

US00D737353S

(12) **United States Design Patent**  
**Hofmann et al.**

(10) **Patent No.:** **US D737,353 S**

(45) **Date of Patent:** **\*\* Aug. 25, 2015**

(54) **MICROSCOPE**

(71) Applicant: **Carl Zeiss Microscopy GmbH**, Jena (DE)

(72) Inventors: **Kerstin Hofmann**, Goettingen (DE); **Axel Laschke**, Waake (DE); **Ilka Schlesiger**, Jena (DE); **Michael Winterot**, Jena (DE); **Martin Stohr**, Jena (DE)

(73) Assignee: **Carl Zeiss Microscopy GmbH**, Jena (DE)

(\*\*) Term: **14 Years**

(21) Appl. No.: **29/494,784**

(22) Filed: **Jun. 24, 2014**

(30) **Foreign Application Priority Data**

Apr. 3, 2014 (EM) ..... 002439794

(51) **LOC (10) Cl.** ..... **16-06**

(52) **U.S. Cl.**  
USPC ..... **D16/131**

(58) **Field of Classification Search**

USPC ..... D16/131; 359/361, 368, 376, 377, 378,  
359/379, 380, 381, 382, 383, 384, 385, 388,  
359/390, 393

See application file for complete search history.

(56) **References Cited**

**U.S. PATENT DOCUMENTS**

3,687,520 A \* 8/1972 Nothnagle et al. .... 359/376  
D439,258 S \* 3/2001 Kawahata ..... D16/131  
D440,996 S \* 4/2001 Takanashi ..... D16/131

D457,178 S \* 5/2002 Knoblich et al. .... D16/131  
D459,744 S \* 7/2002 Apotheloz ..... D16/131  
D546,355 S \* 7/2007 Apotheloz ..... D16/131  
2004/0263960 A1 \* 12/2004 Obuchi ..... 359/385  
2010/0259816 A1 \* 10/2010 Feger ..... 359/385  
2011/0080638 A1 \* 4/2011 Feger ..... 359/385  
2011/0085234 A1 \* 4/2011 Feger ..... 359/363  
2012/0008194 A1 \* 1/2012 Mizuta et al. .... 359/377  
2013/0070336 A1 \* 3/2013 Thomas et al. .... 359/385

**OTHER PUBLICATIONS**

Brochure of Stemi DR, Stemi DV4 and Stemi 2000 Stereomicroscopes, 30 pages, published by Carl Zeiss Microscopy GmbH, Jena, Germany.

Brochure of Stemi 2000 Stereomicroscopes, 6 pages, published by Carl Zeiss Microscopy GmbH, Jena, Germany.

\* cited by examiner

*Primary Examiner* — Derrick Holland

*Assistant Examiner* — Lauren Calve

(74) *Attorney, Agent, or Firm* — Christensen Fonder, P.A.

(57) **CLAIM**

We claim the ornamental design for a microscope, as shown and described.

**DESCRIPTION**

FIG. 1 is a front perspective view of a microscope.

FIG. 2 is a right side elevational view thereof.

FIG. 3 is a left side elevational view thereof.

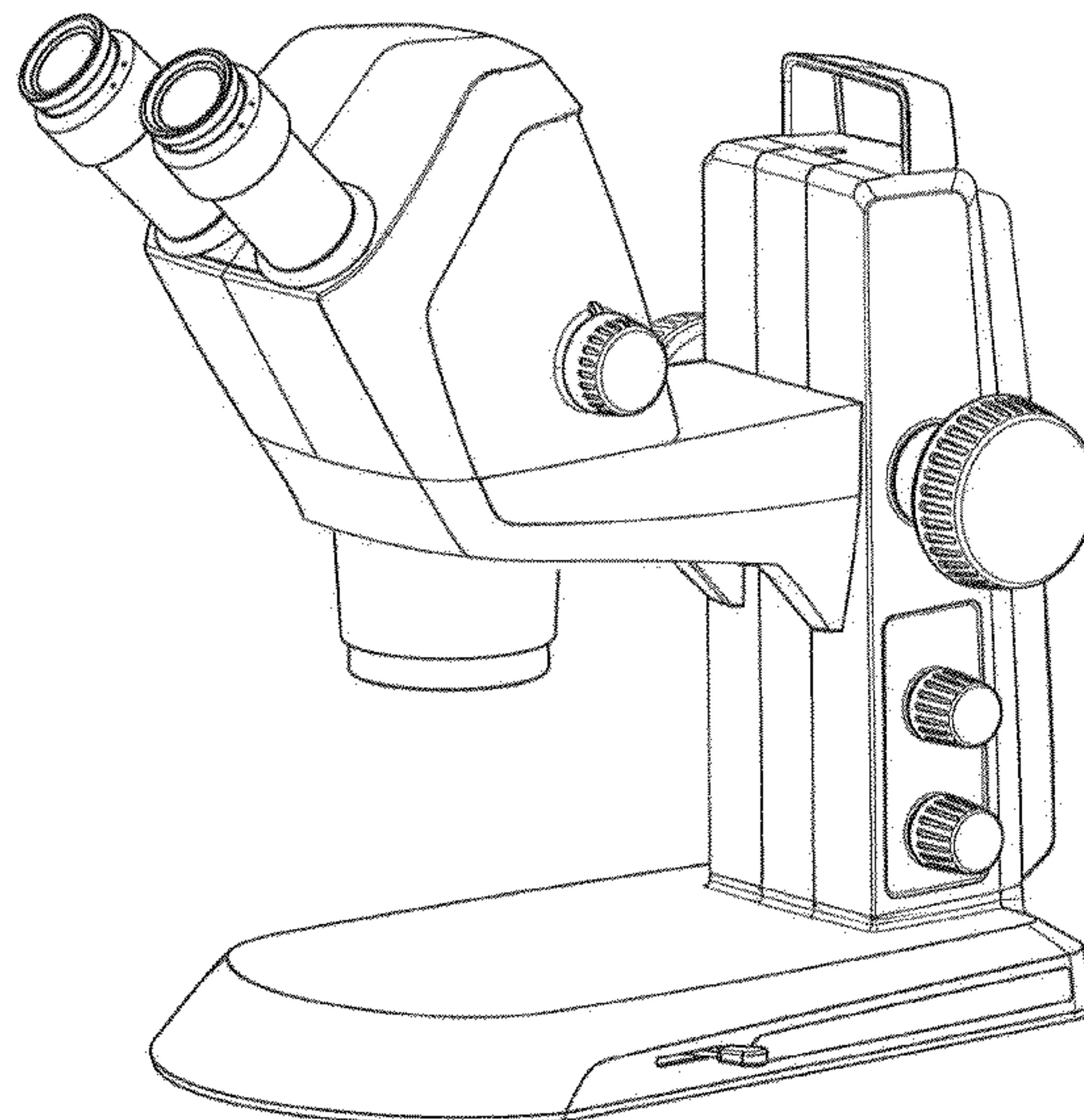
FIG. 4 is a front elevational view thereof.

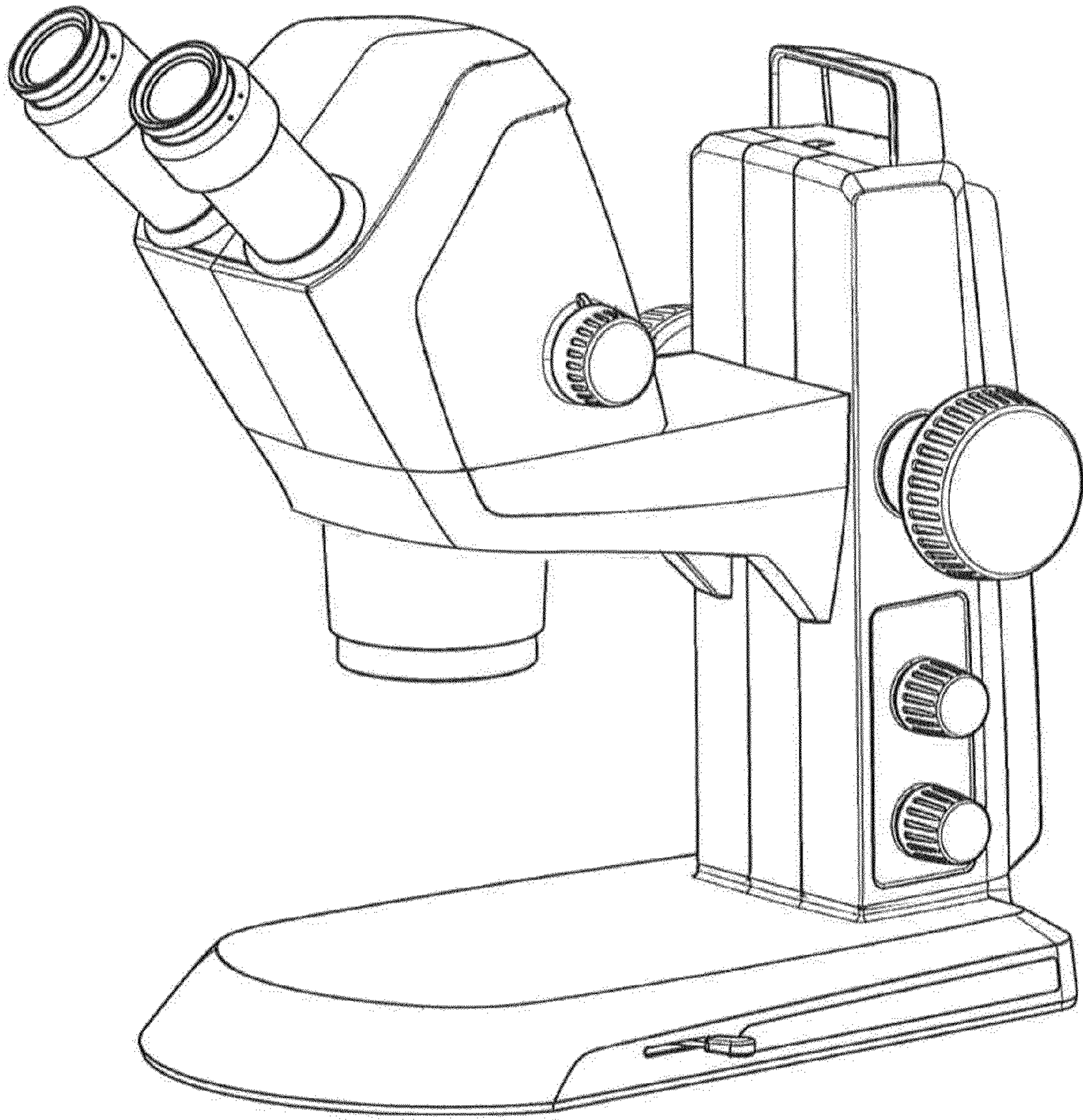
FIG. 5 is a rear elevational view thereof; and,

FIG. 6 is a top plan view thereof.

The bottom side of the microscope forms no part of the claimed design.

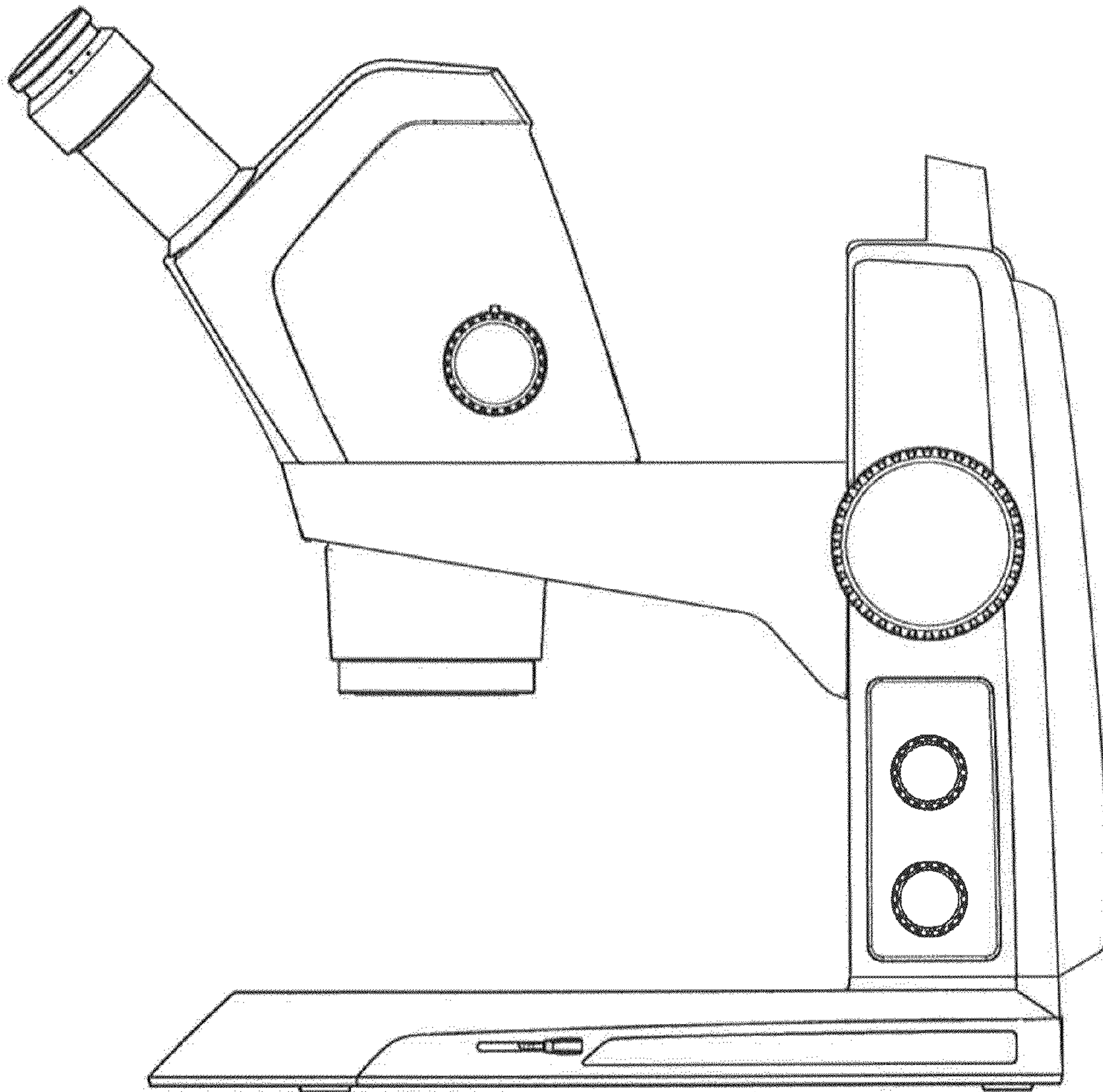
**1 Claim, 6 Drawing Sheets**



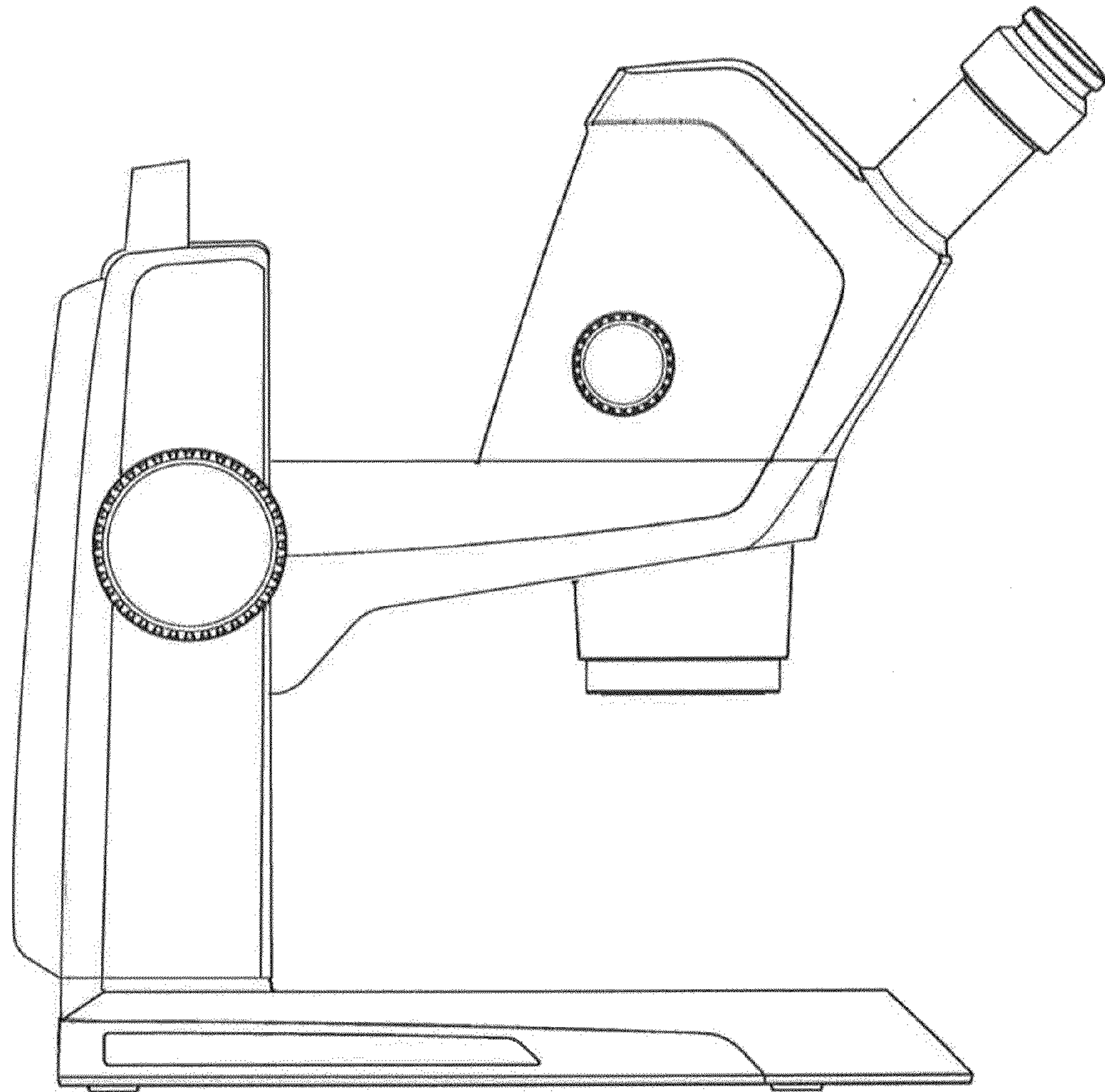


**FIG. 1**



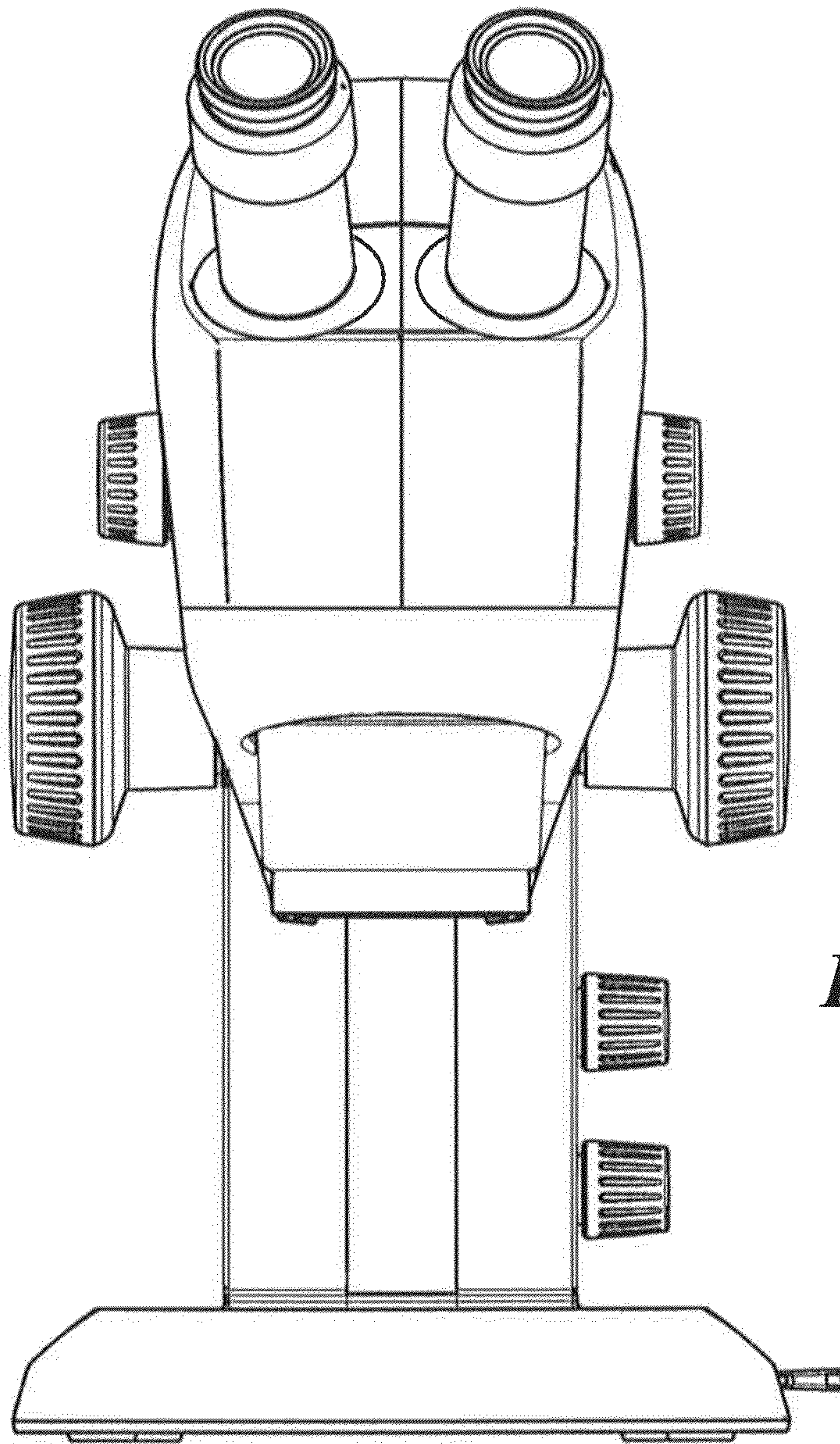


**FIG. 2**

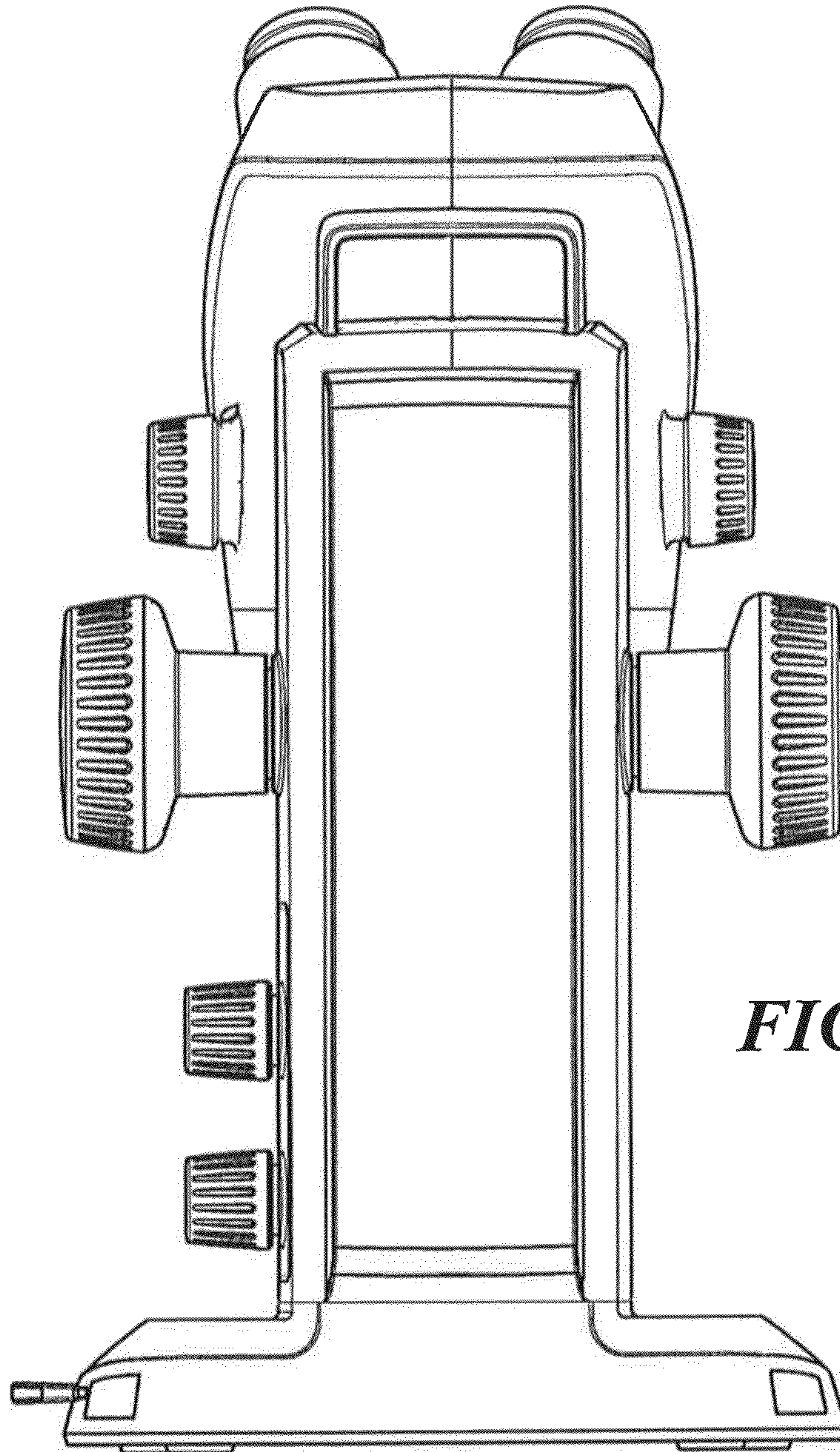


**FIG. 3**



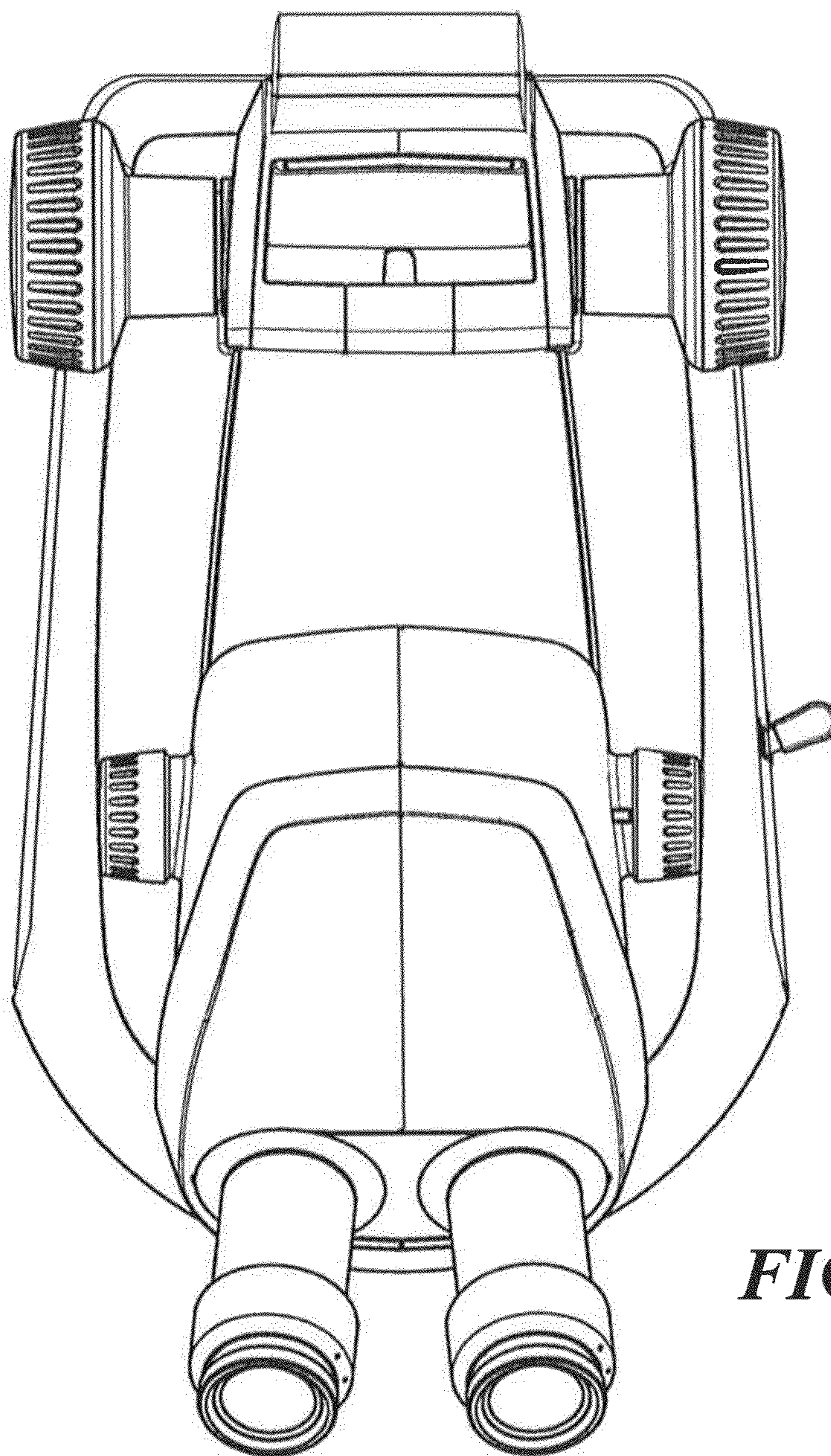


**FIG. 4**



*FIG. 5*





**FIG. 6**