



US00D737352S

(12) **United States Design Patent**
May et al.

(10) **Patent No.:** **US D737,352 S**

(45) **Date of Patent:** **** Aug. 25, 2015**

(54) **SPOOL MOUNT FOR CLIPPERS ON A ROTATING TABLE**

(71) Applicant: **Tipper Tie, Inc.**, Apex, NC (US)

(72) Inventors: **Dennis J. May**, Pittsboro, NC (US);
Kuo-Raid Grant Chen, Cary, NC (US)

(73) Assignee: **Tipper Tie, Inc.**, Apex, NC (US)

(**) Term: **14 Years**

(21) Appl. No.: **29/462,861**

(22) Filed: **Aug. 9, 2013**

(51) **LOC (10) Cl.** **15-09**

(52) **U.S. Cl.**
USPC **D15/145**

(58) **Field of Classification Search**
USPC D8/349; D12/223; D15/145
See application file for complete search history.

(56) **References Cited**

U.S. PATENT DOCUMENTS

2,904,277	A *	9/1959	Underwood	242/597.6
3,738,590	A *	6/1973	Granati	242/130
3,795,085	A *	3/1974	Andre et al.	53/512
4,189,897	A *	2/1980	Ailey et al.	53/434
4,418,447	A *	12/1983	Ziolko	452/46
4,422,223	A *	12/1983	Haines	26/70
4,463,477	A *	8/1984	Ziolko	452/49
4,464,820	A *	8/1984	Haines	29/401.1
4,469,360	A *	9/1984	Drury	293/102
4,821,485	A	4/1989	Evans et al.		

4,865,261	A *	9/1989	Bare et al.	242/486.8
5,020,298	A	6/1991	Evans et al.		
5,218,750	A *	6/1993	Hannula et al.	29/451
5,259,168	A	11/1993	Evans et al.		
D347,013	S *	5/1994	Taguchi et al.	D15/145
5,471,815	A	12/1995	Evans et al.		
5,644,896	A	7/1997	Evans et al.		
D381,833	S *	8/1997	Farndon	D6/409
8,006,463	B2	8/2011	May et al.		
8,746,432	B2	6/2014	May et al.		

* cited by examiner

Primary Examiner — Patricia Palasik

(74) *Attorney, Agent, or Firm* — Myers Bigel Sibley & Sajovec, P.A.

(57) **CLAIM**

The ornamental design for a spool mount for clippers on a rotating table, as shown and described.

DESCRIPTION

FIG. 1 is a top, rear end perspective view of another embodiment of a spool mount for clippers on a rotating table showing our design (the bottom view is disclaimed);

FIG. 2 is a top, opposing front end perspective view thereof;

FIG. 3 is a side view thereof;

FIG. 4 is a front end view thereof;

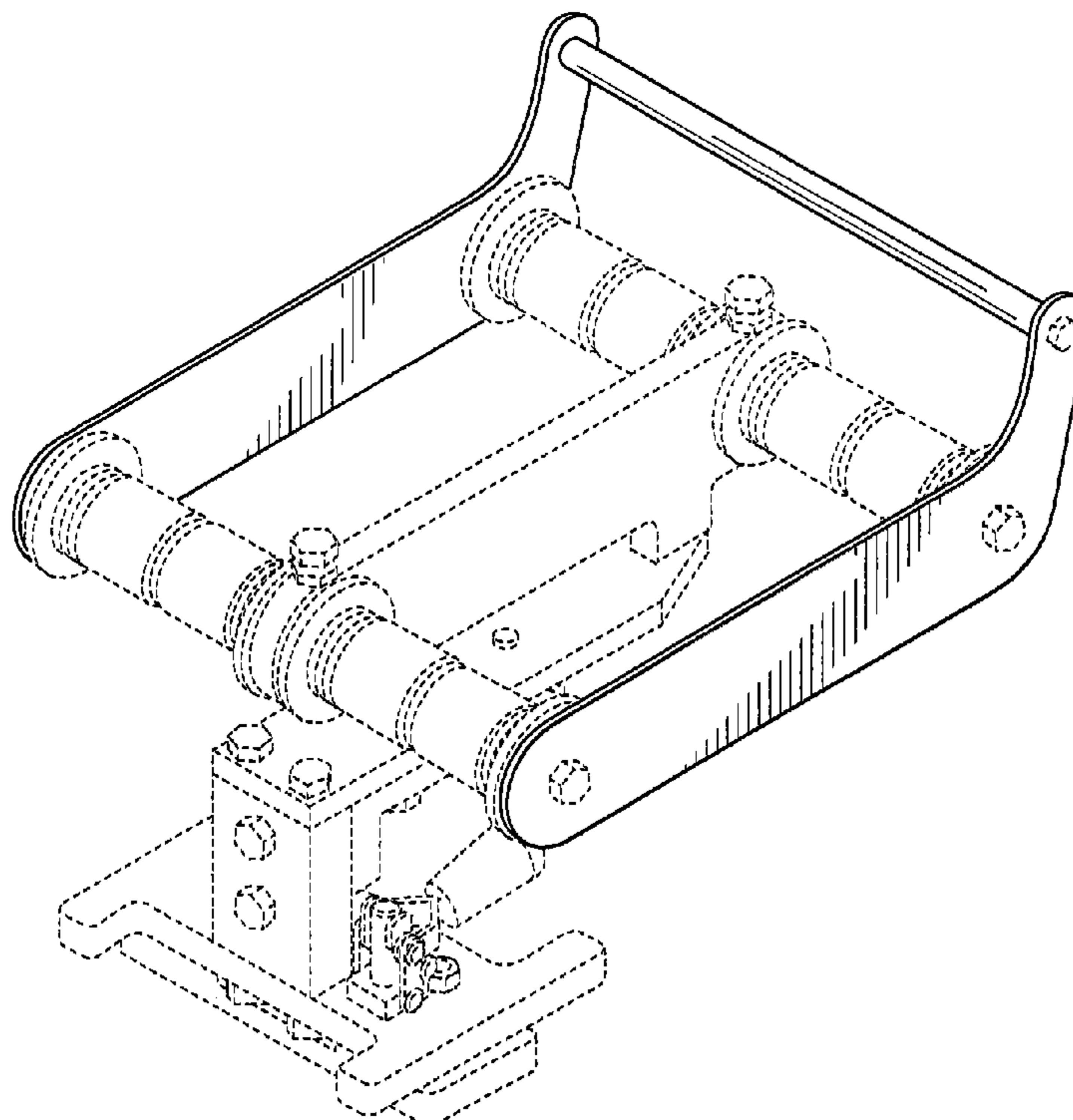
FIG. 5 is a top view thereof;

FIG. 6 is a rear end view thereof; and,

FIG. 7 is an exemplary environmental view illustrating the spool mount in an exemplary position on a rotating table and holding spools of clips to feed clips to a clipper.

The broken lines shown herein are for illustrative purposes only and form no part of the claimed design.

1 Claim, 4 Drawing Sheets



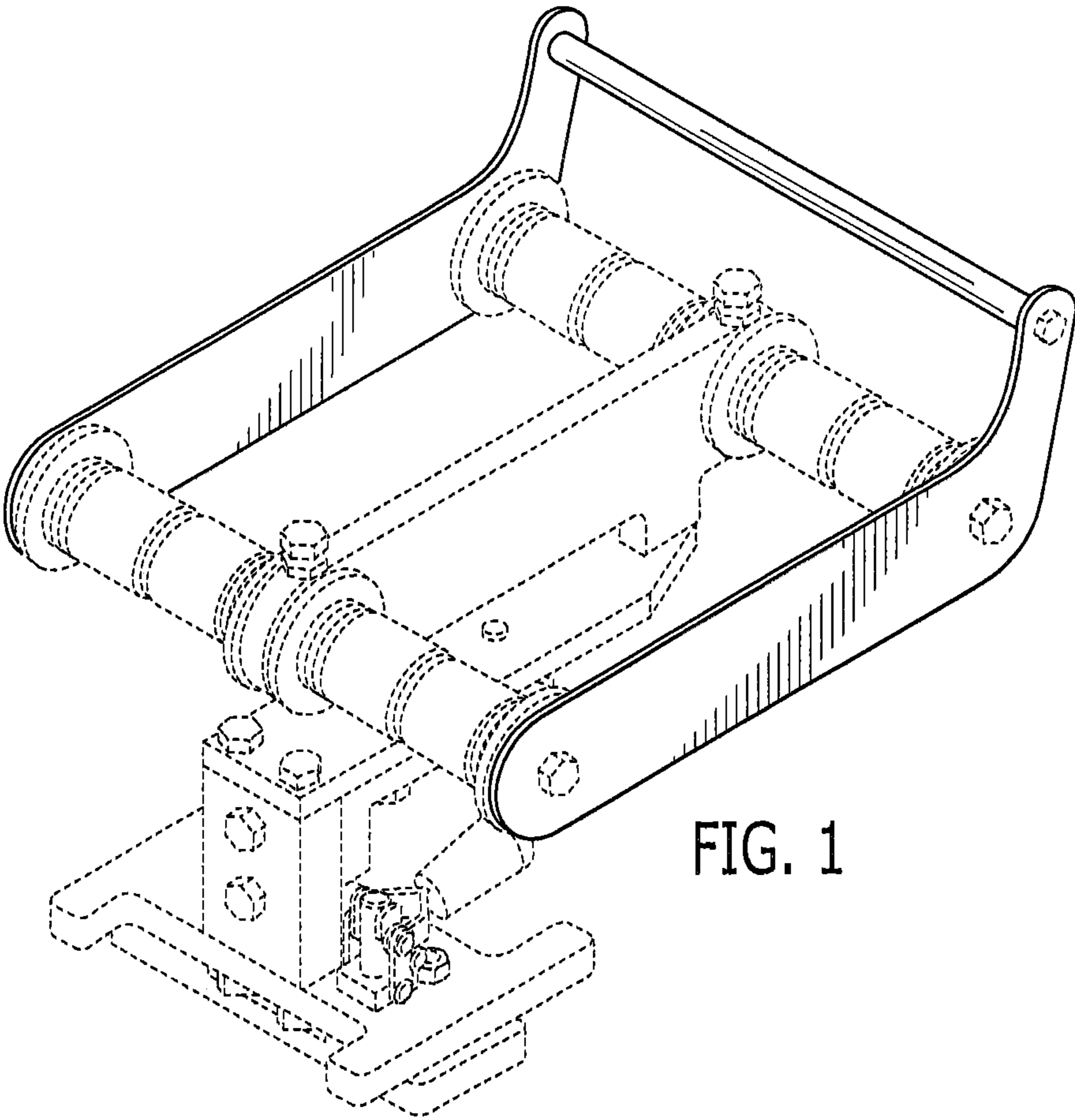


FIG. 1

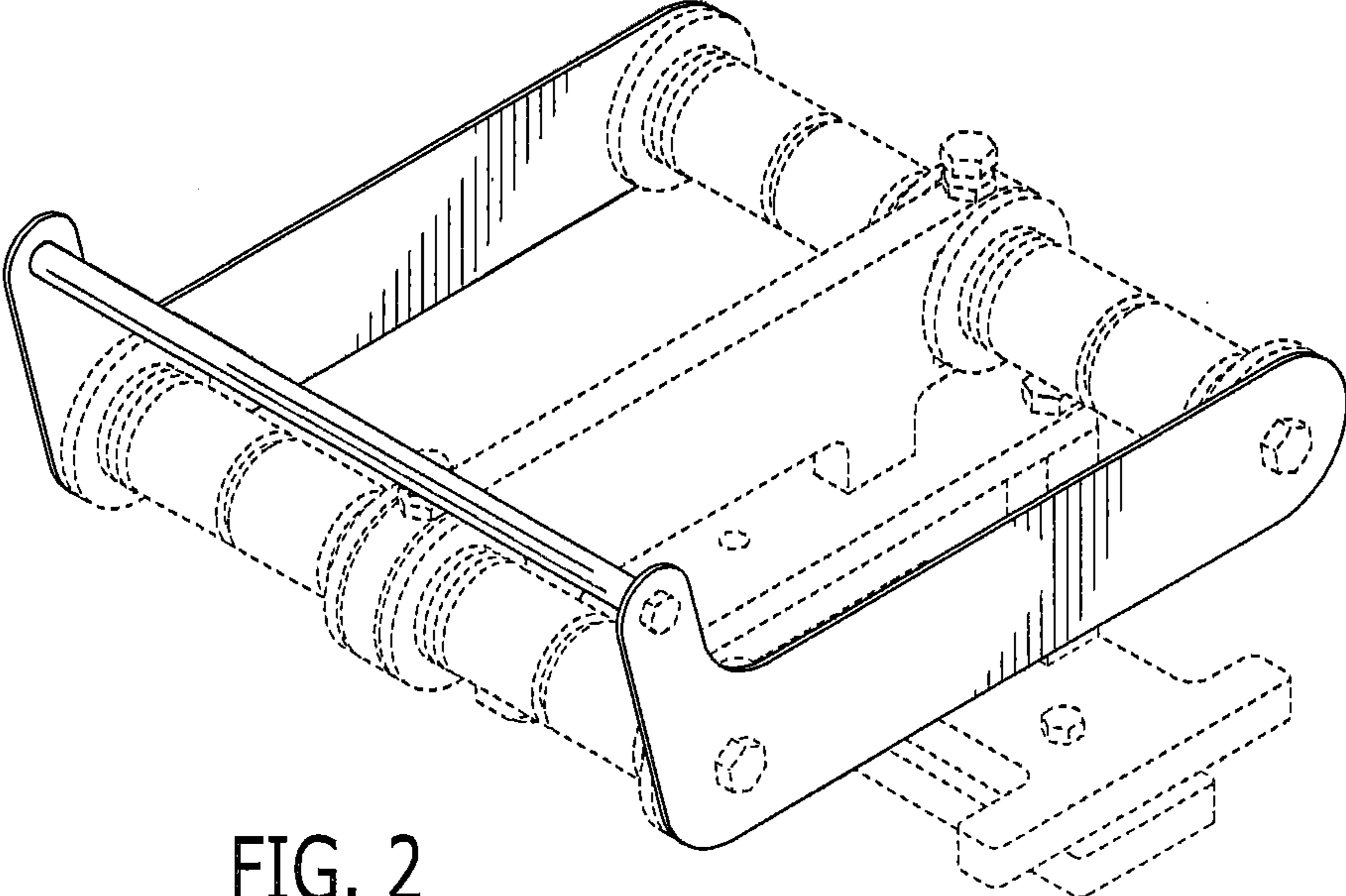


FIG. 2

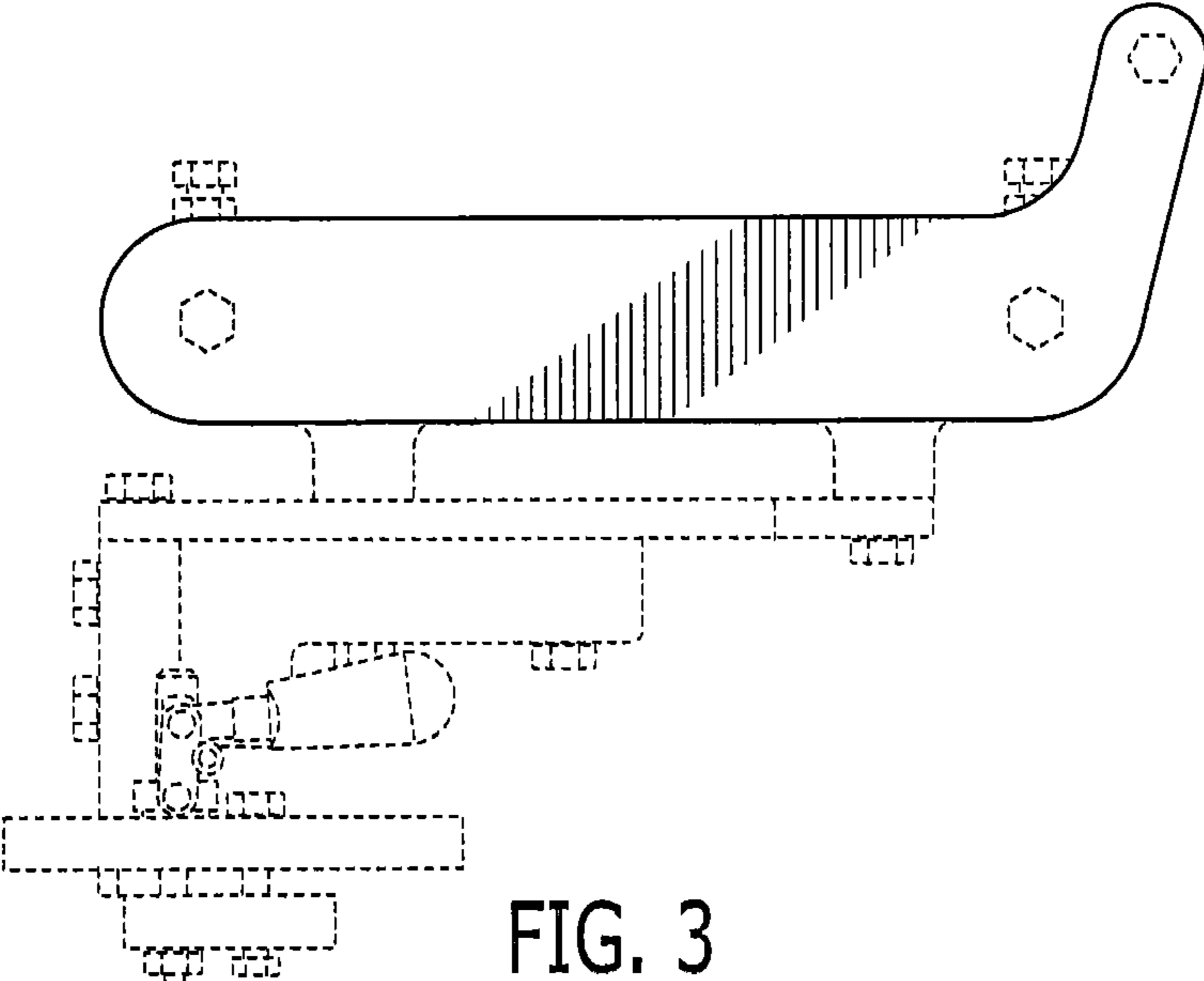


FIG. 3

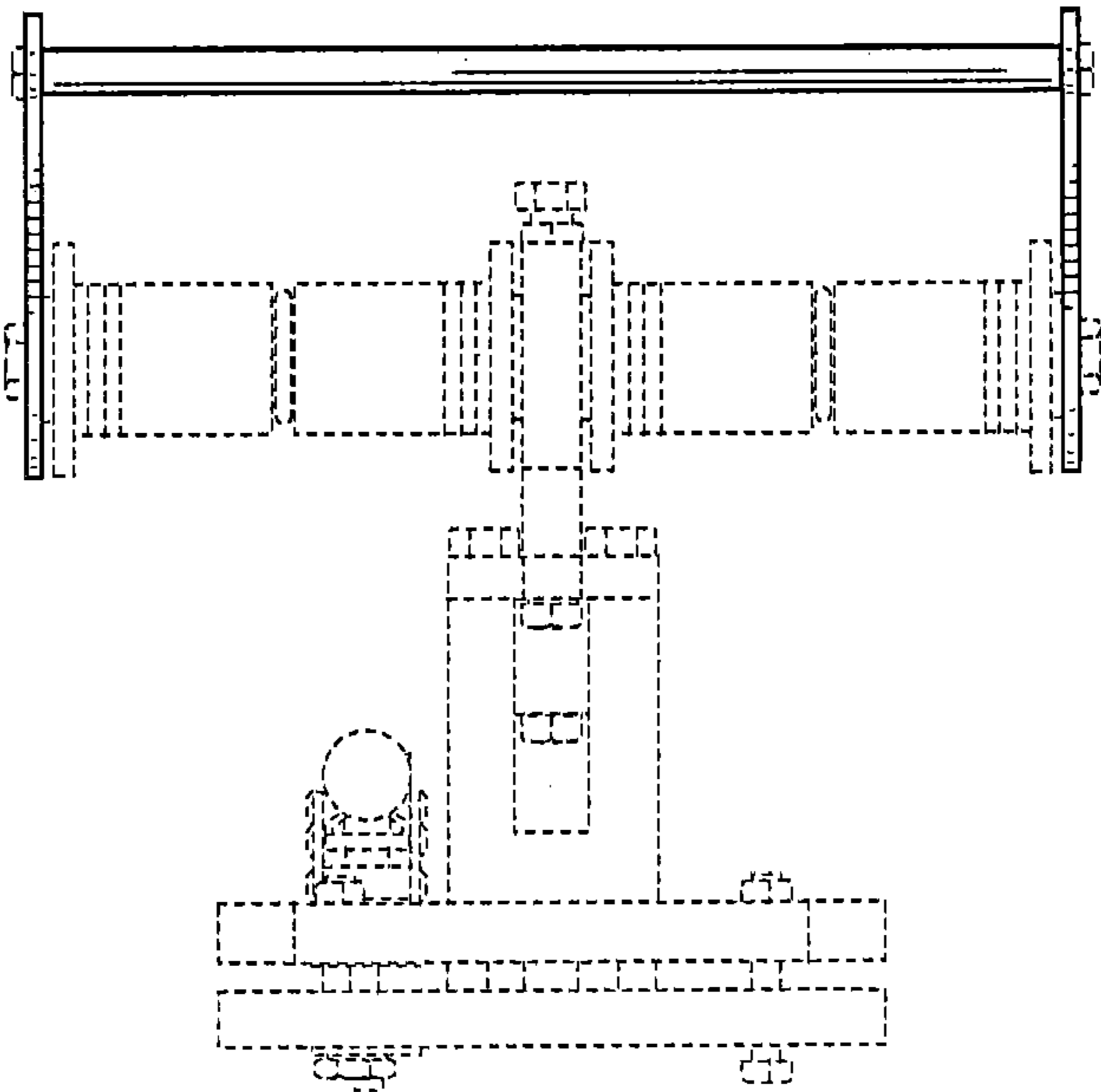


FIG. 4

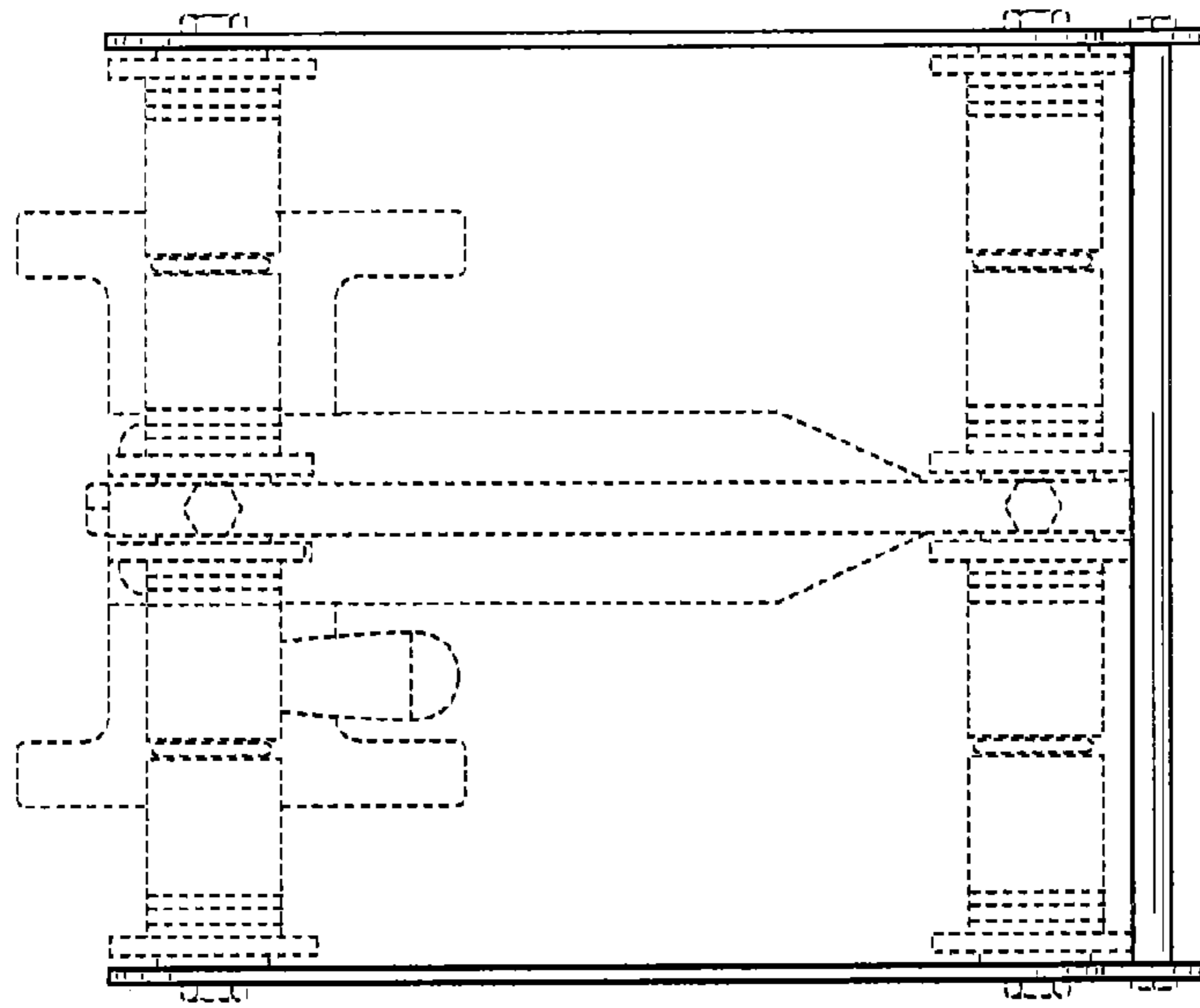


FIG. 5

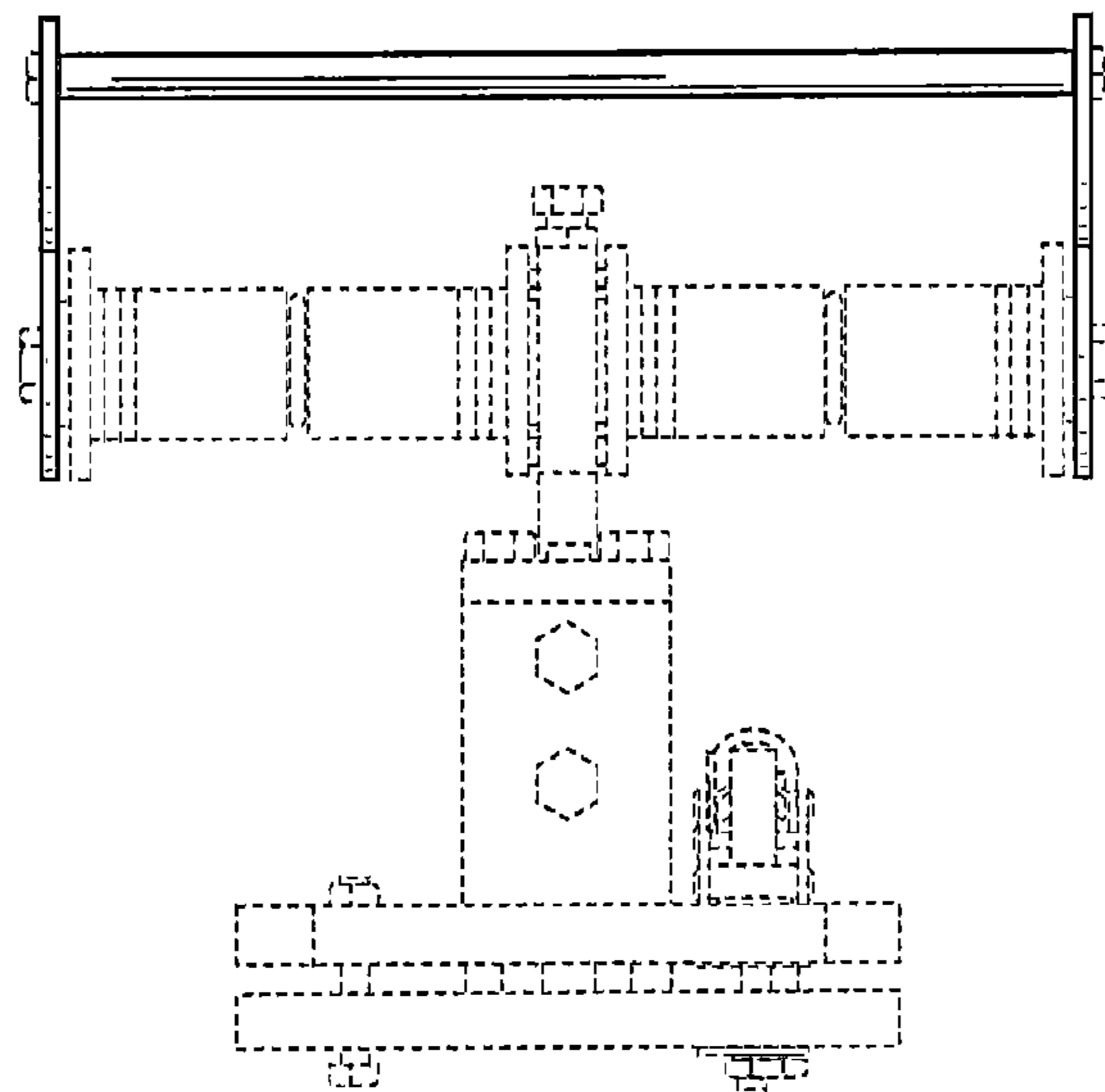


FIG. 6

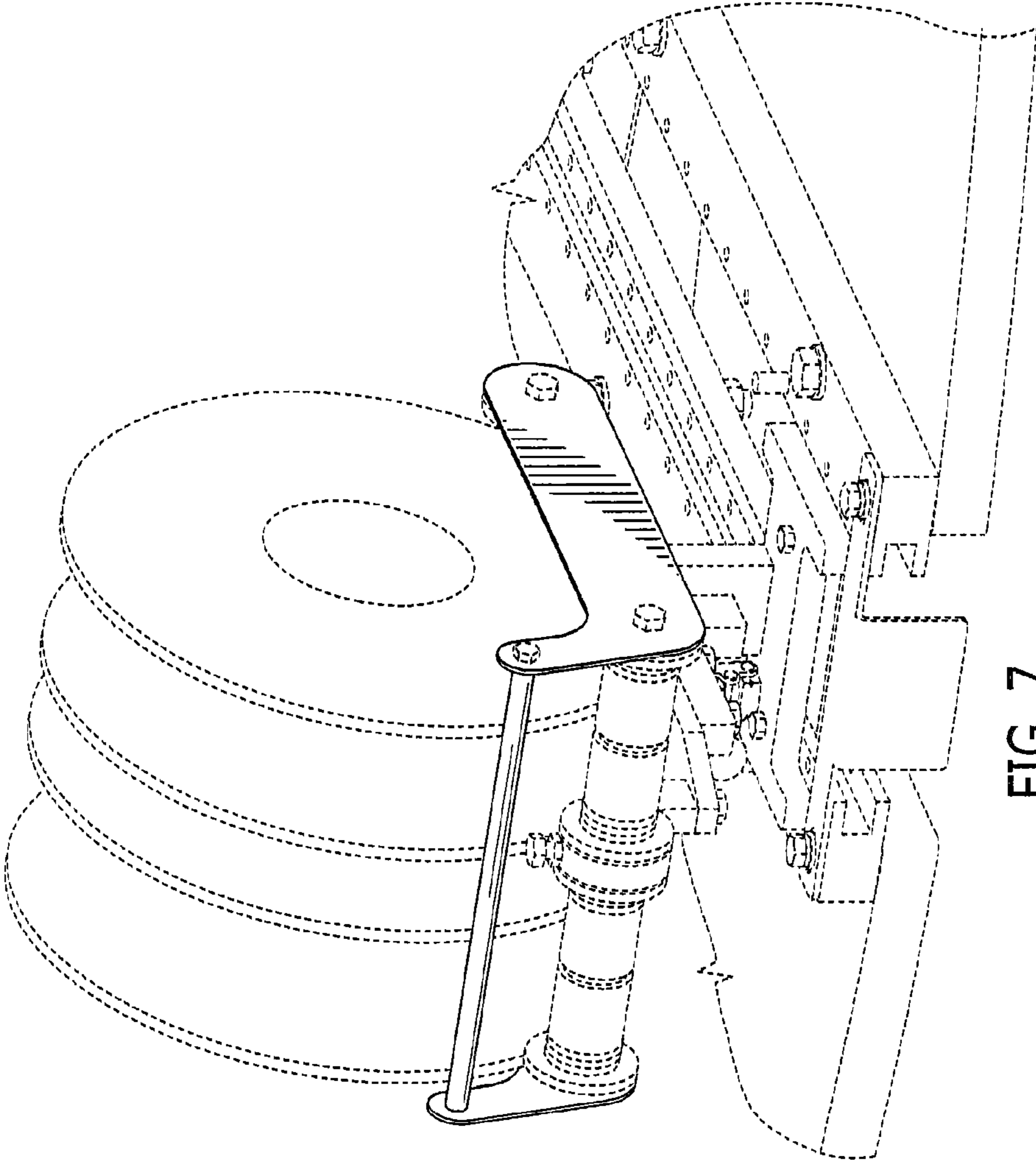


FIG. 7