

US00D737351S

(12) **United States Design Patent**
Gargallo et al.

(10) **Patent No.:** **US D737,351 S**

(45) **Date of Patent:** **** Aug. 25, 2015**

(54) **CERAMIC CUTTER**

(71) Applicant: **GERMANS BOADA S.A.**, Barcelona (ES)

(72) Inventors: **Alex Roselló Gargallo**, Barcelona (ES);
Carles Gamisans Berenguer, Barcelona (ES)

(73) Assignee: **GERMANS BOADA, S.A.**, Barcelona (ES)

(**) Term: **14 Years**

(21) Appl. No.: **29/490,815**

(22) Filed: **May 13, 2014**

(51) **LOC (10) Cl.** **15-09**

(52) **U.S. Cl.**
USPC **D15/127**

(58) **Field of Classification Search**
USPC D15/127
See application file for complete search history.

(56) **References Cited**

U.S. PATENT DOCUMENTS

D291,578	S	*	8/1987	Hepworth	D15/127
D331,762	S	*	12/1992	Matt	D15/127
D359,435	S	*	6/1995	Joecker, Jr.	D8/98
D422,607	S	*	4/2000	Turner et al.	D15/127
6,047,871	A	*	4/2000	Chen	225/96.5
6,053,159	A	*	4/2000	Liu	125/23.02
D424,585	S	*	5/2000	Torrents Comas	D15/127

D434,782	S	*	12/2000	Comas	D15/127
6,164,272	A	*	12/2000	Fouy	125/12
D476,213	S	*	6/2003	Hepworth	D8/98
6,935,544	B2	*	8/2005	Torrents I Comas	225/96.5
6,953,036	B2	*	10/2005	Ishii	125/23.02
7,013,785	B2	*	3/2006	Torrents I Comas	83/886
D533,426	S	*	12/2006	Torrents Comas	D8/98
D541,127	S	*	4/2007	Yang	D8/98
7,434,576	B2	*	10/2008	Hwang	125/23.02
D597,568	S	*	8/2009	I Comas	D15/127
D638,864	S	*	5/2011	Comas	D15/127
2003/0029433	A1	*	2/2003	Hepworth	125/23.02
2005/0016518	A1	*	1/2005	Ishii	125/23.02

* cited by examiner

Primary Examiner — Patricia Palasik

(74) *Attorney, Agent, or Firm* — Baker and Rannells, PA

(57) **CLAIM**

The ornamental design for ceramic cutter, as shown and described.

DESCRIPTION

FIG. 1 is an isometric view of ceramic cutter in accordance with the new design;

FIG. 2 is a front elevational view thereof;

FIG. 3 is a rear elevational view thereof;

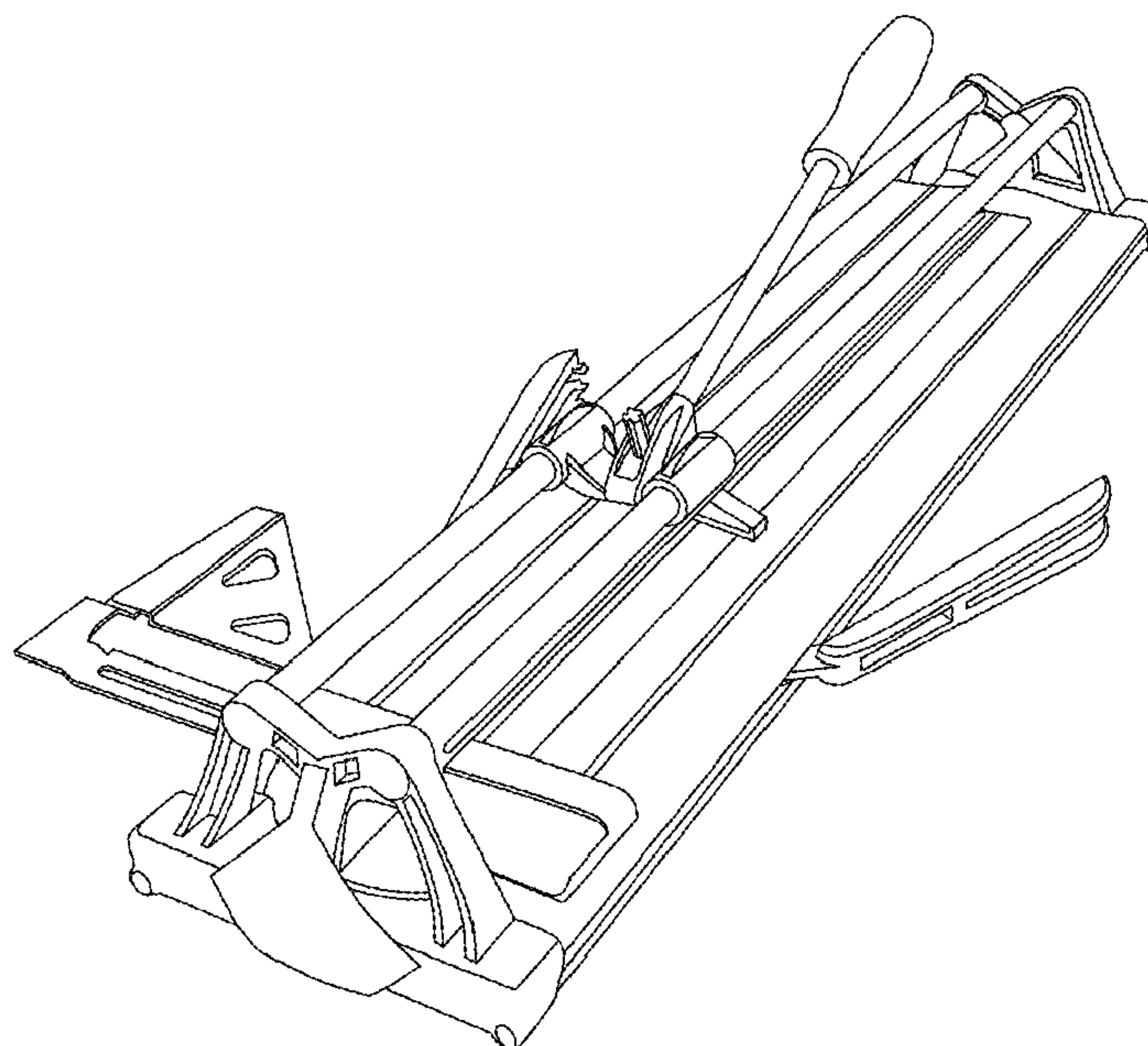
FIG. 4 is a right side elevational view thereof;

FIG. 5 is a left side elevational view thereof;

FIG. 6 is a top plan view thereof; and,

FIG. 7 is a bottom plan view thereof.

1 Claim, 4 Drawing Sheets



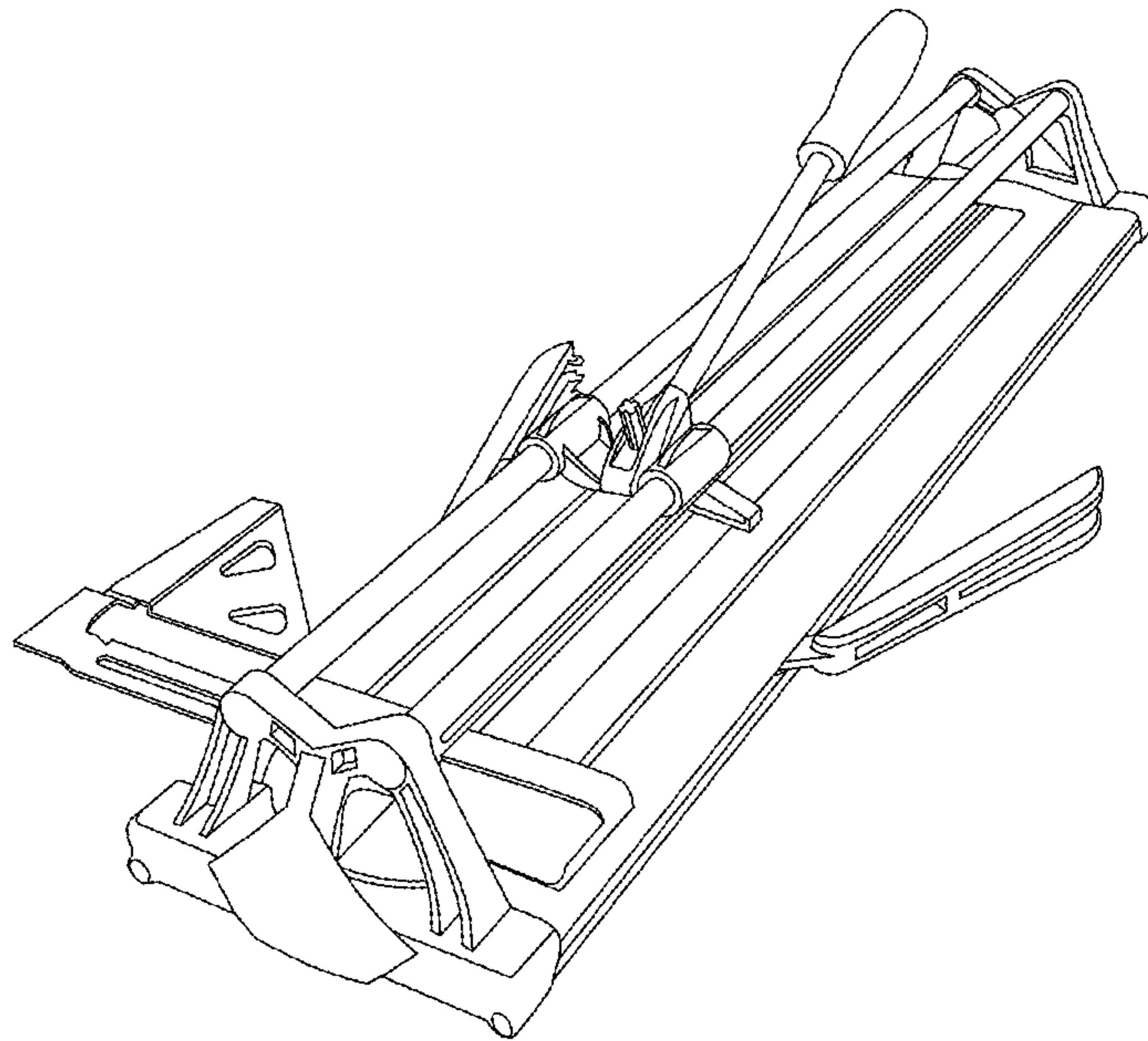


Fig. 1

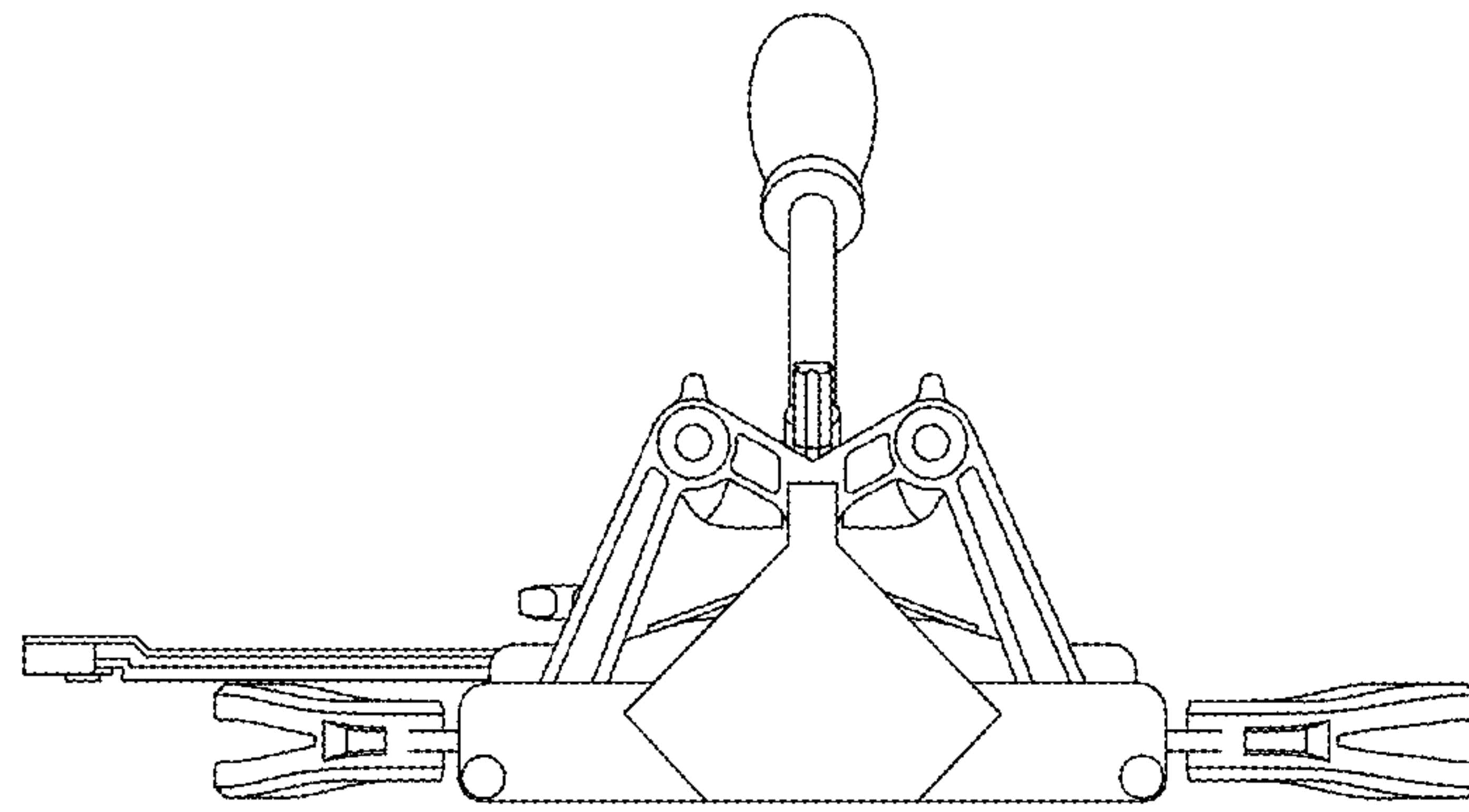


Fig. 2

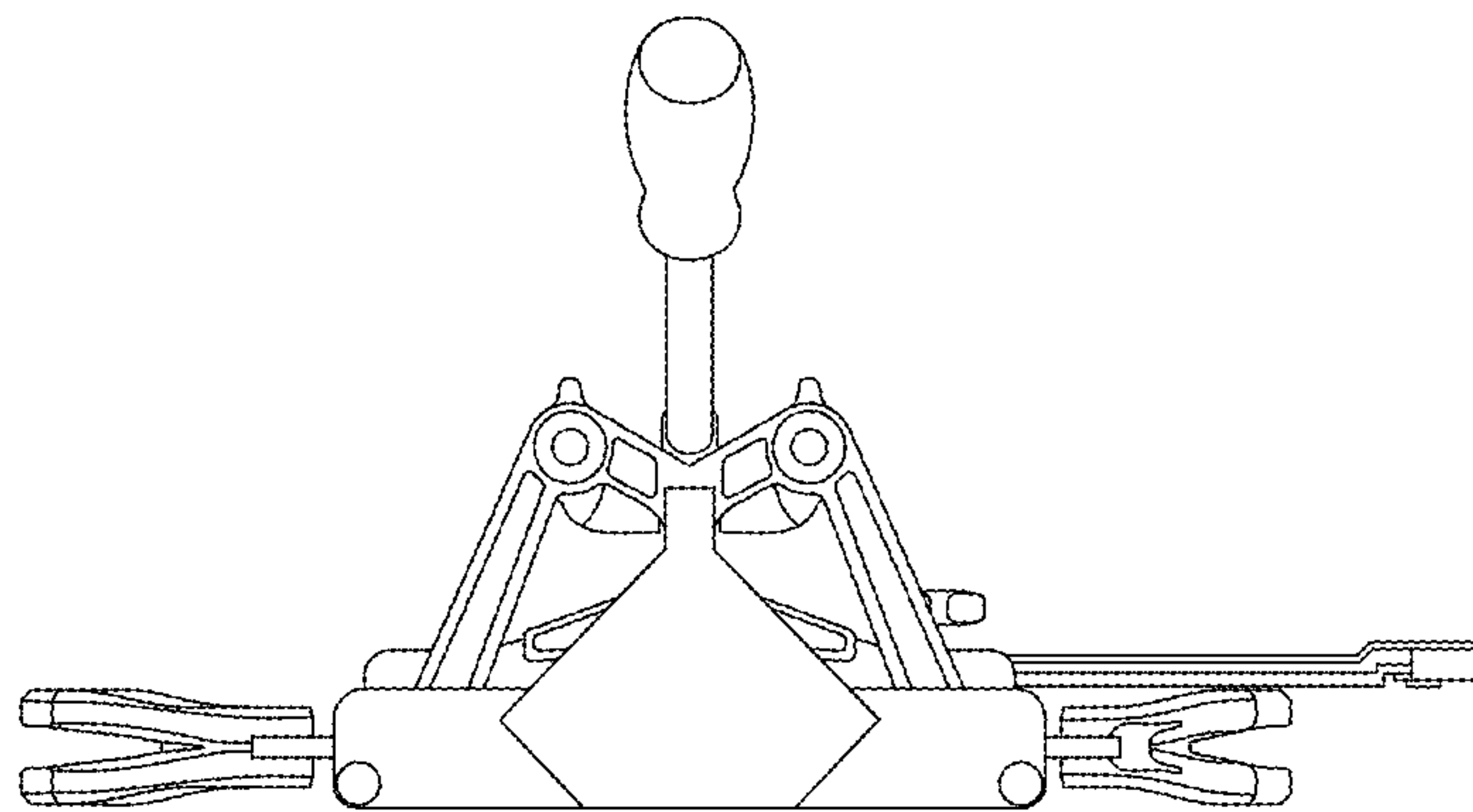


Fig. 3

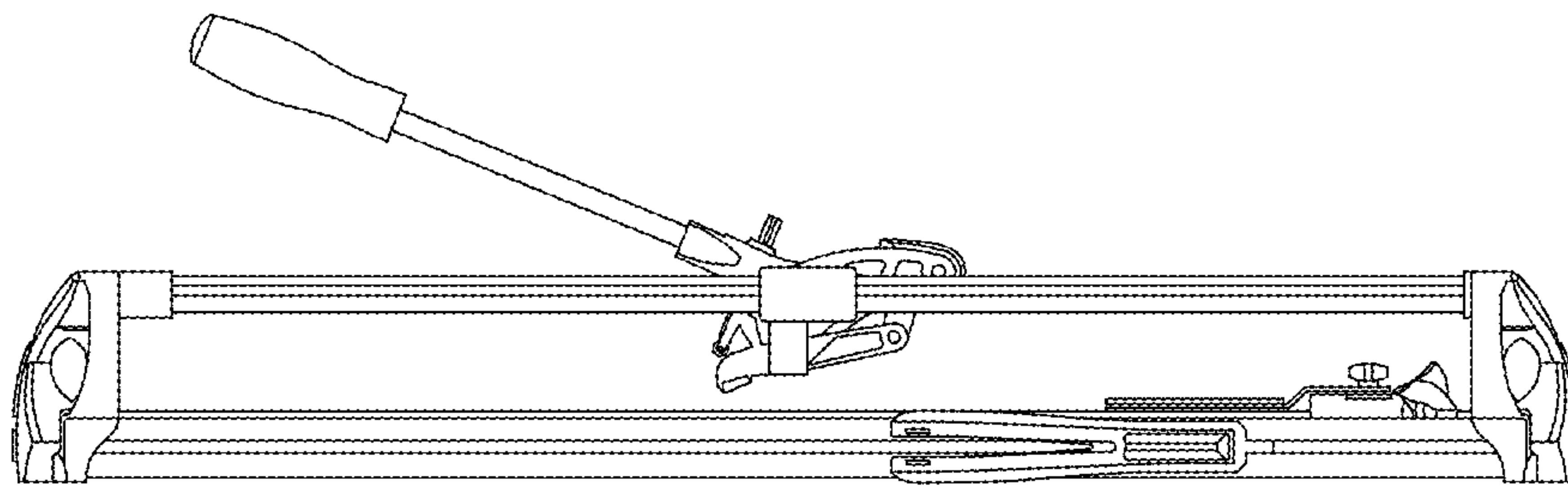


Fig. 4

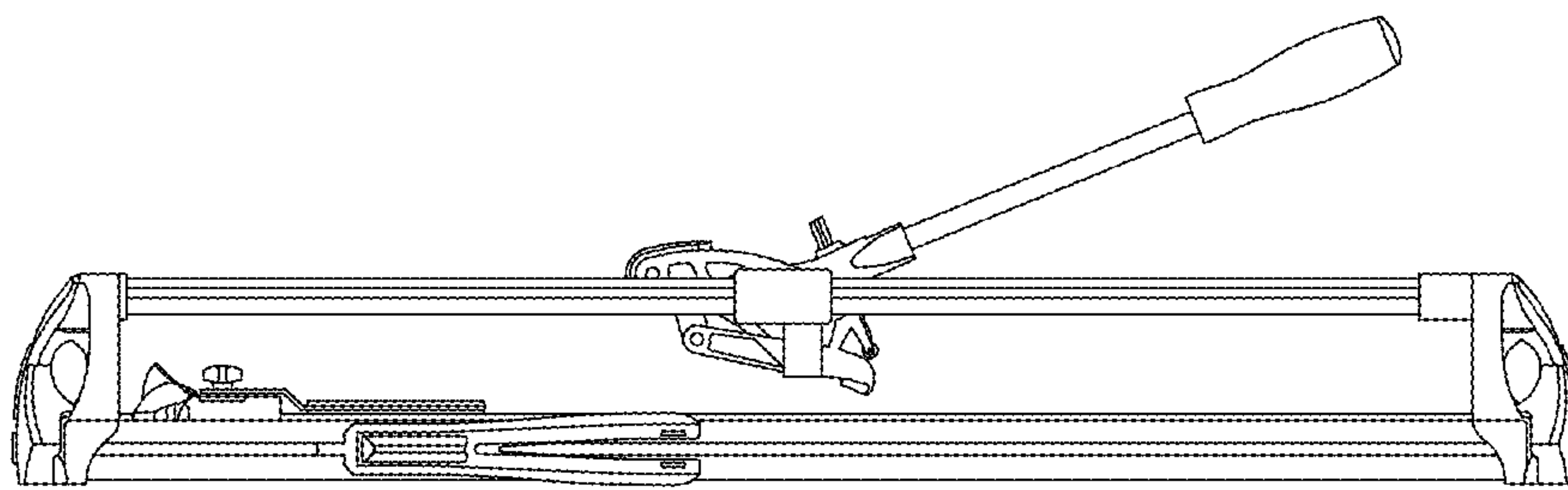


Fig. 5

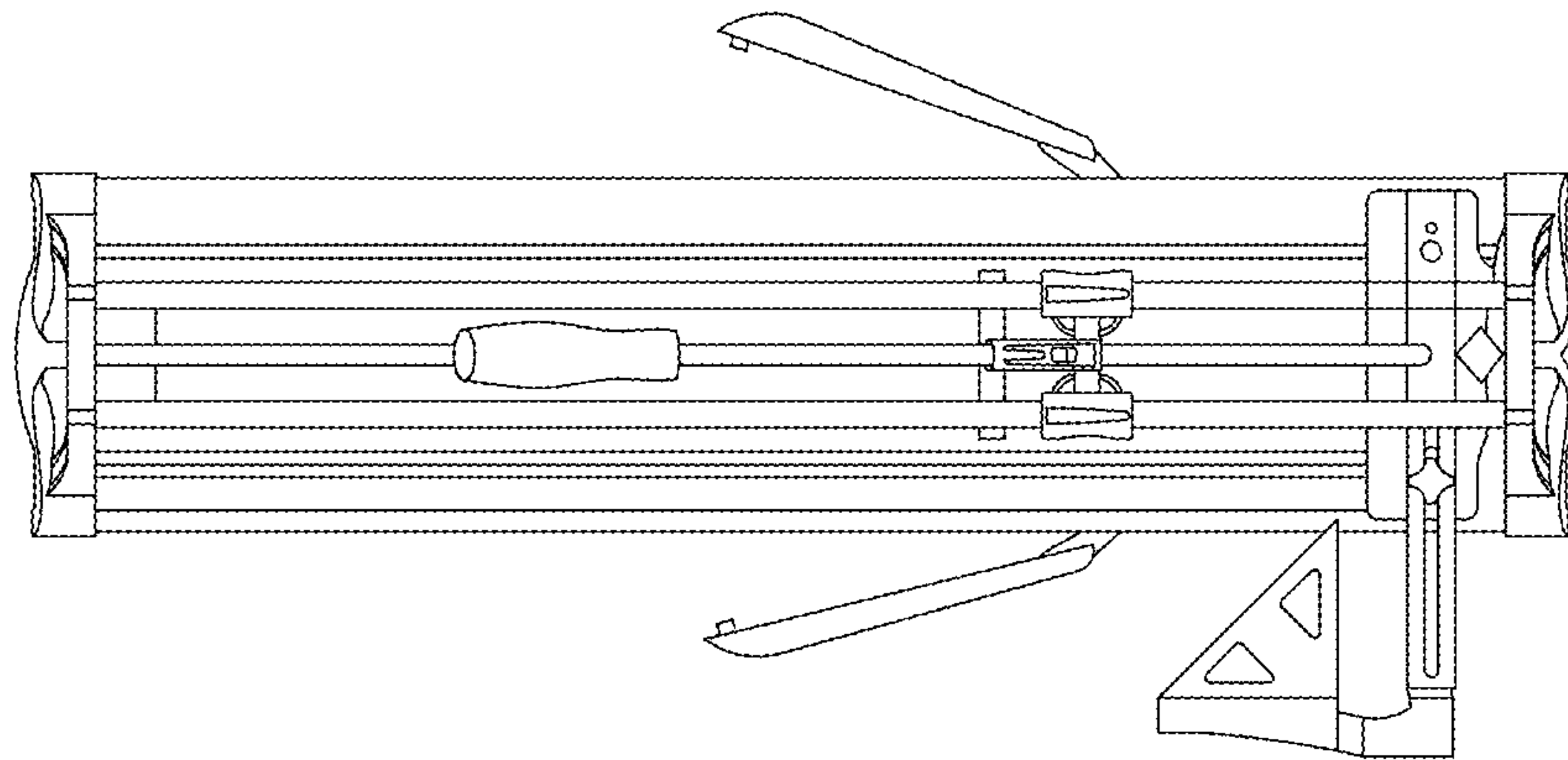


Fig. 6

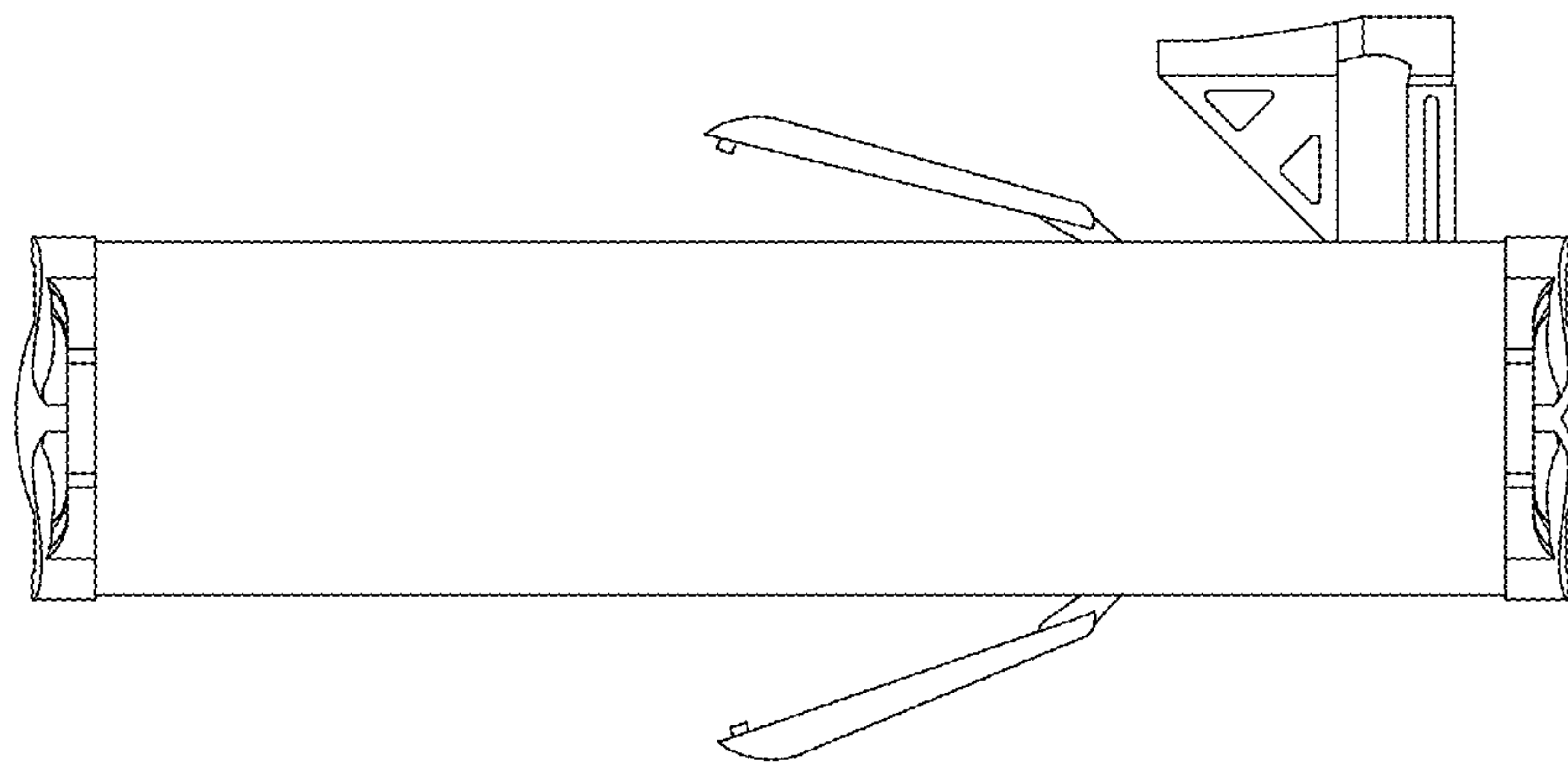


Fig. 7