



US00D737347S

(12) **United States Design Patent**
Anantha et al.

(10) **Patent No.:** **US D737,347 S**

(45) **Date of Patent:** **** Aug. 25, 2015**

(54) **FILAMENT SPOOL HOLDER FOR
THREE-DIMENSIONAL PRINTER**

(71) Applicant: **MakerBot Industries, LLC**, Brooklyn,
NY (US)

(72) Inventors: **Vishnu Anantha**, Brooklyn, NY (US);
Jackson Seidenberg, Brooklyn, NY
(US); **Taylor S. Goodman**, New York,
NY (US); **Marguerite Siboni**, San
Francisco, CA (US); **Amanda I. Couto**,
Brooklyn, NY (US); **William B. Buel**,
Sunnyvale, CA (US)

(73) Assignee: **MakerBot Industries, LLC**, Brooklyn,
NY (US)

(**) Term: **14 Years**

(21) Appl. No.: **29/478,424**

(22) Filed: **Jan. 5, 2014**

(51) **LOC (10) Cl.** **15-09**

(52) **U.S. Cl.**
USPC **D15/122; D14/475**

(58) **Field of Classification Search**
USPC D15/122, 138, 140; D14/475, 366, 367,
D14/442, 478, 260.1, 161, 484, 496;
D23/370, 411; D8/358, 359, 356, 308;
D22/137, 140; D12/206; D3/34;
242/118.7, 159, 171, 476.6, 608.8,
242/614.1; 206/412; 137/355.27; 254/213;
264/308

CPC B29C 37/00; B29C 37/0003; B29C 37/0053;
B29C 31/00; B29C 31/002; B29C 31/02;
B29C 31/04; B29C 67/0055; B29C 67/0085;
B65H 2701/52; B65H 49/322; B65H 63/036;
B65H 63/086; B65H 75/28

See application file for complete search history.

(56) **References Cited**

U.S. PATENT DOCUMENTS

2,106,726	A *	2/1938	Draeger	206/389
2,160,710	A *	5/1939	Roehrl	396/511
3,279,590	A *	10/1966	Gould et al.	242/588.6
D212,761	S *	11/1968	Gelardi et al.	D14/475
D230,991	S *	3/1974	Catto et al.	D14/475
D260,514	S *	9/1981	Gell	D14/475
D264,842	S *	6/1982	Daniels et al.	D14/367
D270,055	S *	8/1983	Irwin et al.	D14/367
D270,348	S *	8/1983	Irwin et al.	D14/367
D281,321	S *	11/1985	Wright	D14/367
4,561,085	A *	12/1985	Funabashi	720/607
4,773,614	A *	9/1988	Makino et al.	242/347
5,139,210	A *	8/1992	Schaffer	242/129
5,174,520	A *	12/1992	Iwahashi	242/608.8
D358,141	S *	5/1995	Pecone et al.	D14/367
D366,471	S *	1/1996	Ito et al.	D14/366
D367,278	S *	2/1996	Moriwaki et al.	D14/260.1
5,492,284	A *	2/1996	Sorensen	242/348.2
5,586,651	A *	12/1996	Krummenacher	206/310
5,590,769	A *	1/1997	Lin	206/308.1
D385,261	S *	10/1997	Akiba	D14/260.1
5,762,281	A *	6/1998	Foley	242/376
D418,128	S *	12/1999	Ellis et al.	D14/478

(Continued)

Primary Examiner — Susan Bennett Hattan

Assistant Examiner — Marie Fast Horse

(74) *Attorney, Agent, or Firm* — Strategic Patents, P.C.

(57) **CLAIM**

What is claimed is the ornamental design for a filament spool holder for three-dimensional printer, as shown.

DESCRIPTION

FIG. 1 is a front perspective view of a design for a filament spool holder for three-dimensional printer.

FIG. 2 is a rear perspective view of the design.

FIG. 3 is a left side view of the design.

FIG. 4 is a right side view of the design.

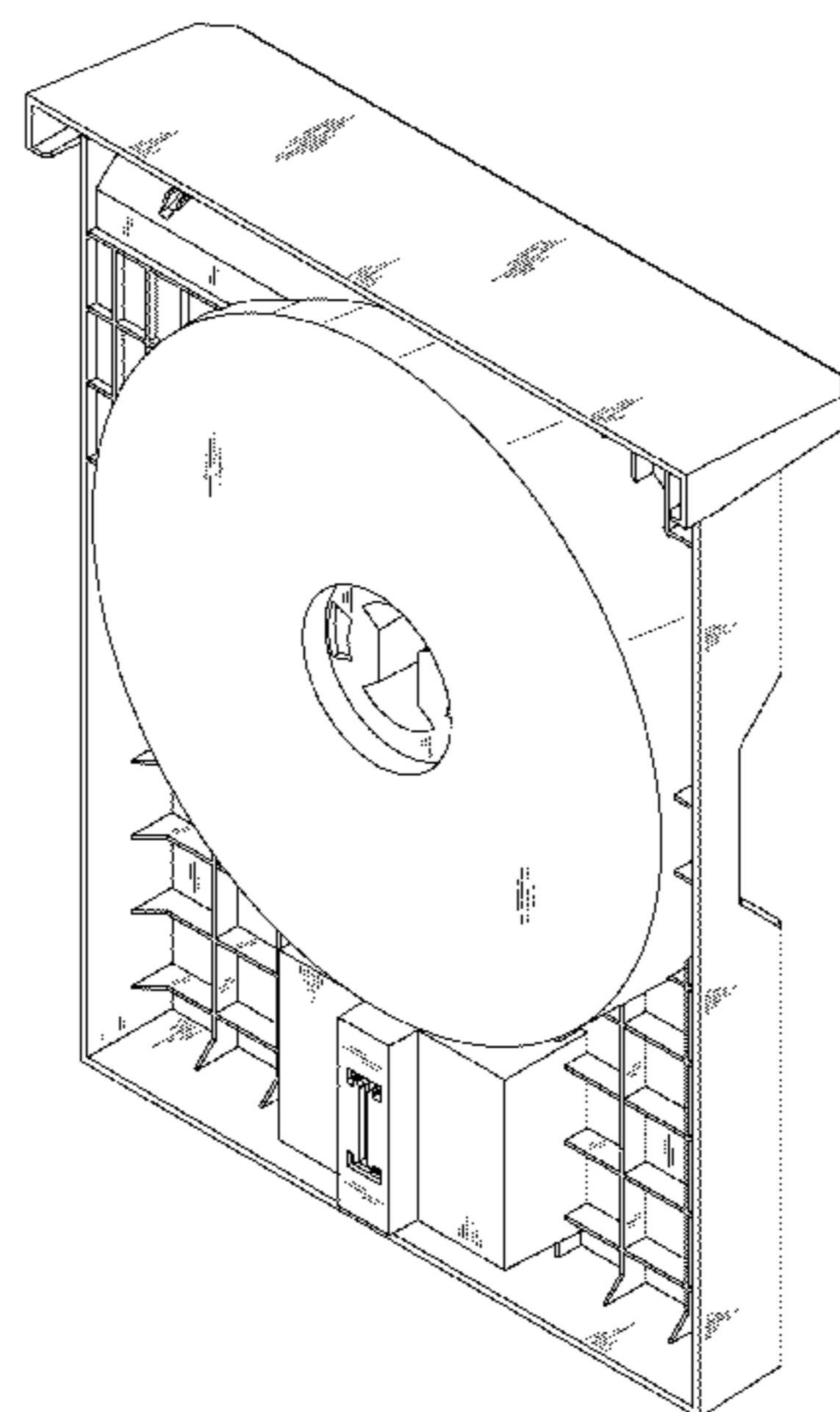
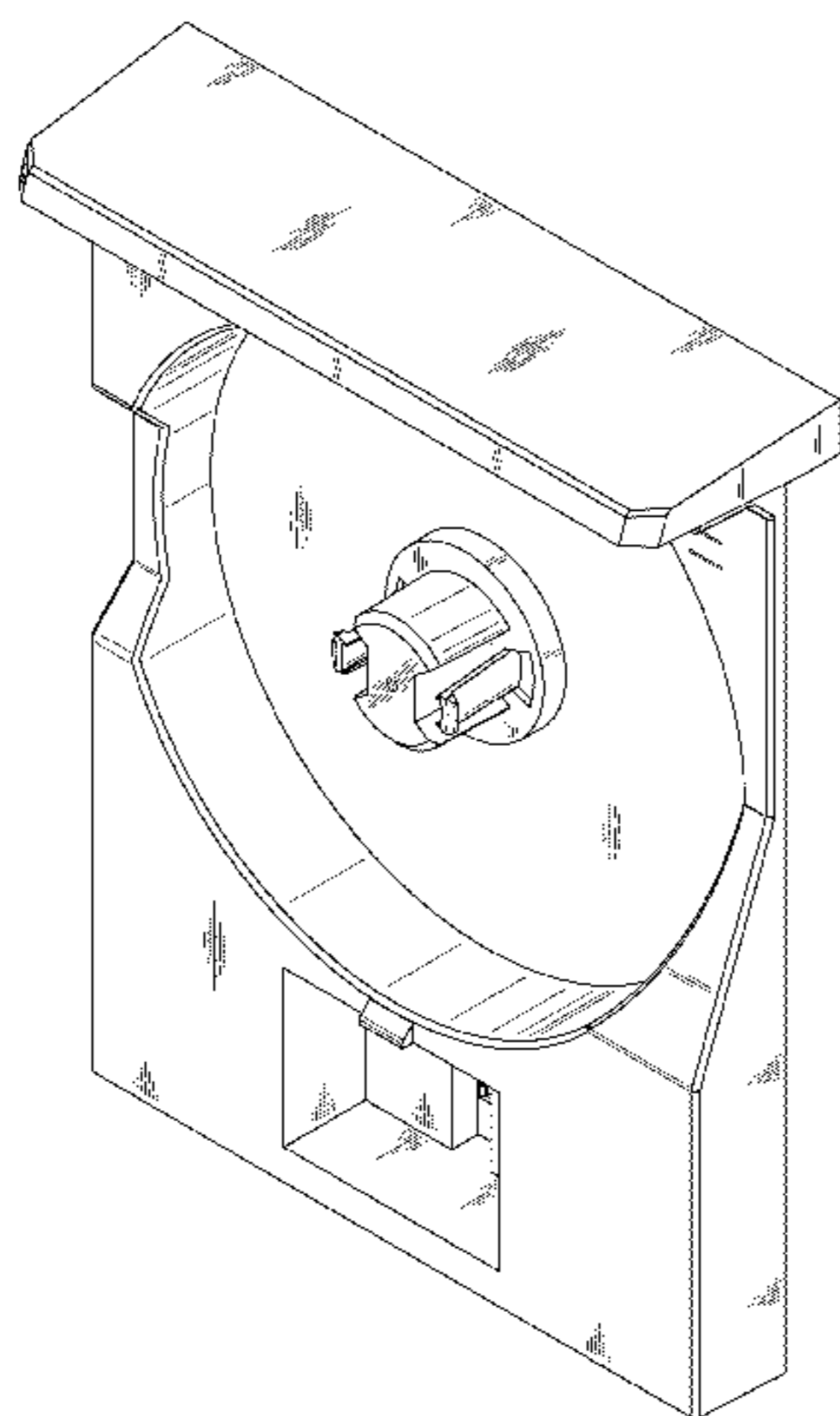
FIG. 5 is a front view of the design.

FIG. 6 is a back view of the design.

FIG. 7 is a top view of the design; and,

FIG. 8 is a bottom view of the design.

1 Claim, 6 Drawing Sheets



(56)

References Cited

U.S. PATENT DOCUMENTS

6,074,583	A *	6/2000	Ingram	264/40.5	D723,561	S *	3/2015	Buel et al.	D14/420
D434,394	S *	11/2000	Hsieh	D13/179	2001/0030383	A1 *	10/2001	Swanson et al.	264/308
D436,111	S *	1/2001	Hahn et al.	D14/475	2002/0047063	A1 *	4/2002	Kaneda et al.	242/348
6,280,103	B1 *	8/2001	Zawodny et al.	396/515	2002/0139885	A1 *	10/2002	Watson	242/171
6,446,799	B1 *	9/2002	Simba	206/308.1	2003/0058778	A1 *	3/2003	Lin	369/247
D481,034	S *	10/2003	Okano et al.	D14/260.1	2003/0122027	A1 *	7/2003	Bootsman et al.	242/557
D486,906	S *	2/2004	Xiao et al.	D23/411	2004/0052192	A1 *	3/2004	Chen	369/75.1
D493,462	S *	7/2004	Wang	D14/366	2004/0052193	A1 *	3/2004	Hsieh et al.	369/75.2
D495,690	S *	9/2004	Lin	D14/260.1	2004/0136845	A1 *	7/2004	Hsieh	417/423.1
D497,164	S *	10/2004	Wang	D14/366	2004/0194118	A1 *	9/2004	Chang et al.	720/610
D502,941	S *	3/2005	Nakata et al.	D14/260.1	2005/0039201	A1 *	2/2005	Hsu	720/657
D506,997	S *	7/2005	Matsui et al.	D14/260.1	2005/0044556	A1 *	2/2005	Hsu	720/600
6,945,298	B2 *	9/2005	Ludvigsen	156/523	2005/0224377	A1 *	10/2005	Lammerant	206/308.1
7,063,285	B1 *	6/2006	Turley et al.	242/171	2007/0001050	A1 *	1/2007	Taatjes et al.	242/598.6
D542,290	S *	5/2007	Hosoya	D14/368	2007/0094818	A1 *	5/2007	Lee	15/1.51
D572,252	S *	7/2008	Kuo et al.	D14/367	2007/0163901	A1 *	7/2007	Husmann	206/308.1
D598,922	S *	8/2009	Taatjes et al.	D14/475	2007/0284270	A1 *	12/2007	Huang	206/308.1
7,571,872	B2 *	8/2009	Shiga	242/348	2008/0202957	A1 *	8/2008	Lacko et al.	206/308.1
7,578,464	B2 *	8/2009	Sasaki et al.	242/614.1	2008/0265078	A1 *	10/2008	Shiga	242/348.3
D606,998	S *	12/2009	Taatjes et al.	D14/475	2010/0096485	A1 *	4/2010	Taatjes et al.	242/171
D633,916	S *	3/2011	Taatjes et al.	D14/475	2010/0096489	A1 *	4/2010	Taatjes et al.	242/520
D650,787	S *	12/2011	Taatjes et al.	D14/475	2010/0232948	A1 *	9/2010	Horng	415/182.1
D651,392	S *	1/2012	De Lima	D3/24	2010/0243784	A1 *	9/2010	Johanson et al.	242/422.4
					2011/0174915	A1 *	7/2011	Taatjes et al.	242/475.7
					2014/0161602	A1 *	6/2014	Schmidt et al.	415/204
					2015/0043225	A1 *	2/2015	Goodman et al.	362/372

* cited by examiner

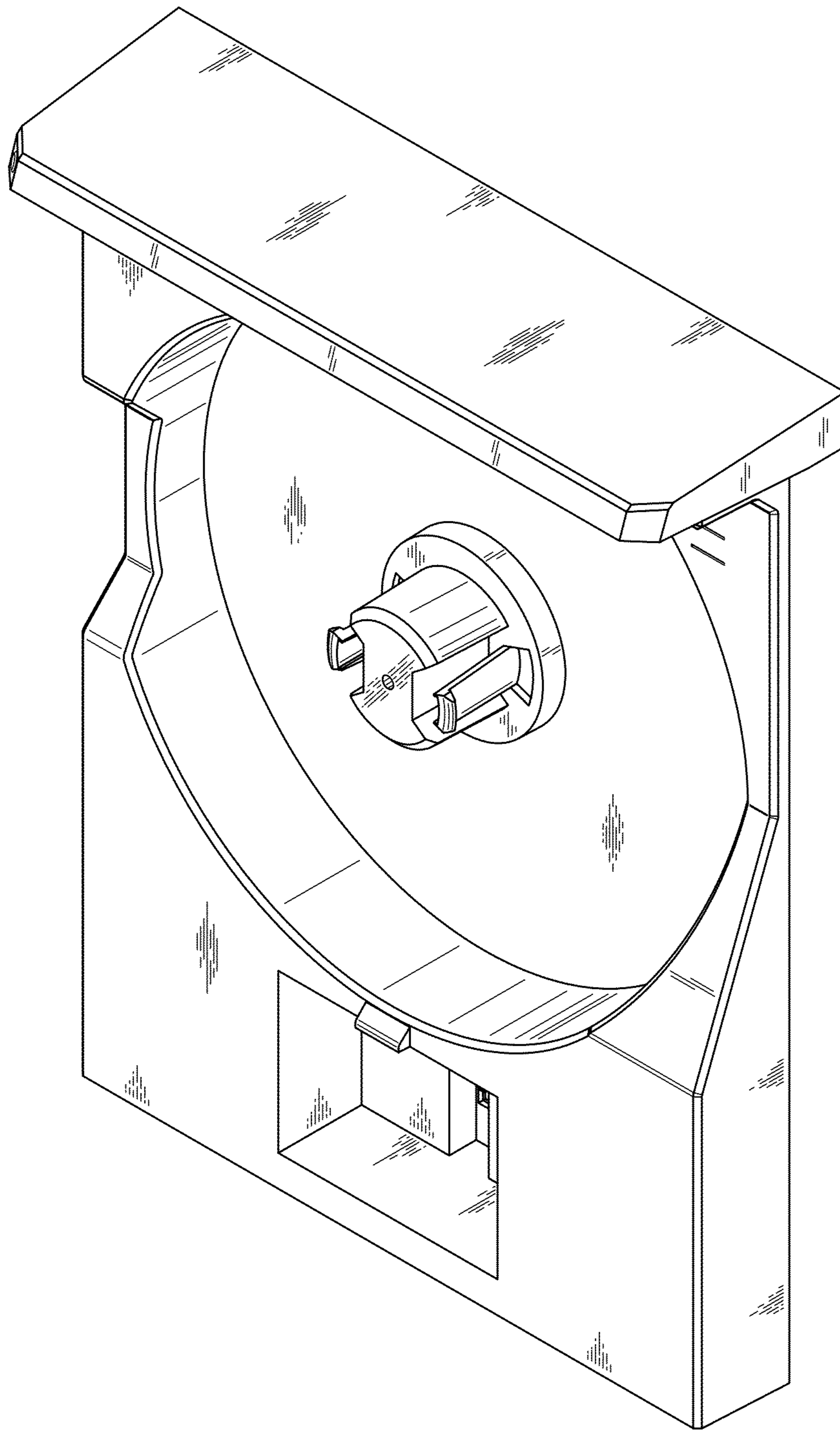


FIG. 1

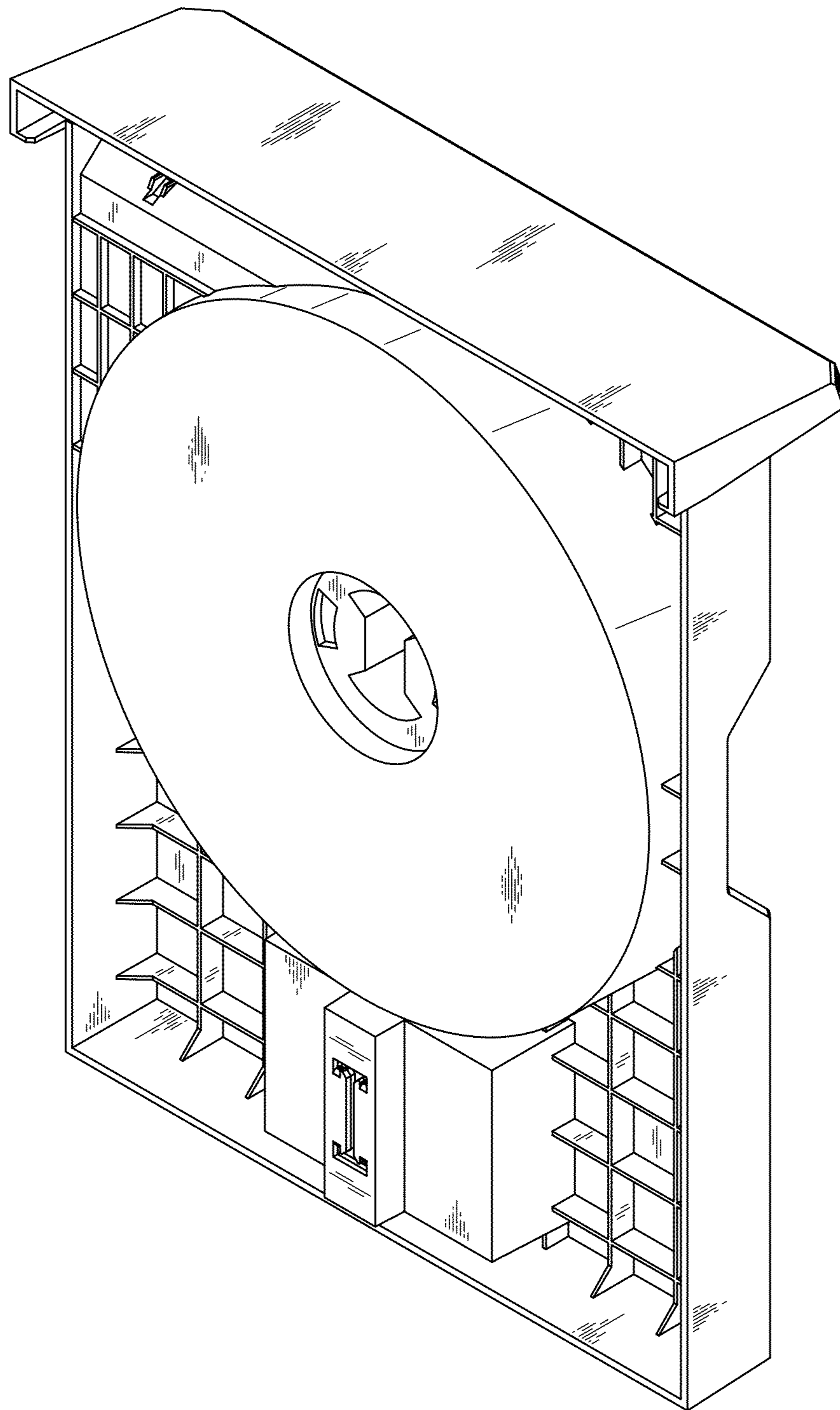


FIG. 2

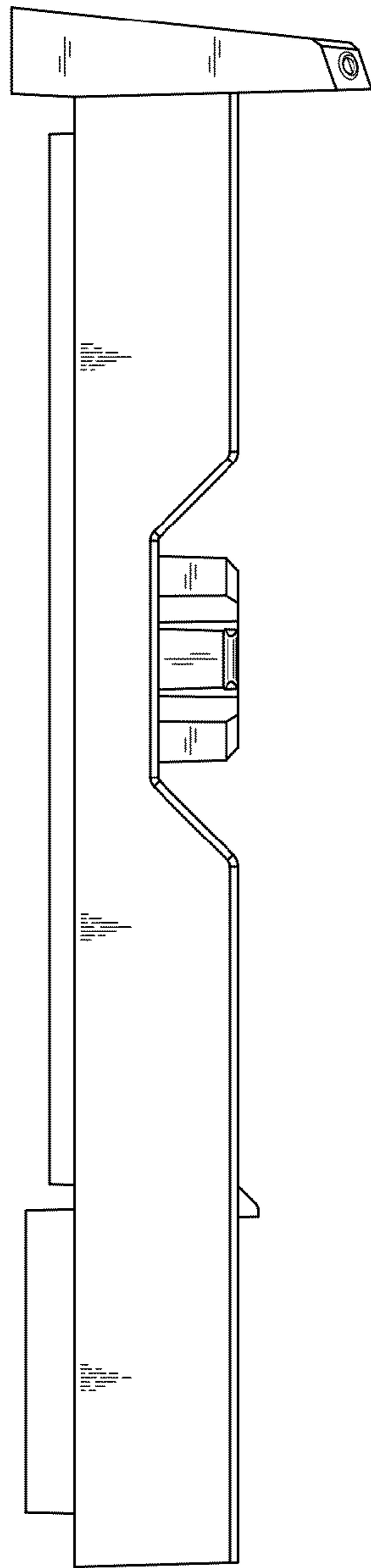


FIG. 3

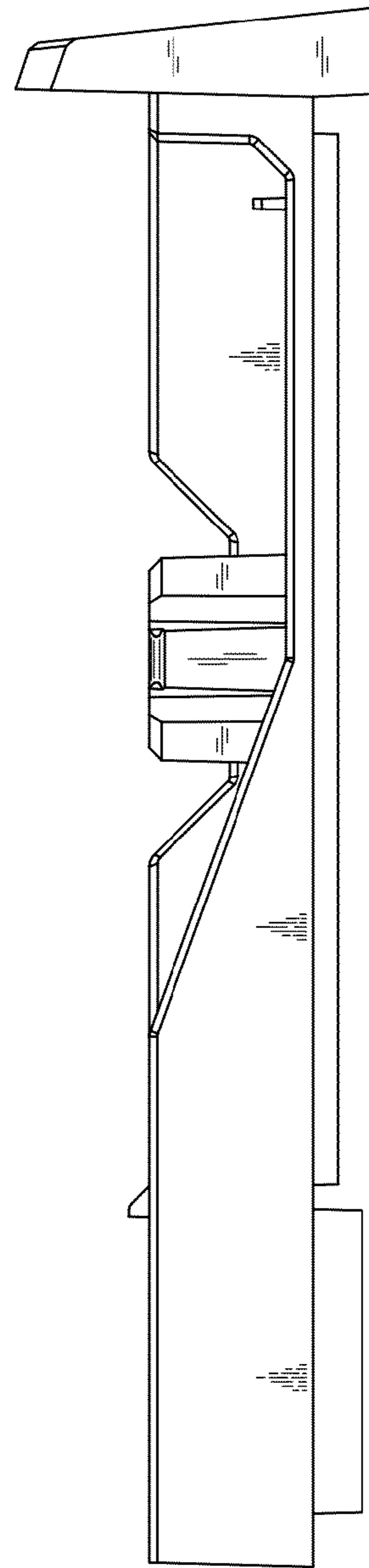


FIG. 4

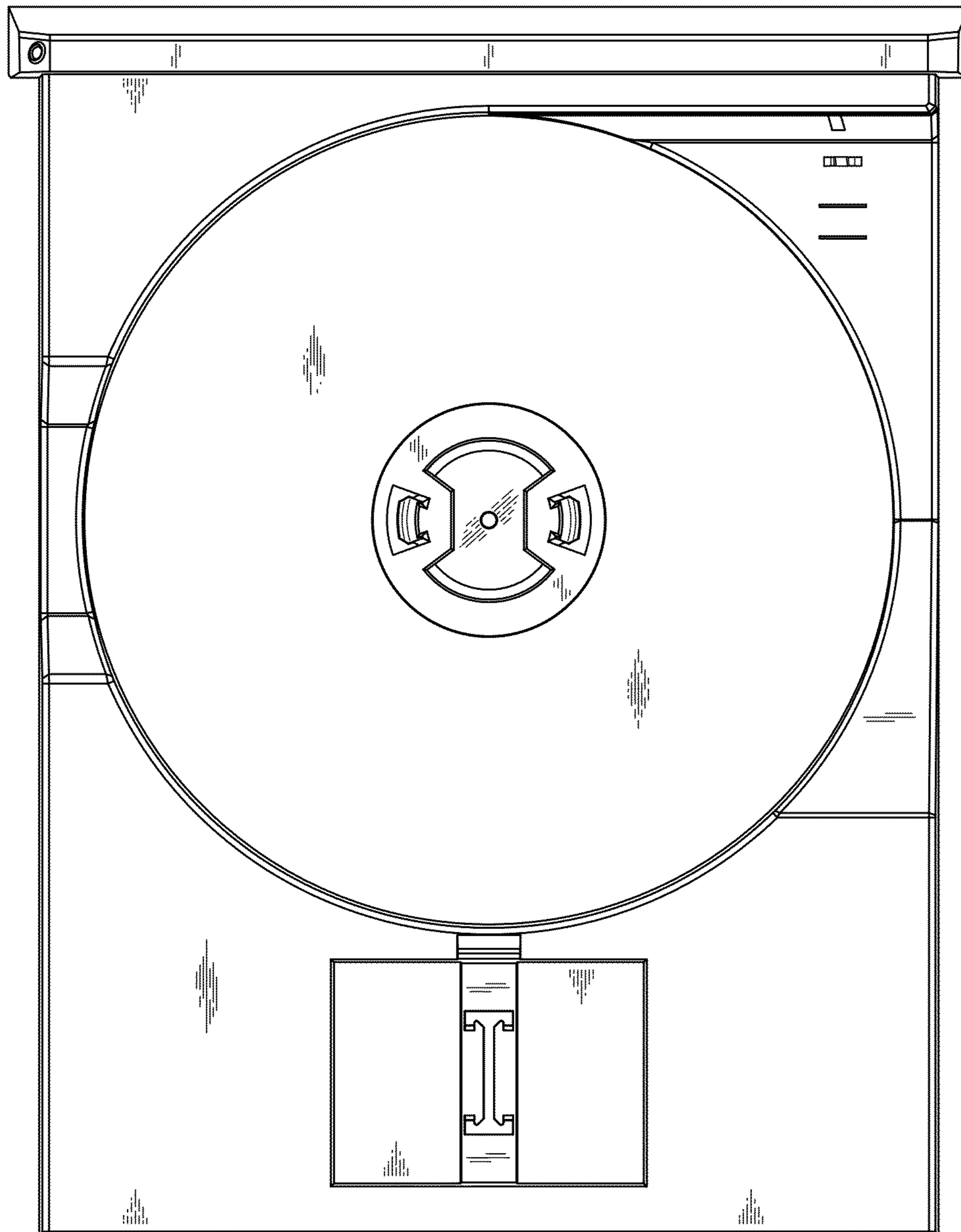


FIG. 5

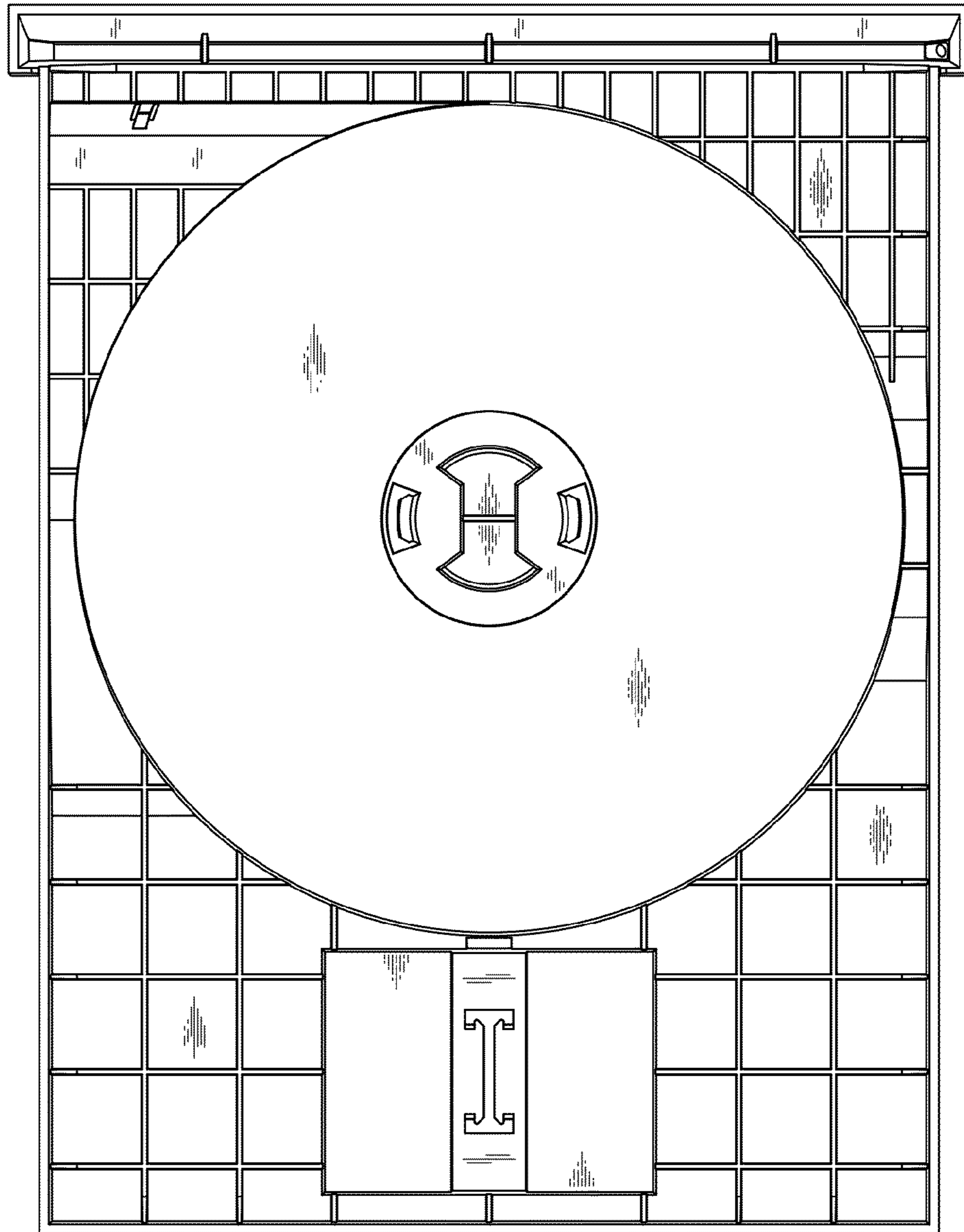


FIG. 6

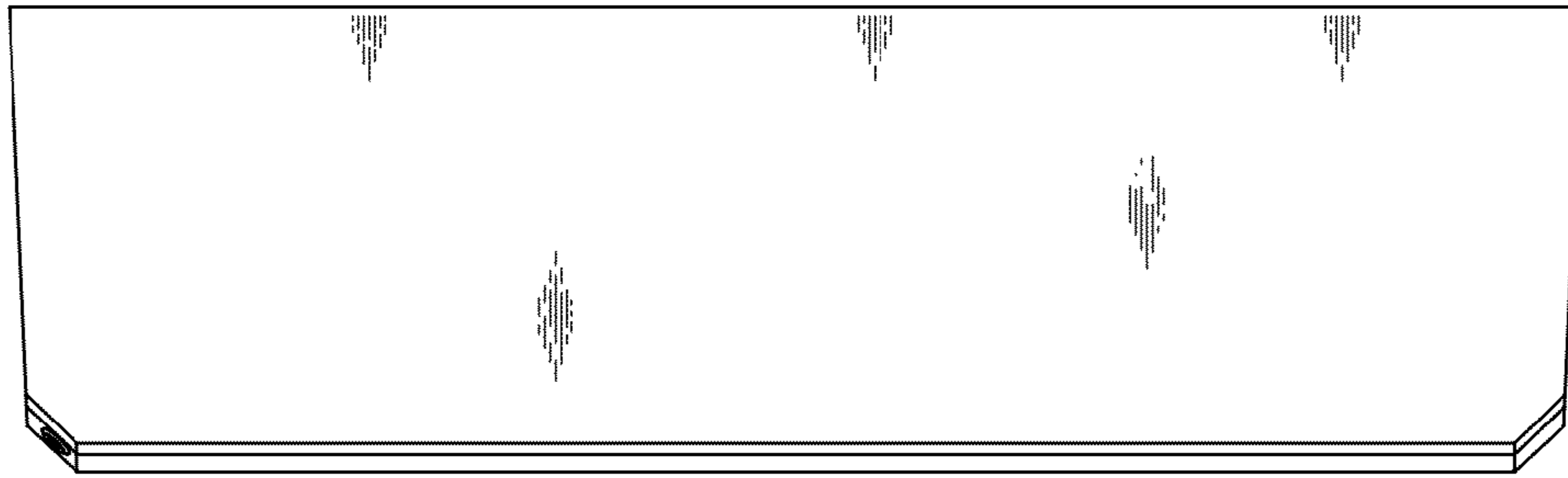


FIG. 7

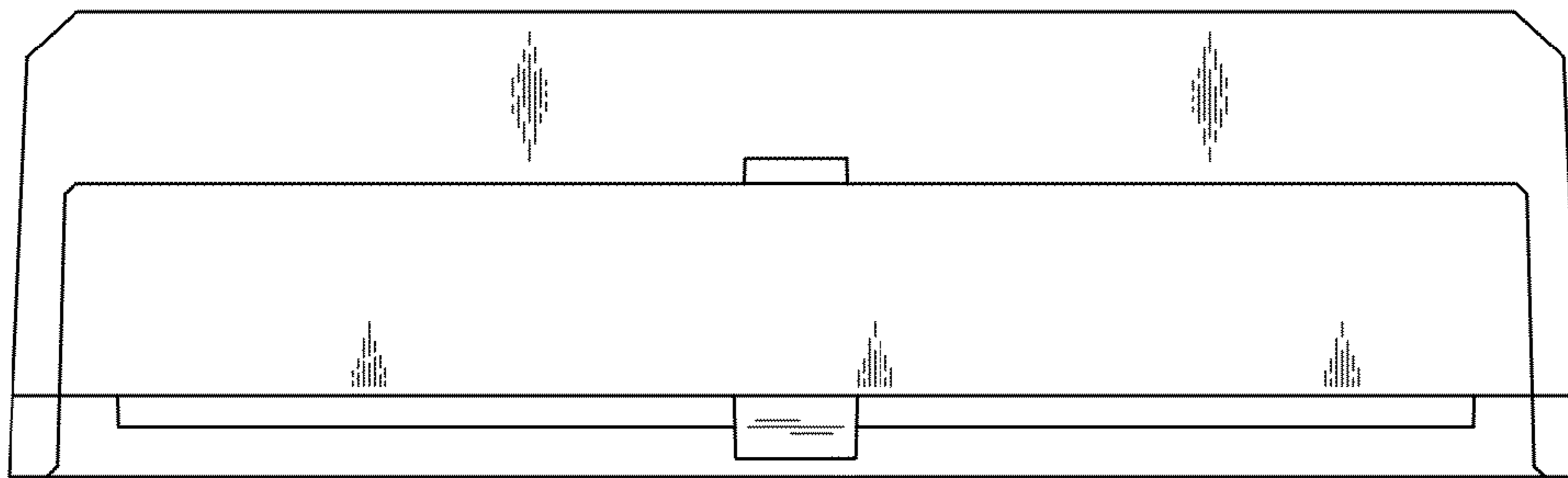


FIG. 8