



US00D737346S

(12) **United States Design Patent**
Anantha et al.

(10) **Patent No.:** **US D737,346 S**

(45) **Date of Patent:** **** Aug. 25, 2015**

(54) **THREE-DIMENSIONAL PRINTER FRAME**

(56) **References Cited**

(71) Applicant: **MakerBot Industries, LLC**, Brooklyn, NY (US)

U.S. PATENT DOCUMENTS

(72) Inventors: **Vishnu Anantha**, Queens, NY (US); **Jackson Seidenberg**, Brooklyn, NY (US); **Taylor S. Goodman**, Chappaqua, NY (US); **William B. Buel**, Sunnyvale, CA (US); **Kevin C. Rand**, New York, NY (US)

D390,591	S	*	2/1998	Okamoto et al.	D18/55
5,885,511	A	*	3/1999	Heller et al.	264/401
D519,151	S	*	4/2006	Tashiro	D18/54
D539,841	S	*	4/2007	Hegge	D18/53
7,297,304	B2	*	11/2007	Swanson et al.	264/308
D677,723	S	*	3/2013	Buel et al.	D18/59
D686,658	S	*	7/2013	Matsuno et al.	D18/50
D688,741	S	*	8/2013	Joyce	D18/50

* cited by examiner

(73) Assignee: **MakerBot Industries, LLC**, Brooklyn, NY (US)

Primary Examiner — Cathy A MacCormac

(74) *Attorney, Agent, or Firm* — Strategic Patents, P.C.

(**) Term: **14 Years**

(57) **CLAIM**

The ornamental design for a three-dimensional printer frame, as shown and described.

(21) Appl. No.: **29/478,422**

DESCRIPTION

(22) Filed: **Jan. 5, 2014**

FIG. 1 is a front perspective view of a design for a three-dimensional printer frame.

(51) **LOC (10) Cl.** **15-09**

FIG. 2 is a left side view of the design.

(52) **U.S. Cl.**

FIG. 3 is a right side view of the design.

USPC **D15/122**

FIG. 4 is a front view of the design.

(58) **Field of Classification Search**

FIG. 5 is a back view of the design.

USPC D18/6-7, 14, 19, 50, 54.1, 54, 55, 59;
D15/135, 138, 122; 101/38.1;
264/112-113, 308, 401, 497, 642;
425/162, 173, 375; D20/18; 118/46

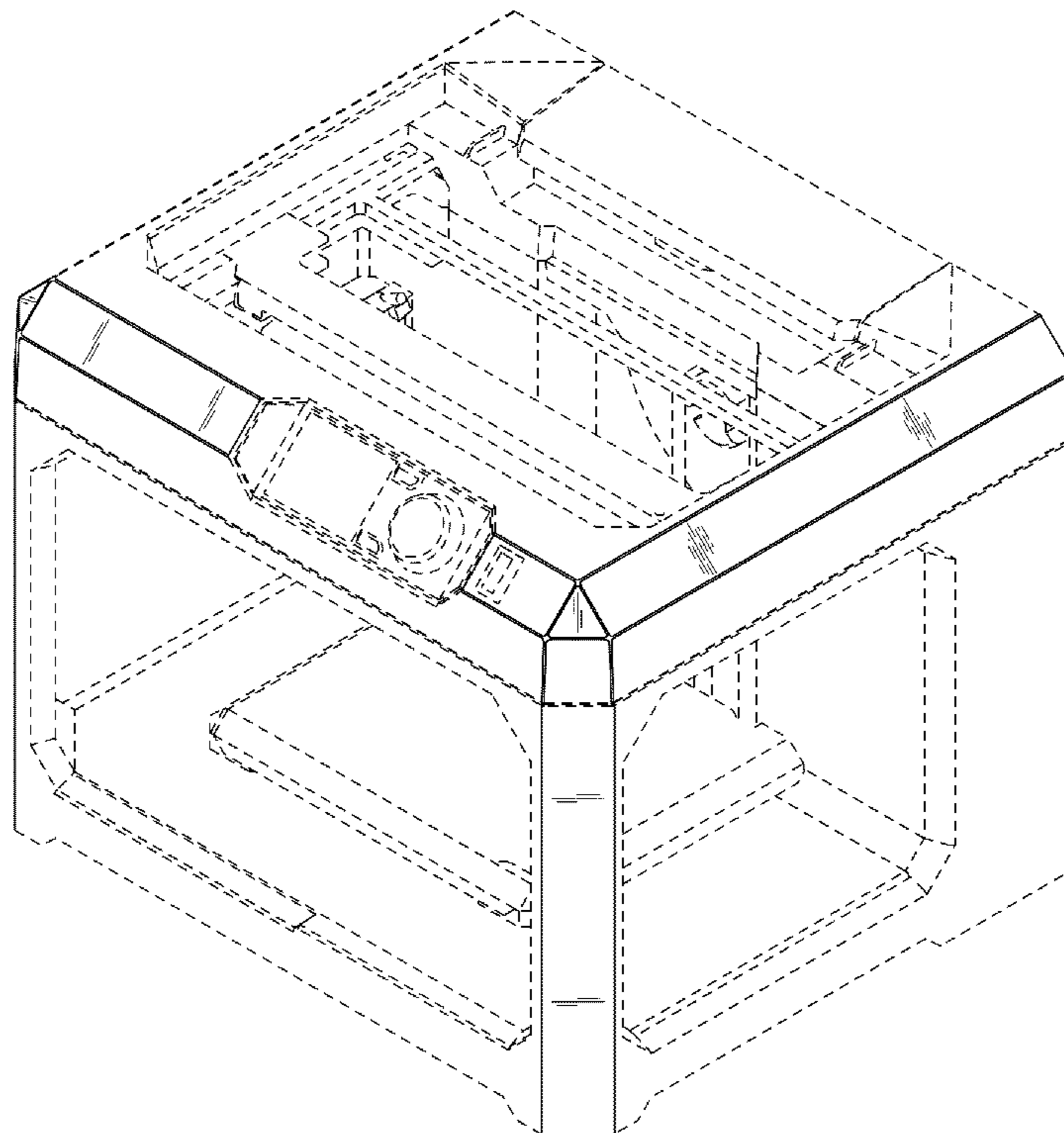
FIG. 6 is a top view of the design; and,

FIG. 7 is a bottom view of the design.

The broken lines showing portions of the three-dimensional printer frame depict environmental subject matter only and form no part of the claimed design.

See application file for complete search history.

1 Claim, 7 Drawing Sheets



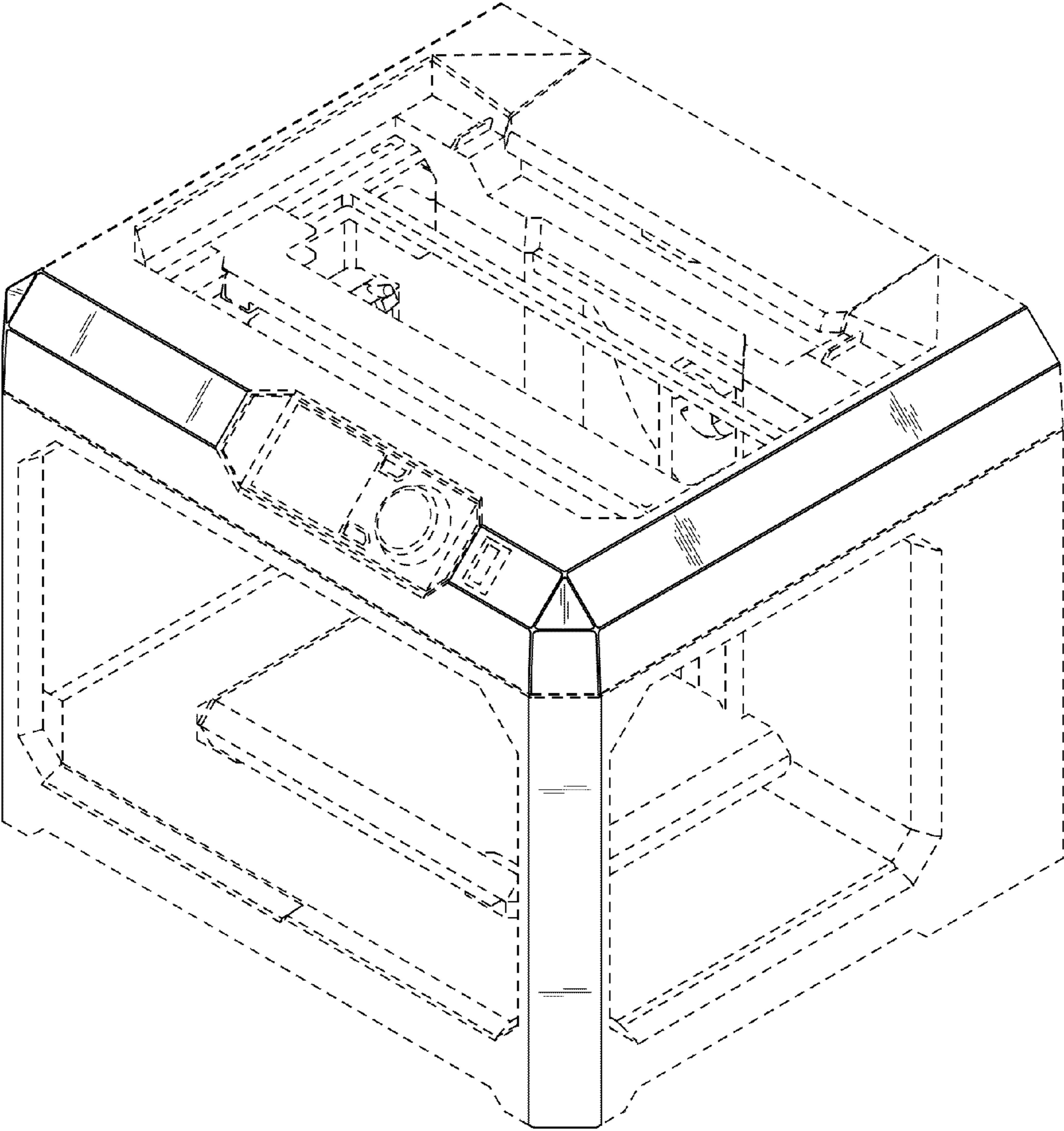


FIG. 1

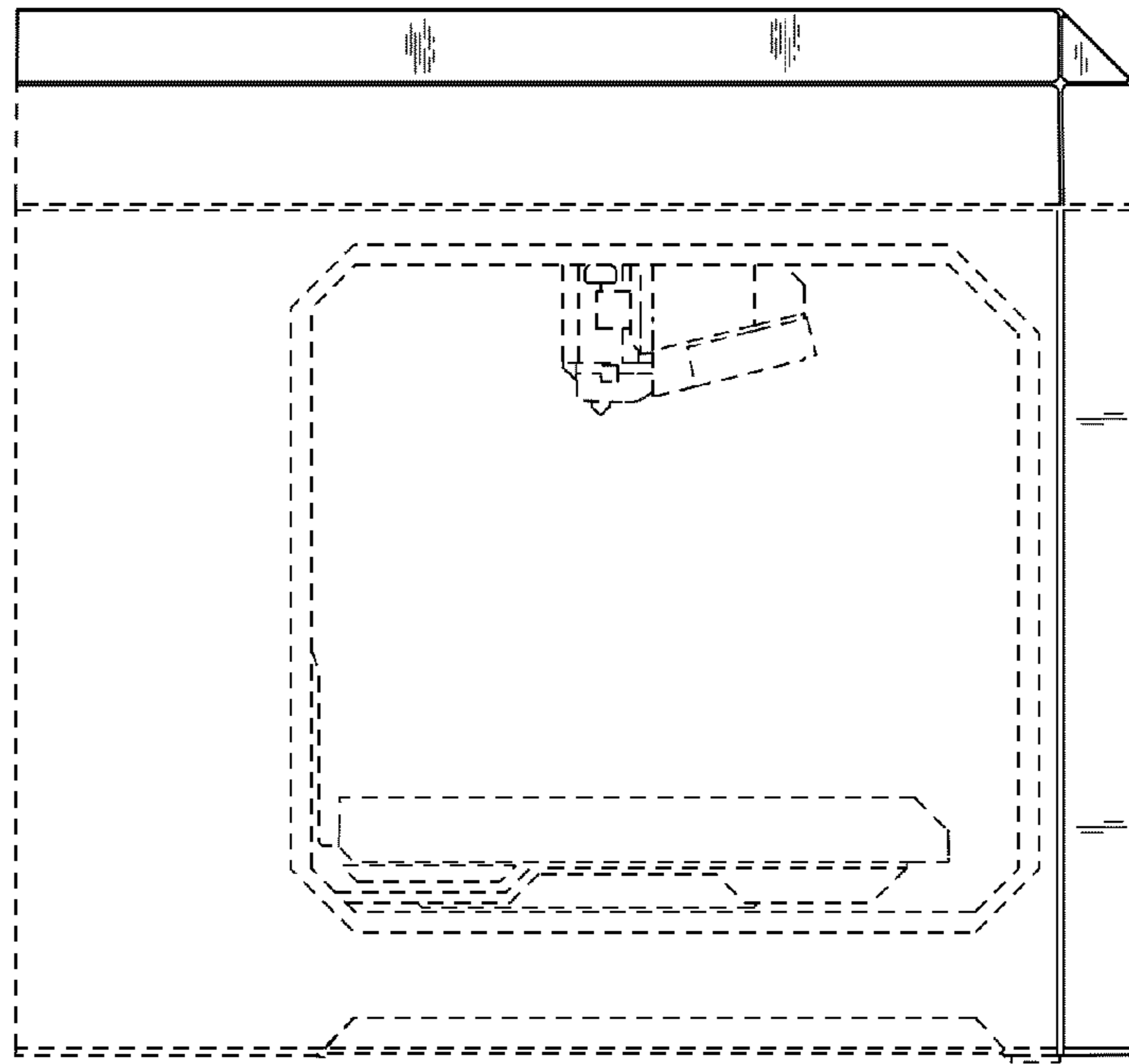


FIG. 2

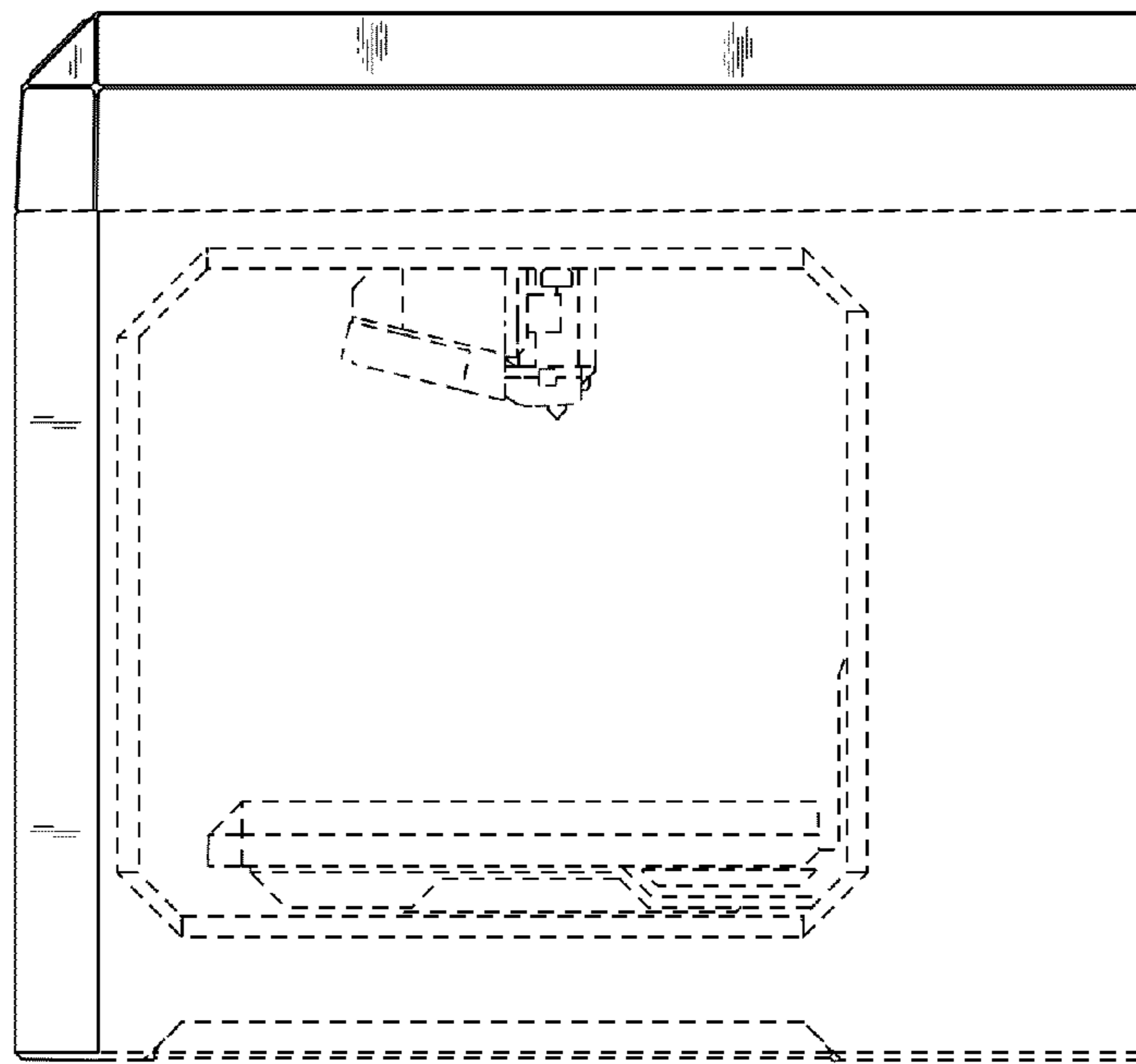


FIG. 3

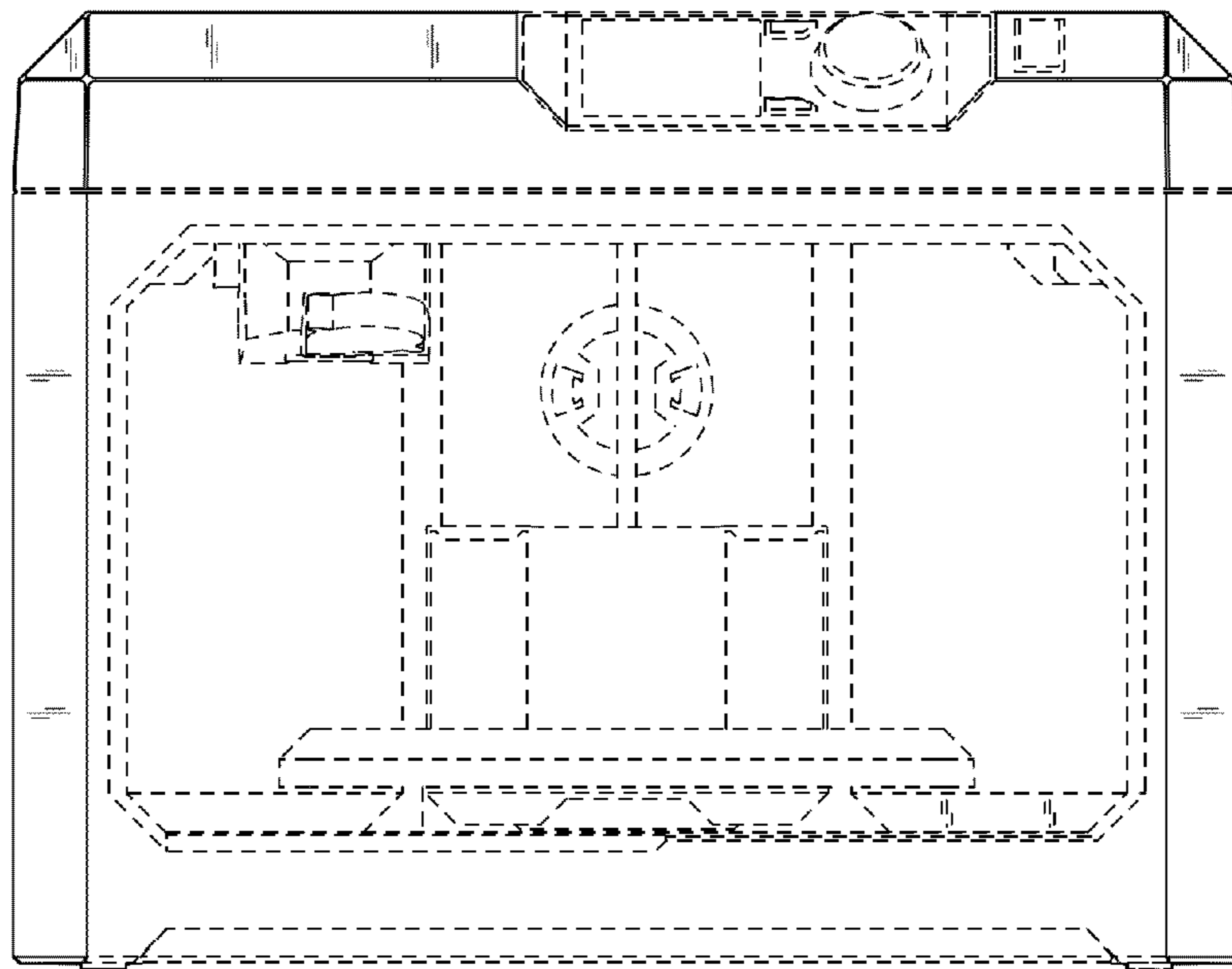


FIG. 4

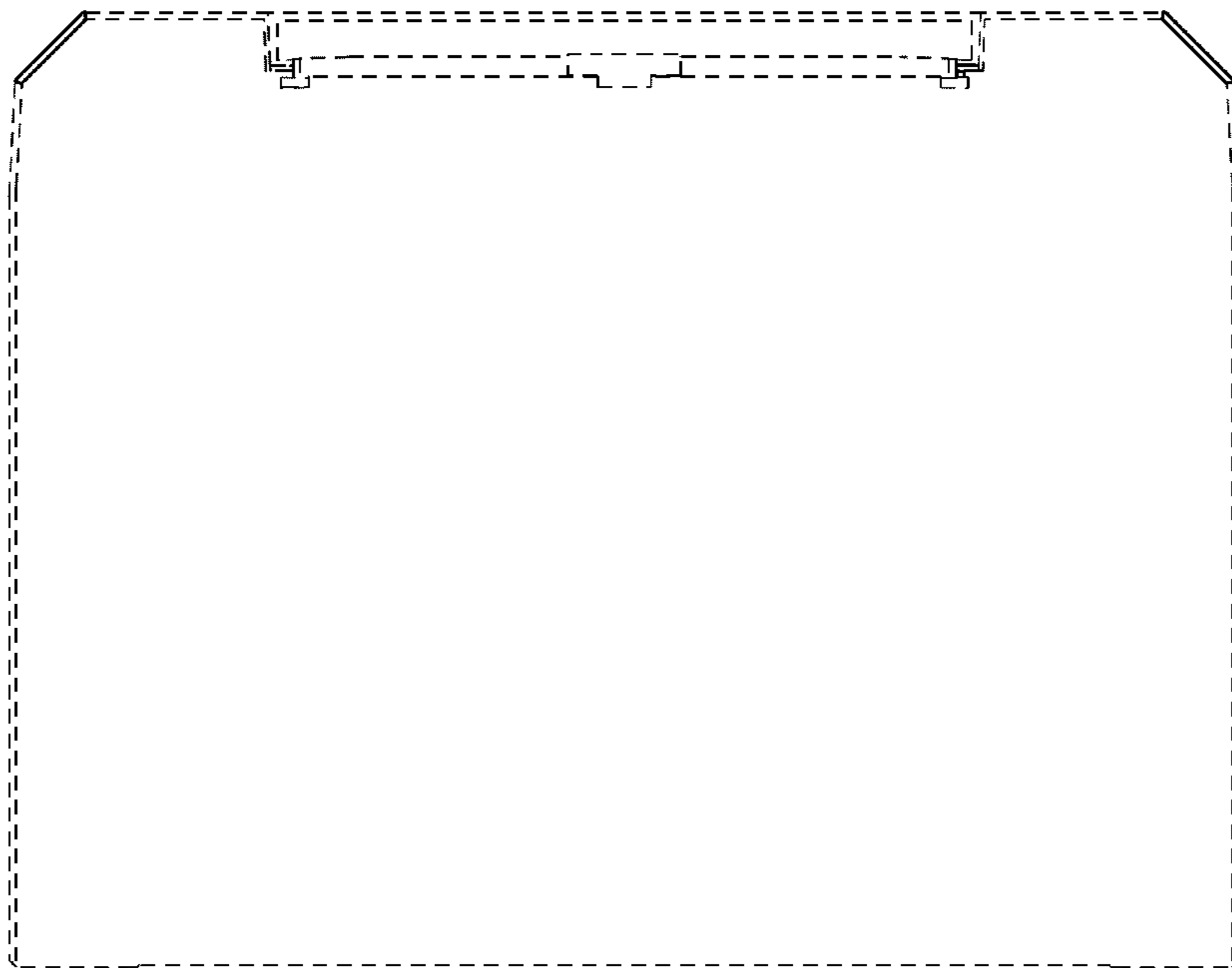


FIG. 5

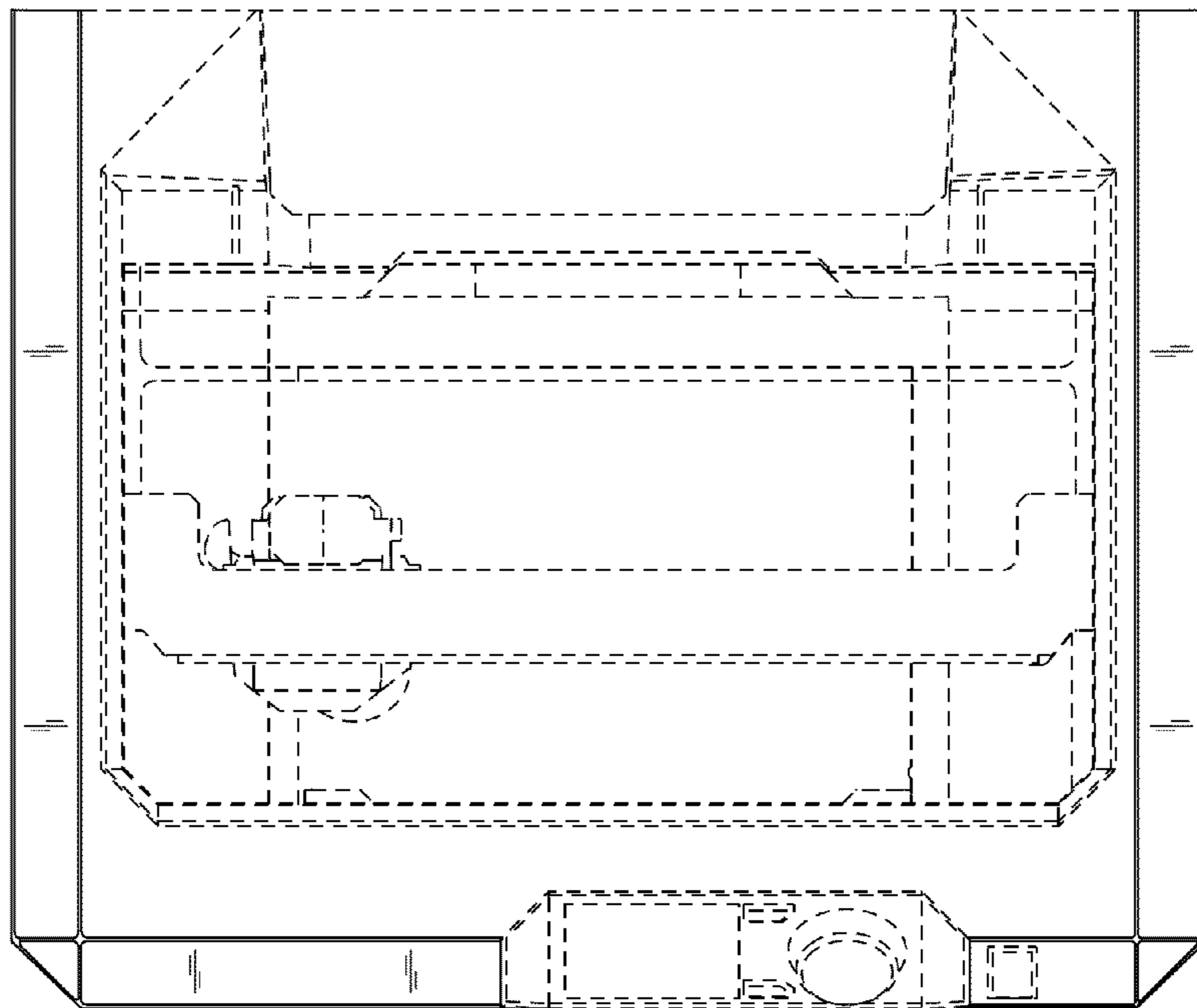


FIG. 6

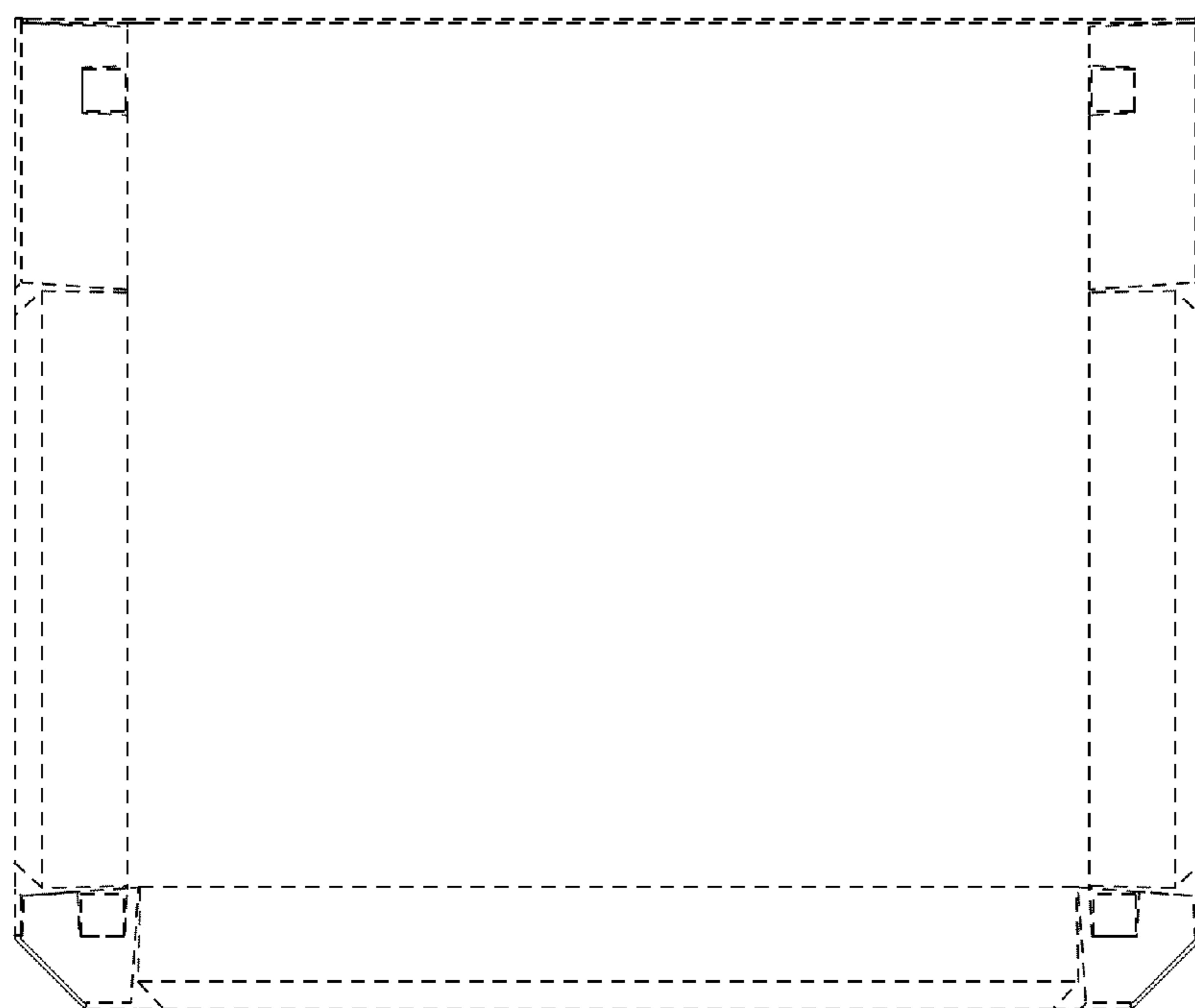


FIG. 7