



US00D737345S

(12) **United States Design Patent**  
**Anantha et al.**

(10) **Patent No.:** **US D737,345 S**

(45) **Date of Patent:** **\*\* Aug. 25, 2015**

(54) **THREE-DIMENSIONAL PRINTER FRAME**

(56)

**References Cited**

(71) Applicant: **MakerBot Industries, LLC**, Brooklyn, NY (US)

U.S. PATENT DOCUMENTS

(72) Inventors: **Vishnu Anantha**, Queens, NY (US);  
**Jackson Seidenberg**, Brooklyn, NY (US); **Janet Lieberman**, Brooklyn, NY (US); **William B. Buel**, Sunnyvale, CA (US)

D519,151	S	*	4/2006	Tashiro	.....	D18/54
7,297,304	B2	*	11/2007	Swanson et al.	.....	264/308
D677,723	S	*	3/2013	Buel et al.	.....	D18/59
D686,658	S	*	7/2013	Matsuno et al.	.....	D18/50
D688,741	S	*	8/2013	Joyce	.....	D18/50

\* cited by examiner

*Primary Examiner* — Cathy Anne MacCormac

(74) *Attorney, Agent, or Firm* — Strategic Patents, P.C.

(73) Assignee: **MakerBot Industries, LLC**, Brooklyn, NY (US)

(57) **CLAIM**

The ornamental design for a three-dimensional printer frame, as shown and described.

(\*\*) Term: **14 Years**

**DESCRIPTION**

(21) Appl. No.: **29/478,417**

FIG. 1 is a front perspective view of a design for a three-dimensional printer frame.

(22) Filed: **Jan. 5, 2014**

FIG. 2 is a right side view of the design.

(51) **LOC (10) Cl.** ..... **15-09**

FIG. 3 is a left side view of the design.

(52) **U.S. Cl.**

FIG. 4 is a front view of the design.

USPC ..... **D15/122**

FIG. 5 is a back view of the design.

(58) **Field of Classification Search**

FIG. 6 is a top view of the design; and,

USPC ..... D18/6-7, 14, 19, 50, 54.1, 54, 55, 59;

FIG. 7 is a bottom view of the design.

D15/135, 138, 122; 101/38.1;

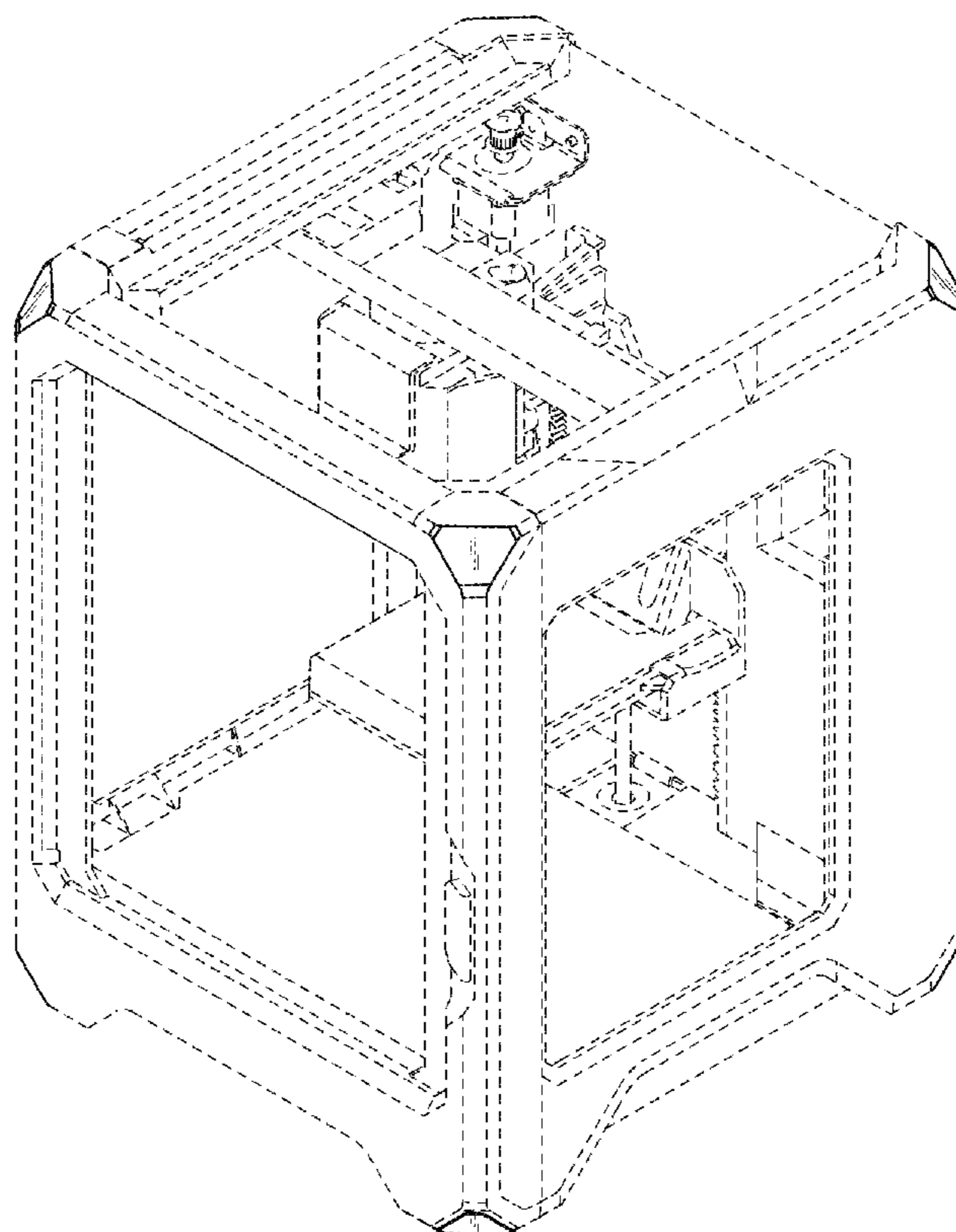
The broken lines showing portions of the three-dimensional printer frame depict environmental subject matter, are for illustrative purposes only and form no part of the claimed design.

264/112-113, 308, 401, 497, 642;

425/162, 173, 375; D20/18; 118/46

See application file for complete search history.

**1 Claim, 7 Drawing Sheets**



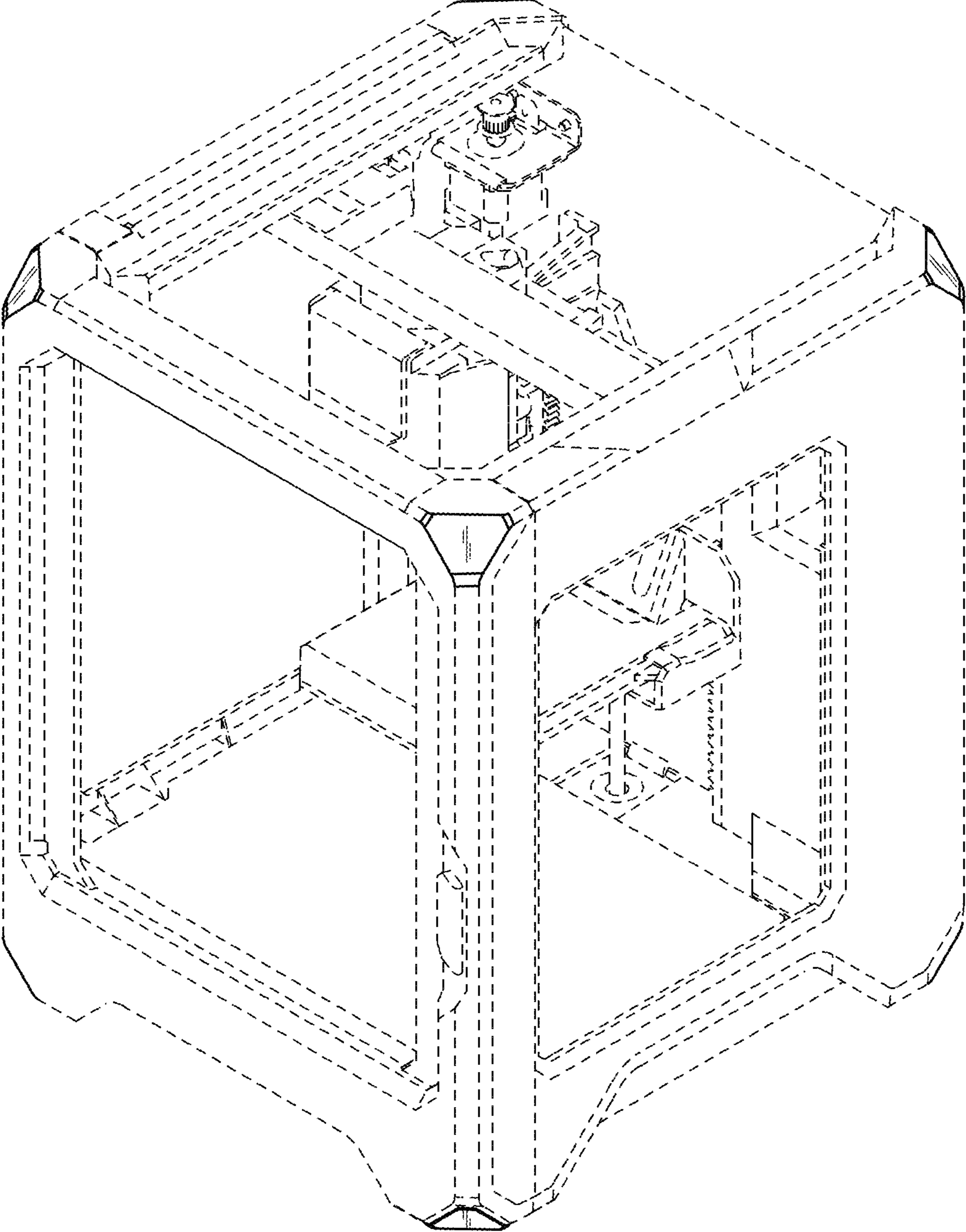


FIG. 1

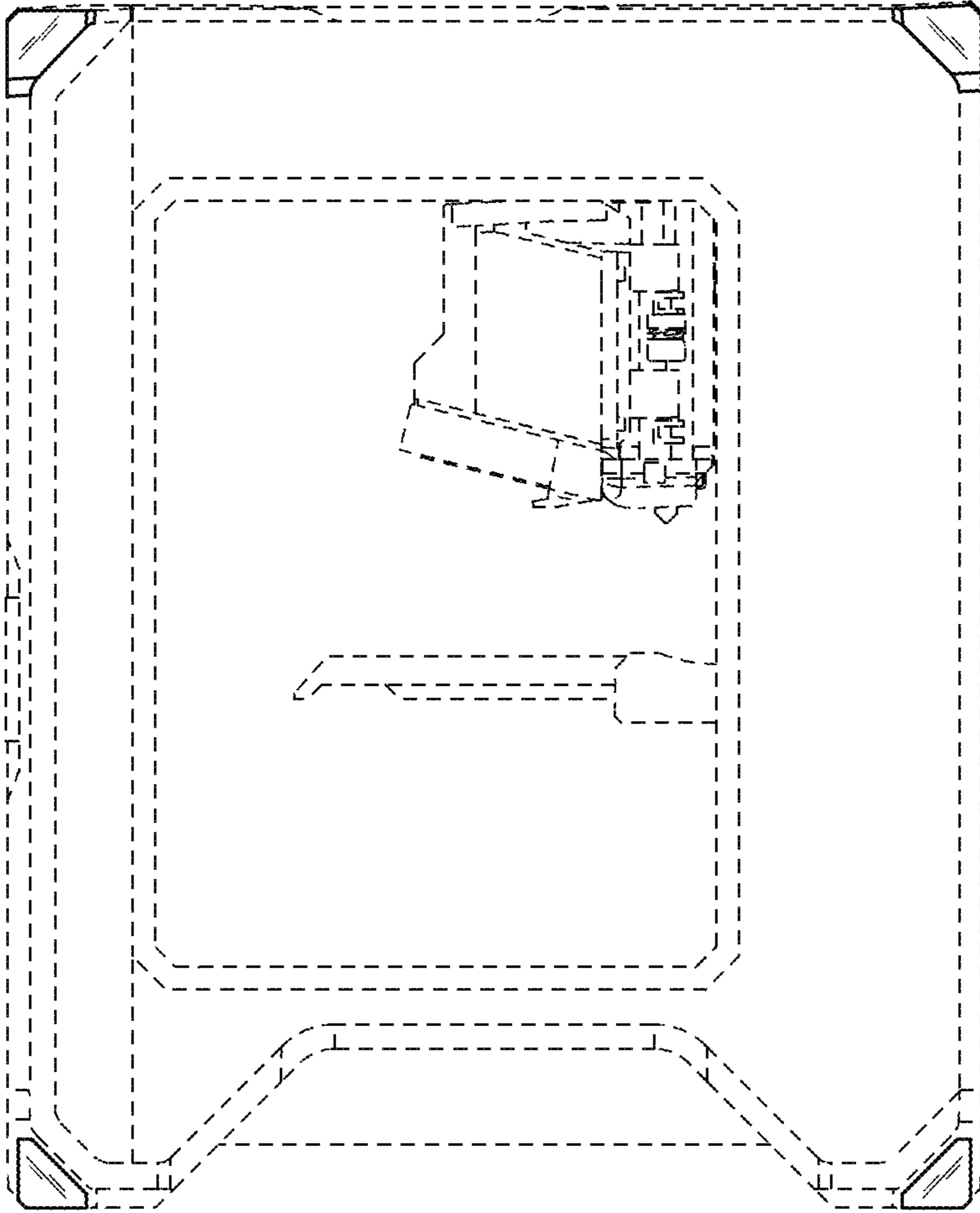


FIG. 2

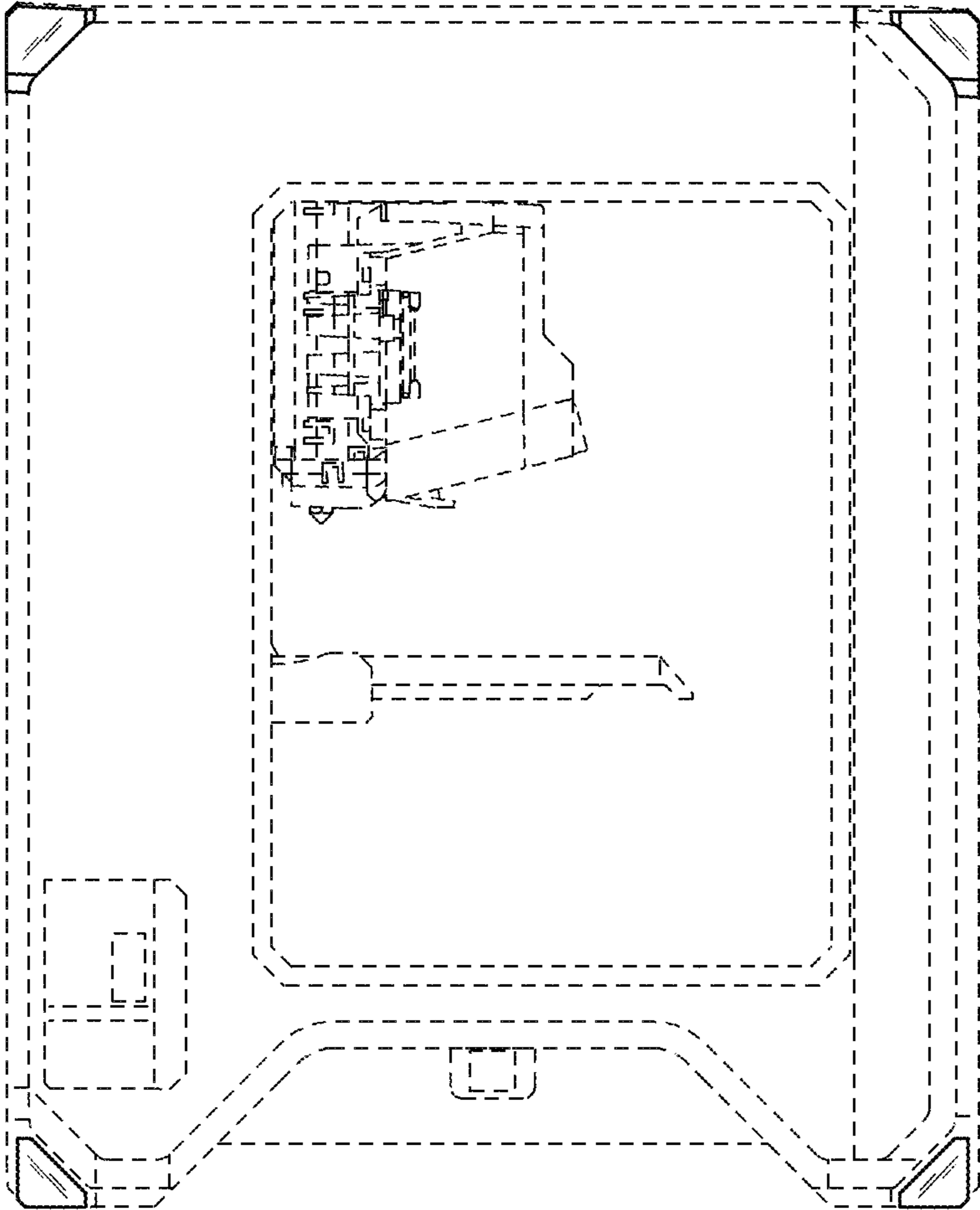


FIG. 3

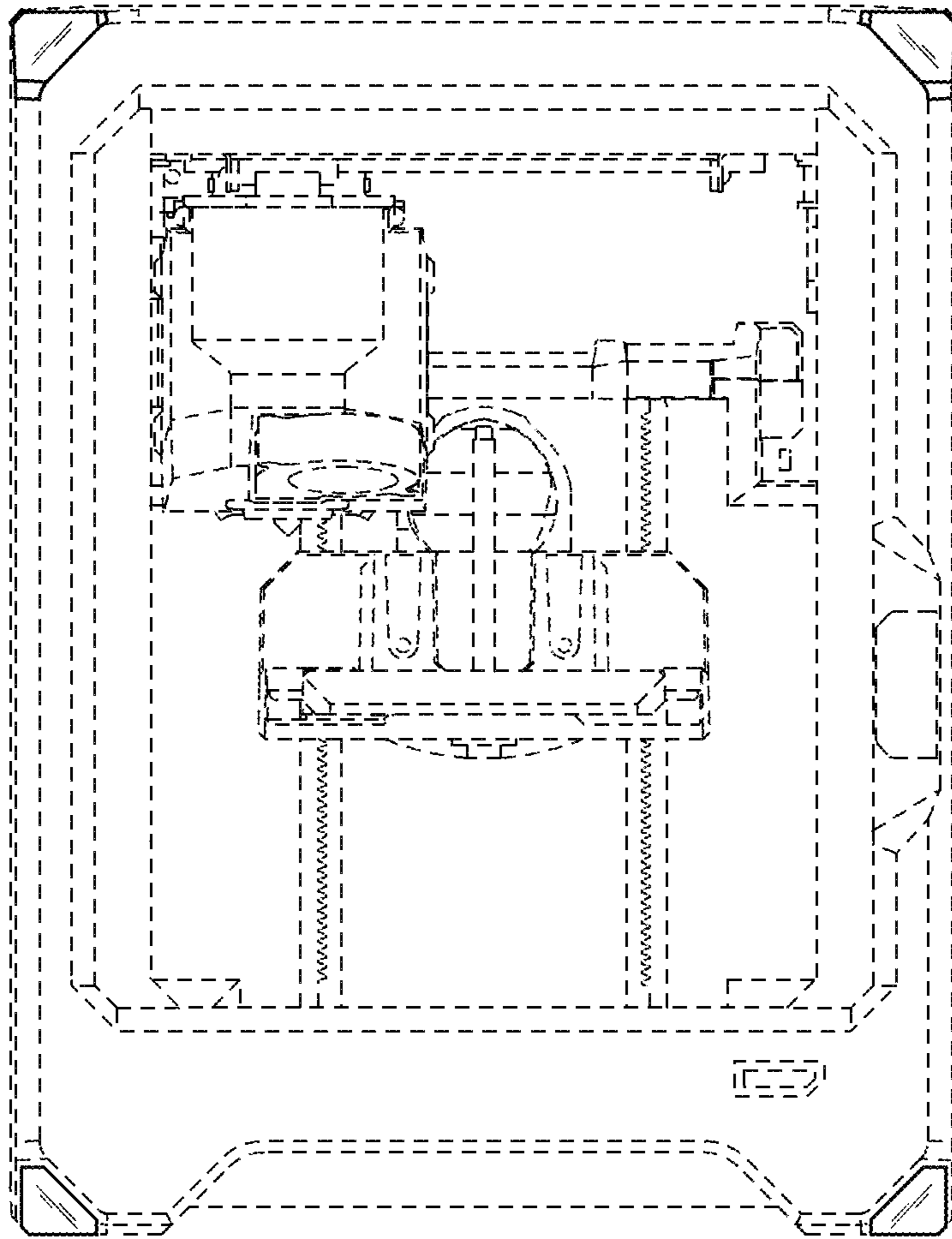


FIG. 4

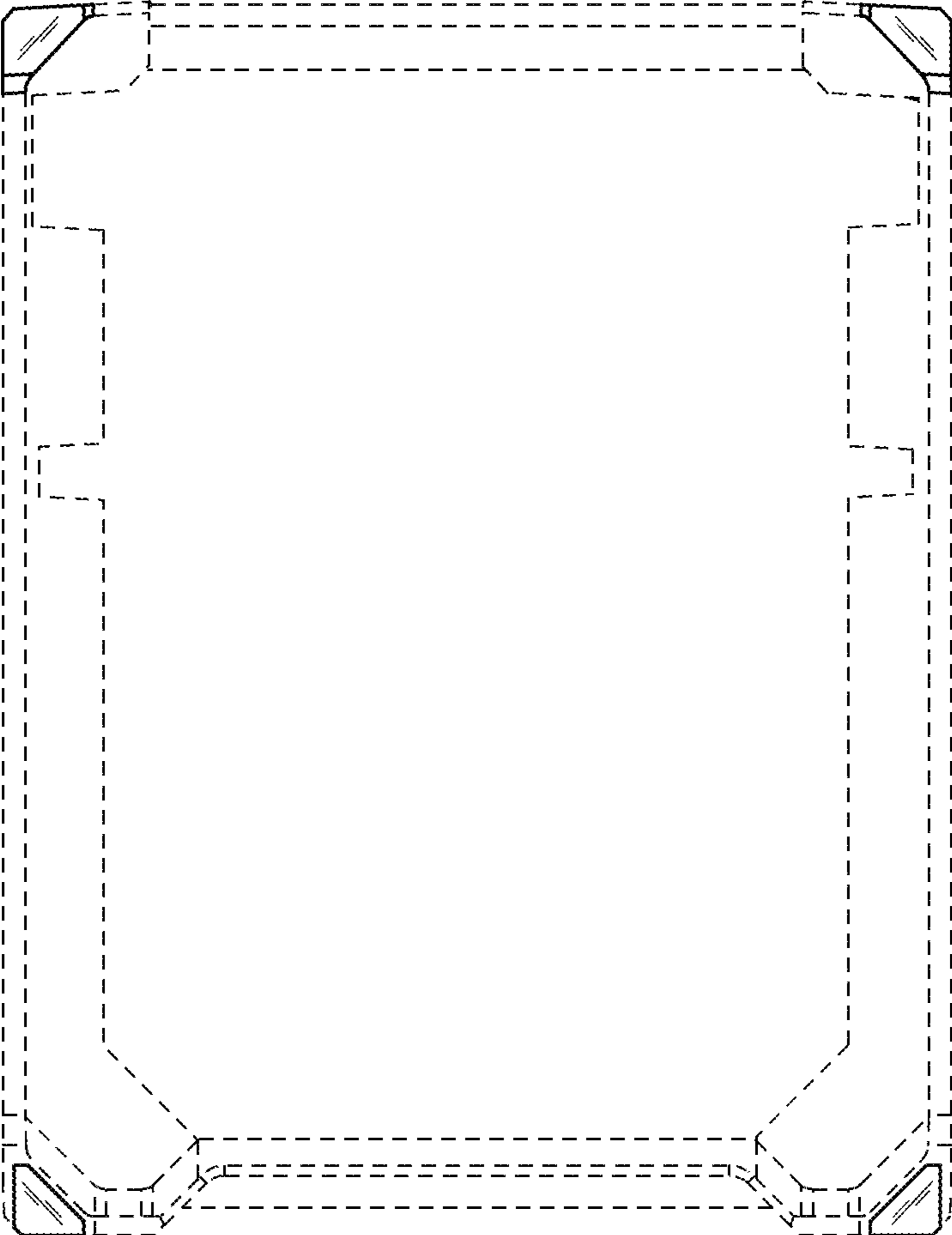


FIG. 5

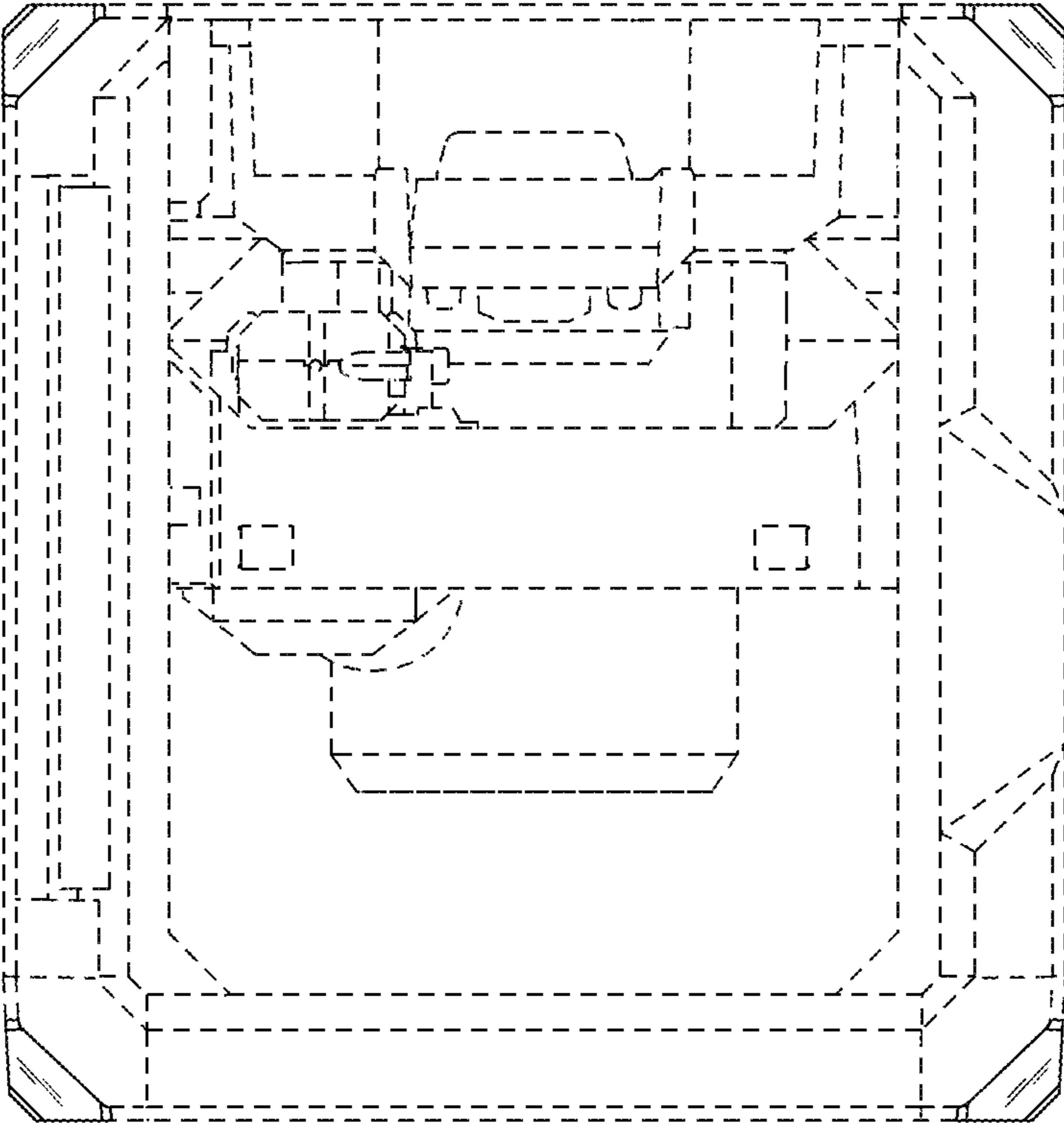
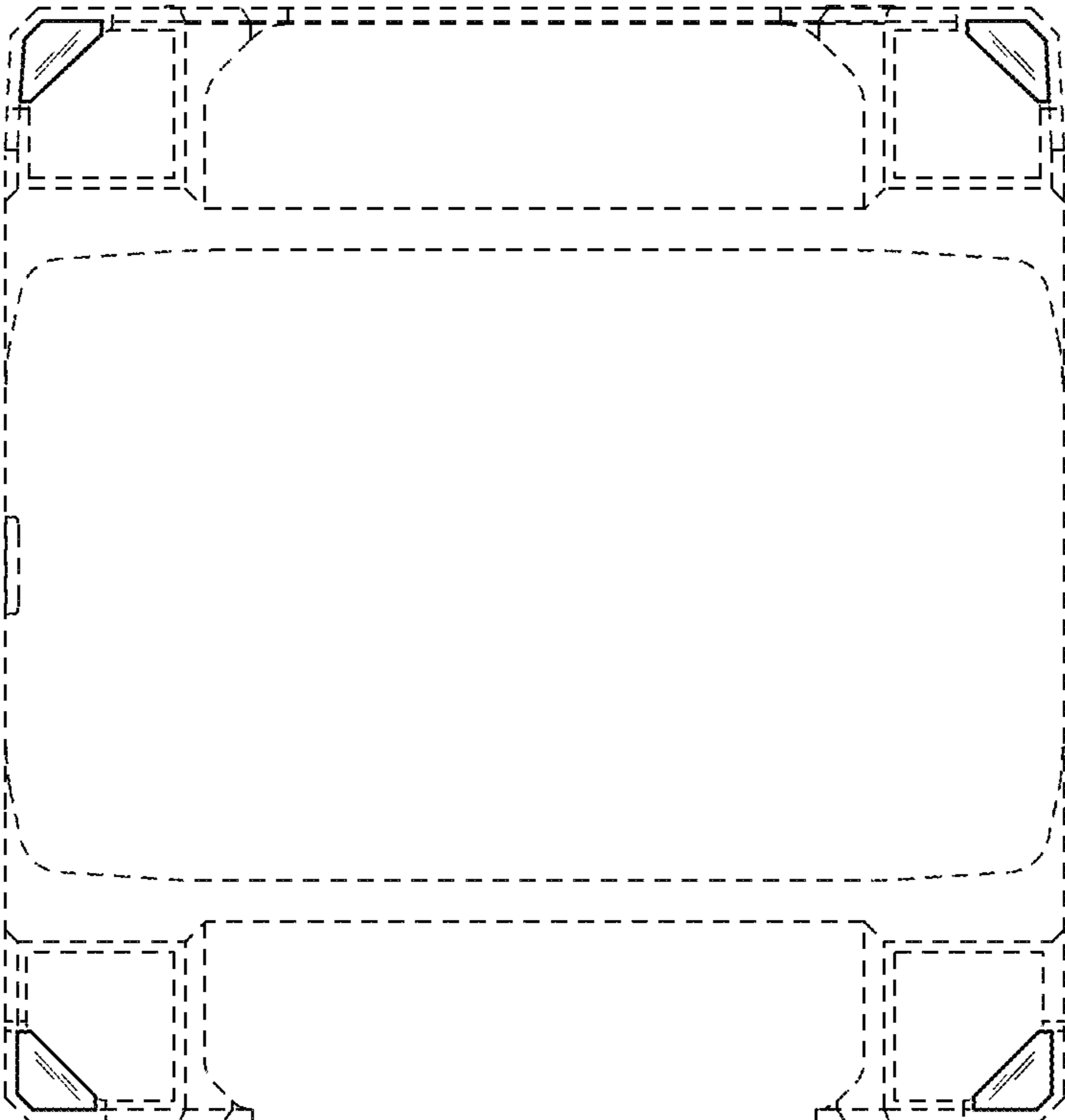


FIG. 6



*FIG. 7*