



US00D737344S

(12) **United States Design Patent**  
**Lee et al.**

(10) **Patent No.:** **US D737,344 S**  
(45) **Date of Patent:** **\*\* Aug. 25, 2015**

(54) **COOLING AIR OUTLET FOR REFRIGERATOR**

F25D 23/12; F25D 29/005; F25D 17/042;  
F25D 2325/021

See application file for complete search history.

(71) Applicant: **Samsung Electronics Co., Ltd.**,  
Suwon-si (KR)

(56) **References Cited**

(72) Inventors: **Jong-Hyub Lee**, Seoul (KR); **Se-Youn Park**, Seoul (KR); **Jun-Kyo Lee**, Daegu (KR); **Hyun-Il Lee**, Seoul (KR); **Sang-Woon Jeon**, Namyangju-si (KR); **Min-Hyouk Bu**, Seoul (KR)

U.S. PATENT DOCUMENTS

D528,136	S	*	9/2006	Brockington et al.	.....	D15/89
D673,588	S	*	1/2013	Choi et al.	.....	D15/89
D681,696	S	*	5/2013	Meda et al.	.....	D15/89
D723,073	S	*	2/2015	Lee et al.	.....	D15/89

\* cited by examiner

(73) Assignee: **Samsung Electronics Co., Ltd.**,  
Suwon-Si (KR)

*Primary Examiner* — Daniel Bui

(\*\*) Term: **14 Years**

*Assistant Examiner* — Khawaja Anwar

(21) Appl. No.: **29/478,629**

(74) *Attorney, Agent, or Firm* — Ladas & Parry LLP

(22) Filed: **Jan. 7, 2014**

(57) **CLAIM**

We claim the ornamental design for a cooling air outlet for refrigerator, as shown and described.

(30) **Foreign Application Priority Data**

Sep. 3, 2013 (KR) ..... 30-2013-0045484

**DESCRIPTION**

(51) **LOC (10) Cl.** ..... **15-07**

(52) **U.S. Cl.**  
USPC ..... **D15/89**

(58) **Field of Classification Search**  
USPC ..... D15/79-91; D12/181  
CPC ..... F25B 21/02; F25B 2321/02; F25B 1/005;  
F25B 2321/0252; F25B 1/00; F25B 1/10;  
F25B 21/04; F25B 2339/047; F25B 5/02;  
F25B 7/00; F25B 13/00; F25B 1/053; F25B  
2309/06; F25B 2321/021; F25B 2321/023;  
F25D 23/028; F25D 23/02; F25D 25/025;  
F25D 23/00; F25D 2323/021; F25D 11/00;  
F25D 2323/024; F25D 23/04; F25D 29/00;  
F25D 25/02; F25D 25/024; F25D 27/005;

FIG. 1 is a front/top perspective view of a cooling air outlet for a refrigerator showing our new design;  
FIG. 2 is a front elevation view thereof;  
FIG. 3 is a rear elevation view thereof;  
FIG. 4 is a left side elevation view thereof;  
FIG. 5 is a right side elevation view thereof;  
FIG. 6 is a top plan view thereof;  
FIG. 7 is a bottom plan view thereof; and,  
FIG. 8 is a perspective view of said cooling air outlet in use.  
The broken lines in the drawings are for environmental purposes only and form no part of the claimed design.

**1 Claim, 5 Drawing Sheets**

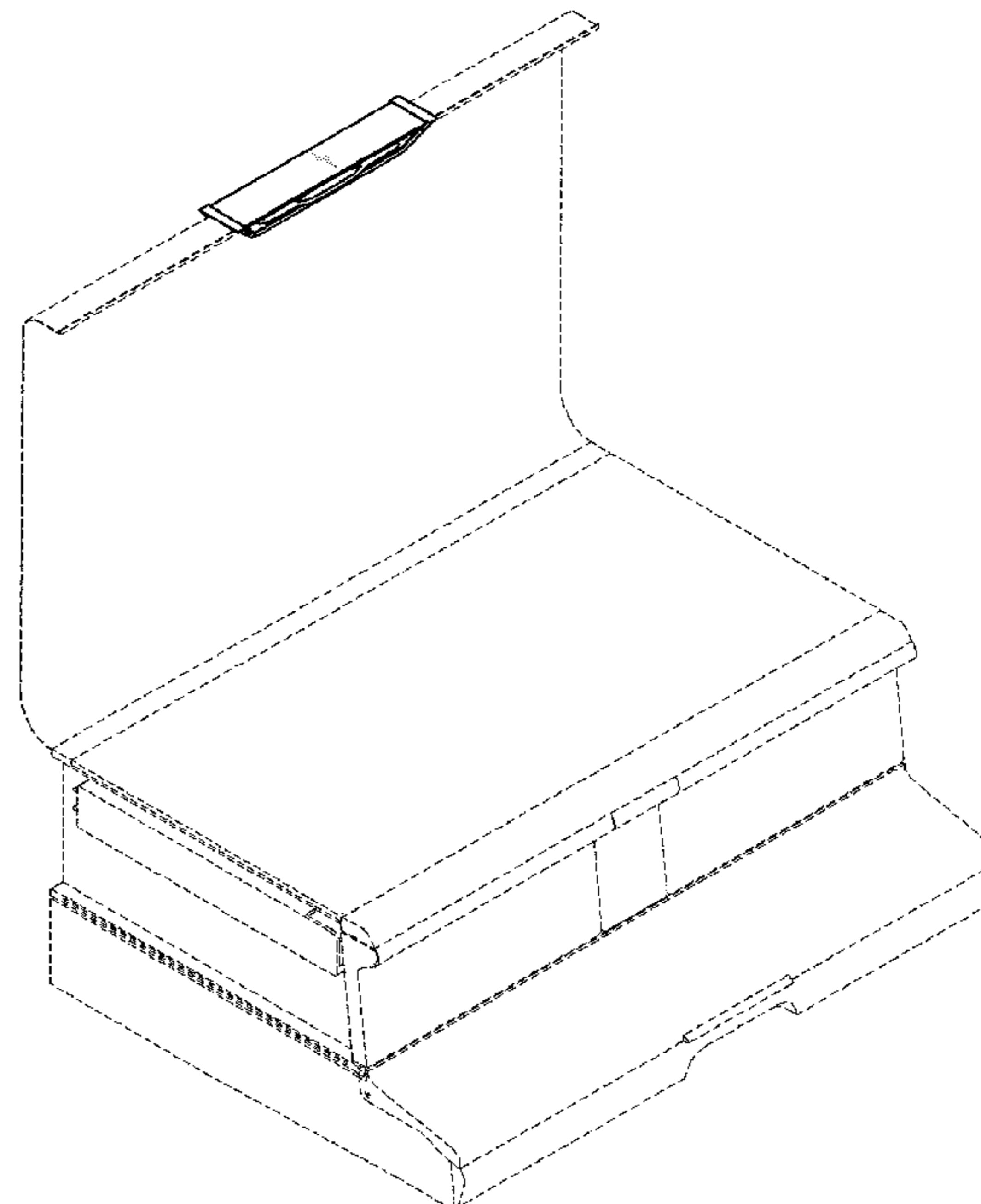
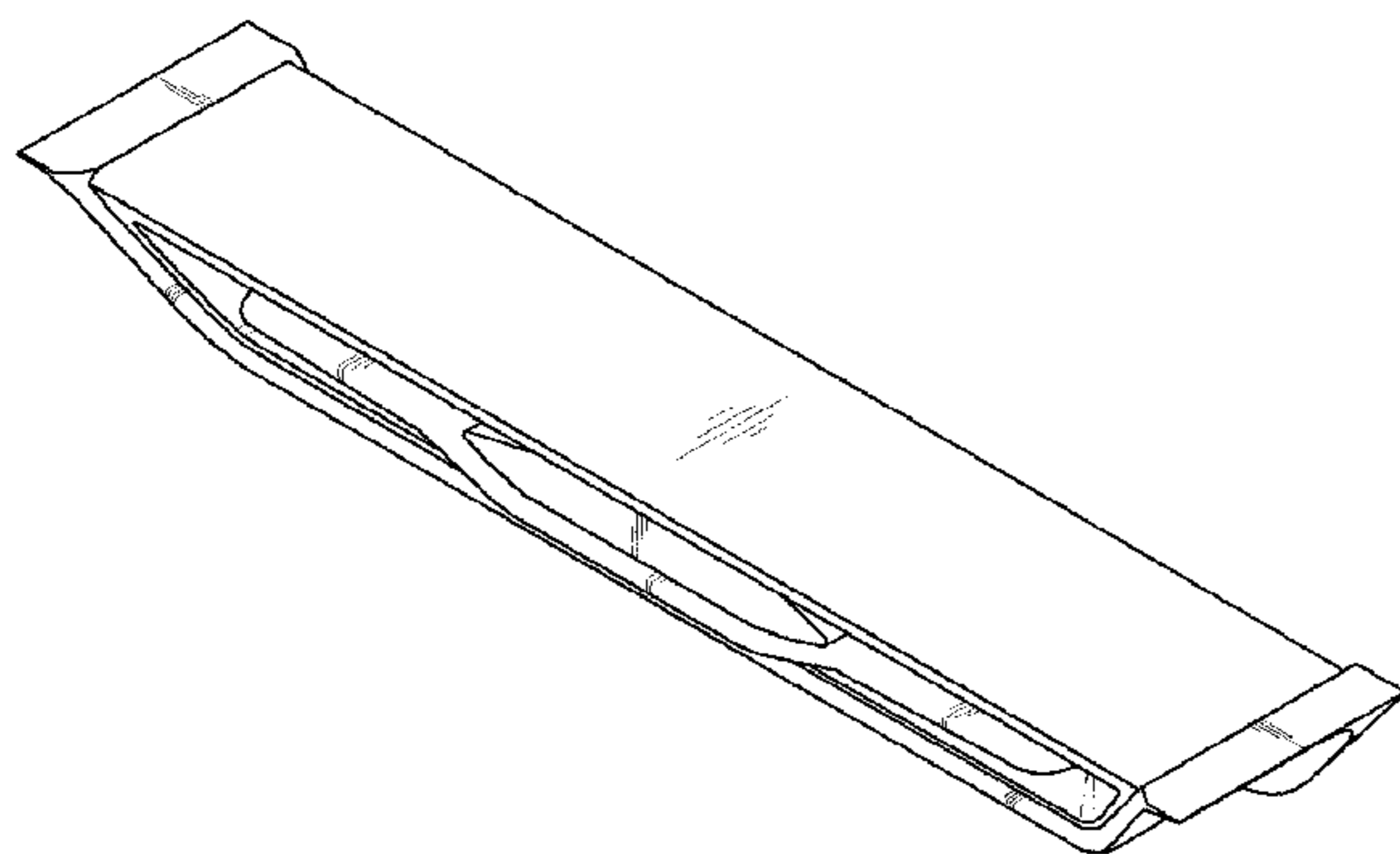


FIG. 1

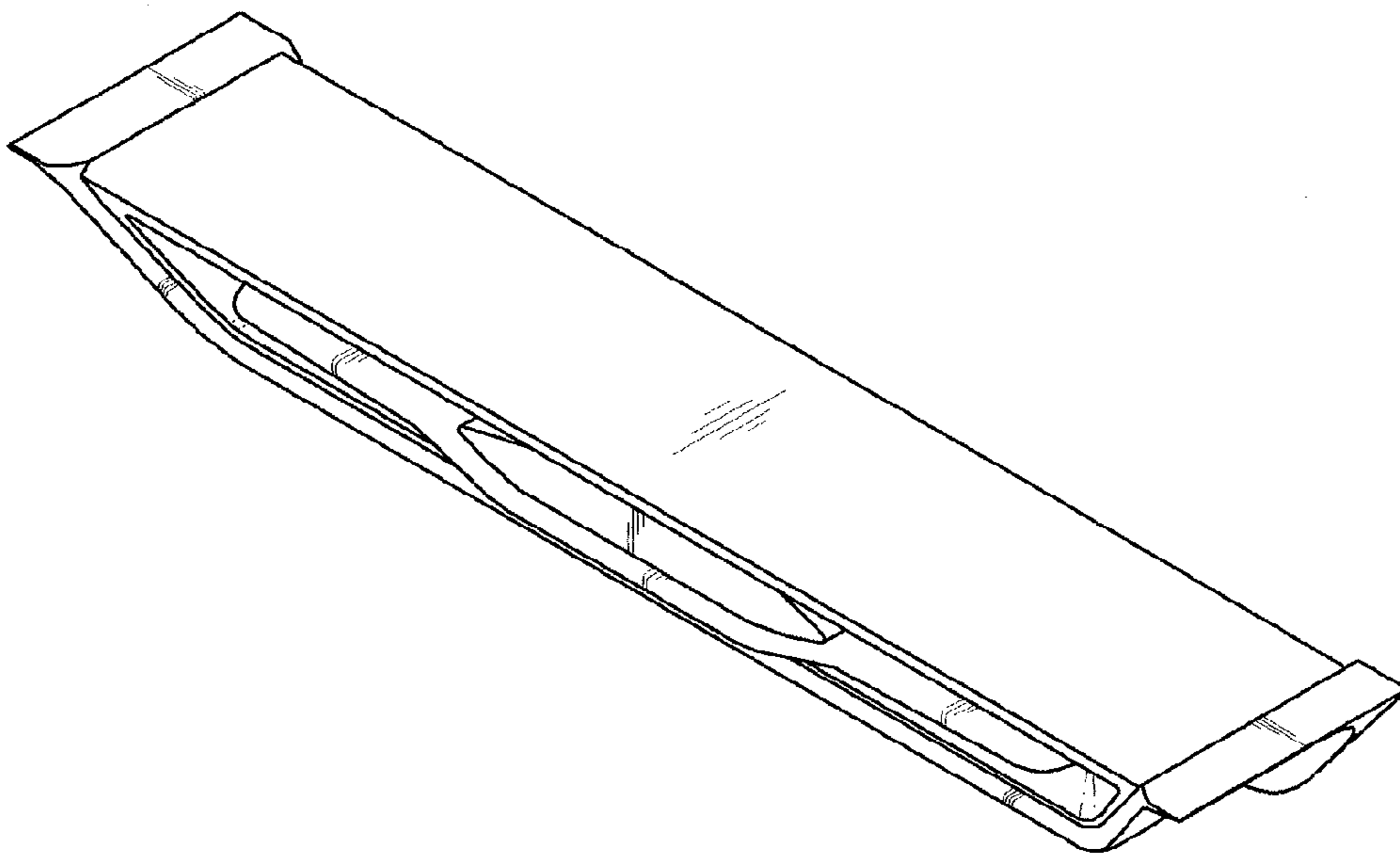


FIG. 2

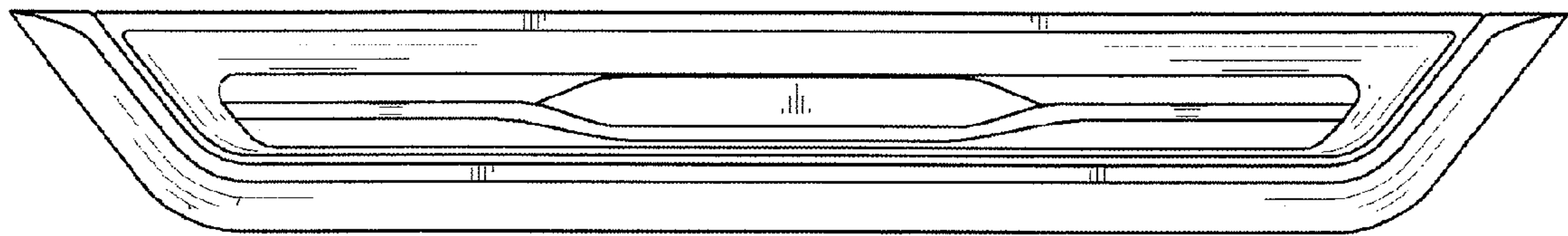


FIG. 3

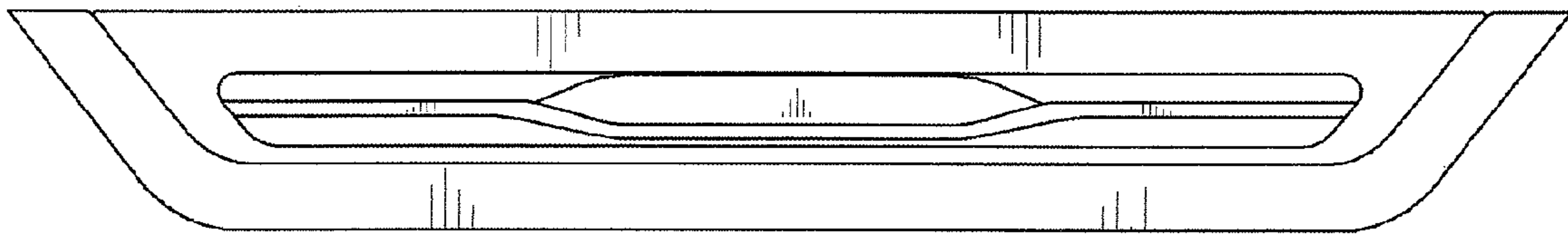


FIG. 4

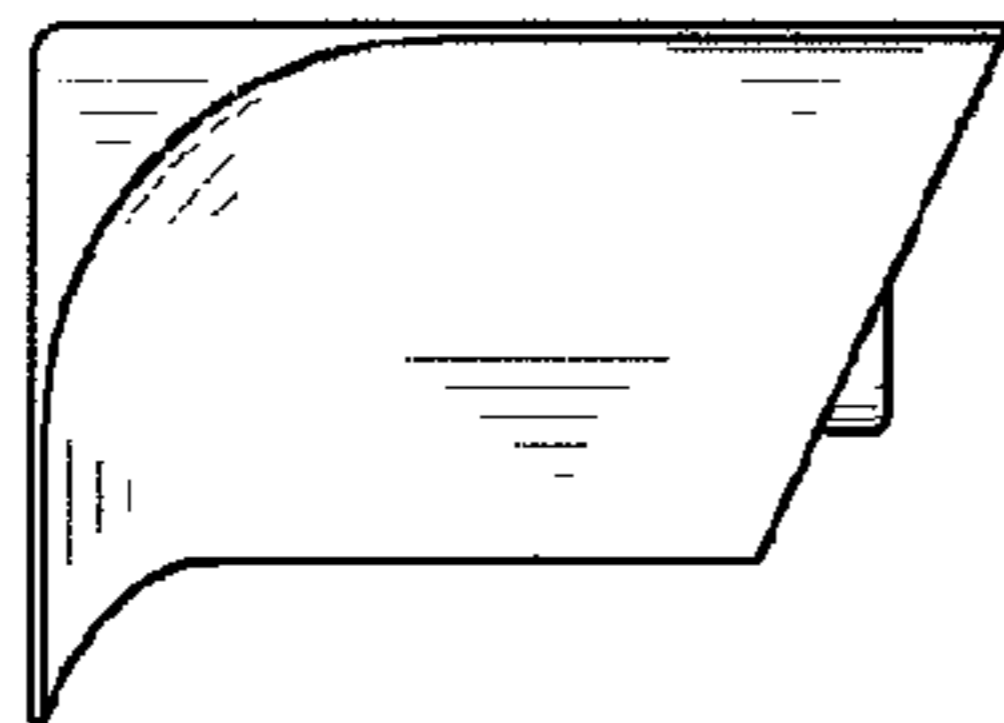


FIG. 5

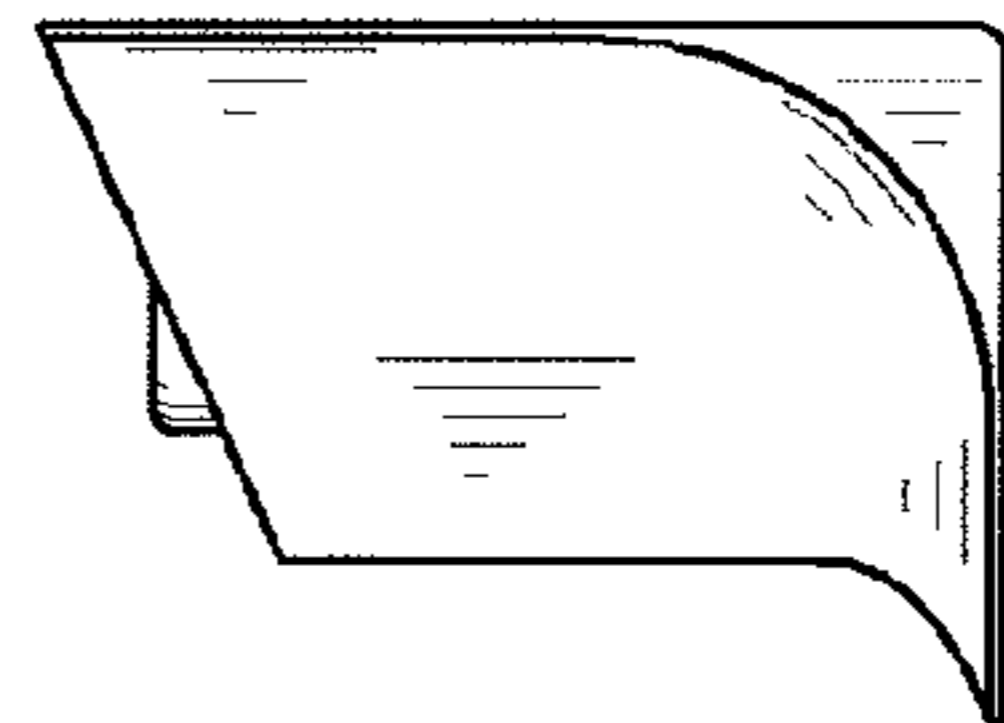


FIG. 6

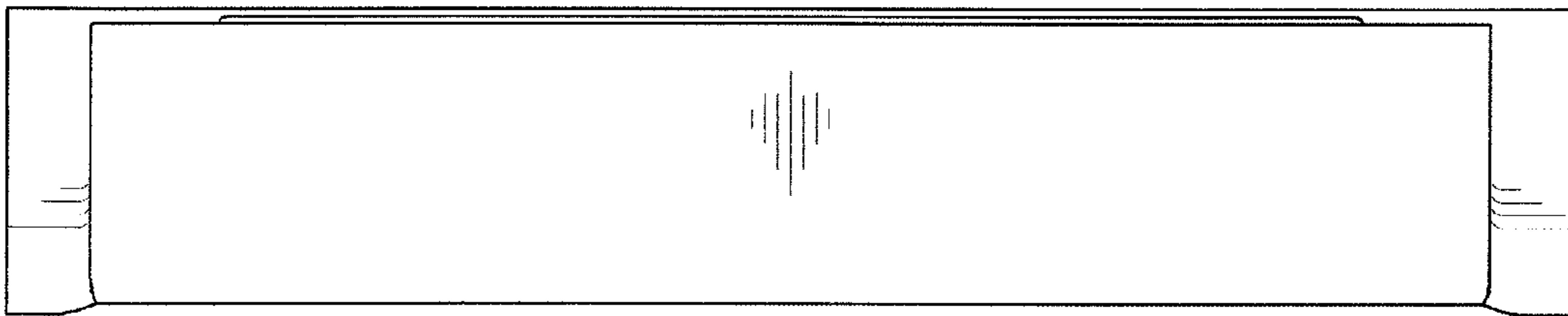


FIG. 7

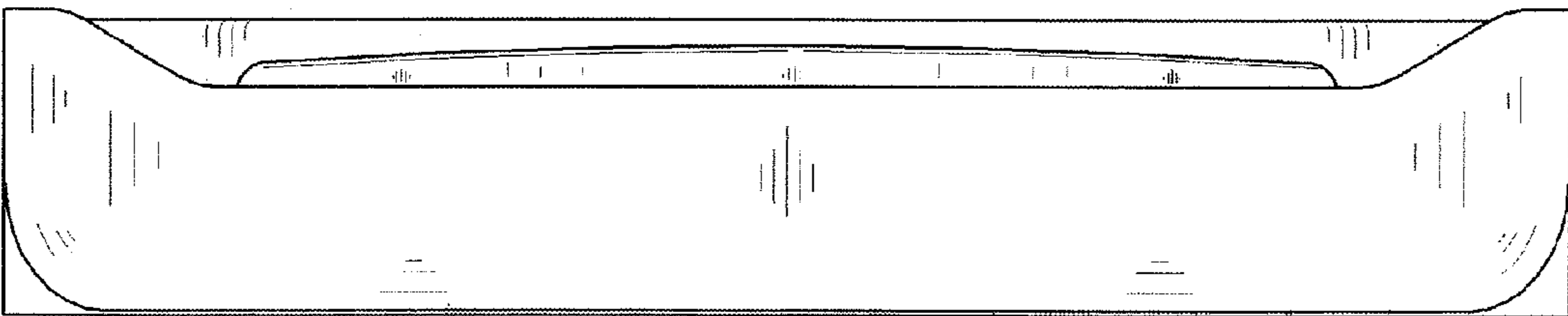


FIG. 8

