



US00D737342S

(12) **United States Design Patent**  
**Ng**

(10) **Patent No.:** **US D737,342 S**

(45) **Date of Patent:** **\*\* Aug. 25, 2015**

(54) **LOOM HOOK TOOL**

(71) Applicant: **Choon's Design LLC**, Wixom, MI (US)

(72) Inventor: **Cheong Choon Ng**, Novi, MI (US)

(73) Assignee: **Choon's Design LLC**, Wixom, MI (US)

(\*\*) Term: **14 Years**

(21) Appl. No.: **29/480,452**

(22) Filed: **Jan. 27, 2014**

**Related U.S. Application Data**

(63) Continuation of application No. 29/465,194, filed on Aug. 26, 2013, now Pat. No. Des. 721,107.

(51) **LOC (10) Cl.** ..... **15-06**

(52) **U.S. Cl.**  
USPC ..... **D15/78**

(58) **Field of Classification Search**  
USPC ..... D15/66, 72, 73, 78; D8/14, 22, 83, 98,  
D8/107, 307; D3/18, 28, 29  
CPC ..... D04B 1/00; D04B 1/02; D04B 1/025;  
D04B 1/06; D04B 1/10; D04B 1/12; D04B  
1/22; D04B 1/24; D04B 3/00; D04B 3/02;  
D04B 5/00; D04B 31/00; D04B 31/02;  
D04B 39/00; D03D 29/00; D03D 33/00;  
D03D 41/00; D03D 47/00

See application file for complete search history.

(56) **References Cited**

**U.S. PATENT DOCUMENTS**

3,986,468	A	10/1976	Szostak et al.	
D259,523	S *	6/1981	Hopper	D3/28
D270,783	S *	10/1983	Okada	D3/28
5,443,474	A	8/1995	Sfakianos et al.	
D379,750	S	6/1997	Thompson et al.	
D382,702	S *	8/1997	Matuo	D3/28
D384,253	S	9/1997	Patino	

D394,793	S	6/1998	Ma	
D493,032	S	7/2004	Eck et al.	
D597,297	S *	8/2009	Pfaff	D3/28
D597,808	S	8/2009	Lee et al.	
D633,113	S	2/2011	Selter	
D663,109	S *	7/2012	Oe et al.	D3/28

(Continued)

**FOREIGN PATENT DOCUMENTS**

AU 354361 S 2/2014

**OTHER PUBLICATIONS**

Lesson 2: Mini Rainbow Loom® video—Mini Loom Bracelet; <http://www.youtube.com/watch?v=UuHbD4m9WiU>; Sep. 30, 2012. How to Engineer a Fad; <http://theartofdoing.com/tag/rainbow-loom>; Aug. 21, 2013.

(Continued)

*Primary Examiner* — Daniel Bui

*Assistant Examiner* — Khawaja Anwar

(74) *Attorney, Agent, or Firm* — Carlson, Gaskey & Olds, P.C.

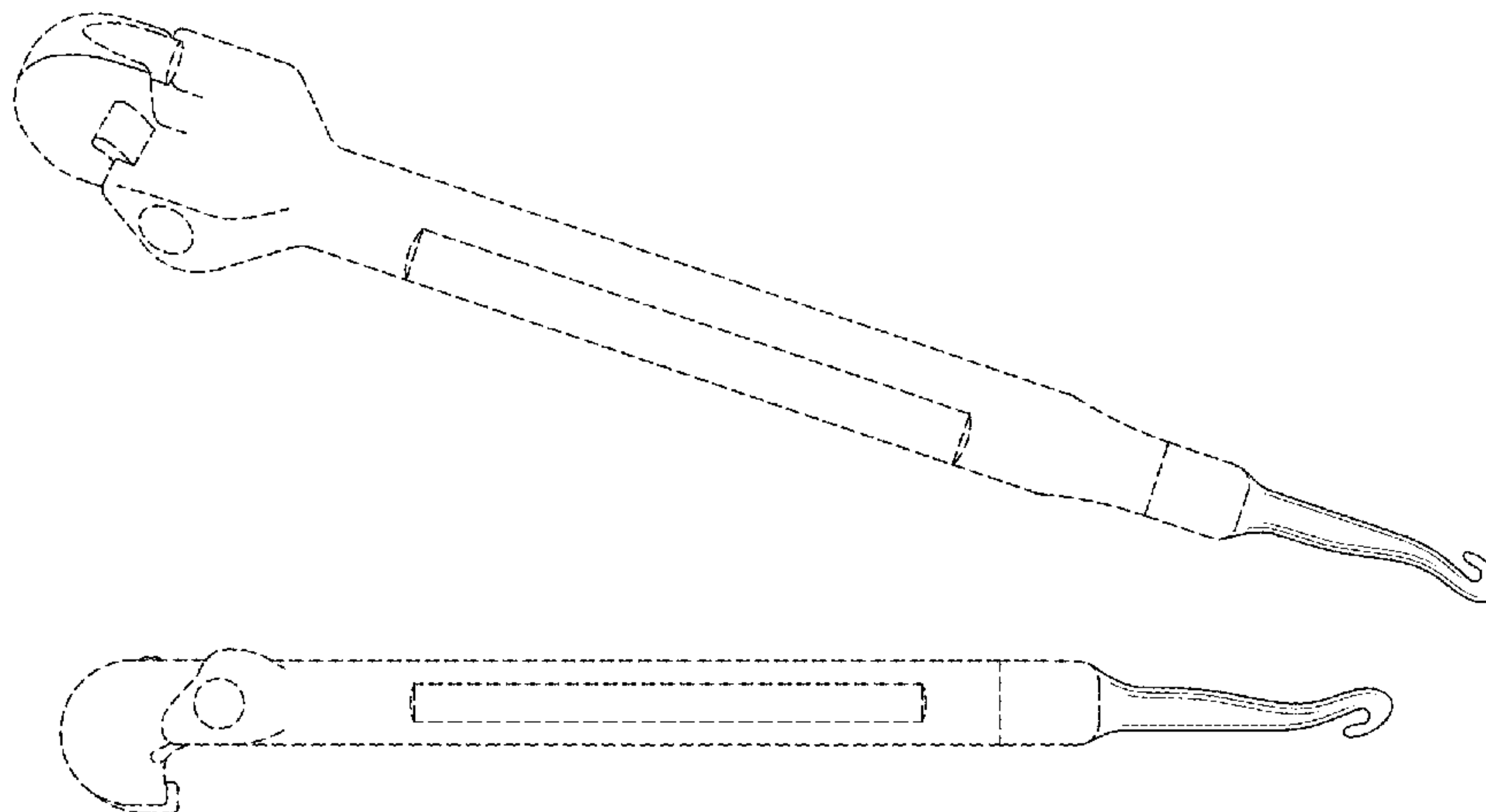
(57) **CLAIM**

The ornamental design for a loom hook tool, as shown and described.

**DESCRIPTION**

FIG. 1 is a front, top perspective view of a loom hook tool, showing my new design; FIG. 2 is a front elevation view thereof; FIG. 3 is a side elevation view thereof; FIG. 4 is another side elevation view thereof; FIG. 5 is a rear elevation view thereof; FIG. 6 is a top plan view thereof; and, FIG. 7 is a bottom plan view thereof. The broken line in the figure drawings represents unclaimed environment only and forms no part of the claimed design.

**1 Claim, 2 Drawing Sheets**



(56)

**References Cited**

U.S. PATENT DOCUMENTS

D684,451 S 6/2013 Jennings et al.  
8,622,441 B1 1/2014 Ng  
D700,819 S 3/2014 Funston  
D701,039 S \* 3/2014 Sasur ..... D3/18  
D721,107 S \* 1/2015 Ng ..... D15/78  
2012/0111064 A1\* 5/2012 Kellogg ..... 66/1 A

OTHER PUBLICATIONS

Rainbow Loom; [http://www.youtube.com/watch?v=Oqdo8ehsJ6Y&list=PLIk9e422p\\_n3wQ8OH6tZp4cmP5v3LSWL4](http://www.youtube.com/watch?v=Oqdo8ehsJ6Y&list=PLIk9e422p_n3wQ8OH6tZp4cmP5v3LSWL4); Jun. 10, 2013.  
Rainbow Loom® Starburst Bracelet; <http://www.youtube.com/watch?v=96Yihbv1wQs>; Jul. 31, 2013.  
Lesson 1: Mini Rainbow Loom® video—Single pattern bracelet; <https://www.youtube.com/watch?v=5e3KtG1qNfk>; Sep. 30, 2012.

\* cited by examiner

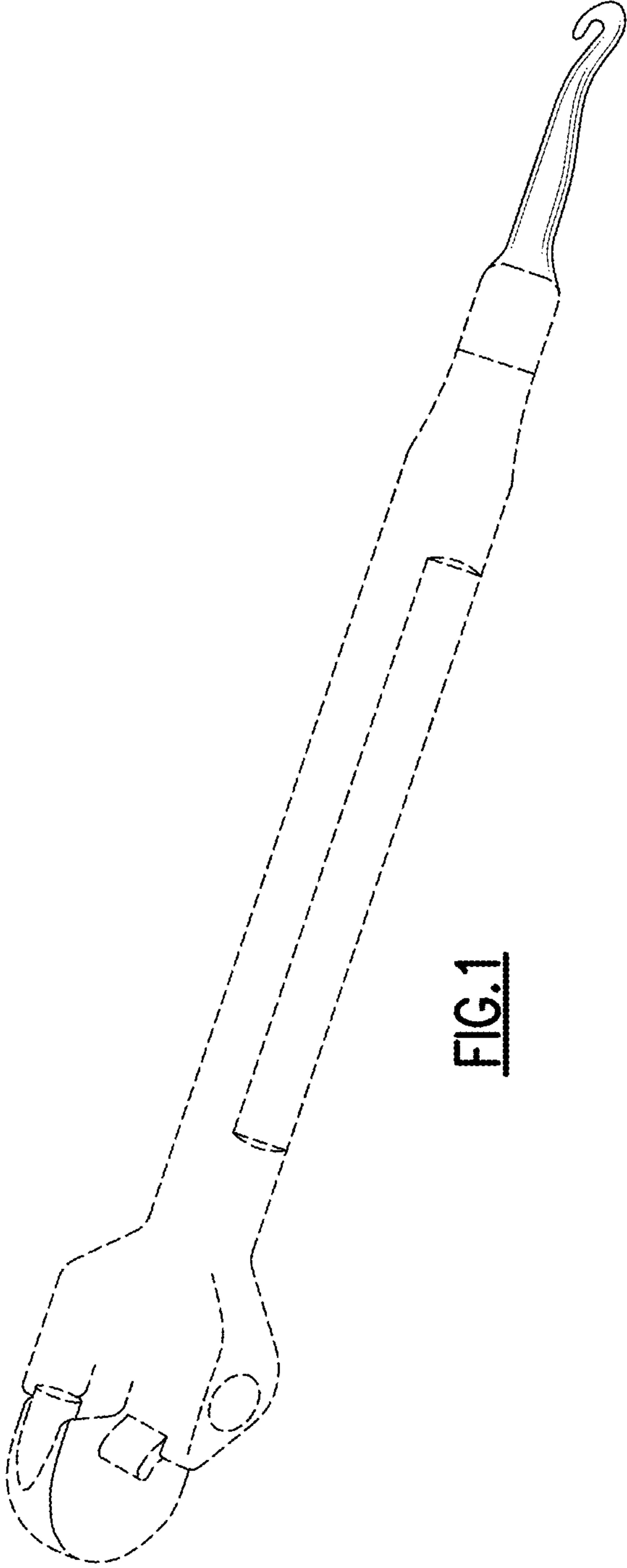


FIG.1

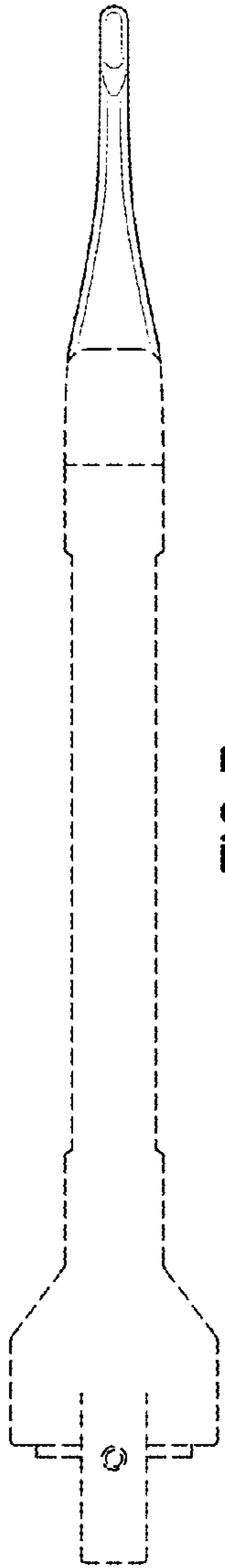


FIG. 3

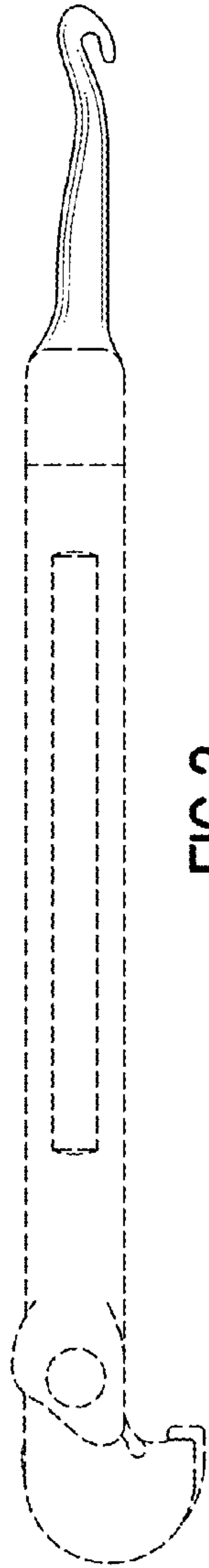


FIG. 2

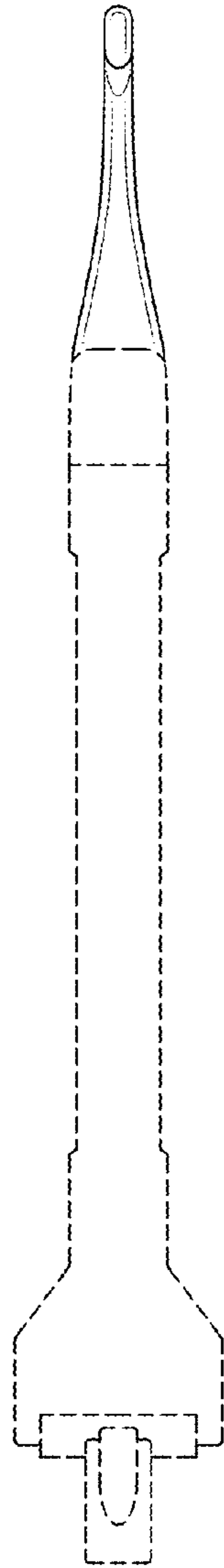


FIG. 4

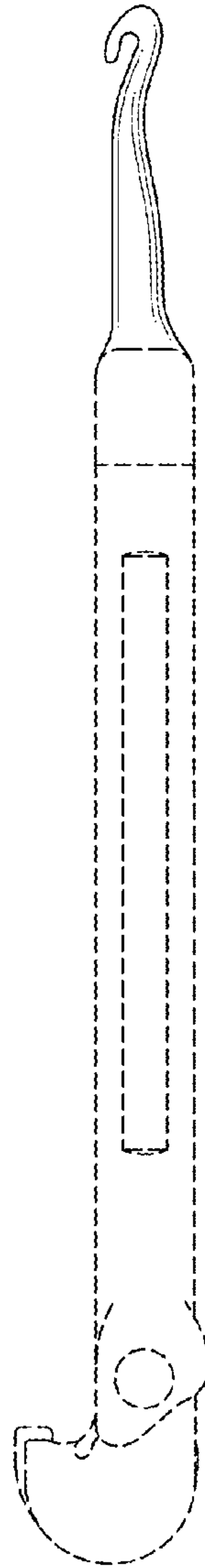


FIG. 5

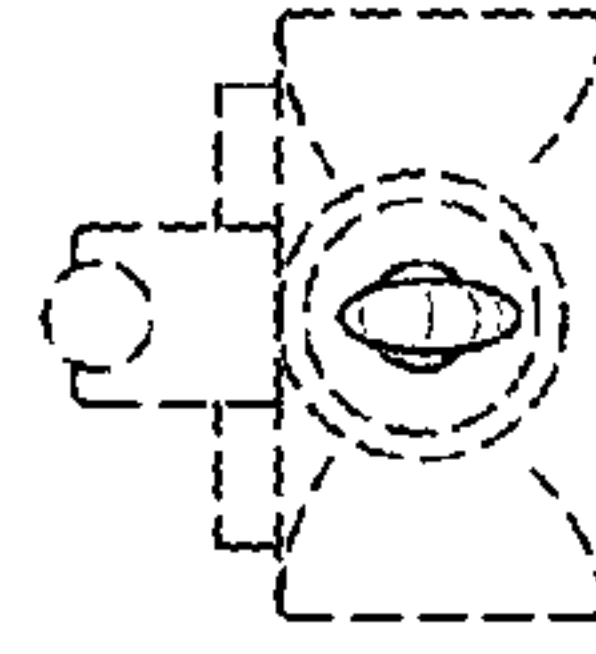


FIG. 7

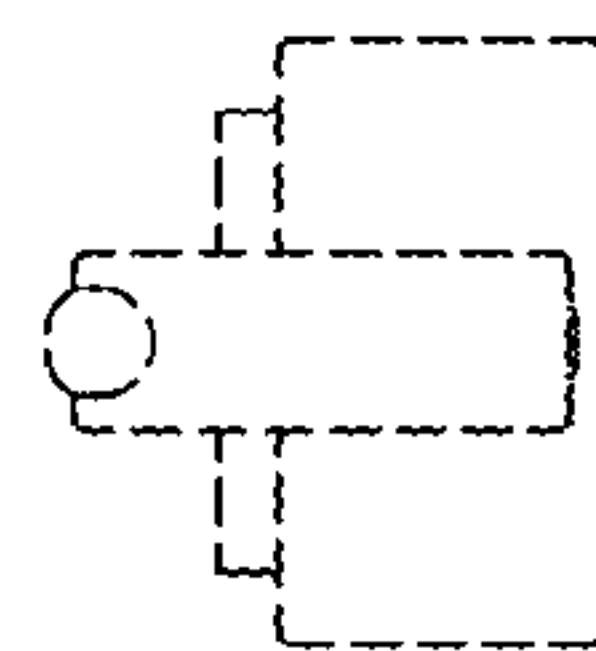


FIG. 6

UNITED STATES PATENT AND TRADEMARK OFFICE  
**CERTIFICATE OF CORRECTION**

PATENT NO. : D737,342 S  
APPLICATION NO. : 29/480452  
DATED : August 25, 2015  
INVENTOR(S) : Ng

Page 1 of 1

It is certified that error appears in the above-identified patent and that said Letters Patent is hereby corrected as shown below:

On the Title Page

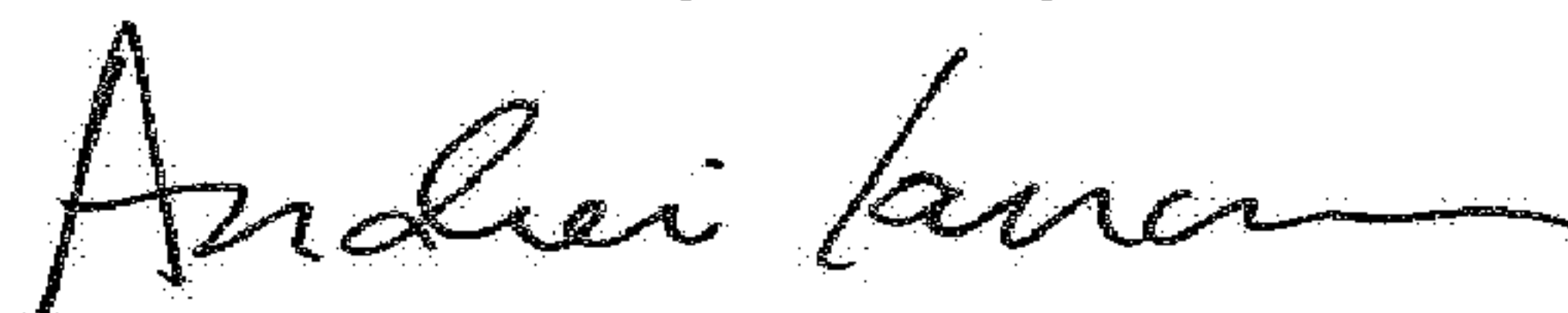
After "CLAIMS" should read as follows:

Item (57)

"I claim:

The ornamental design for a Loom Hook Tool, as shown and described."

Signed and Sealed this  
Tenth Day of July, 2018



Andrei Iancu

*Director of the United States Patent and Trademark Office*