



US00D737341S

(12) **United States Design Patent**
Shirai et al.

(10) **Patent No.:** **US D737,341 S**

(45) **Date of Patent:** **** Aug. 25, 2015**

(54) **MOTIF MAKING TOOL**

(71) Applicant: **CLOVER MFG. CO., LTD.**, Osaka-shi,
Osaka (JP)

(72) Inventors: **Rie Shirai**, Osaka (JP); **Mariko Yamaguchi**, Osaka (JP)

(73) Assignee: **CLOVER MFG. CO., LTD.**, Osaka (JP)

(**) Term: **14 Years**

(21) Appl. No.: **29/497,807**

(22) Filed: **Jul. 29, 2014**

(30) **Foreign Application Priority Data**

May 19, 2014 (JP) 2014-010621

(51) **LOC (10) Cl.** **15-06**

(52) **U.S. Cl.**
USPC **D15/66**

(58) **Field of Classification Search**
USPC D15/66-78
CPC A44C 27/00-27/008
See application file for complete search history.

(56) **References Cited**

U.S. PATENT DOCUMENTS

D134,208 S * 10/1942 McCrary D3/21
D142,530 S * 10/1945 Rosenblatt D3/25
D204,442 S * 4/1966 Brawley D15/66
D224,900 S * 10/1972 Eisenbeis D15/66
D238,812 S * 2/1976 Fioretti D15/78

D307,819 S * 5/1990 Peters D3/25
D330,668 S * 11/1992 Nagamatsu D8/71
D563,997 S * 3/2008 Gustin D15/78
D632,705 S * 2/2011 Fujihara D15/66
D676,069 S * 2/2013 Fujiwara D15/78
D700,220 S * 2/2014 Crorey D15/78
D707,732 S * 6/2014 Crorey D15/66
8,746,753 B2 * 6/2014 Crorey 289/13
D711,931 S * 8/2014 Daftari D15/66
D721,744 S * 1/2015 Daftari D15/66
8,931,811 B1 * 1/2015 Ng 289/17
8,936,283 B2 * 1/2015 Ng 289/17
8,973,955 B2 * 3/2015 Ng 289/17

* cited by examiner

Primary Examiner — Mitchell Siegel

(74) *Attorney, Agent, or Firm* — Hamre, Schumann, Mueller & Larson, P.C.

(57) **CLAIM**

We claim the ornamental design for an ornamental motif making tool, as shown and described.

DESCRIPTION

FIG. 1 is a front side perspective view of an ornamental motif making tool showing our new design;
FIG. 2 is a rear side perspective view of the same;
FIG. 3 is a front view of the same;
FIG. 4 is a rear view of the same;
FIG. 5 is a left side view of the same;
FIG. 6 is a right side view of the same;
FIG. 7 is a top plan view of the same; and,
FIG. 8 is a bottom view of the same.

1 Claim, 8 Drawing Sheets

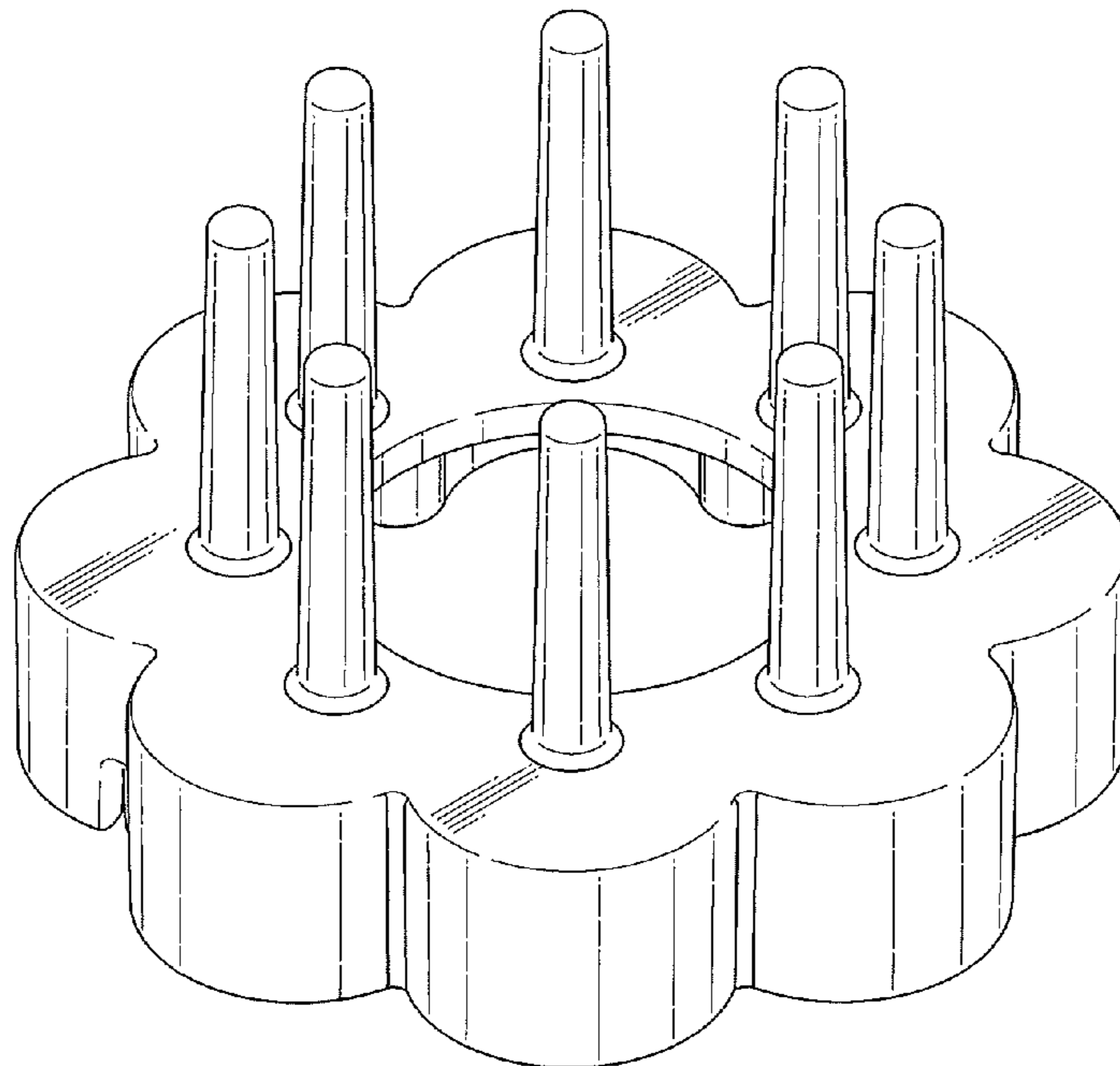


Fig. 1

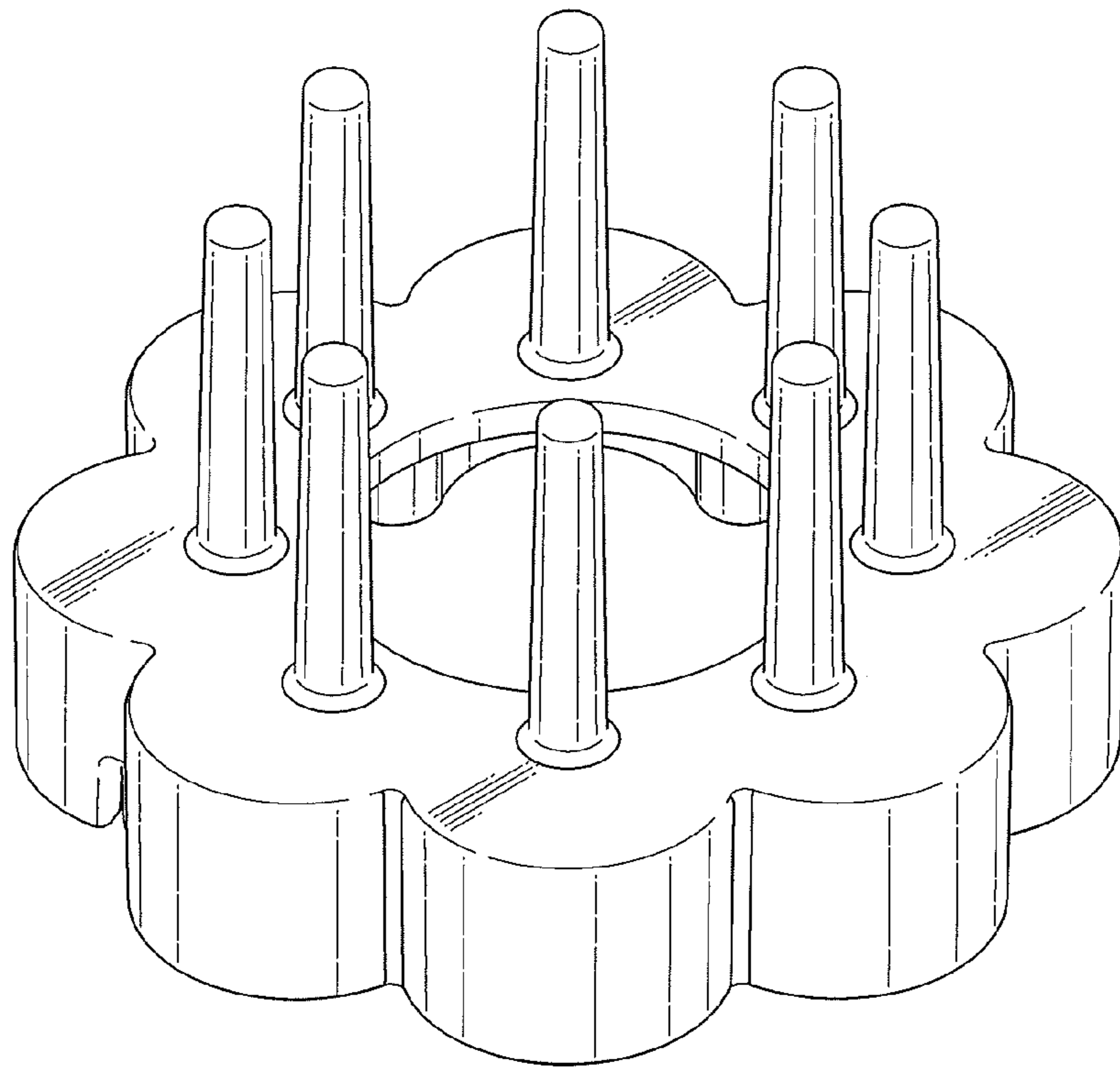


Fig. 2

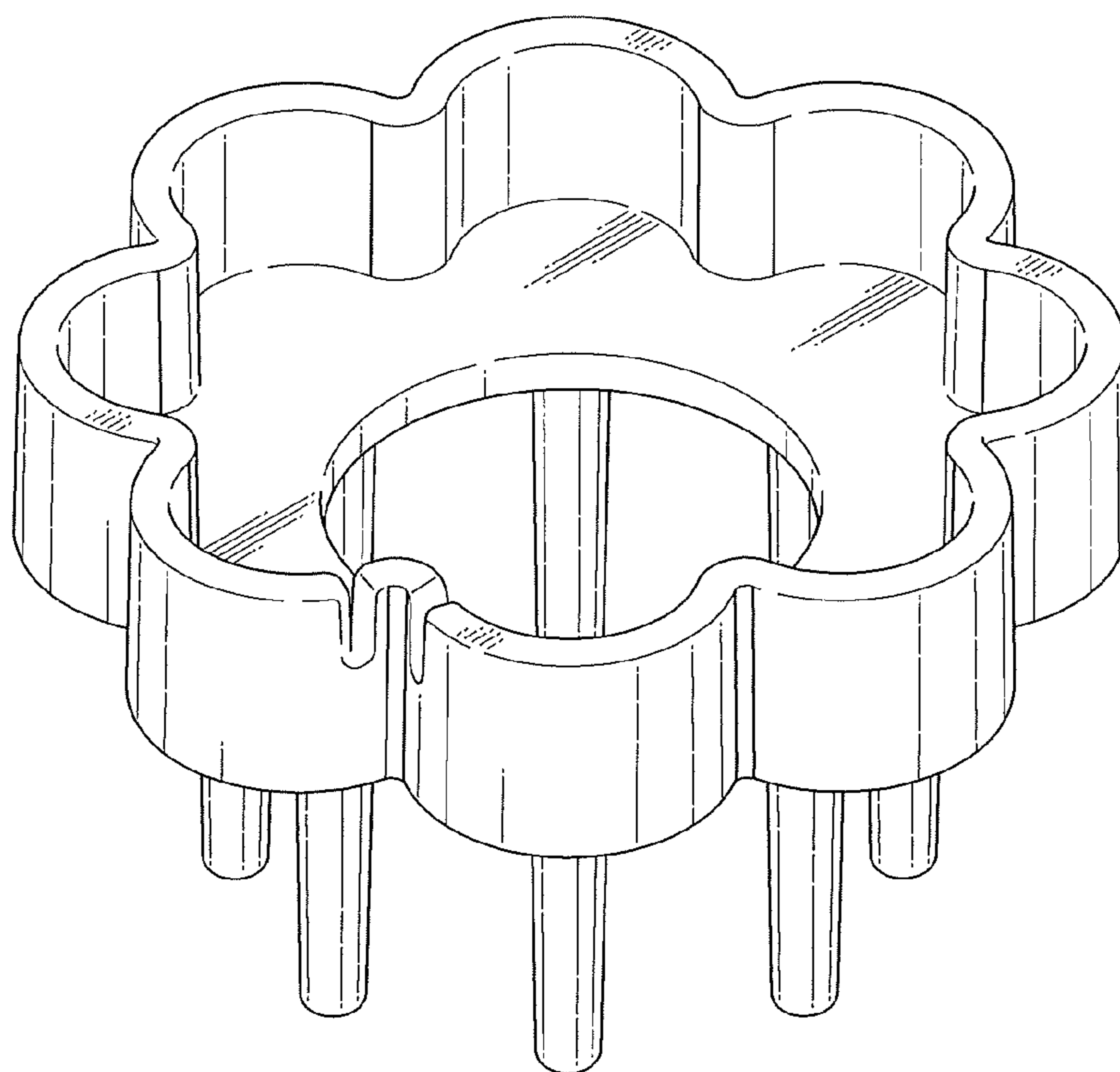


Fig. 3

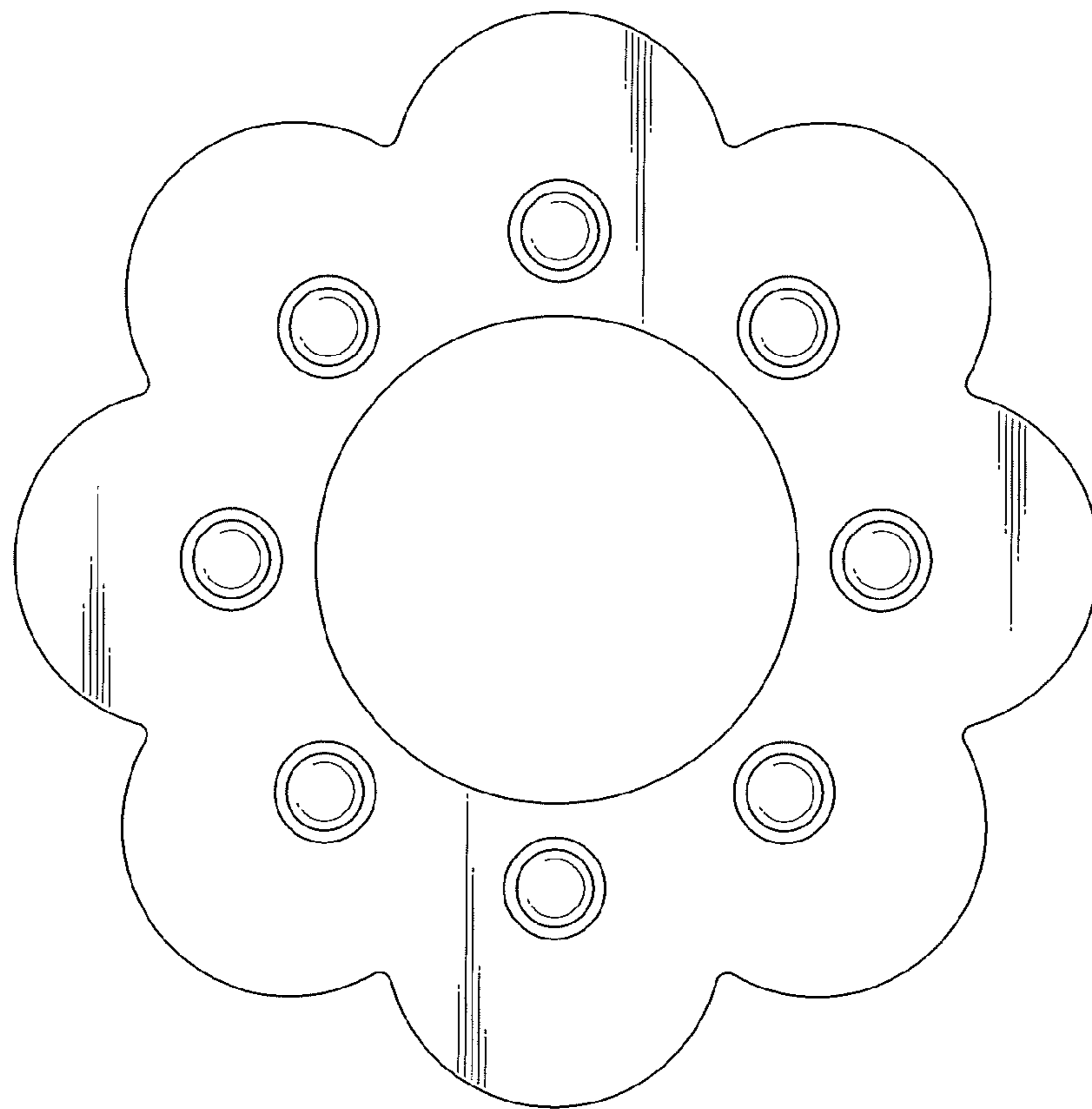


Fig. 4

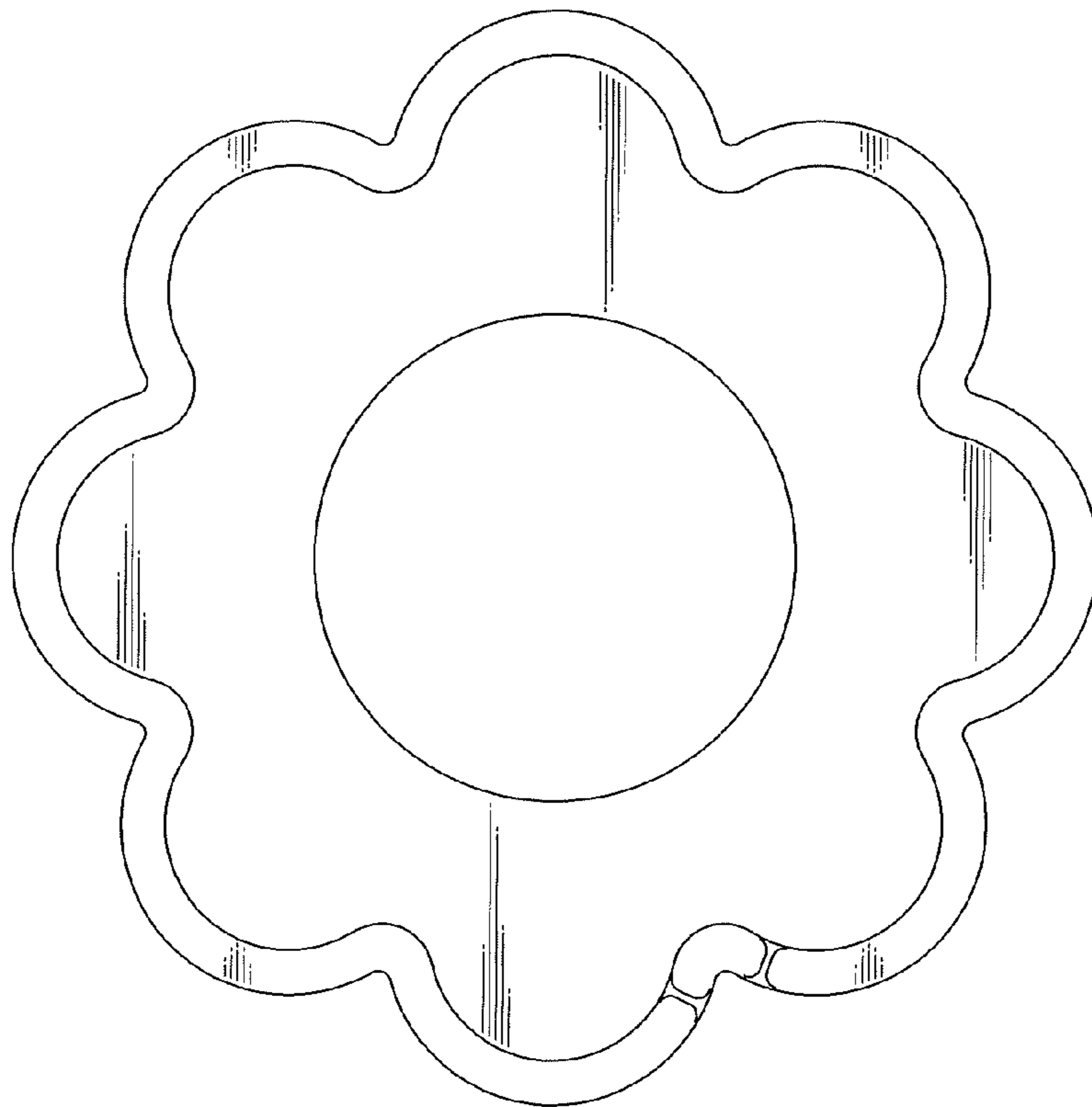


Fig. 5

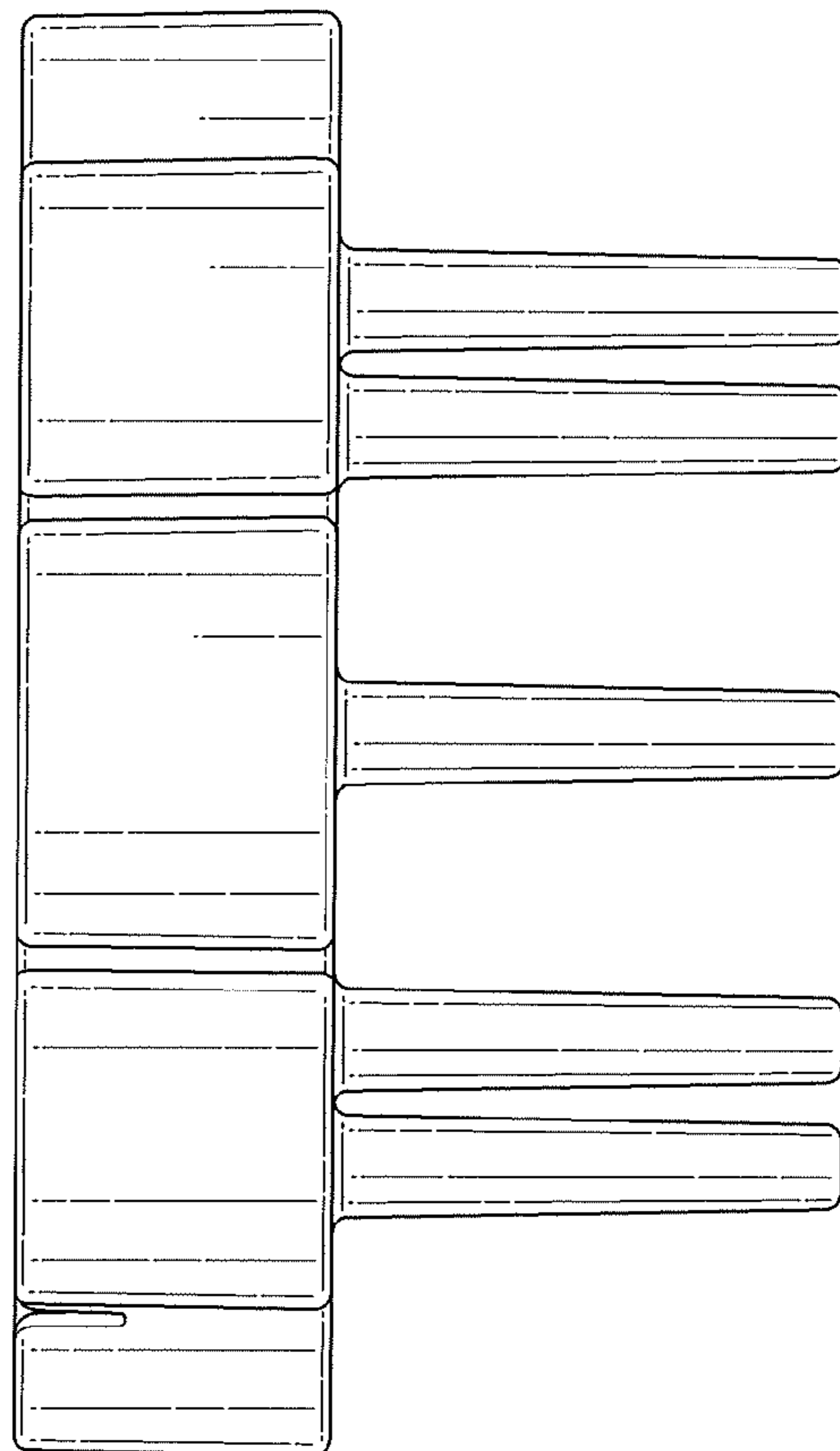


Fig. 6

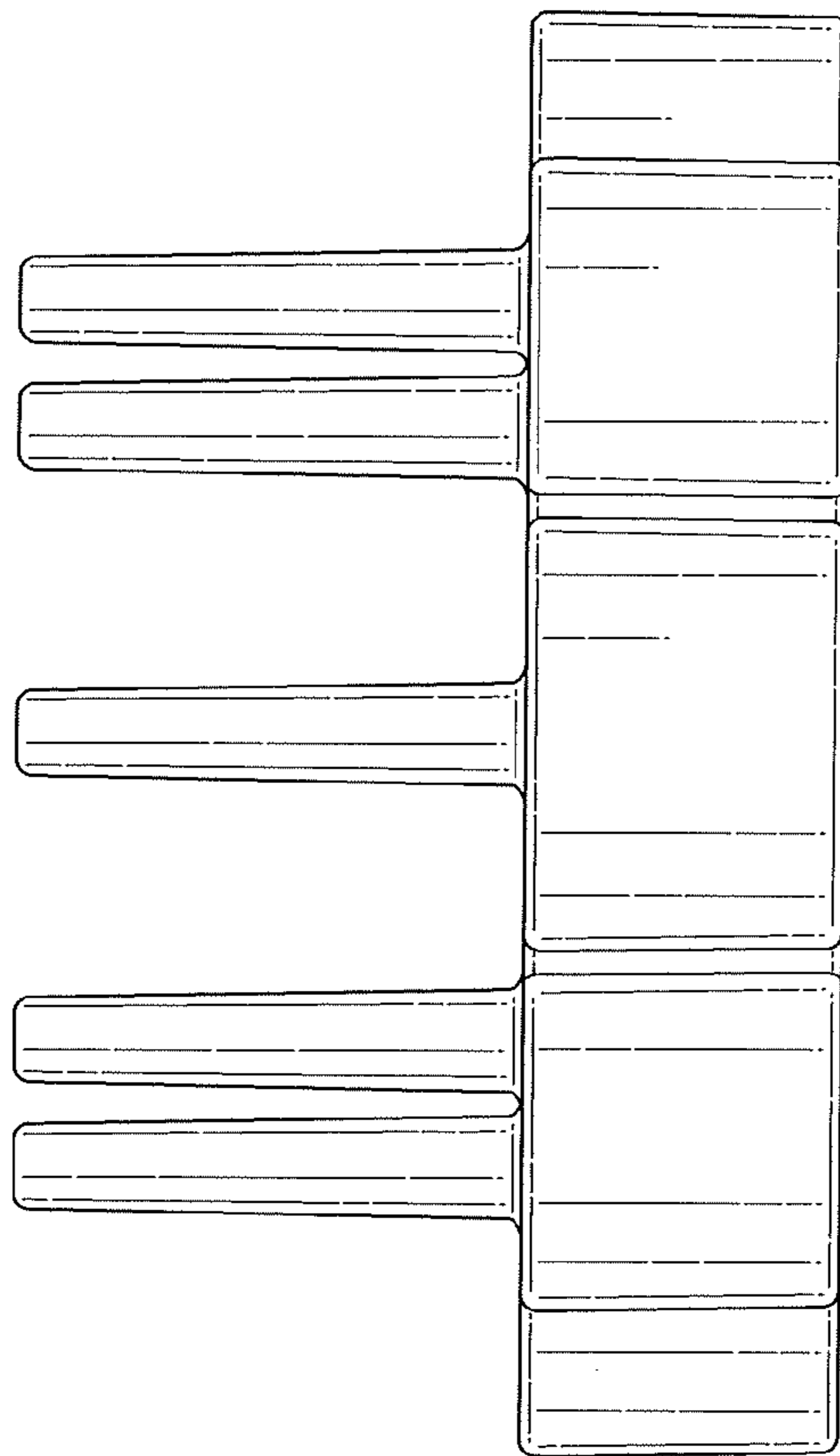


Fig. 7

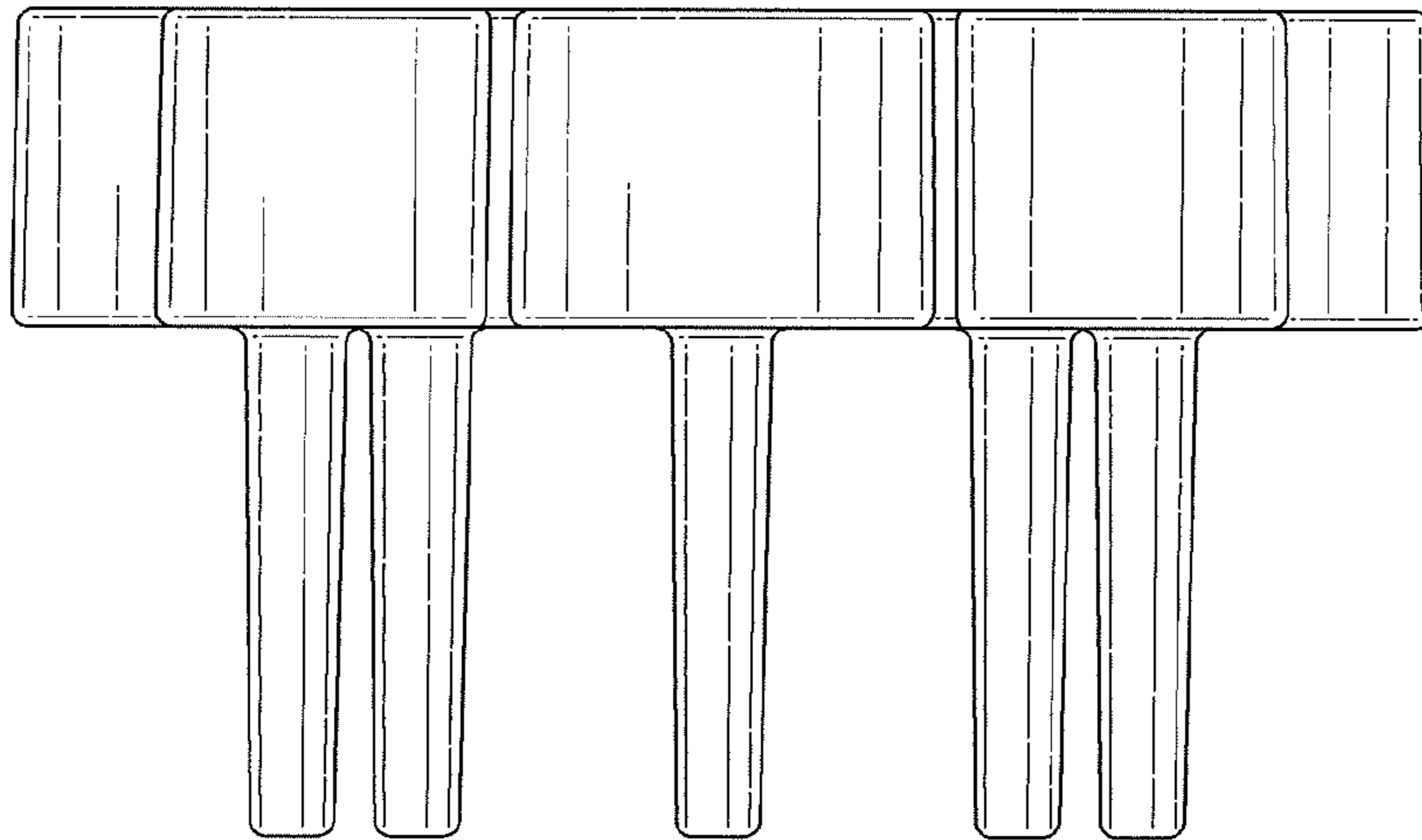


Fig. 8

