



US00D737339S

(12) **United States Design Patent**
Drake et al.

(10) **Patent No.:** **US D737,339 S**

(45) **Date of Patent:** **** Aug. 25, 2015**

(54) **DIGGING TOOTH ASSEMBLY SECUREMENT MEMBER**

(56) **References Cited**

U.S. PATENT DOCUMENTS

(71) Applicants: **Russell N. Drake**, Claremore, OK (US);
Brian L. Launder, Tulsa, OK (US);
Charles Clendenning, Broken Arrow, OK (US)

5,068,986	A *	12/1991	Jones	37/457
D339,593	S *	9/1993	Johansson	D15/29
5,386,653	A *	2/1995	Cornelius	37/454
D379,630	S *	6/1997	Brockway	D15/29
5,782,019	A *	7/1998	Launder et al.	37/446
D463,460	S *	9/2002	Siebeck et al.	D15/29
D617,351	S *	6/2010	Brockway	D15/28
8,024,874	B2 *	9/2011	McClanahan et al.	37/452
8,127,475	B2 *	3/2012	Harder et al.	37/452
8,347,530	B2	1/2013	Launder et al.	
D692,926	S *	11/2013	Caron et al.	D15/28

(72) Inventors: **Russell N. Drake**, Claremore, OK (US);
Brian L. Launder, Tulsa, OK (US);
Charles Clendenning, Broken Arrow, OK (US)

* cited by examiner

(73) Assignee: **H&L TOOTH COMPANY**, Tulsa, OK (US)

Primary Examiner — Robin V Webster

(74) *Attorney, Agent, or Firm* — Law Office of John W. Harbst

(**) Term: **14 Years**

(57) **CLAIM**

The ornamental design for a digging tooth assembly securement member, as shown and described.

(21) Appl. No.: **29/442,609**

DESCRIPTION

(22) Filed: **Apr. 3, 2013**

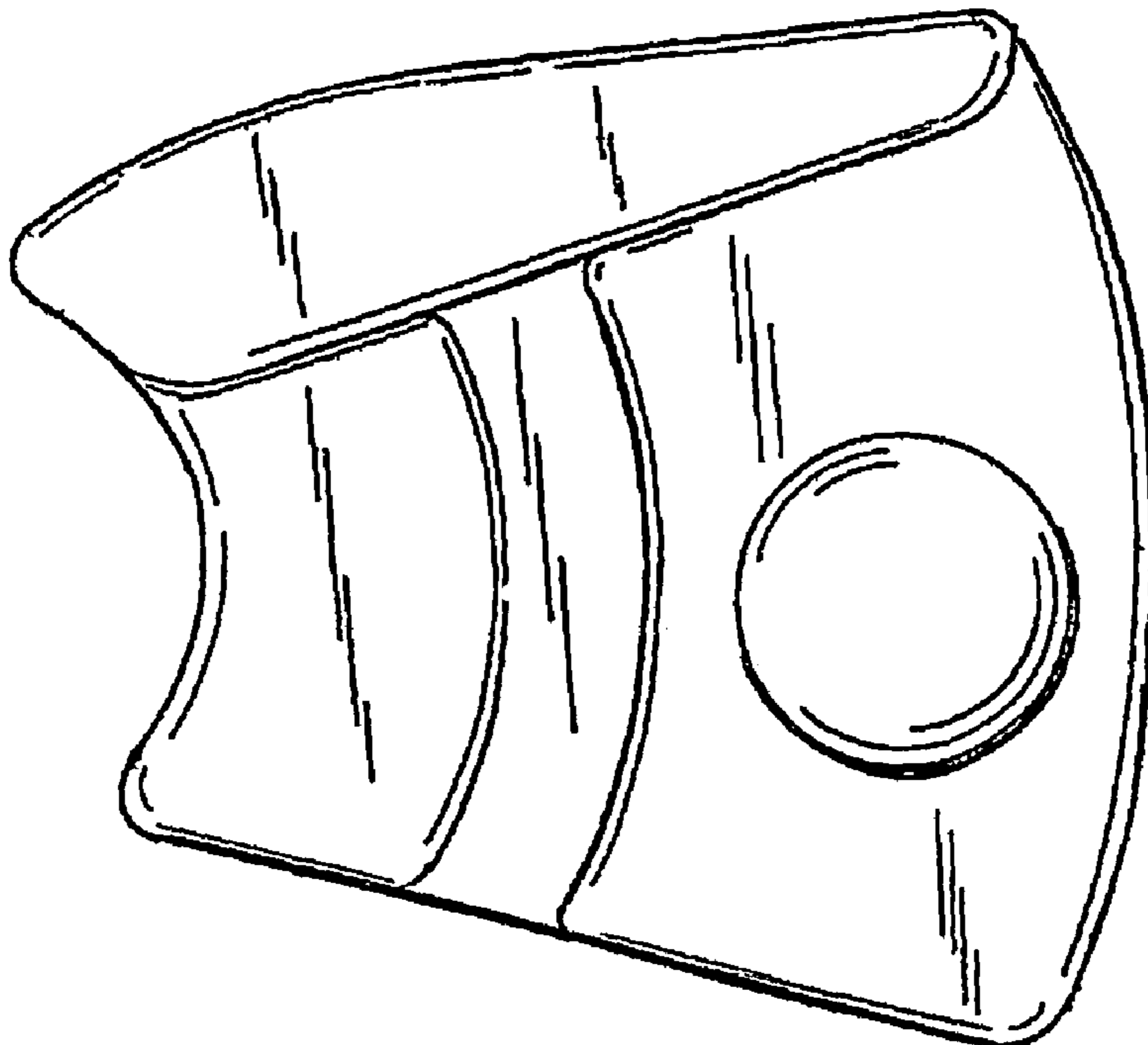
FIG. 1 is a front side elevational view of a digging tooth assembly securement member;
FIG. 2 is a rear side elevational thereof;
FIG. 3 is a top plan view thereof;
FIG. 4 is a bottom plan view thereof;
FIG. 5 is a left side elevational view thereof; and,
FIG. 6 is a right side elevational view thereof.

(51) **LOC (10) Cl.** **15-03**

(52) **U.S. Cl.**
USPC **D15/29**

(58) **Field of Classification Search**
USPC D15/28, 29; 37/446, 452, 454, 455, 457
See application file for complete search history.

1 Claim, 2 Drawing Sheets



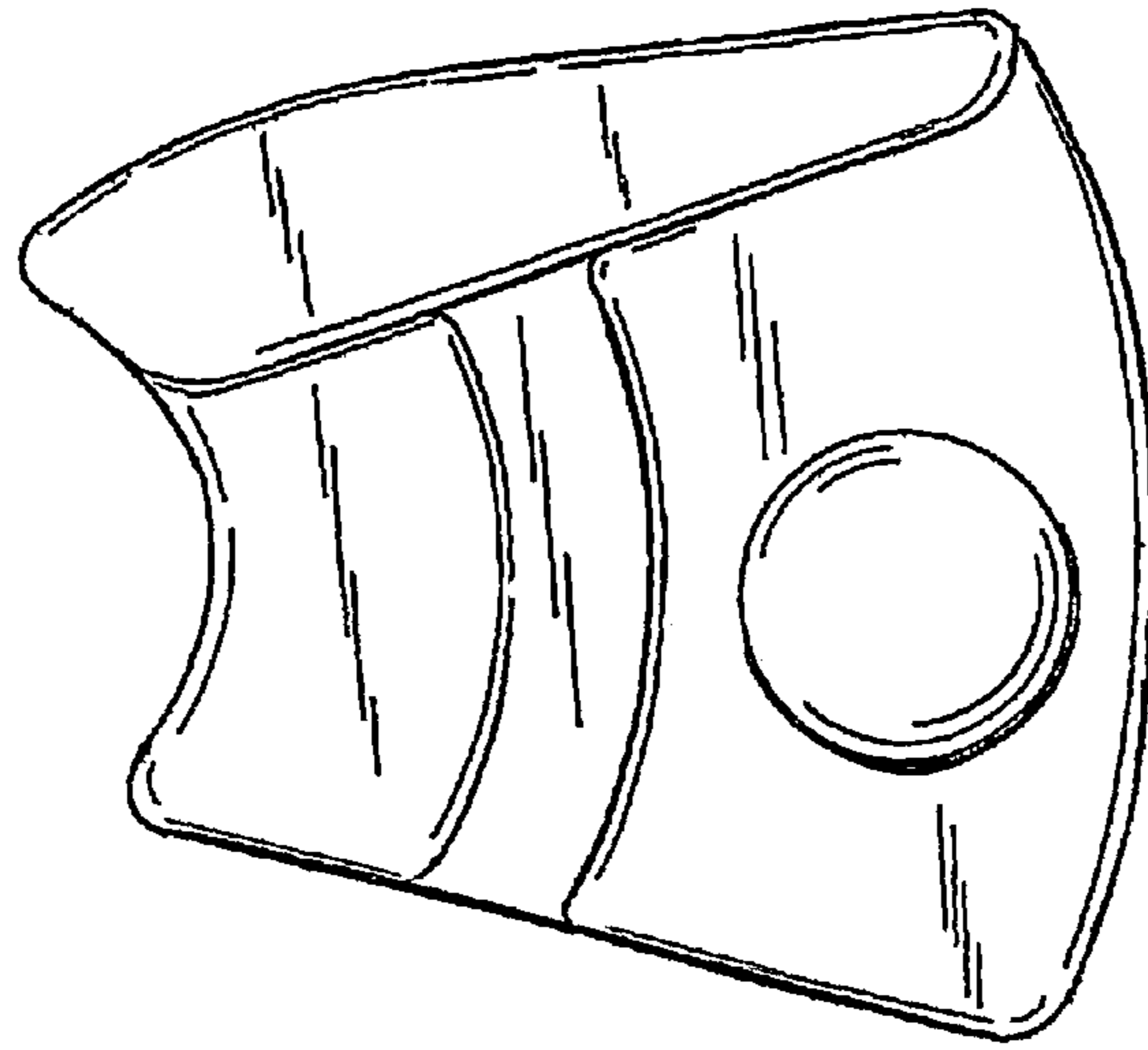


FIG. 1

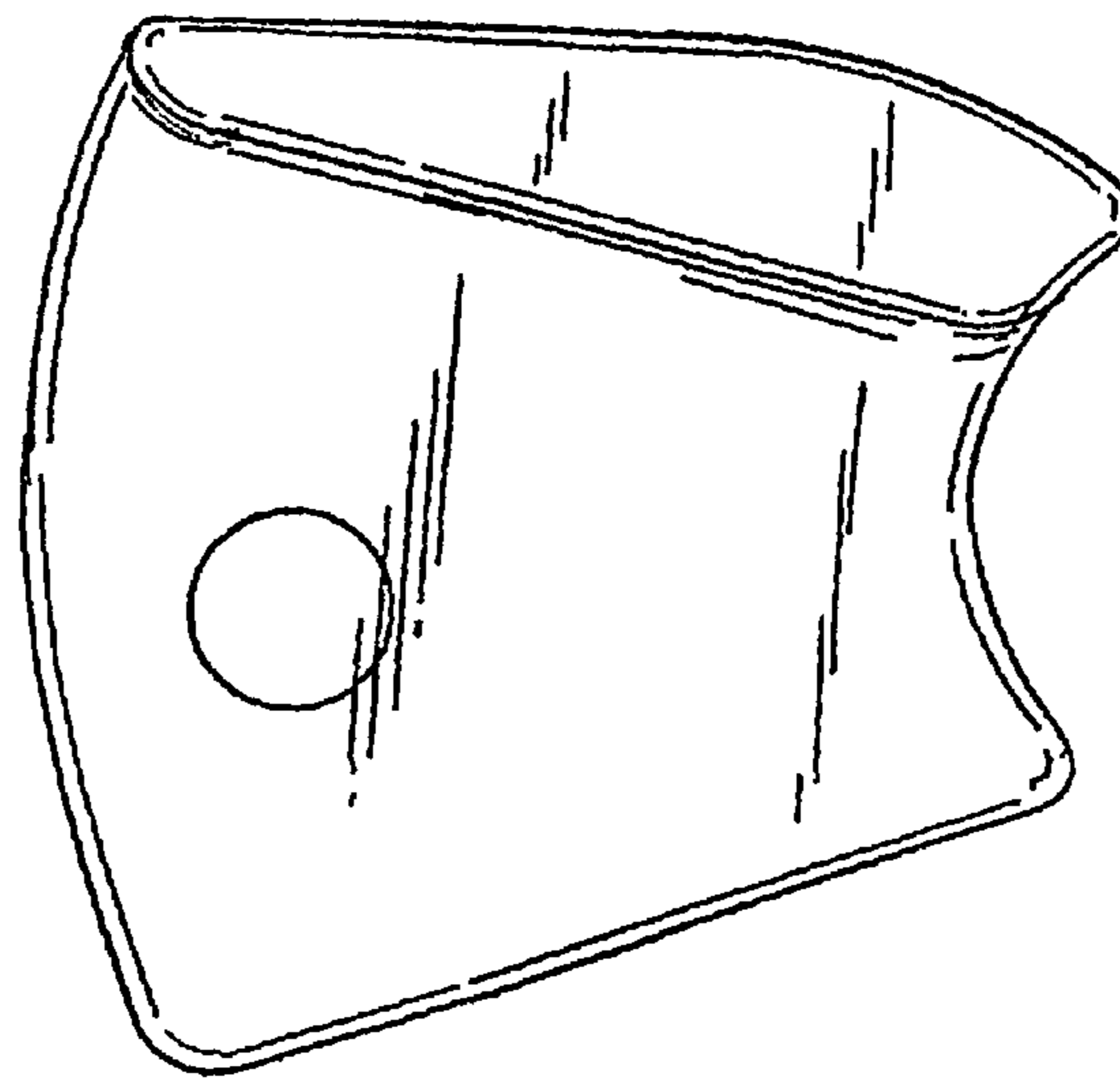


FIG. 2

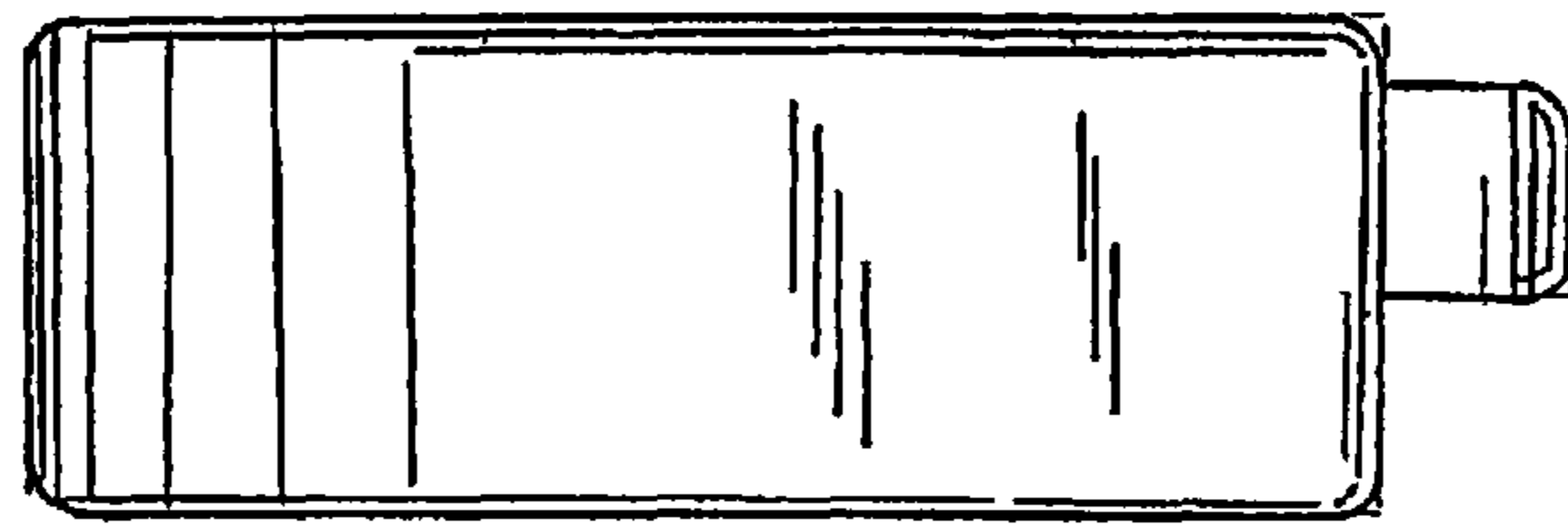


FIG. 3

FIG. 4

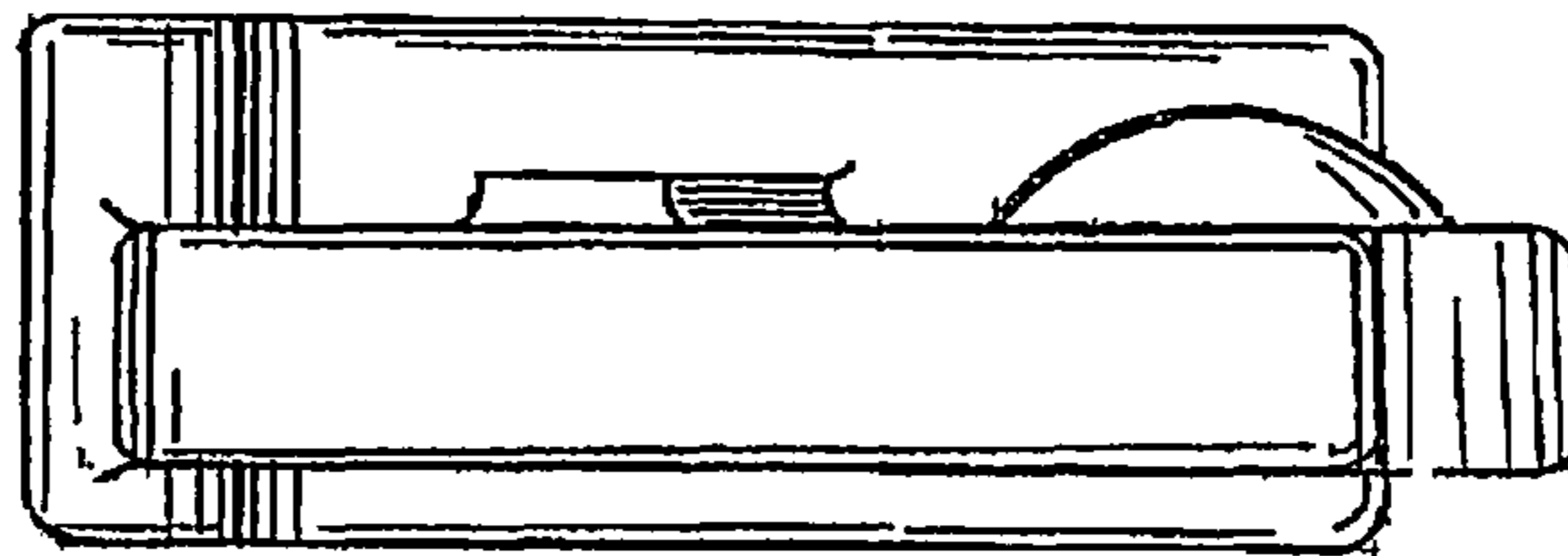


FIG. 5

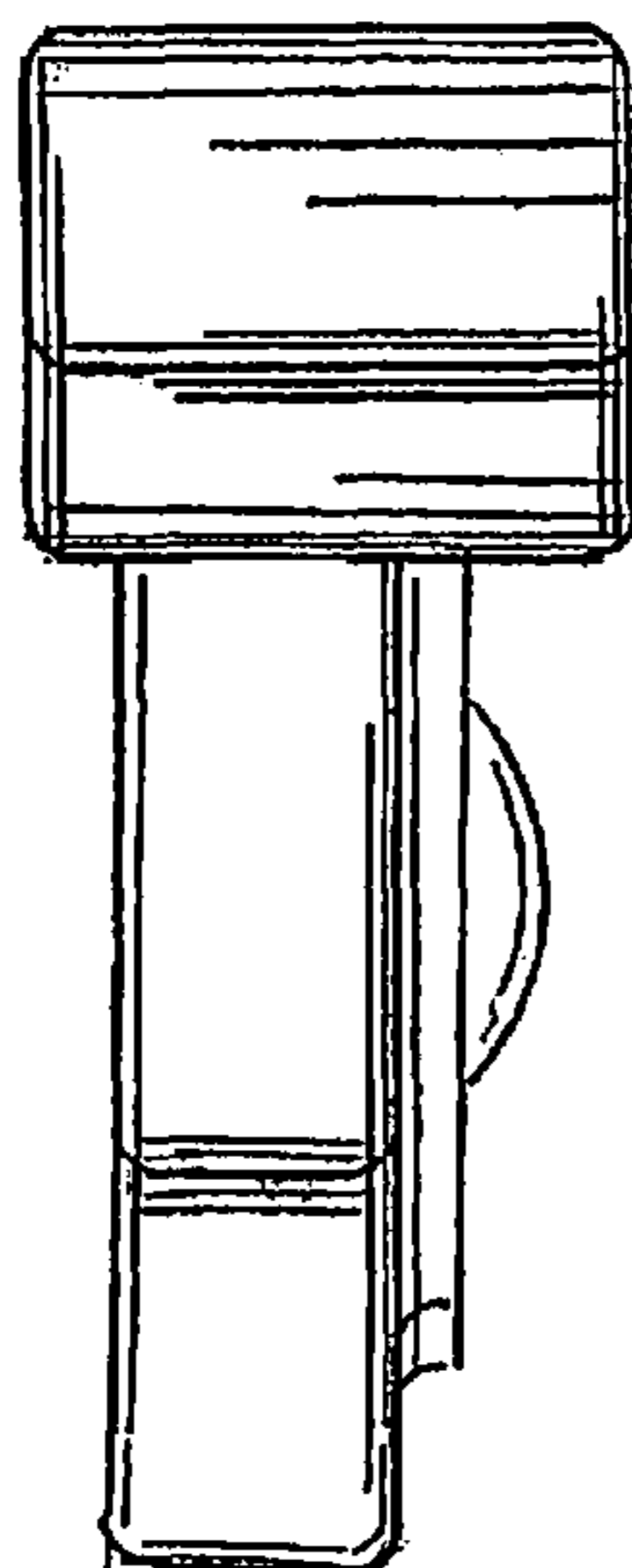


FIG. 6

