



US00D737335S

(12) **United States Design Patent**
Cmich et al.

(10) **Patent No.:** **US D737,335 S**
(45) **Date of Patent:** **** Aug. 25, 2015**

(54) **AUGER HOUSING WITH DRIFT CUTTERS FOR A SNOW THROWER**

4,255,880 A 3/1981 McMickle et al.
D260,898 S * 9/1981 Chieda et al. D15/12
4,288,933 A 9/1981 Fair
4,300,295 A 11/1981 Heismann
4,325,195 A 4/1982 Comer

(71) Applicant: **MTD Products Inc.**, Valley City, OH (US)

(Continued)

(72) Inventors: **Ryan Cmich**, Sharon Township, OH (US); **Tim Dilgard**, Ashland, OH (US); **Jimmy N. Eavenson, Sr.**, Aurora, OH (US); **Dave Hein**, Elyria, OH (US); **Joe Jocke**, Grafton Township, OH (US); **Amit Saha**, Hudson, OH (US)

FOREIGN PATENT DOCUMENTS

DE 35 18 442 1/1986
DE 10 2004 003111 8/2004

OTHER PUBLICATIONS

(73) Assignee: **MTD Products Inc**, Valley City, OH (US)

International Search Report and Written Opinion dated Aug. 14, 2013 for corresponding application No. PCT/US2013/026427.

(Continued)

(**) Term: **14 Years**

Primary Examiner — Mark Goodwin

(21) Appl. No.: **29/469,057**

(74) *Attorney, Agent, or Firm* — Wegman, Hessler & Vanderburg

(22) Filed: **Oct. 7, 2013**

Related U.S. Application Data

(63) Continuation of application No. 13/465,625, filed on May 7, 2012, now Pat. No. 8,844,172.

(51) **LOC (10) Cl.** **15-03**

(52) **U.S. Cl.**
USPC **D15/11; D15/12**

(58) **Field of Classification Search**
USPC D15/11, 12; 198/676; 37/251, 242-250, 37/254, 257-260, 227, 214, 266, 252; 180/272; 192/224.2; 172/754, 765, 172/771, 772.5, 816
See application file for complete search history.

(57) **CLAIM**

We claim the ornamental design for an auger housing with drift cutters for a snow thrower, as shown and described.

DESCRIPTION

FIG. 1 is a top front perspective view of an auger housing with drift cutters for a snow thrower of the present invention; FIG. 2 is another top front perspective view thereof; FIG. 3 is a top rear perspective view thereof; FIG. 4 is a first side view thereof; FIG. 5 is a second side view thereof; FIG. 6 is a front view thereof; FIG. 7 is a rear view thereof; FIG. 8 is a top view thereof; and, FIG. 9 is a bottom view thereof.

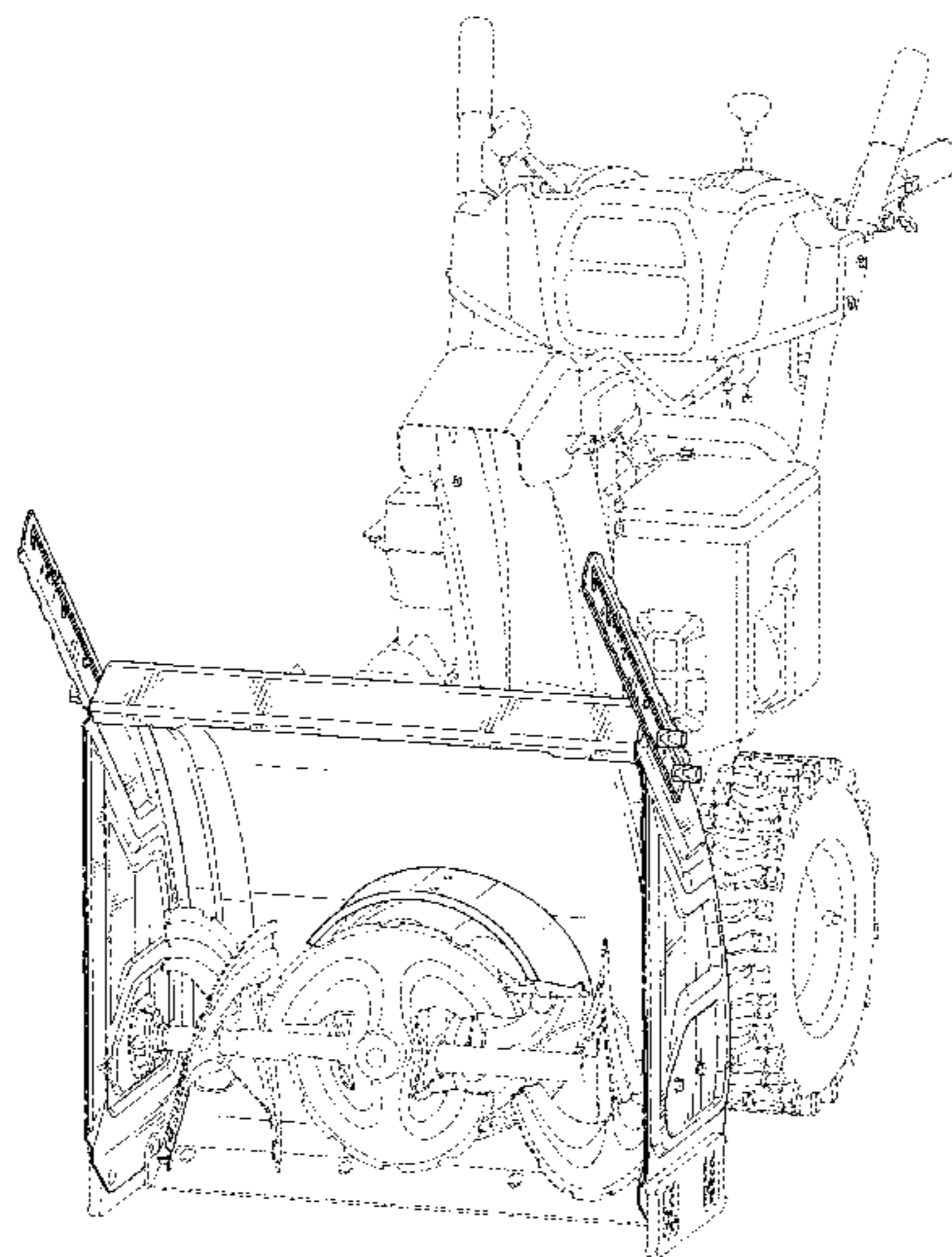
The ornamental design which is claimed is shown in solid lines in the drawings. Any broken lines in the drawings are for illustrative purposes only and form no part of the claimed design.

(56) **References Cited**

U.S. PATENT DOCUMENTS

4,123,857 A 11/1978 Enters et al.
4,188,738 A 2/1980 Vohl
4,203,237 A 5/1980 Enters et al.
4,255,879 A * 3/1981 Greider 37/245

1 Claim, 9 Drawing Sheets



(56)

References Cited

U.S. PATENT DOCUMENTS

4,346,526 A 8/1982 Mattson et al.
 4,346,527 A 8/1982 Schmidt
 4,360,983 A 11/1982 Krug
 4,457,086 A 7/1984 Bacon
 4,477,989 A 10/1984 Vachon
 4,498,253 A 2/1985 Schmidt
 4,541,187 A 9/1985 Phelps
 4,597,203 A 7/1986 Middleton
 4,619,061 A 10/1986 Swanson
 4,679,338 A 7/1987 Middleton
 4,680,881 A 7/1987 Cloutier
 4,694,594 A 9/1987 Thorud et al.
 4,765,073 A 8/1988 Cloutier
 4,869,003 A 9/1989 O'Loughlin
 4,951,403 A 8/1990 Olmr
 D314,775 S * 2/1991 Yoshida et al. D15/11
 RE33,726 E 10/1991 Thorud et al.
 5,123,186 A 6/1992 Matsushita et al.
 5,127,174 A 7/1992 Takeshita
 5,398,432 A 3/1995 Vohl
 5,450,910 A 9/1995 Strzyzewski
 5,813,152 A 9/1998 Weight
 6,131,316 A 10/2000 Yoshina et al.

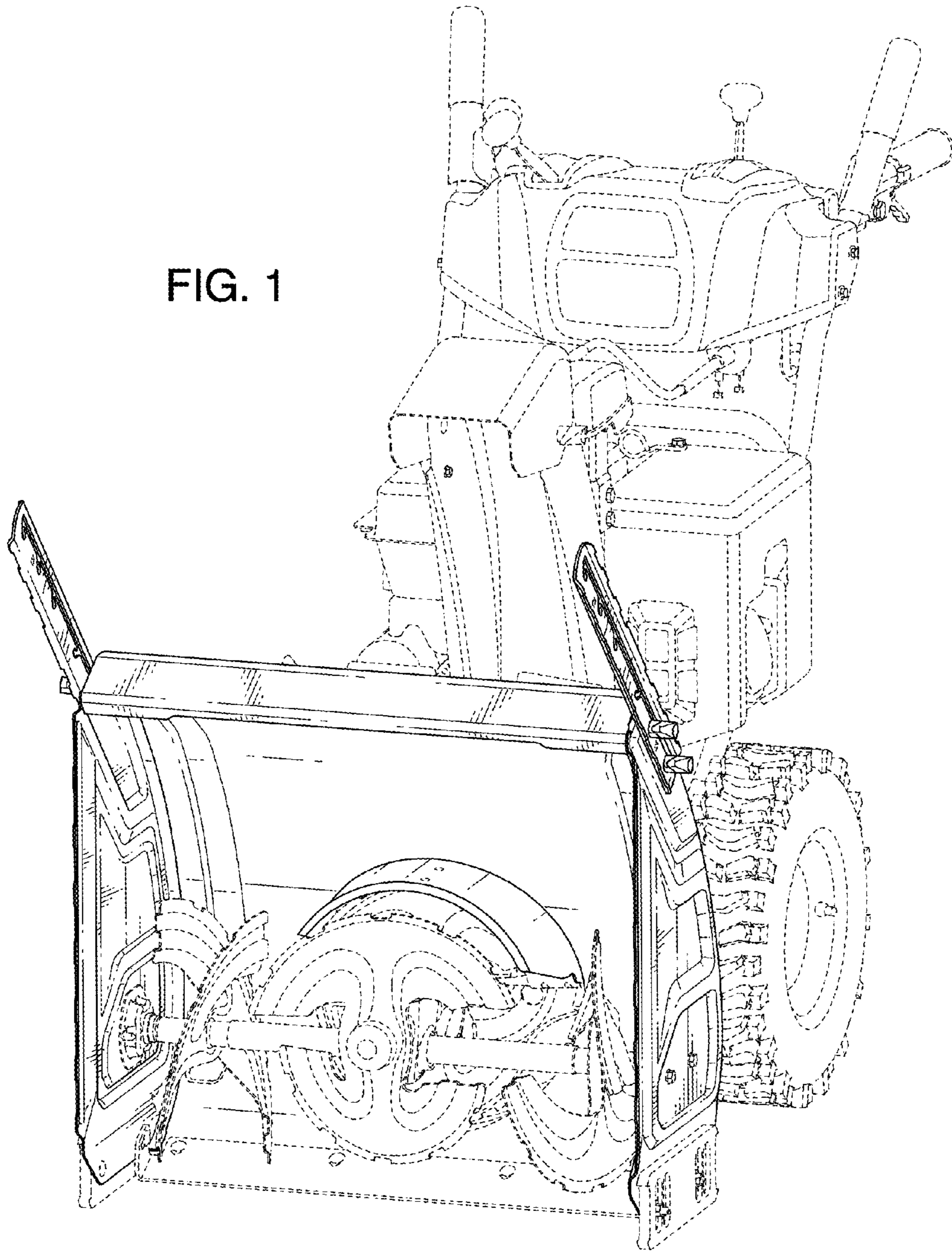
6,199,306 B1 3/2001 Kauppila et al.
 6,260,293 B1 7/2001 Monroe
 6,318,003 B1 11/2001 Heismann
 6,353,212 B1 3/2002 Smith
 D457,171 S * 5/2002 Fowler D15/11
 6,470,602 B2 10/2002 White, III et al.
 6,560,905 B2 5/2003 Monroe
 D494,193 S * 8/2004 Martin et al. D15/12
 D500,053 S * 12/2004 Yuzuriha et al. D15/12
 6,865,826 B1 3/2005 Lakin
 6,938,364 B2 9/2005 White, III et al.
 D554,155 S * 10/2007 Yuzuriha D15/12
 7,305,777 B2 12/2007 Kettering et al.
 7,347,013 B2 * 3/2008 Deschler et al. 37/260
 7,703,223 B2 * 4/2010 Walker et al. 37/260
 D617,350 S * 6/2010 Cummings D15/11
 D705,271 S * 5/2014 Cmich et al. D15/11
 2004/0255492 A1 12/2004 White et al.
 2007/0175070 A1 * 8/2007 Deschler et al. 37/249

OTHER PUBLICATIONS

Airport Technologies Inc; "Snow Wolf" flyer; published prior to Mar. 2, 2011.

* cited by examiner

FIG. 1



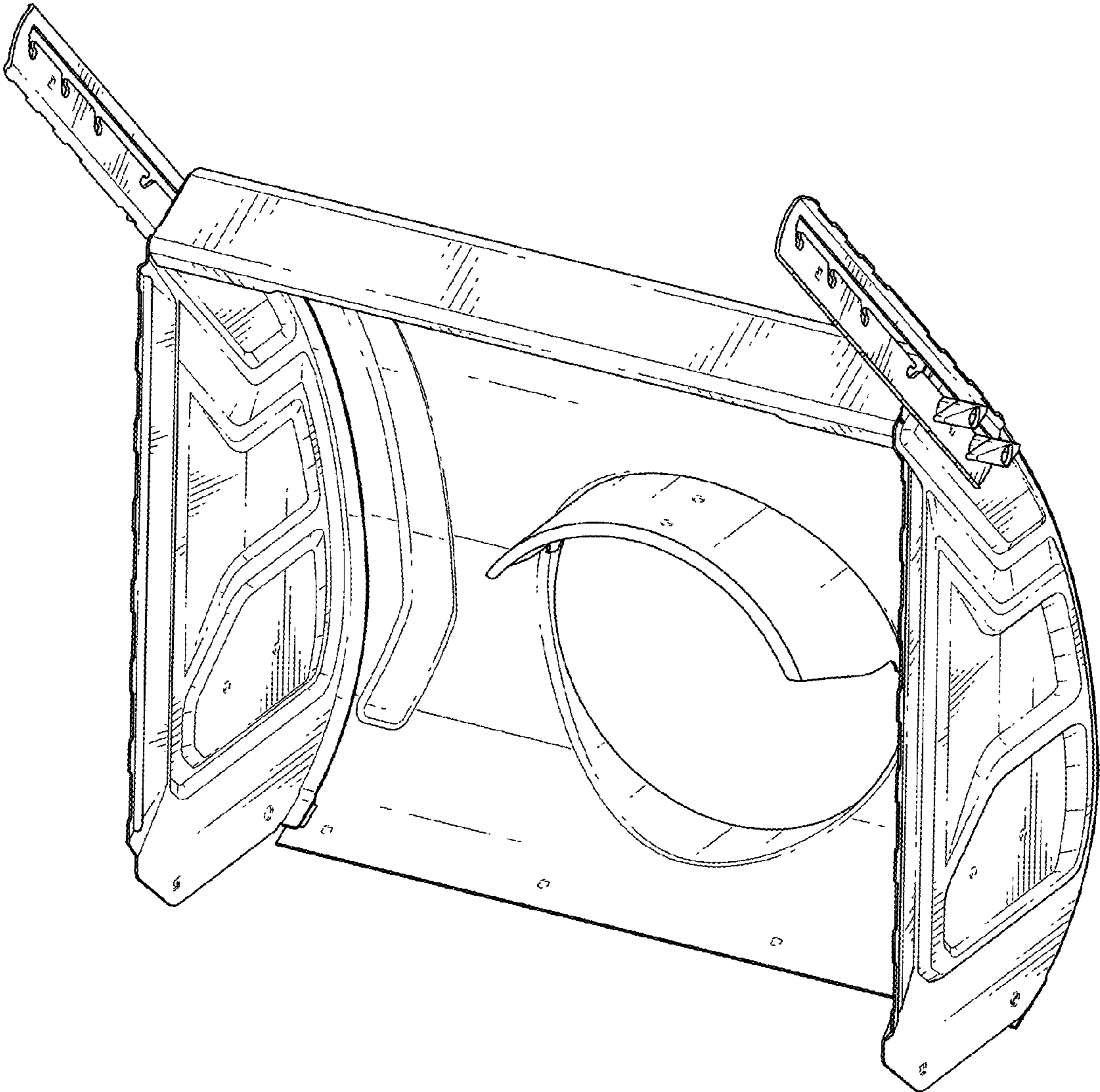


FIG. 2

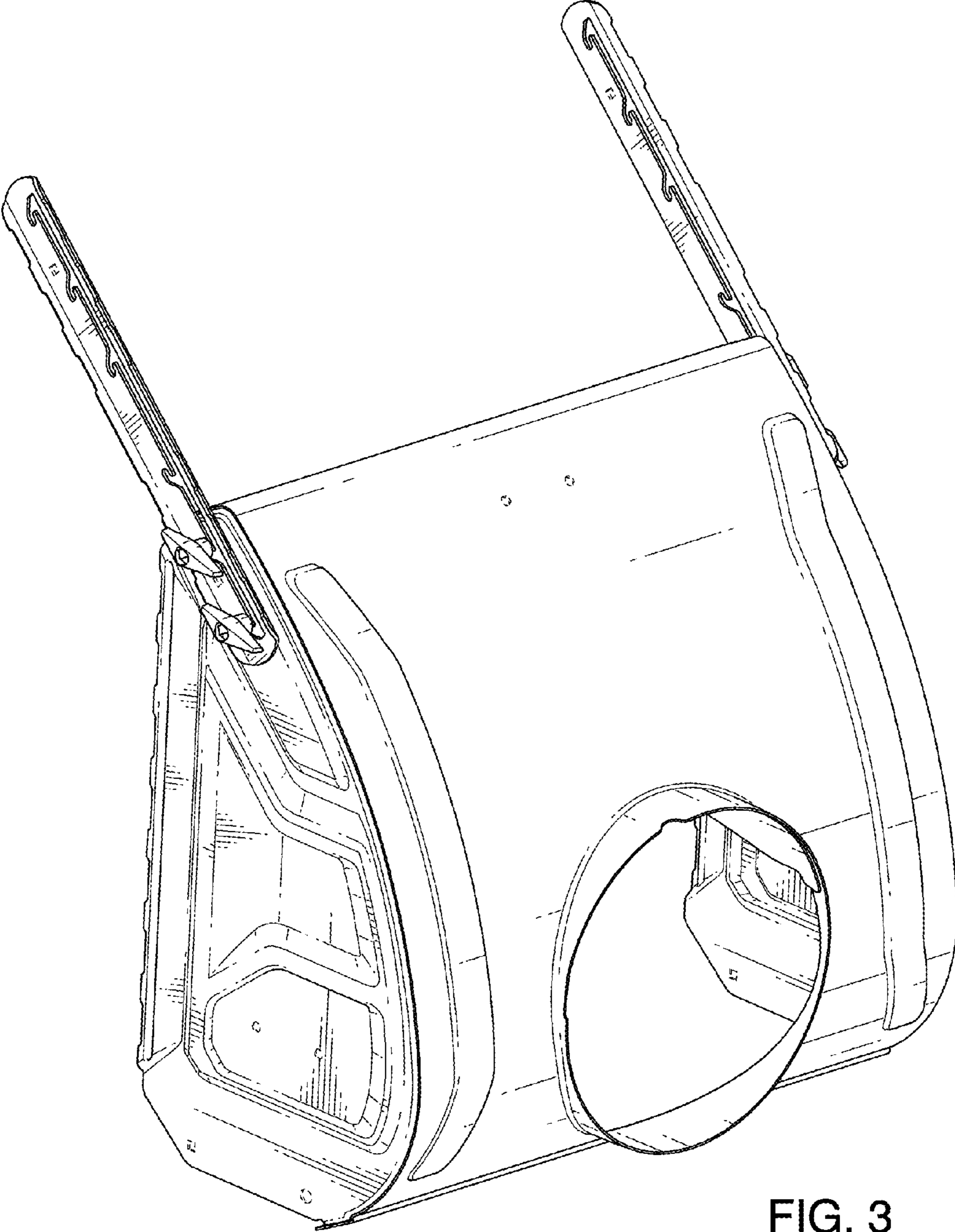


FIG. 3

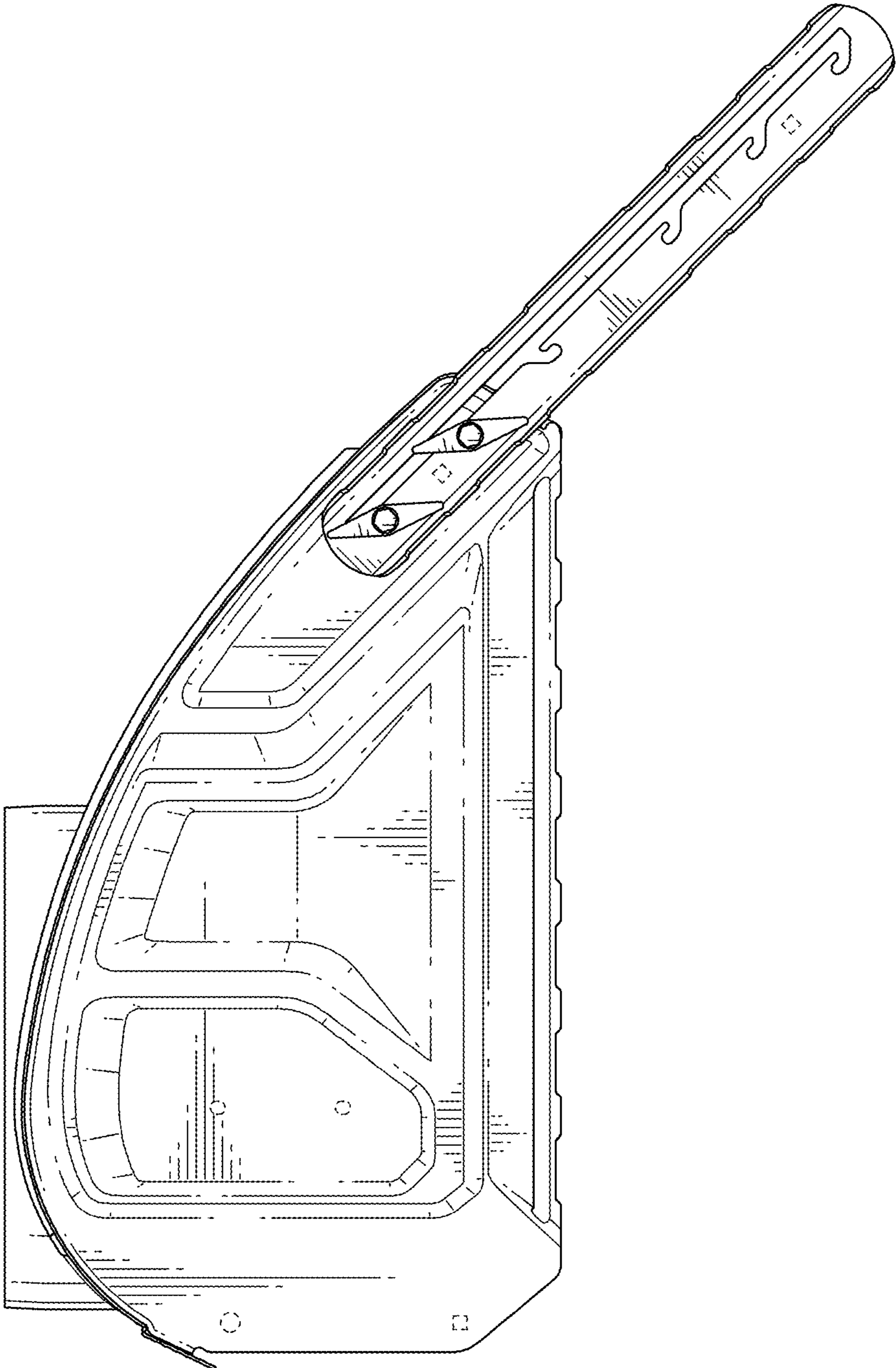


FIG. 4

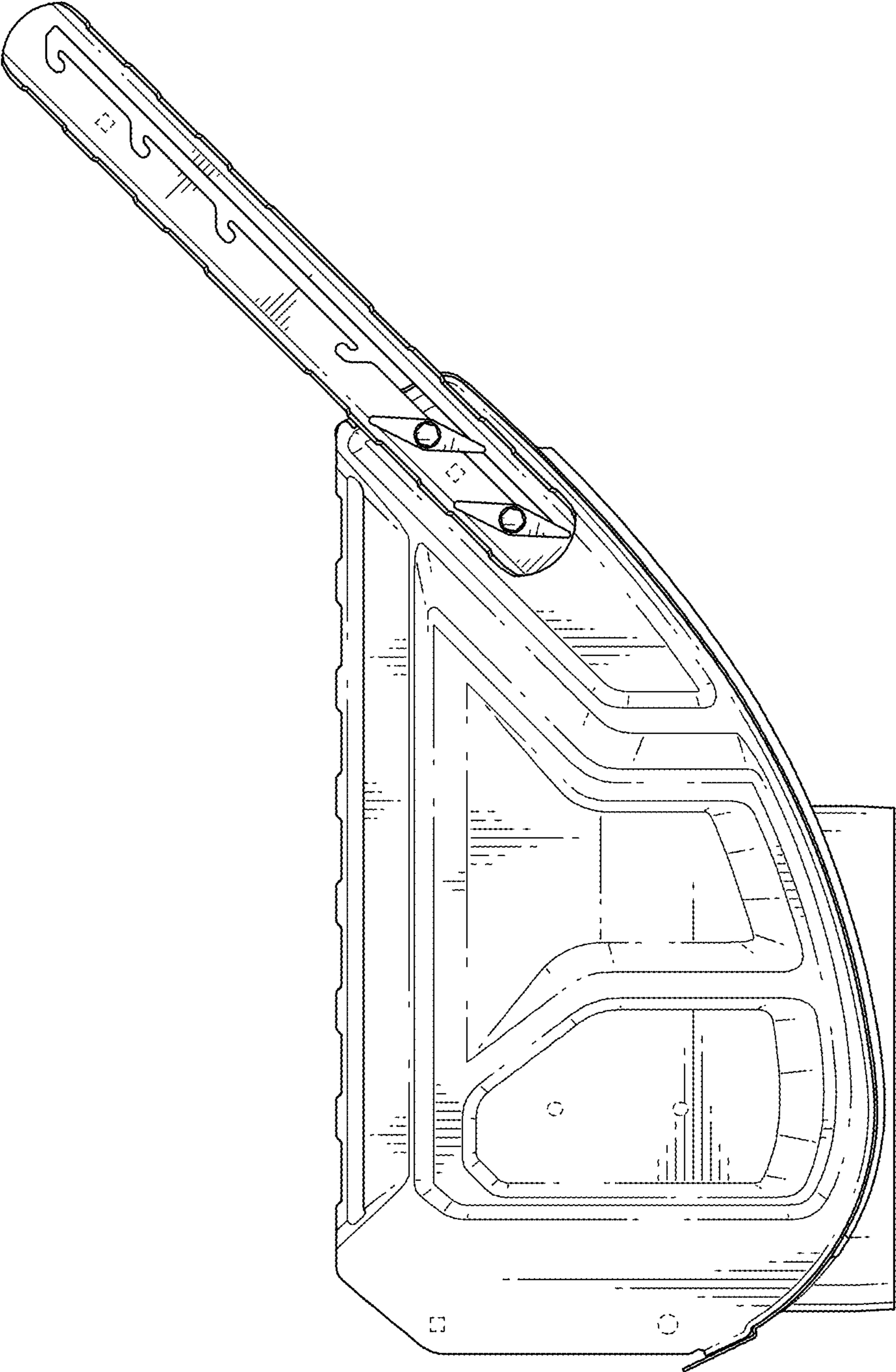


FIG. 5

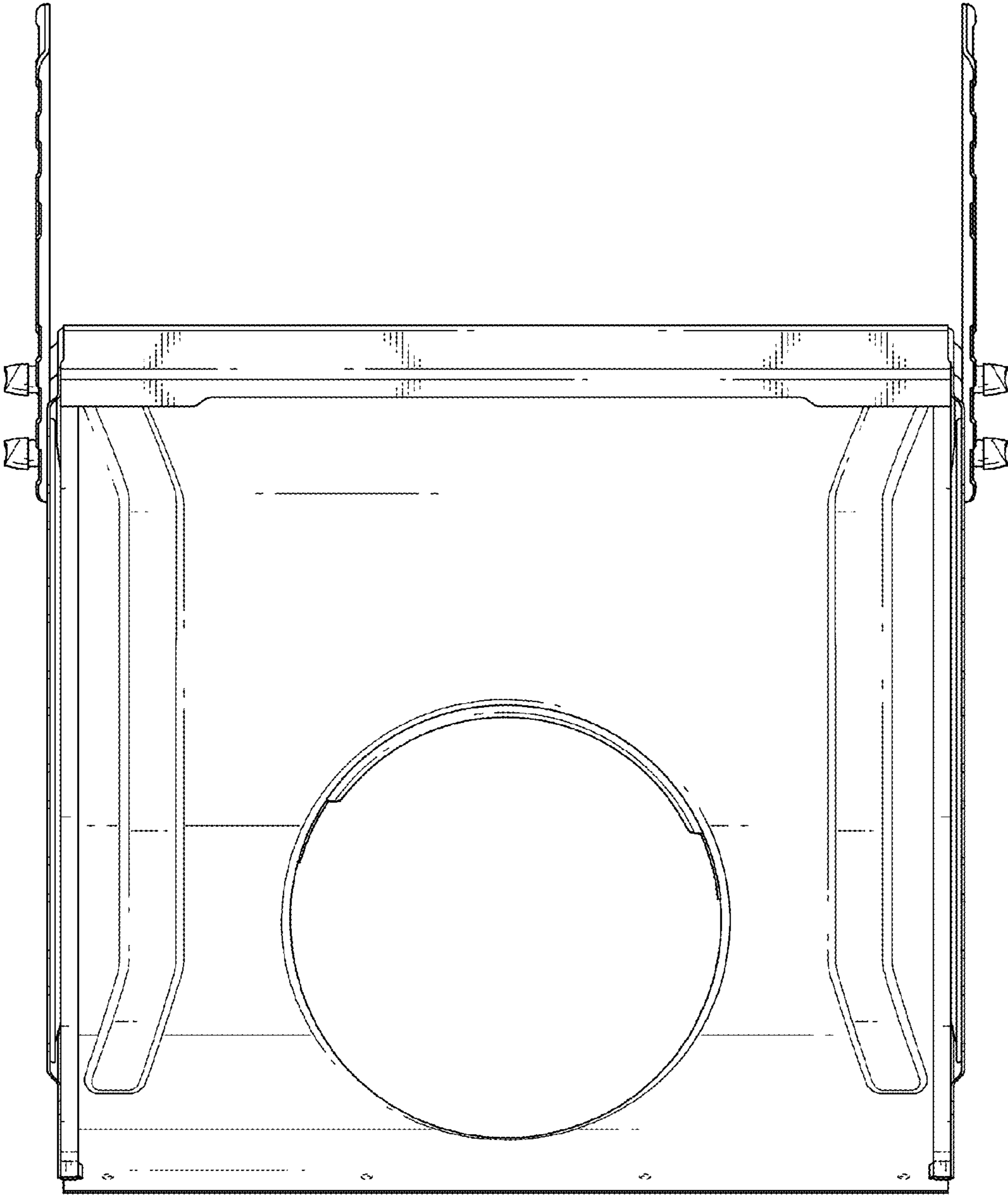


FIG. 6

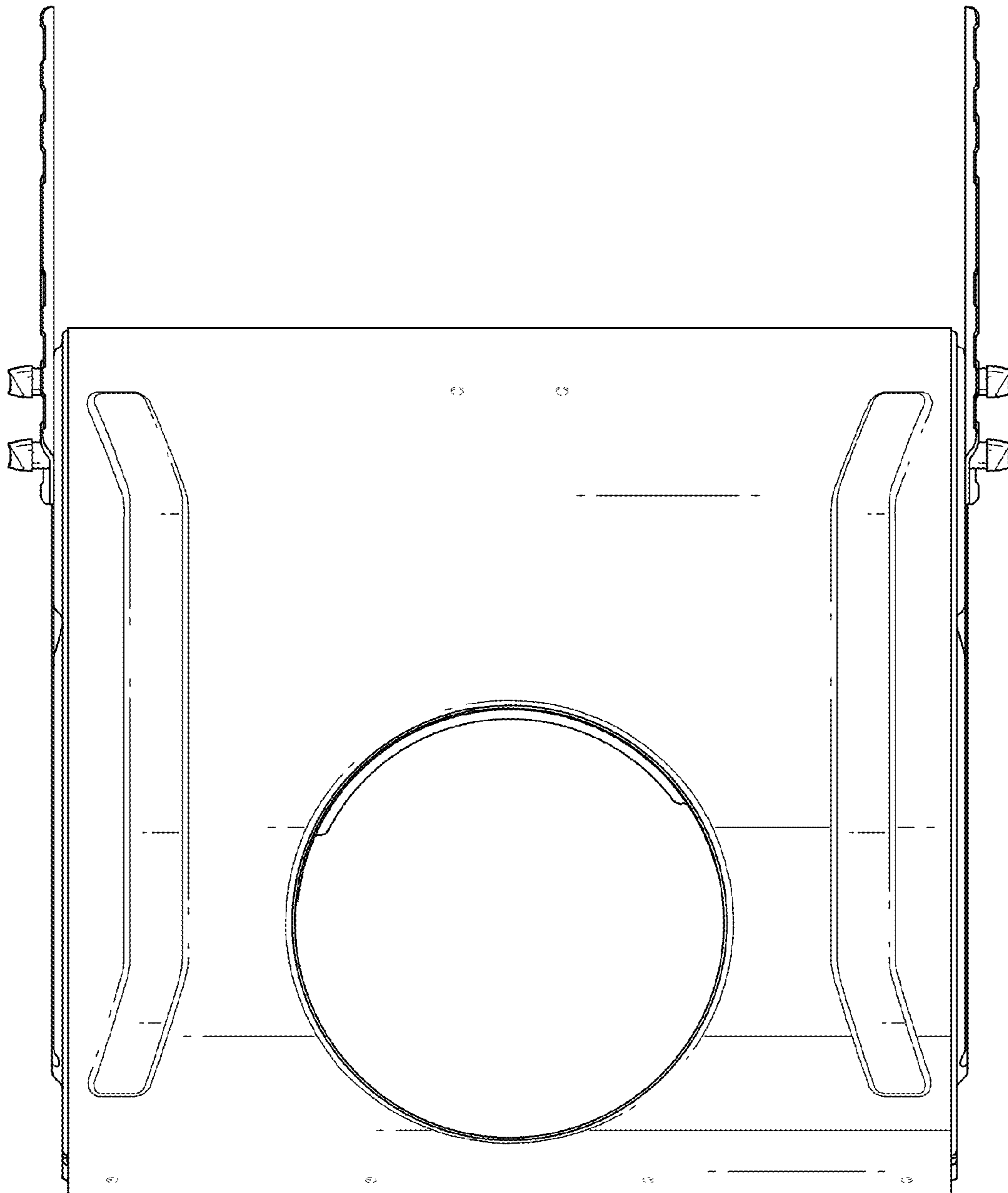


FIG. 7

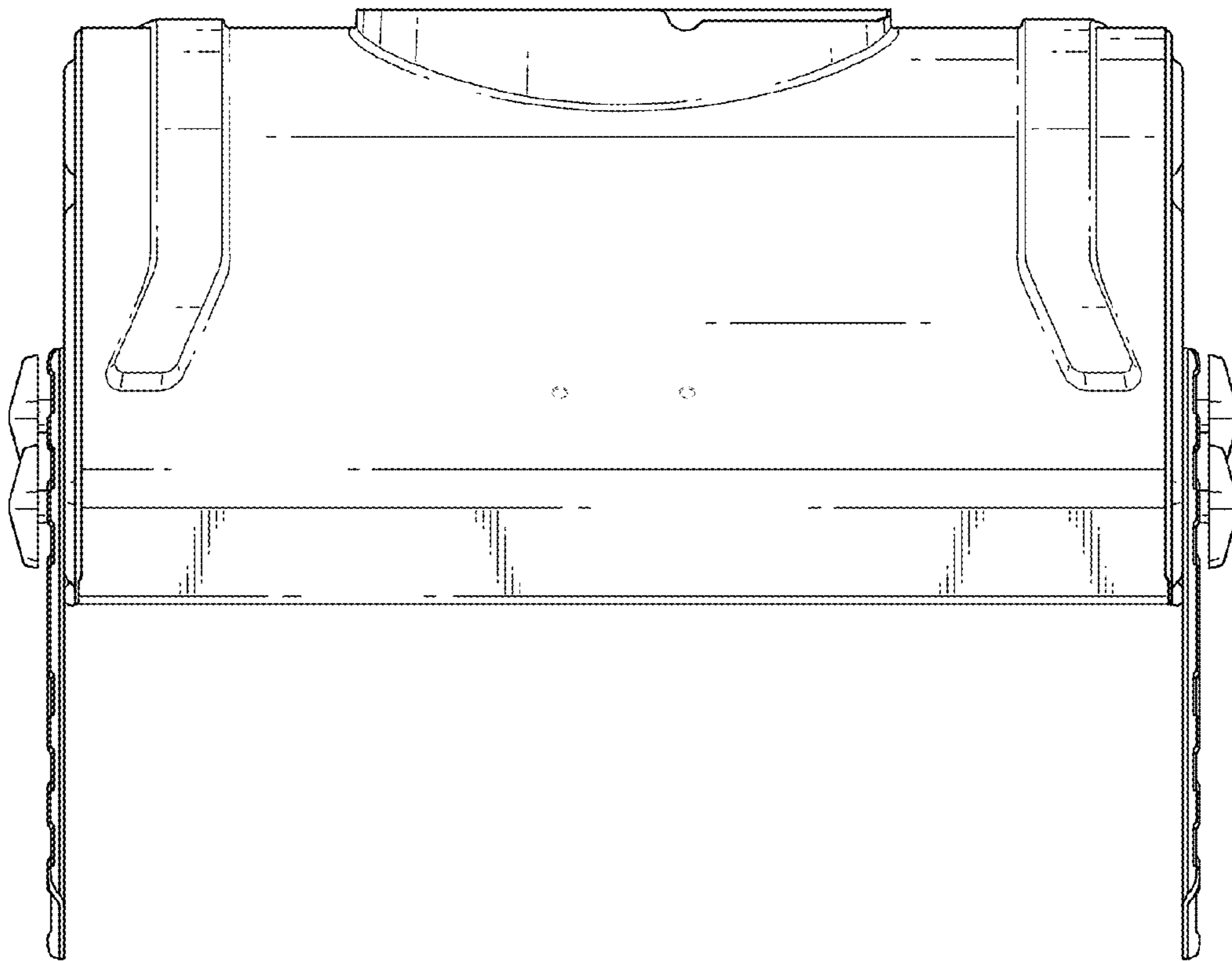


FIG. 8

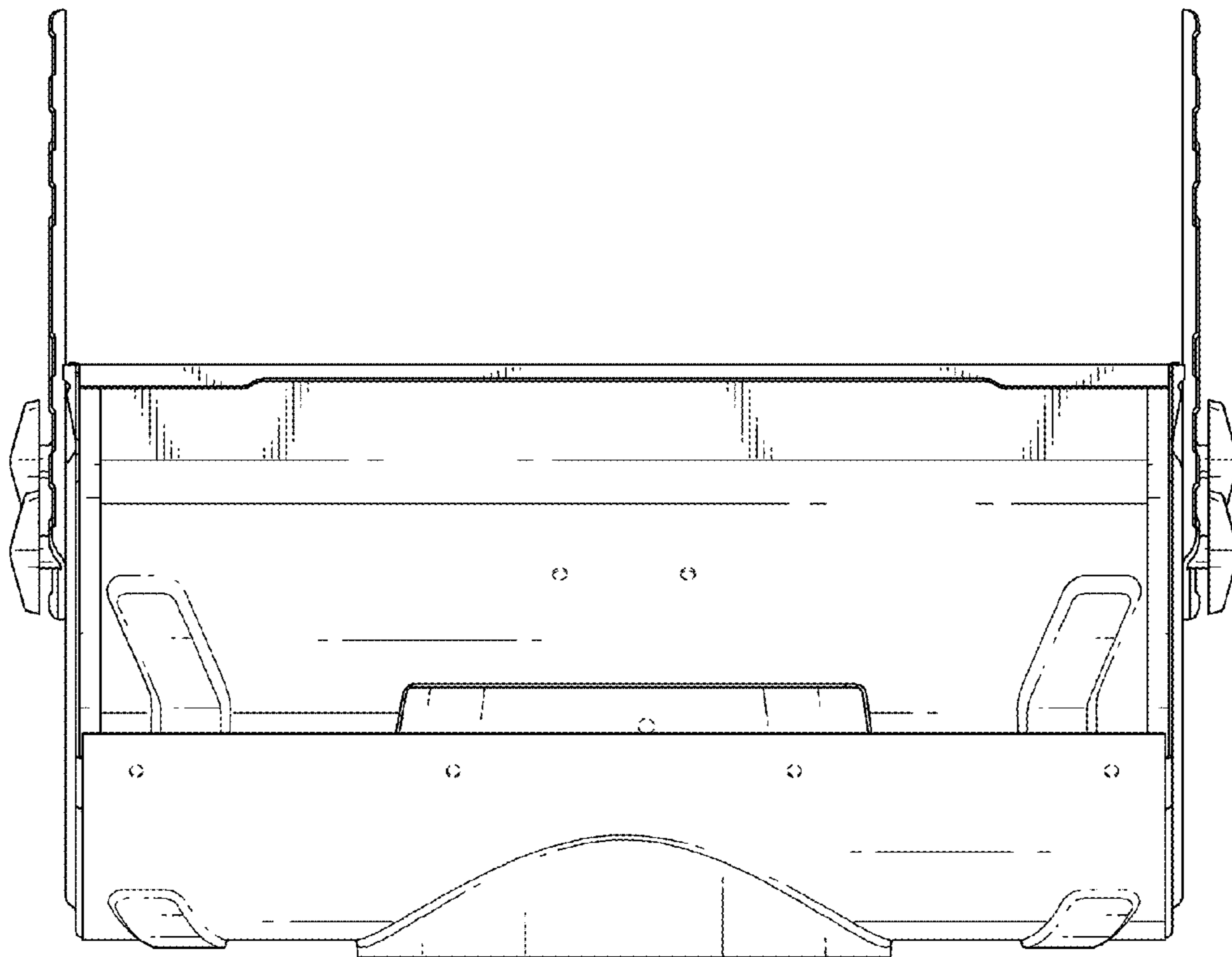


FIG. 9