



US00D737334S

(12) **United States Design Patent**  
**Galloway et al.**

(10) **Patent No.:** **US D737,334 S**

(45) **Date of Patent:** **\*\* Aug. 25, 2015**

(54) **PORTABLE COMPRESSED GAS POWER ASSEMBLY**

(71) Applicant: **D2BG LLC**, Fort Worth, TX (US)

(72) Inventors: **Daniel Galloway**, Keller, TX (US);  
**Darrell Bevelhymmer**, Arlington, TX (US)

(73) Assignee: **D2BG, LLC**, Fort Worth, TX (US)

(\*\*) Term: **14 Years**

(21) Appl. No.: **29/511,077**

(22) Filed: **Dec. 5, 2014**

**Related U.S. Application Data**

(62) Division of application No. 29/450,951, filed on Mar. 26, 2013, now Pat. No. Des. 723,066, which is a division of application No. 29/432,709, filed on Sep. 19, 2012, now Pat. No. Des. 683,368, which is a division of application No. 29/375,851, filed on Sep. 28, 2010, now Pat. No. Des. 670,314.

(51) **LOC (10) Cl.** ..... **15-02**

(52) **U.S. Cl.**  
USPC ..... **D15/9**

(58) **Field of Classification Search**  
USPC ..... D15/7-9; D23/231, 232, 225;  
417/410.1, 359, 415-416, 234, 321,  
417/265, 405; 60/645, 651  
CPC ..... B67D 5/64; B67D 5/40  
See application file for complete search history.

(56) **References Cited**

**U.S. PATENT DOCUMENTS**

D60,090 S	12/1921	Forrest
D107,465 S	12/1937	Tucker
2,384,174 A	9/1945	Jones
D156,075 S	11/1949	Collier
D185,000 S	4/1959	Hoover

D223,475 S	4/1972	Elson et al.
D258,436 S	3/1981	McGilberry
4,854,822 A	8/1989	Darroch
D321,352 S	11/1991	Vann
5,139,278 A	8/1992	Vlasticak
D332,613 S	1/1993	Keller
5,494,191 A *	2/1996	Benson ..... 222/23
5,667,113 A *	9/1997	Clarke et al. .... 222/608
D398,614 S	9/1998	Kartinen
5,810,213 A *	9/1998	Flores et al. .... 222/610
D405,805 S	2/1999	Rock
D423,518 S	4/2000	Milligan et al.

(Continued)

*Primary Examiner* — Ralf Seifert

(74) *Attorney, Agent, or Firm* — Norton Rose Fulbright US LLP

(57) **CLAIM**

The ornamental design for a portable compressed gas power assembly, as shown and described.

**DESCRIPTION**

FIG. 1 is an elevation view from the front showing the front side of our new design.

FIG. 2 is an elevation view from the back showing the back side of our design.

FIG. 3 is an elevation view from the left side showing the left side of our design.

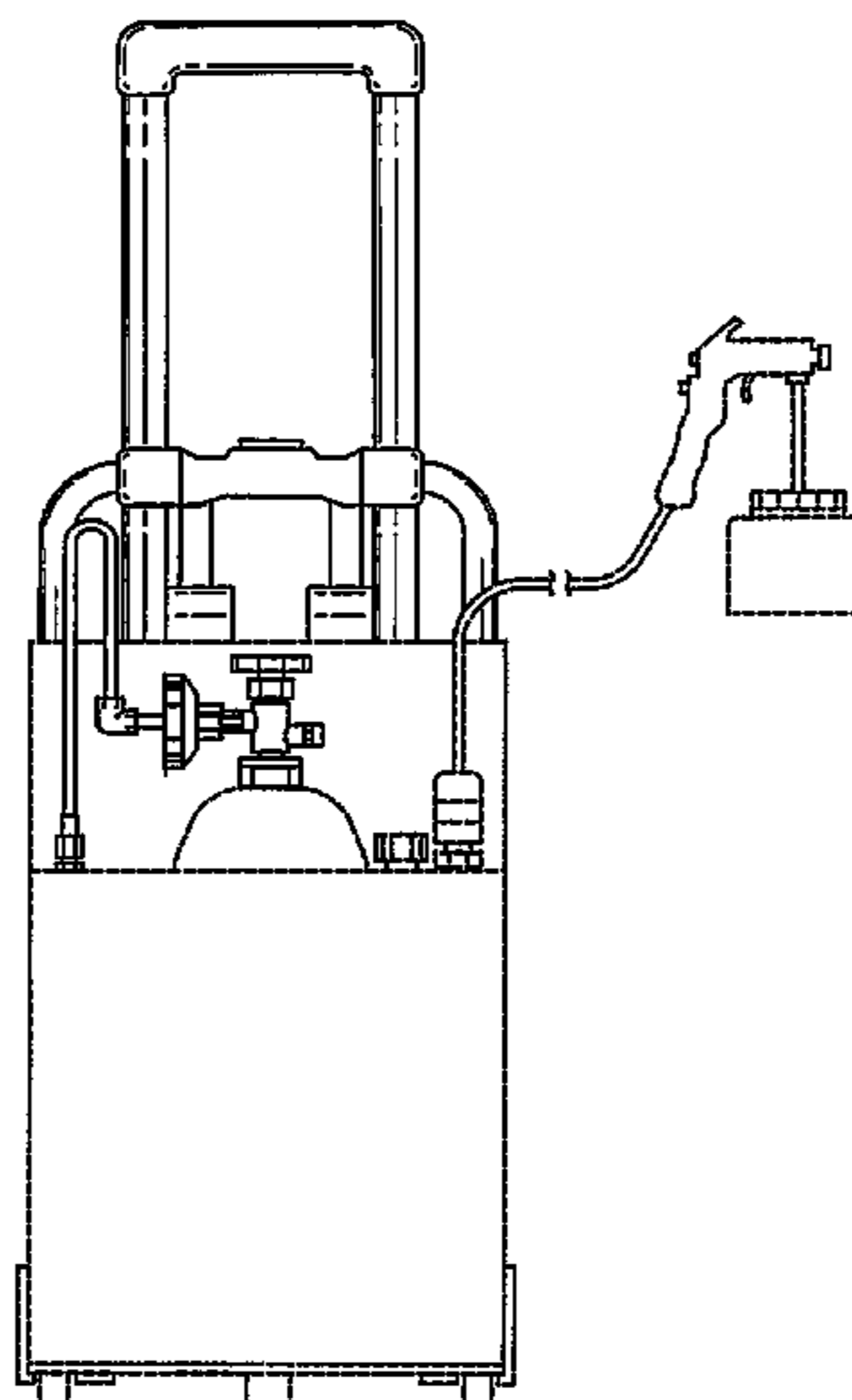
FIG. 4 is an elevation view from the right showing the right side of our design.

FIG. 5 is an elevation view from the top showing the top side of our design; and,

FIG. 6 is an elevation view from the bottom showing the bottom side of our design.

It should be understood that the labels used herein for describing orientation (e.g., front, back, top, bottom, right, and left) are merely for reference, and our design may be disposed in any manner and still be within the scope of the present invention. Elements shown in broken lines form no part of the claimed design.

**1 Claim, 5 Drawing Sheets**



(56)

**References Cited**

U.S. PATENT DOCUMENTS

D446,792 S 8/2001 Matthew et al.  
D447,151 S 8/2001 Matthew et al.  
D470,871 S \* 2/2003 Burger et al. .... D15/150  
D488,169 S 4/2004 Hopper

D559,865 S 1/2008 Wise  
7,415,988 B2 8/2008 Trettin et al.  
D670,314 S 11/2012 Galloway et al.  
D681,680 S 5/2013 Galloway et al.  
D683,368 S 5/2013 Galloway et al.

\* cited by examiner

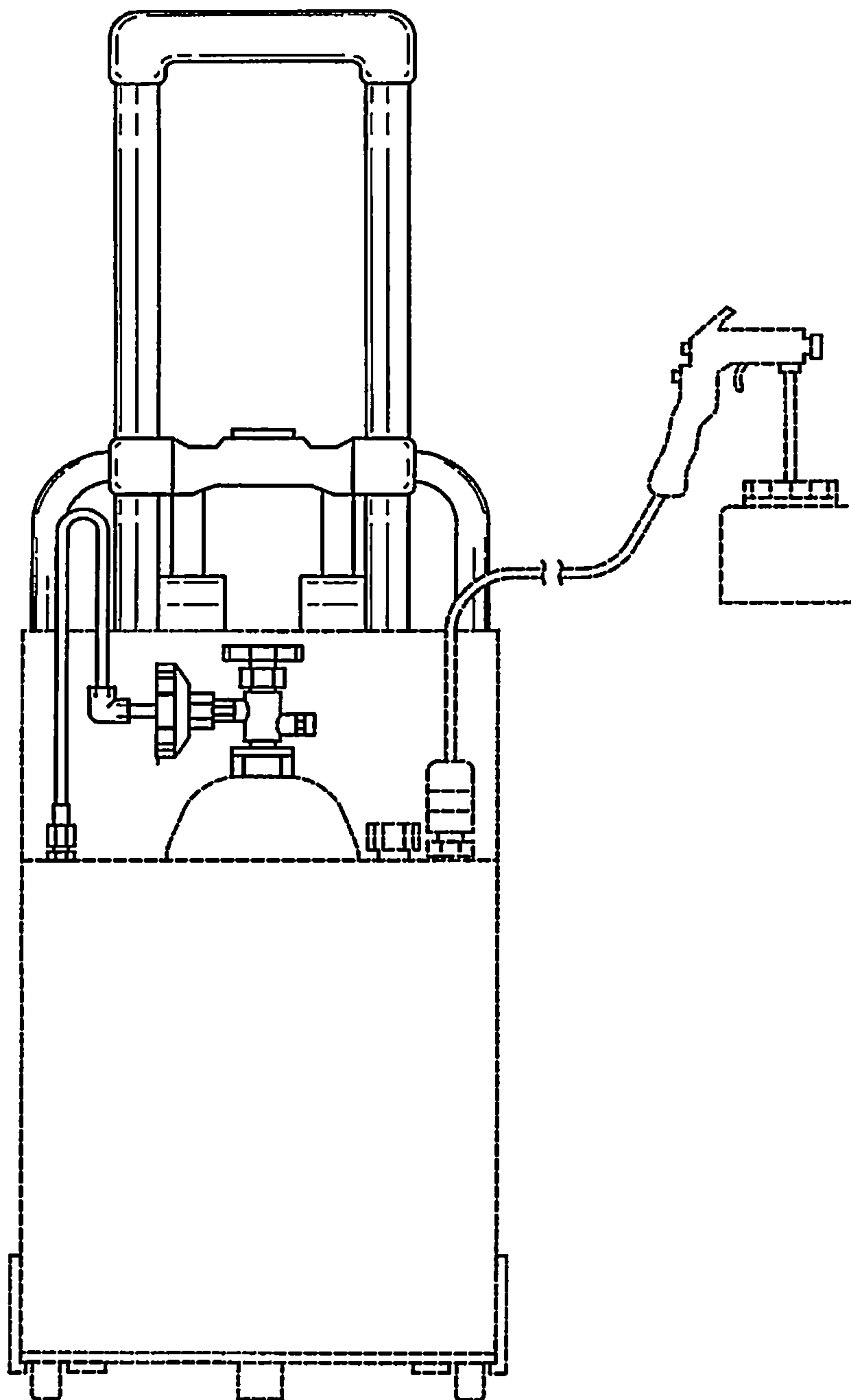


FIG.1

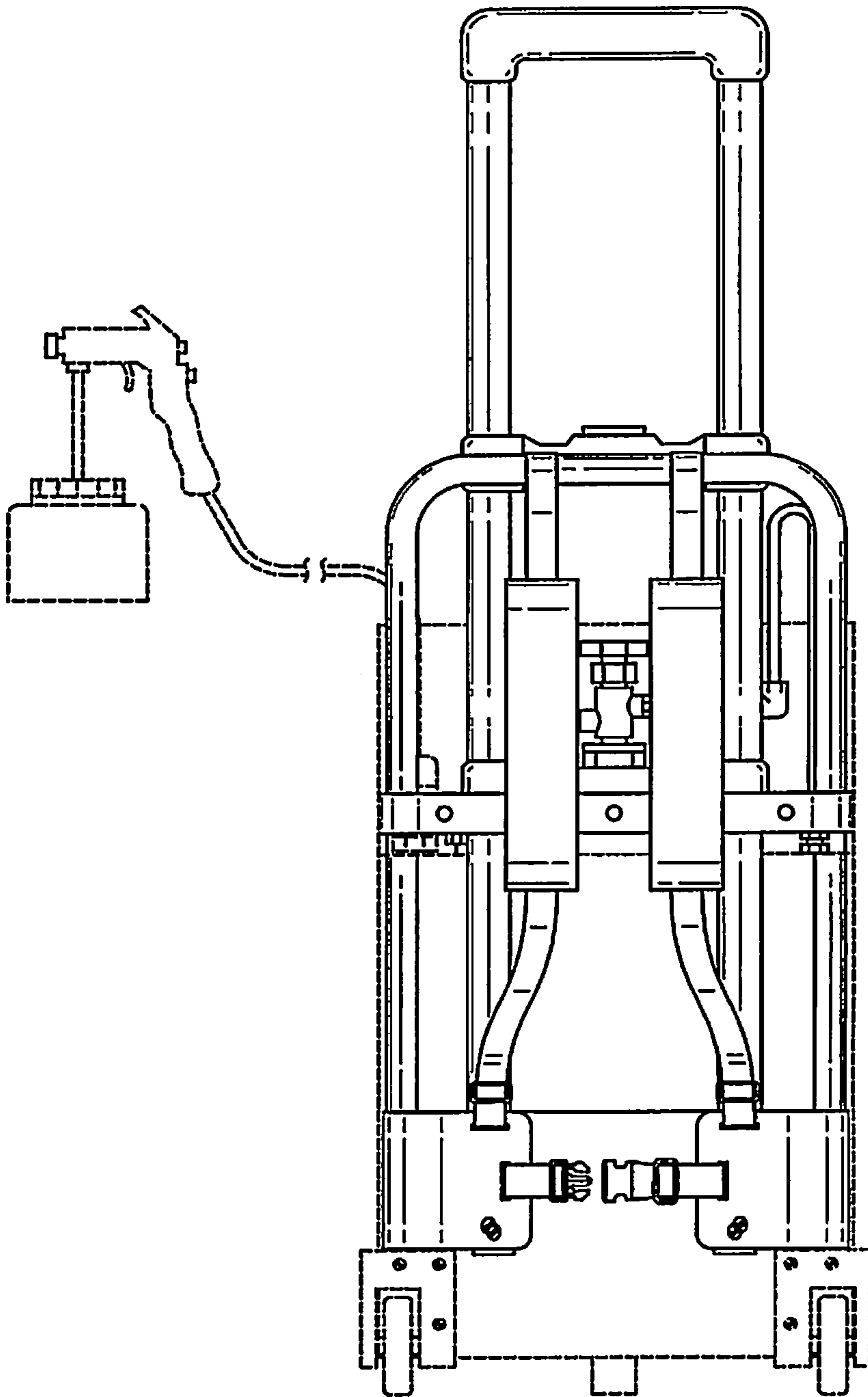


FIG.2

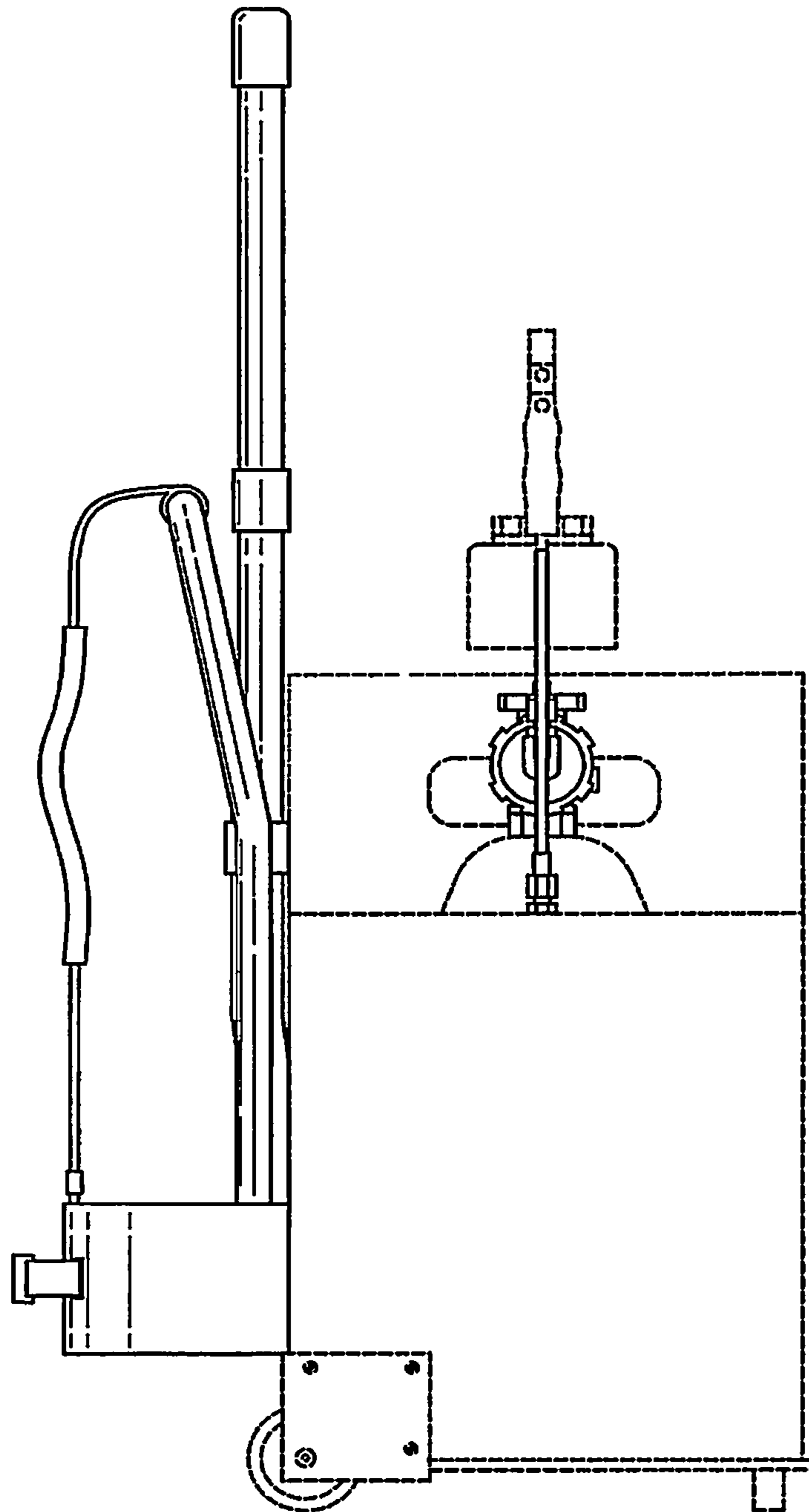


FIG.3

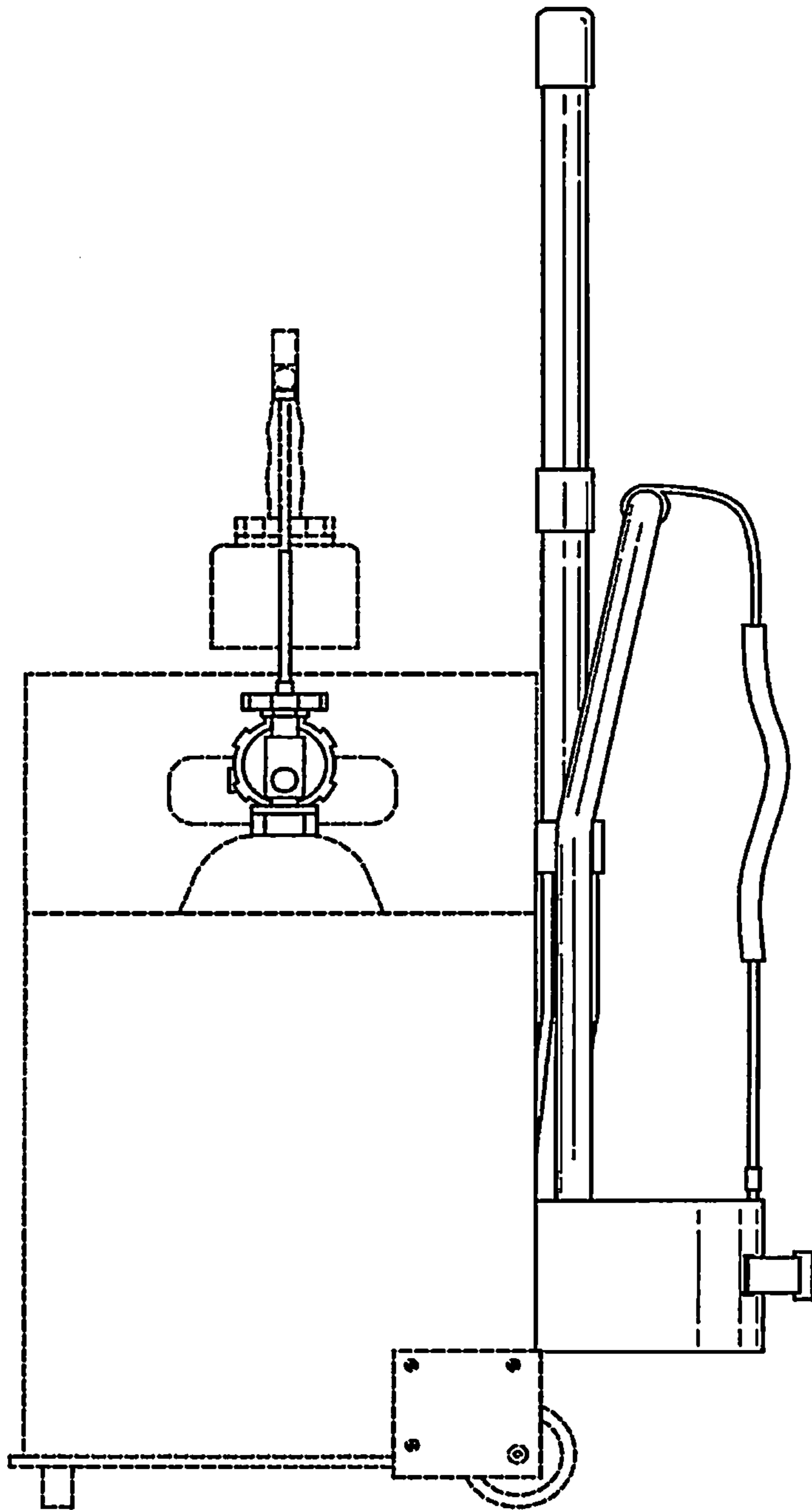


FIG.4

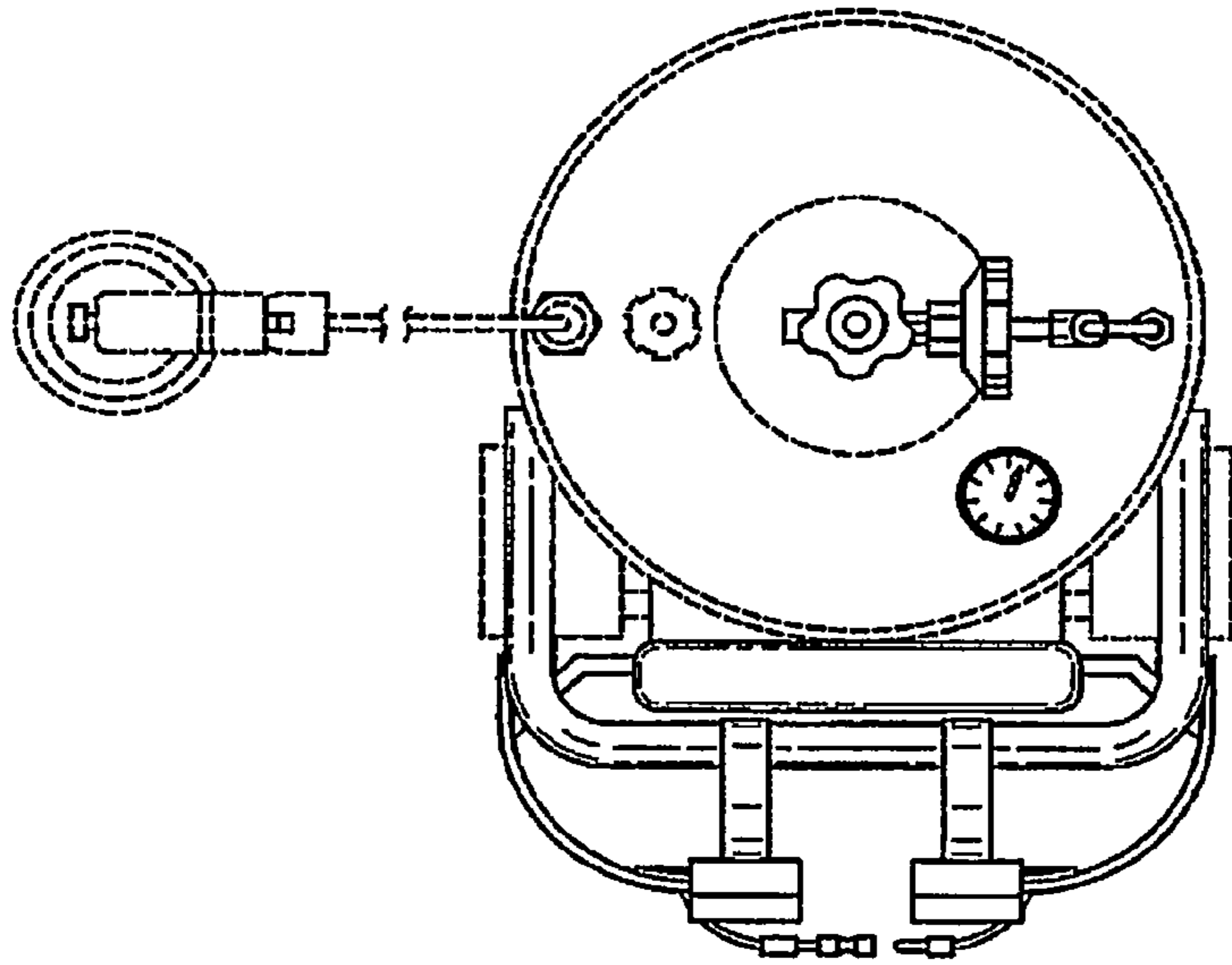


FIG. 5

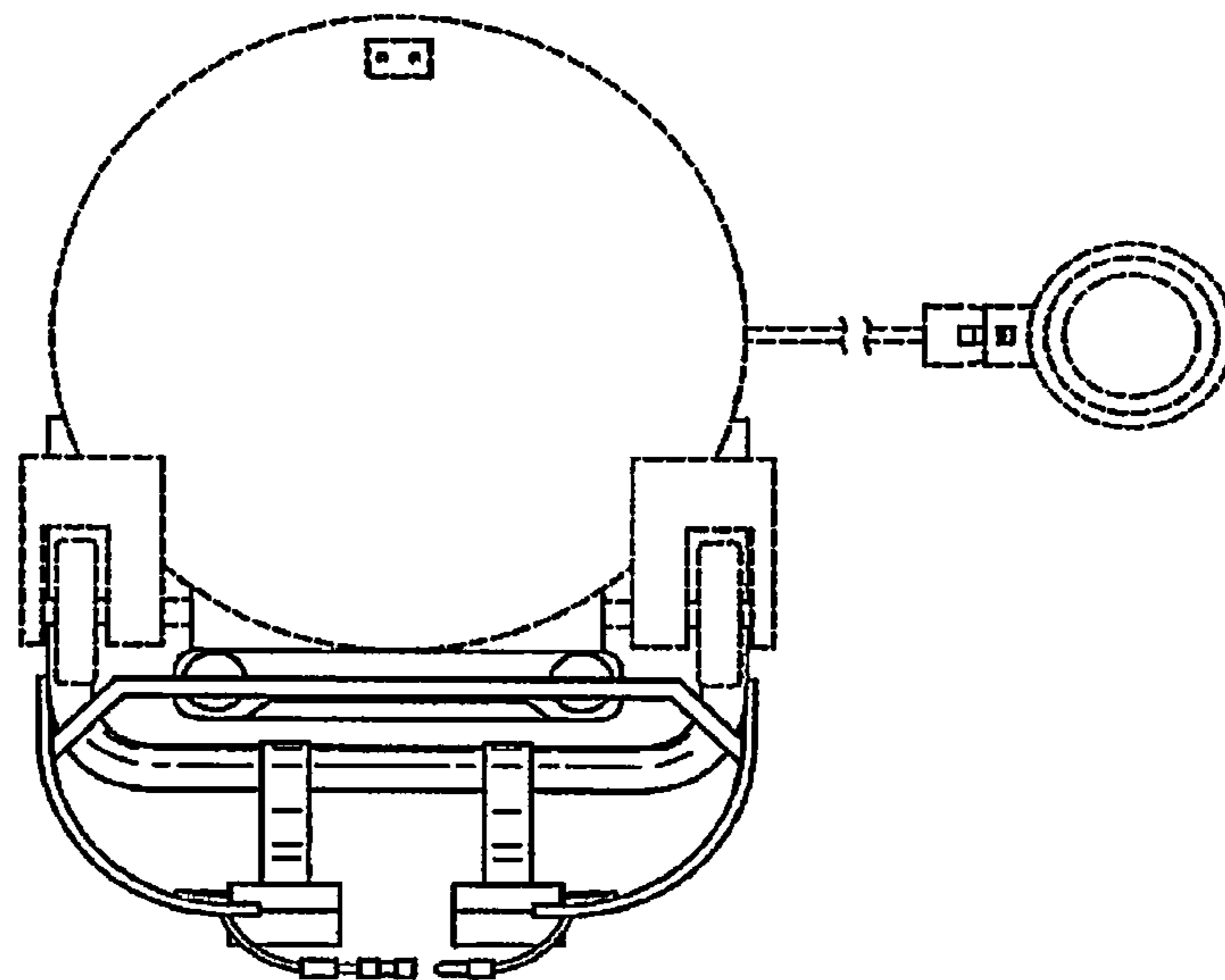


FIG. 6