



US00D737329S

(12) **United States Design Patent**  
**Paolantonio et al.**

(10) **Patent No.:** **US D737,329 S**  
(45) **Date of Patent:** **\*\* Aug. 25, 2015**

(54) **DISPLAY SCREEN WITH ANIMATED GRAPHICAL USER INTERFACE**

(71) Applicant: **Microsoft Corporation**, Redmond, WA (US)

(72) Inventors: **Sergio Paolantonio**, Seattle, WA (US);  
**Gregg Wygonik**, Seattle, WA (US);  
**Matt Peltier**, Seattle, WA (US);  
**Matthew Hartman**, Seattle, WA (US)

(73) Assignee: **Microsoft Corporation**, Redmond, WA (US)

(\*\*) Term: **14 Years**

(21) Appl. No.: **29/473,267**

(22) Filed: **Nov. 20, 2013**

(51) **LOC (10) Cl.** ..... **14-04**

(52) **U.S. Cl.**  
USPC ..... **D14/495**

(58) **Field of Classification Search**  
USPC ..... D14/485-495; 715/835, 836, 837, 840,  
715/846, 847, 976, 977  
CPC ... G06F 3/048; G06F 3/0481; G06F 3/04817;  
G06F 3/0482

See application file for complete search history.

(56) **References Cited**

**U.S. PATENT DOCUMENTS**

D385,547 S	*	10/1997	Snell	.....	D14/495
D390,548 S	*	2/1998	Maekawa et al.	.....	D14/488
D563,418 S	*	3/2008	Yamashita et al.	.....	D14/485
D563,419 S	*	3/2008	Yamashita et al.	.....	D14/485
D589,525 S	*	3/2009	Orellana et al.	.....	D14/486
D644,661 S		9/2011	Gardner et al.		
D644,662 S	*	9/2011	Gardner et al.	.....	D14/495
D683,366 S	*	5/2013	Gardner et al.	.....	D14/495

(Continued)

**FOREIGN PATENT DOCUMENTS**

EM 001641218-0001 \* 12/2009

*Primary Examiner* — Angela J Lee

(74) *Attorney, Agent, or Firm* — Banner & Witcoff, Ltd.

(57) **CLAIM**

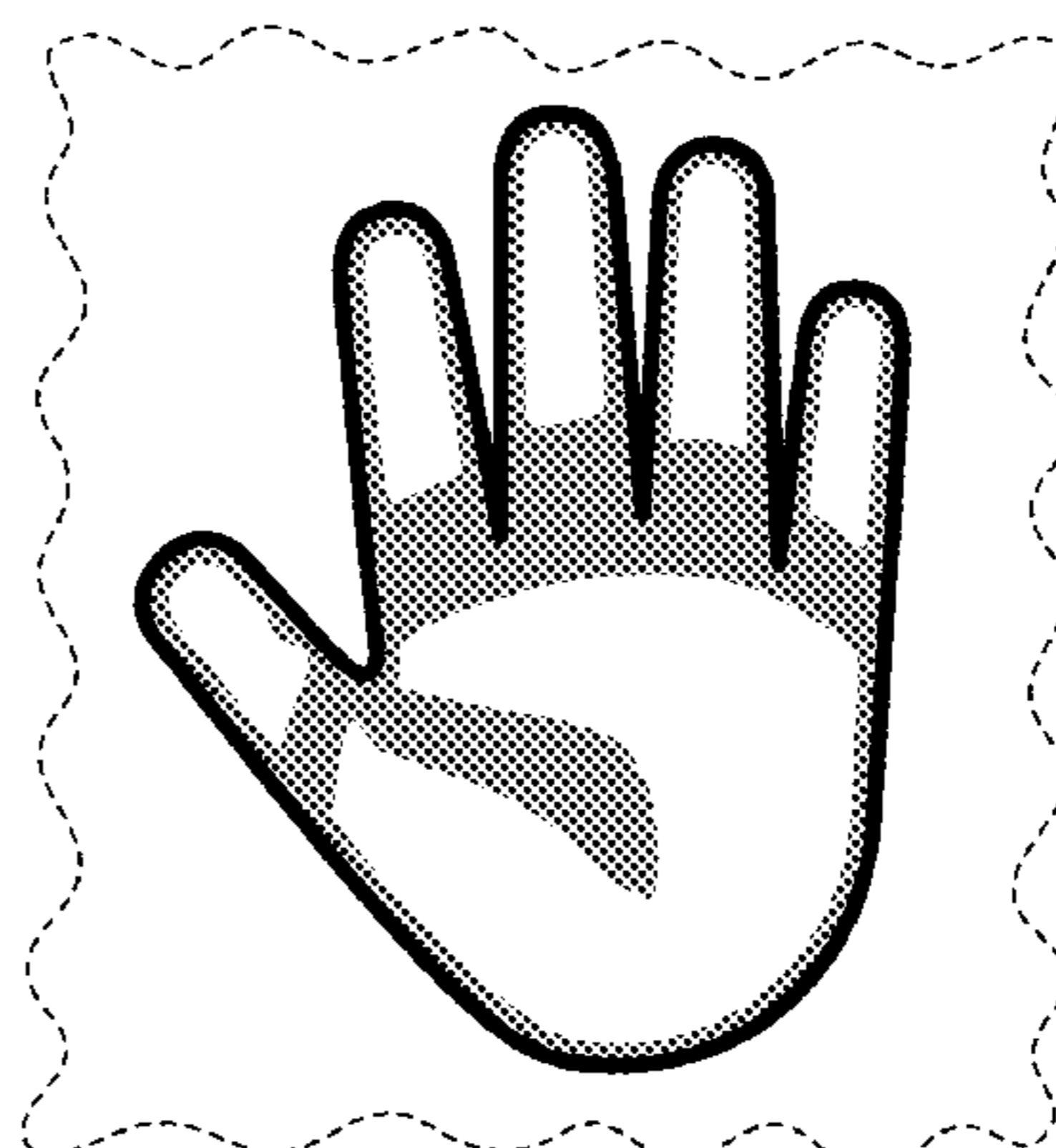
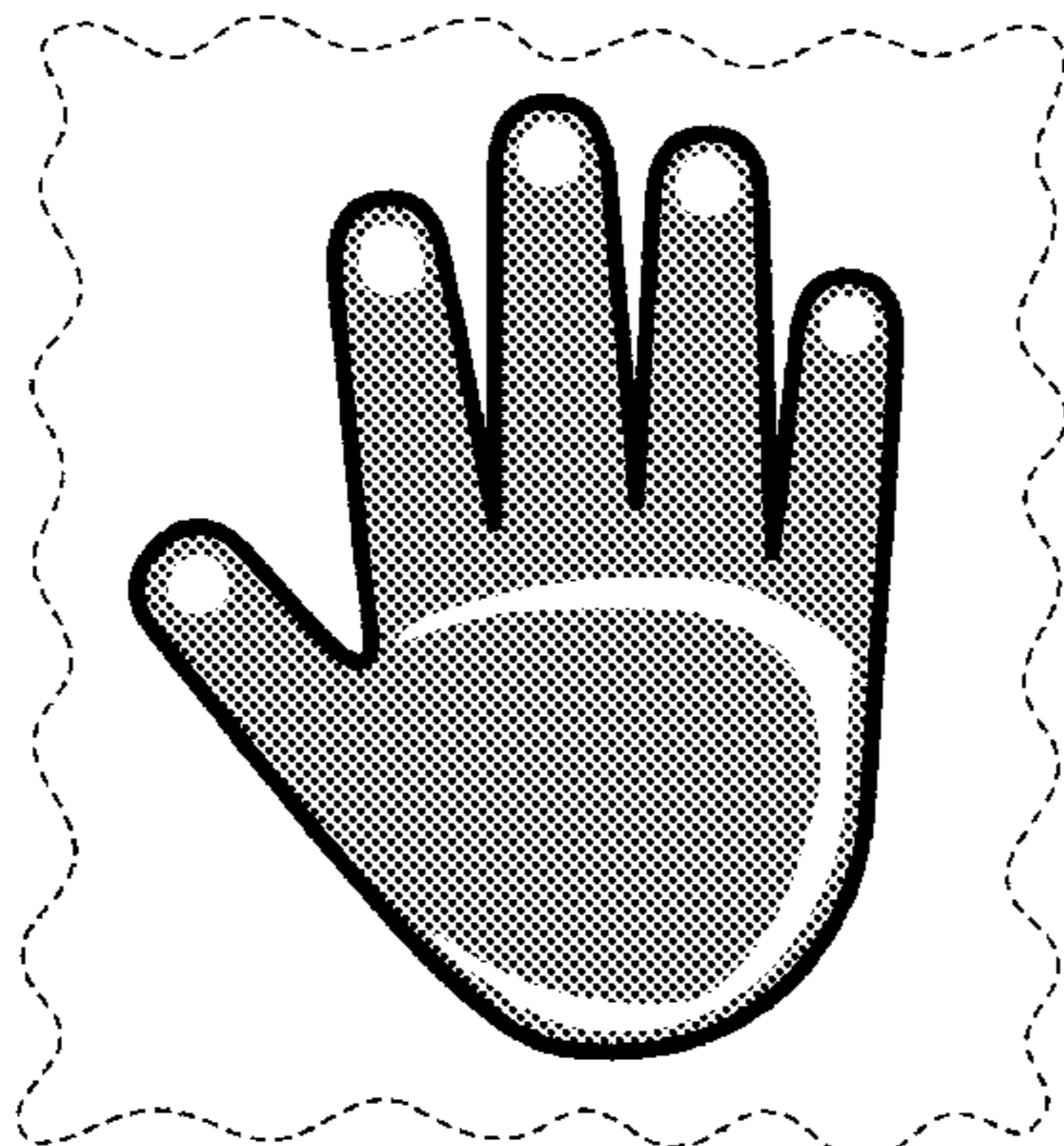
The ornamental design for a display screen with animated graphical user interface, as shown and described.

**DESCRIPTION**

FIG. 1 is the first image in a sequence for a display screen with animated graphical user interface showing our new design; FIG. 2 is the second image thereof; FIG. 3 is the third image thereof; FIG. 4 is the fourth image thereof; FIG. 5 is the fifth image thereof; FIG. 6 is the sixth image thereof; FIG. 7 is the seventh image thereof; FIG. 8 is the eighth image thereof; FIG. 9 is the ninth image thereof; FIG. 10 is the first image in a sequence for the display screen with animated graphical user interface shown on a device; FIG. 11 is the second image thereof; FIG. 12 is the third image thereof; FIG. 13 is the fourth image thereof; FIG. 14 is the fifth image thereof; FIG. 15 is the sixth image thereof; FIG. 16 is the seventh image thereof; FIG. 17 is the eighth image thereof; and, FIG. 18 is the ninth image thereof.

The appearance of the animated graphical user interface sequentially transitions between the images shown in FIGS. 1-9 and FIGS. 10-18. The process or period in which one image transitions to another forms no part of the claimed design. FIGS. 10-18 are included for purposes of foreign priority and may be canceled prior to issuance. The broken-line showing of the remainder of the user interface and the remainder of the display screen is for environmental purposes only and forms no part of the claimed design.

**1 Claim, 18 Drawing Sheets**



(56)

**References Cited**

U.S. PATENT DOCUMENTS

D688,680 S *	8/2013	Fleischmann et al. ....	D14/486	
D716,841 S *	11/2014	Allyn .....	D14/495	* cited by examiner
D719,586 S *	12/2014	Jon .....	D14/495	
D721,715 S *	1/2015	Bauermeister .....	D14/485	
2014/0039861 A1 *	2/2014	Kawakami et al. ....	703/11	

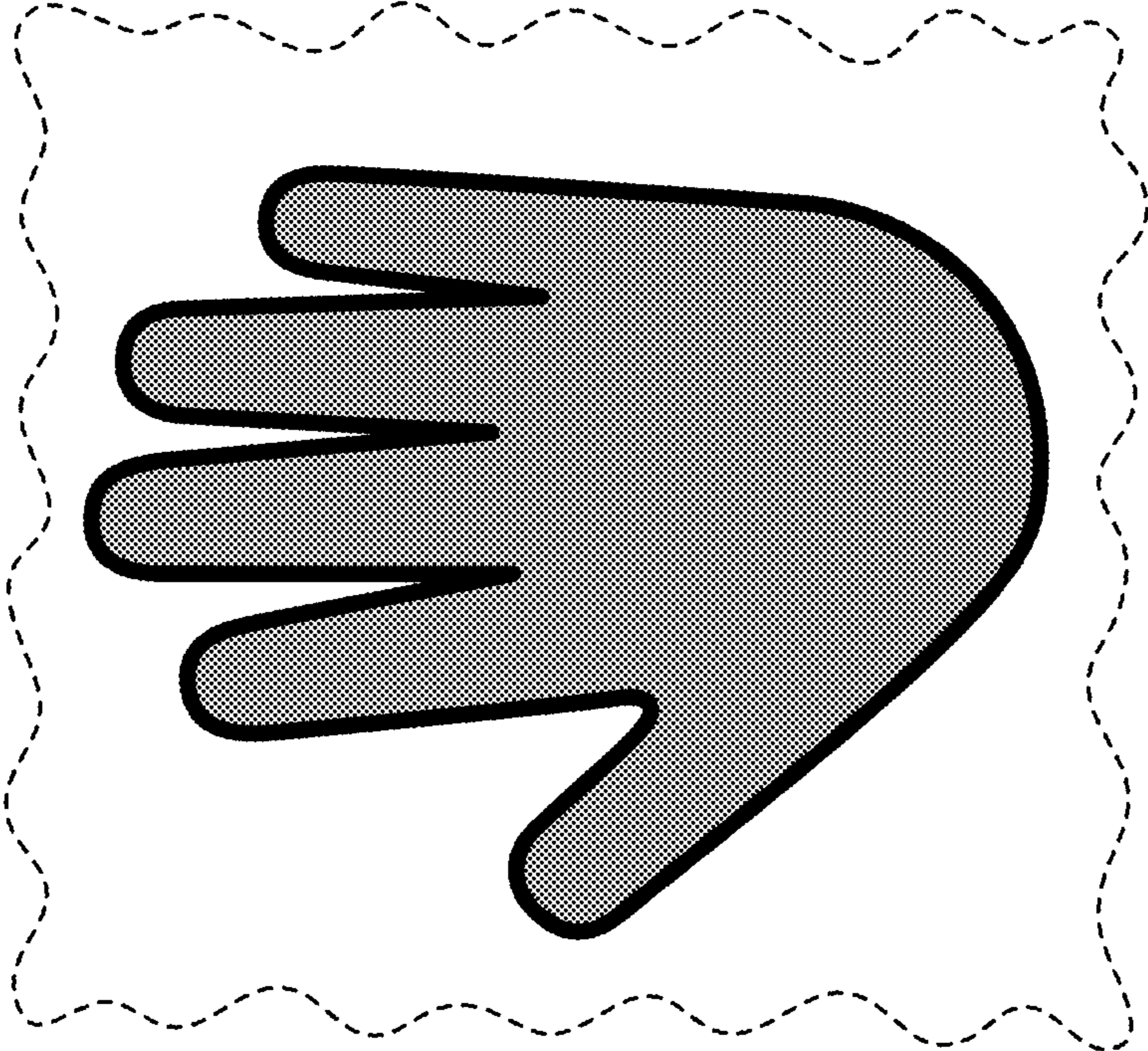


FIG. 1

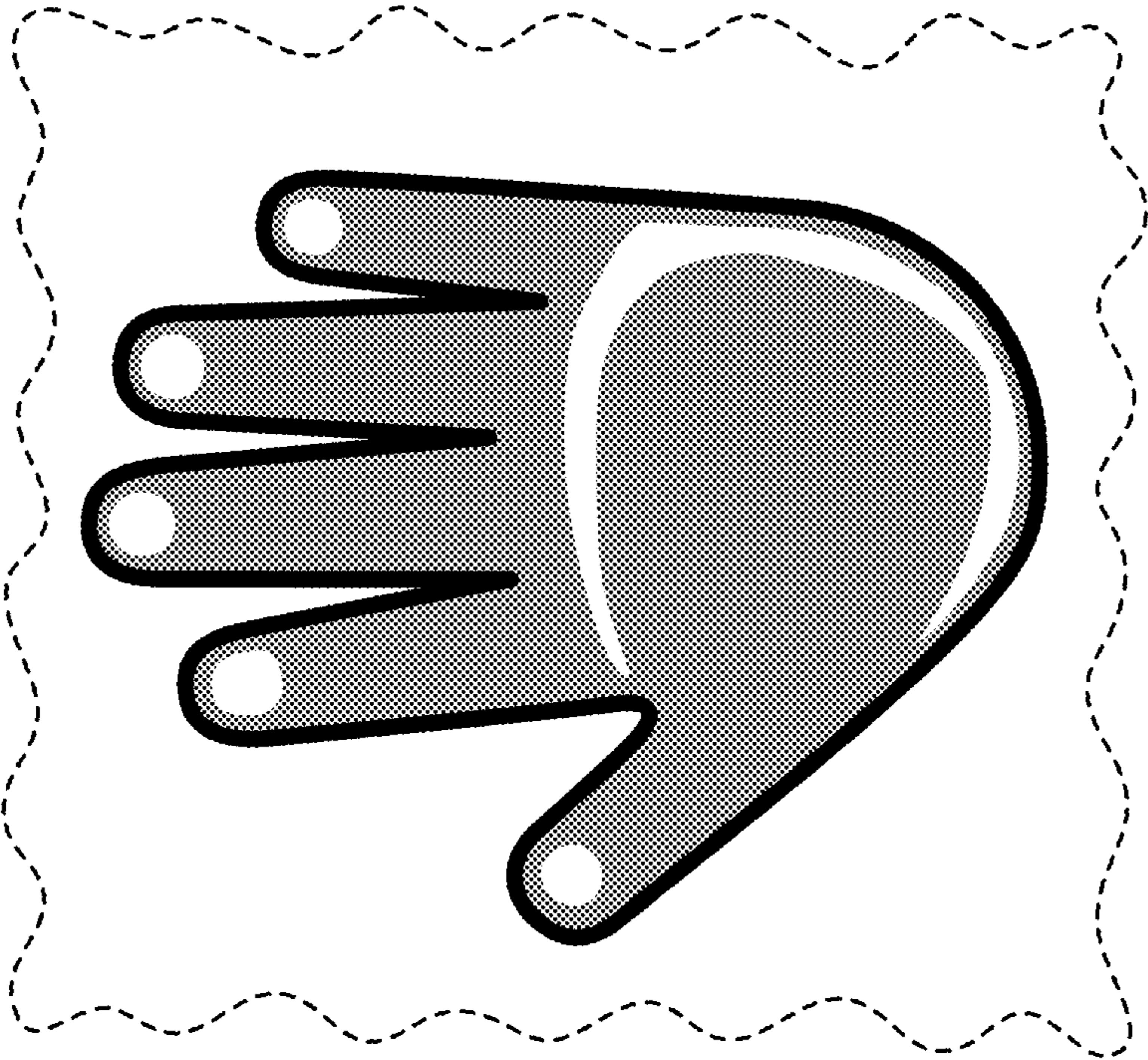


FIG. 2

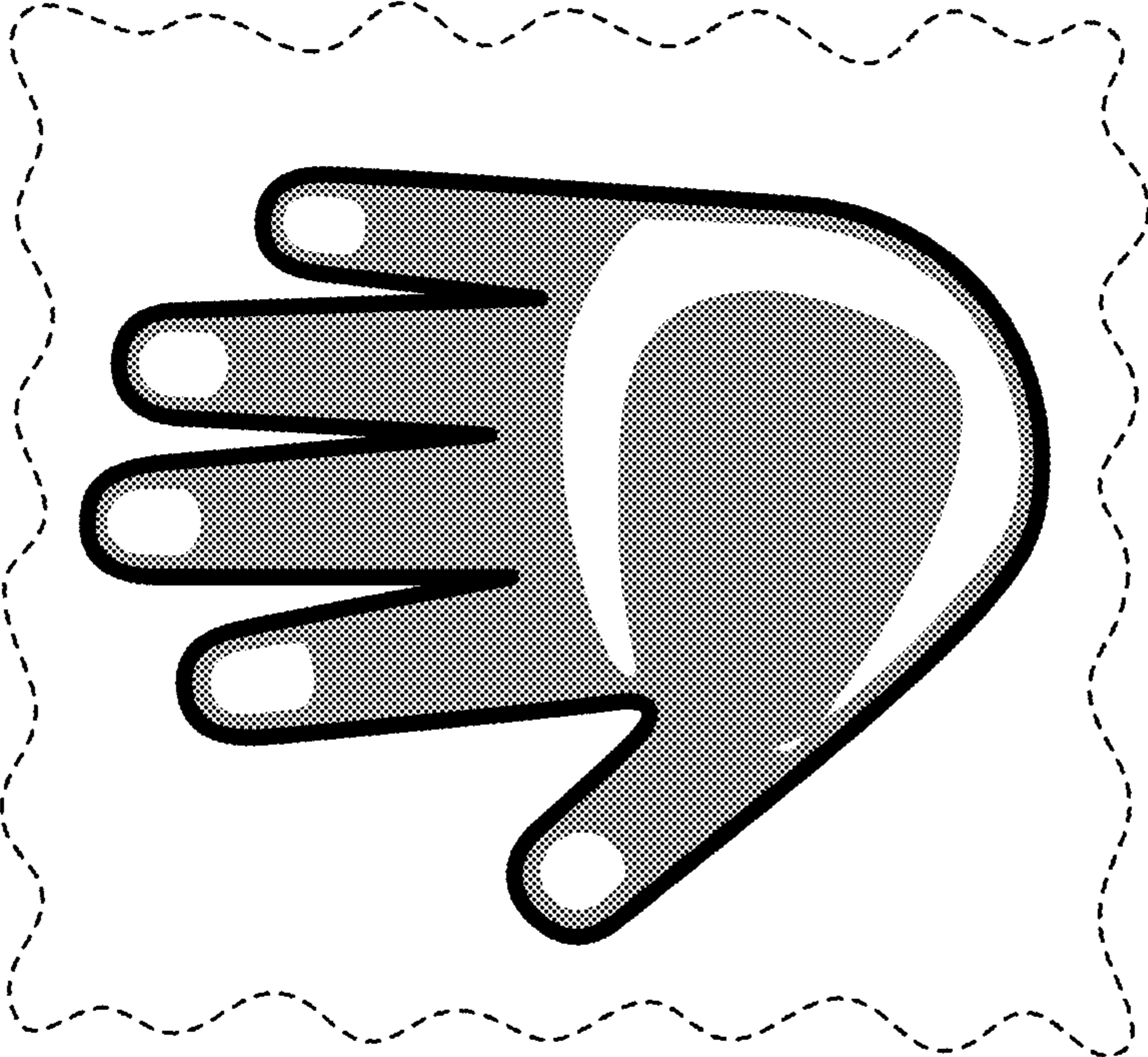


FIG. 3

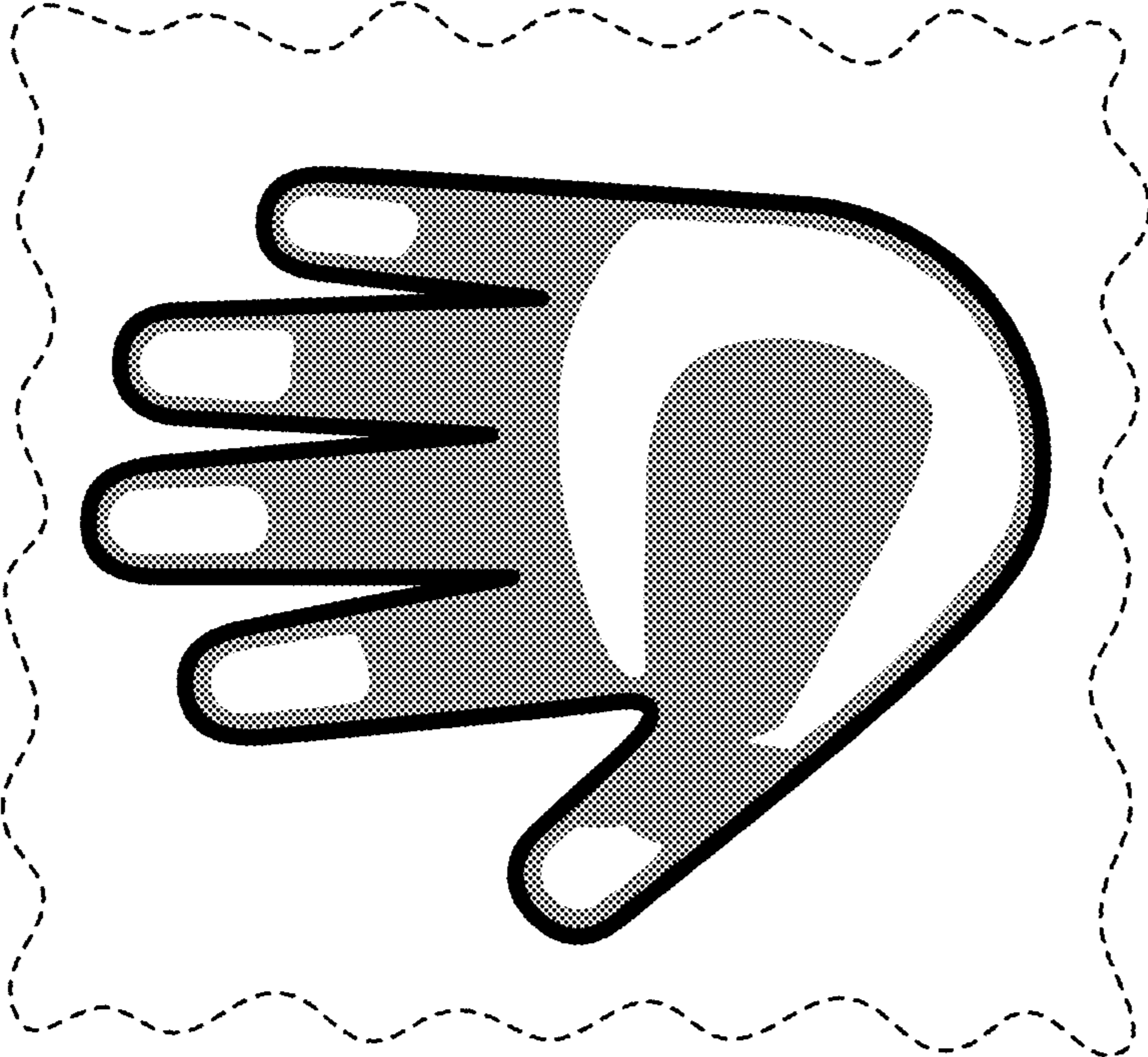


FIG. 4

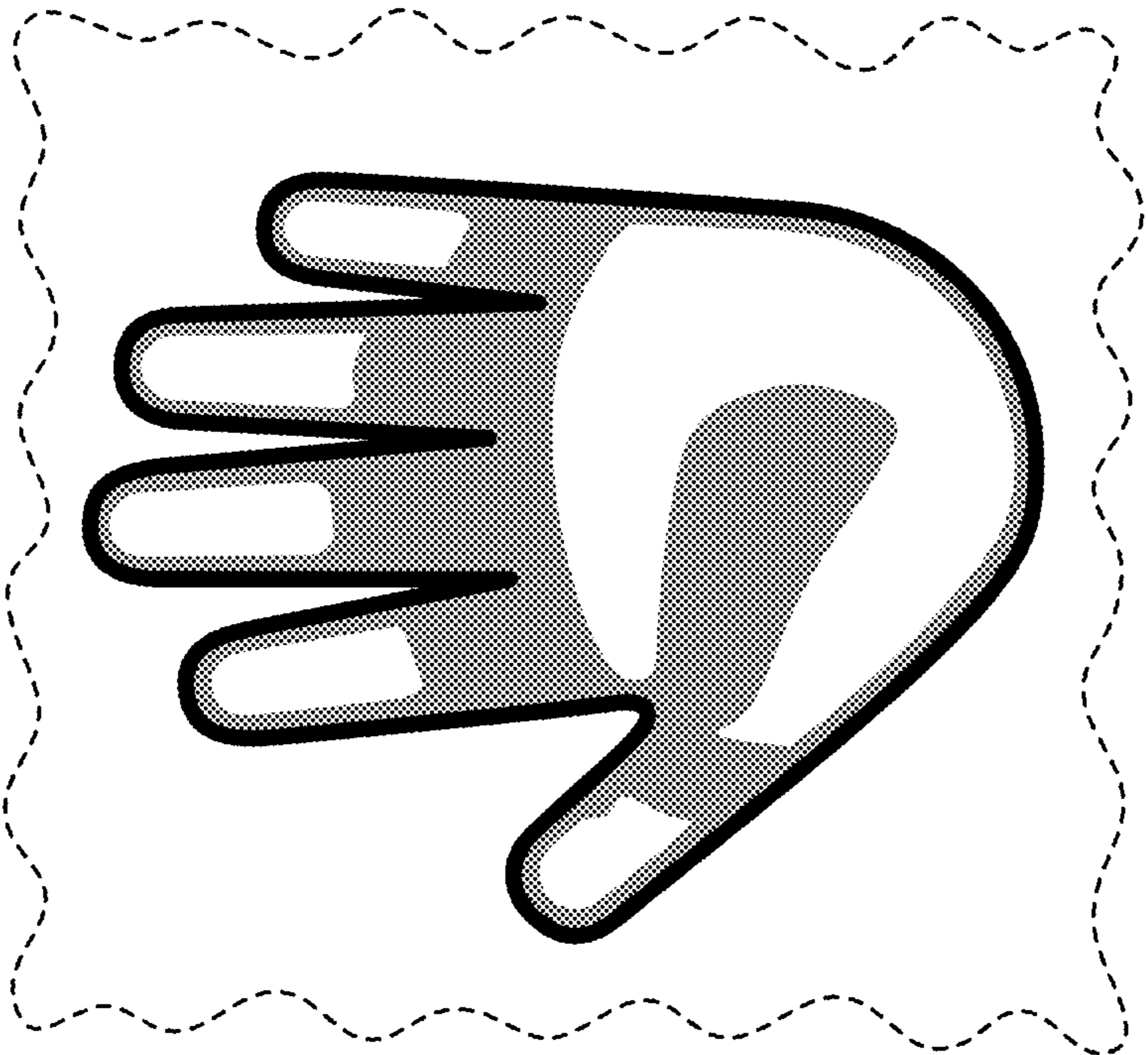


FIG. 5

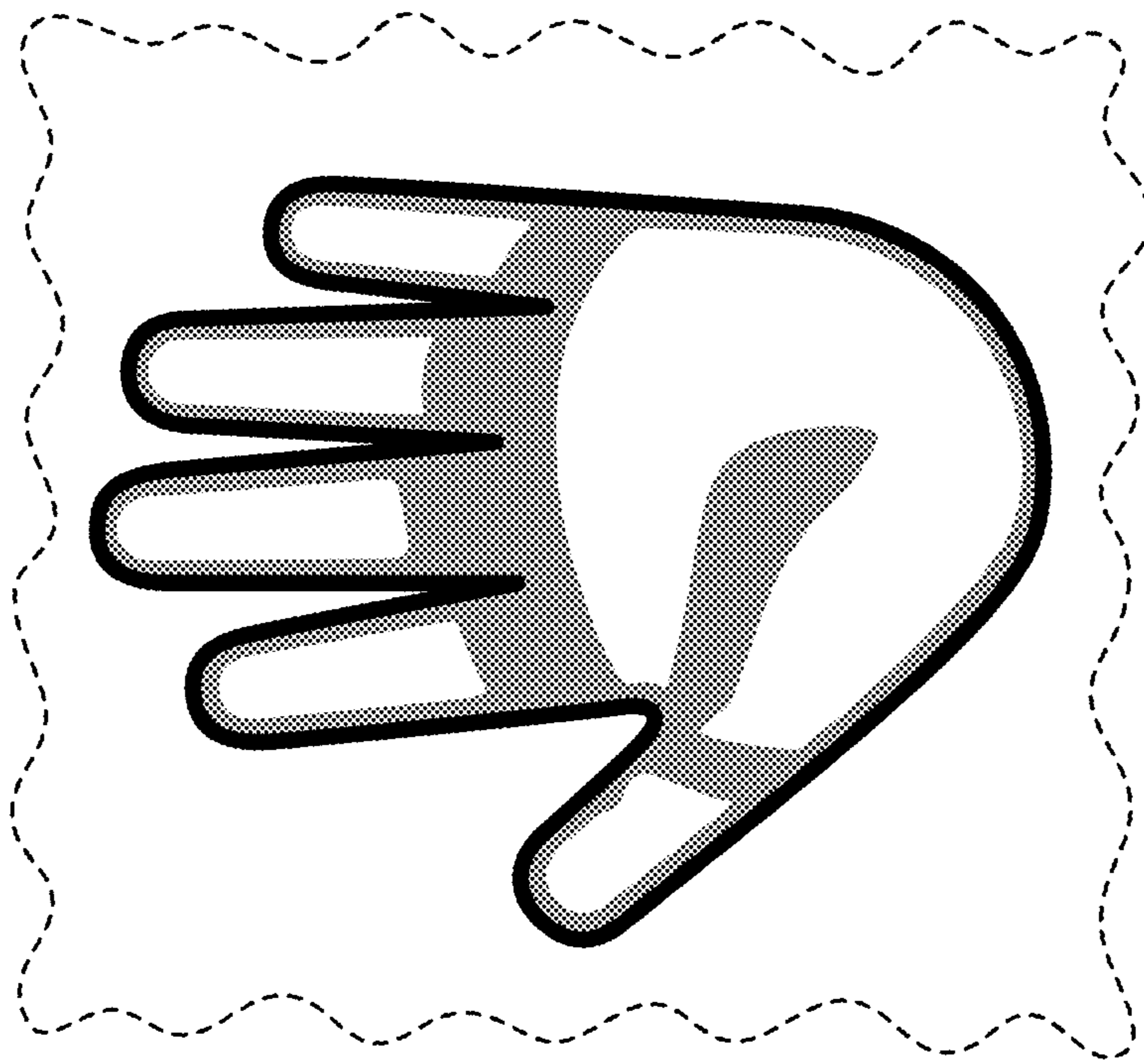


FIG. 6



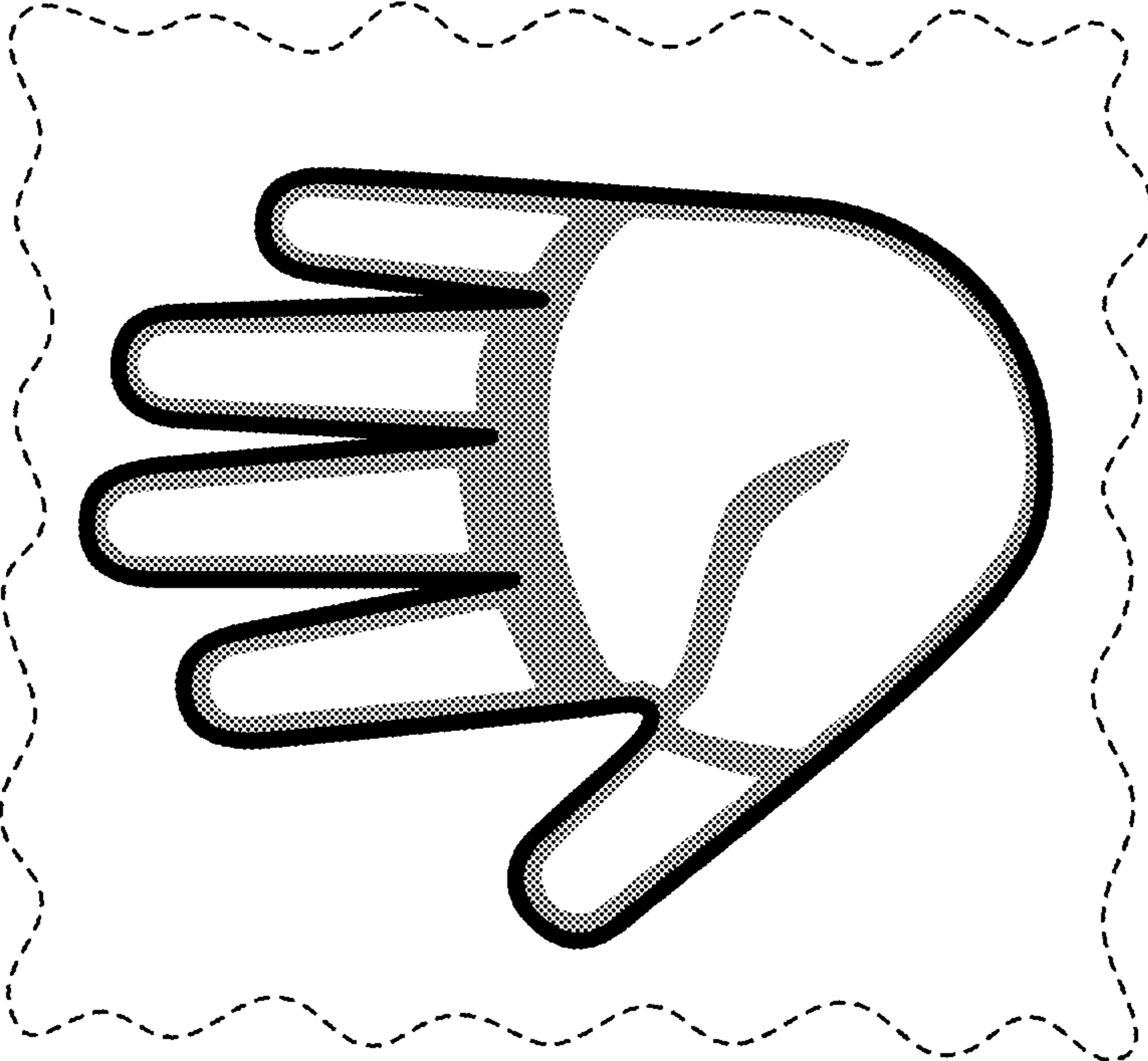


FIG. 7

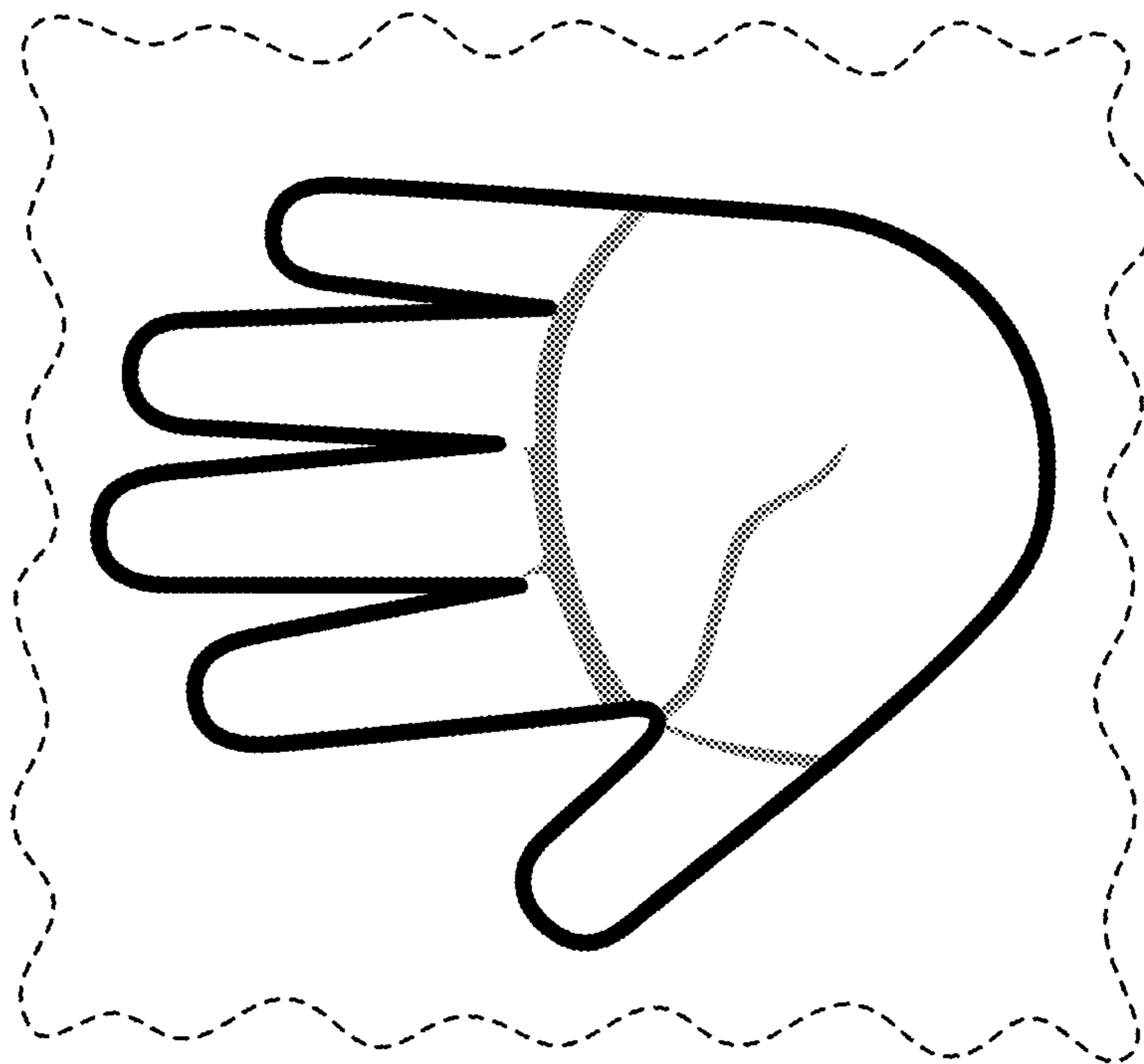


FIG. 8

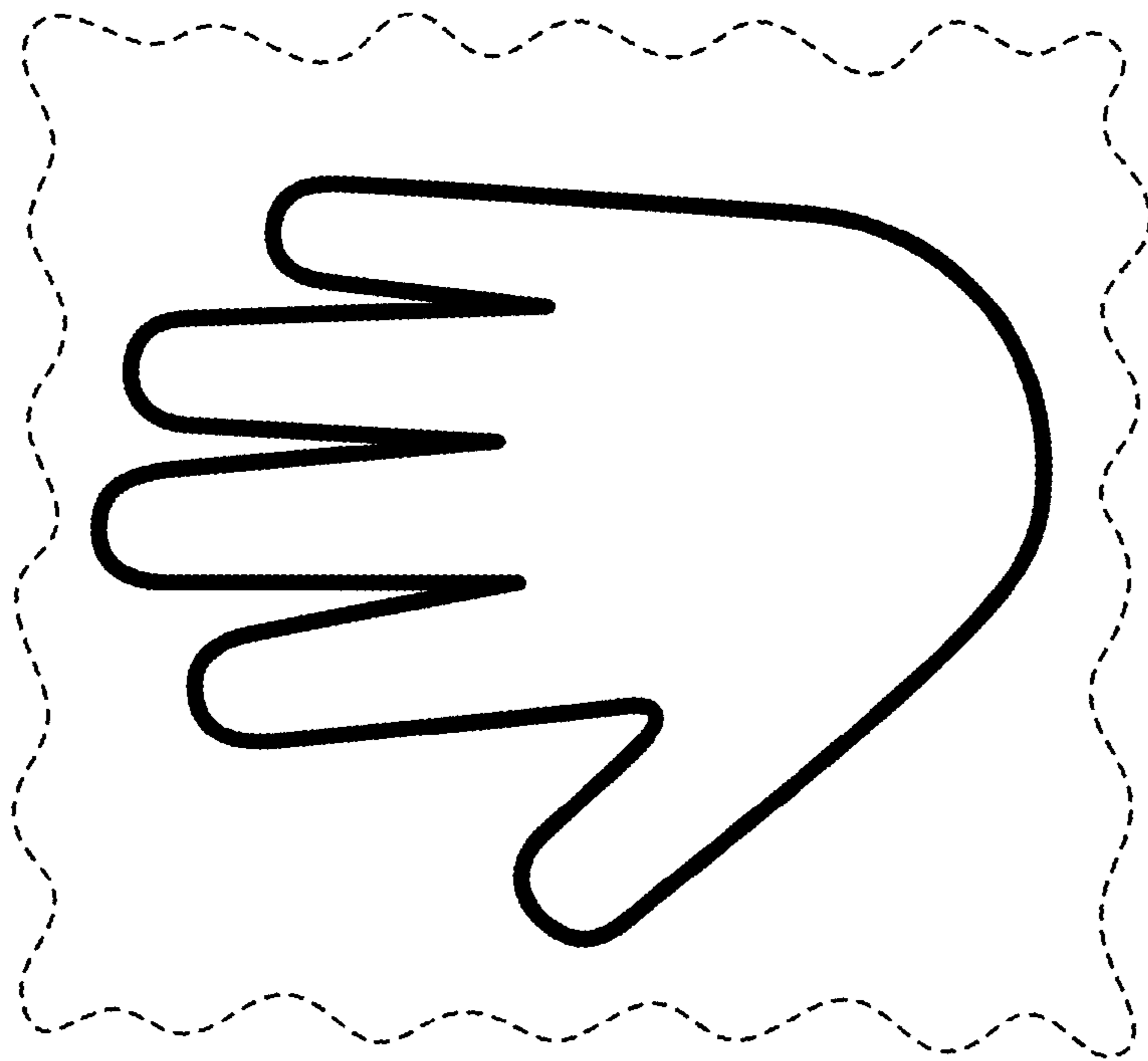


FIG. 9

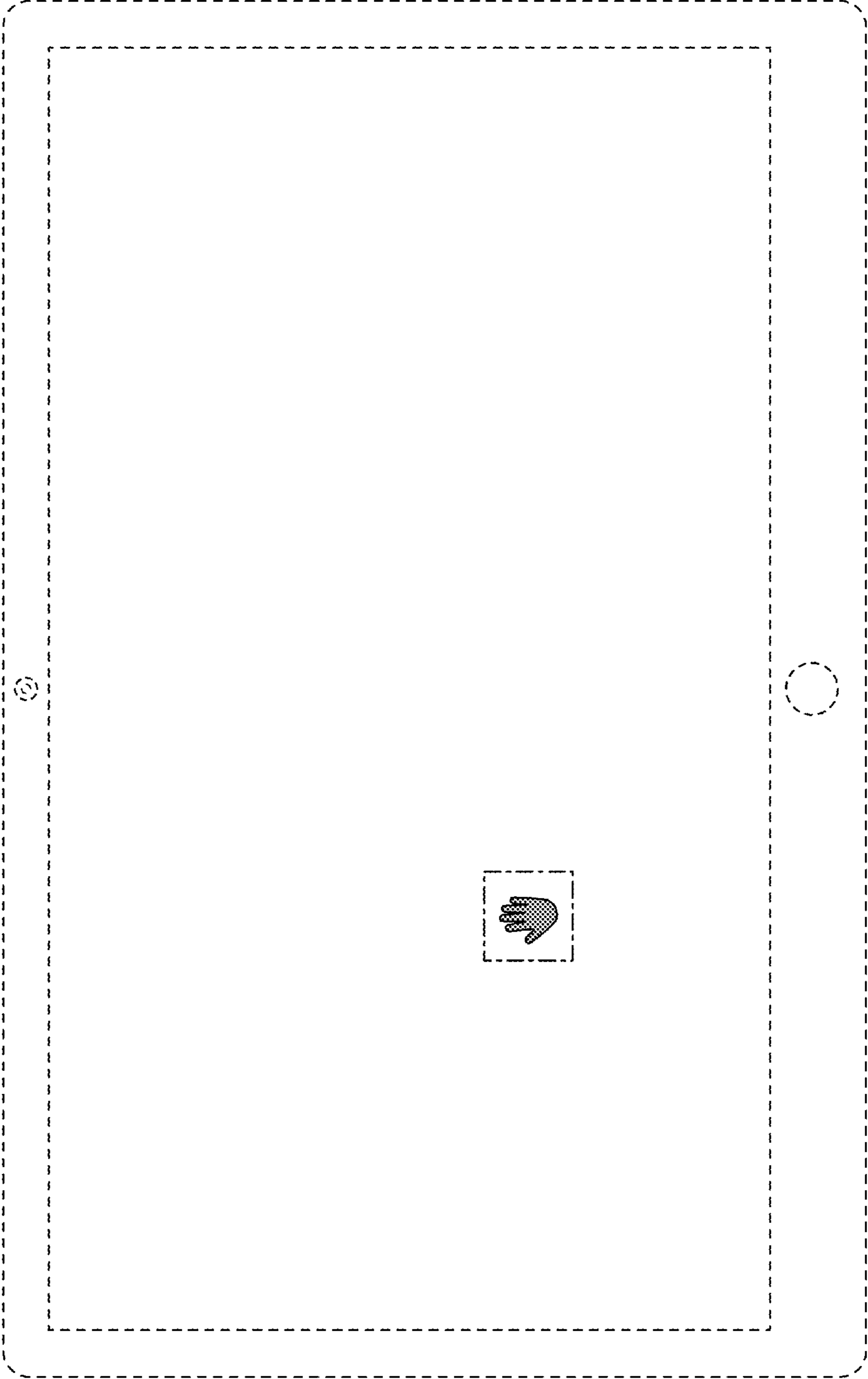


FIG. 10

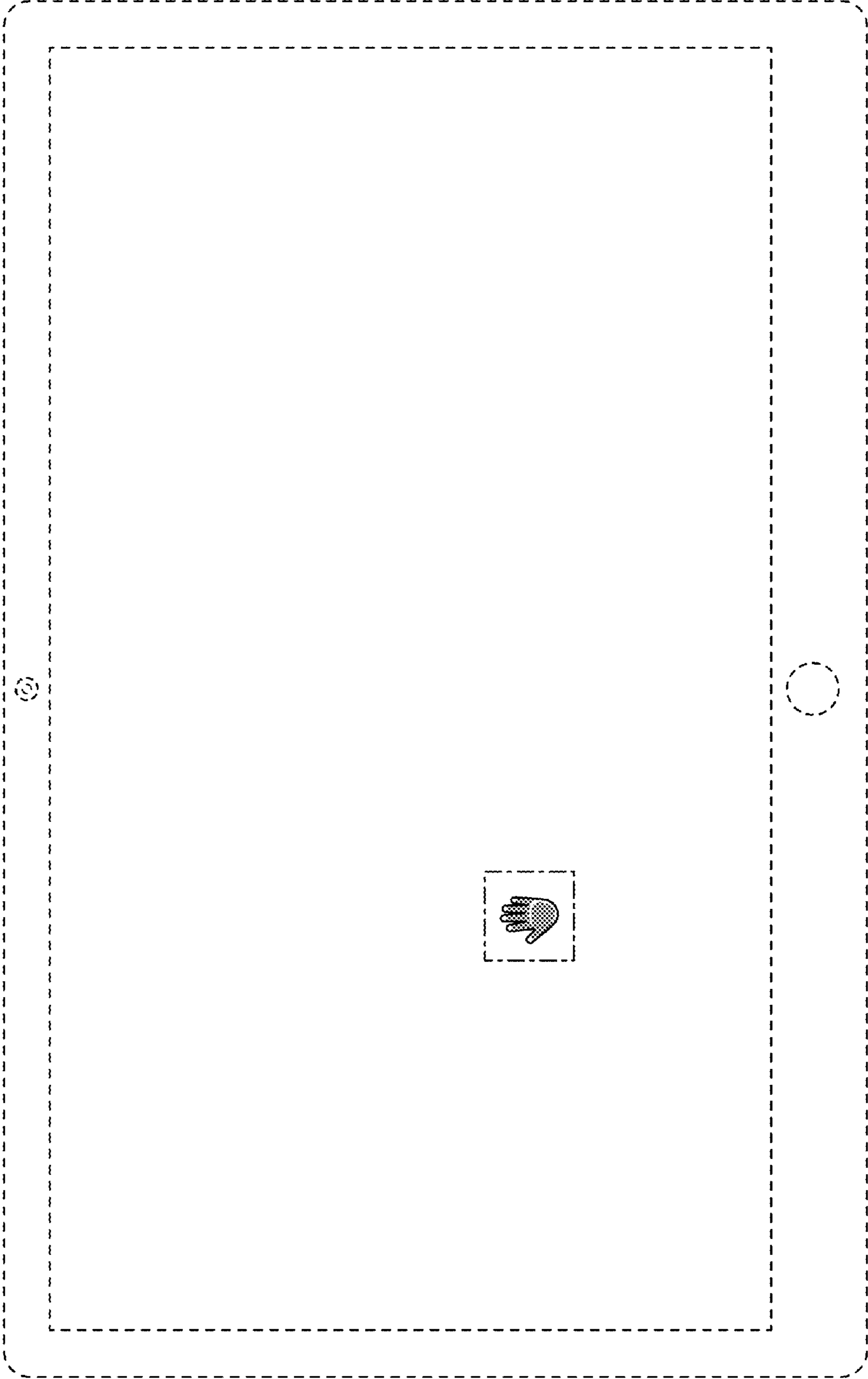


FIG. 11

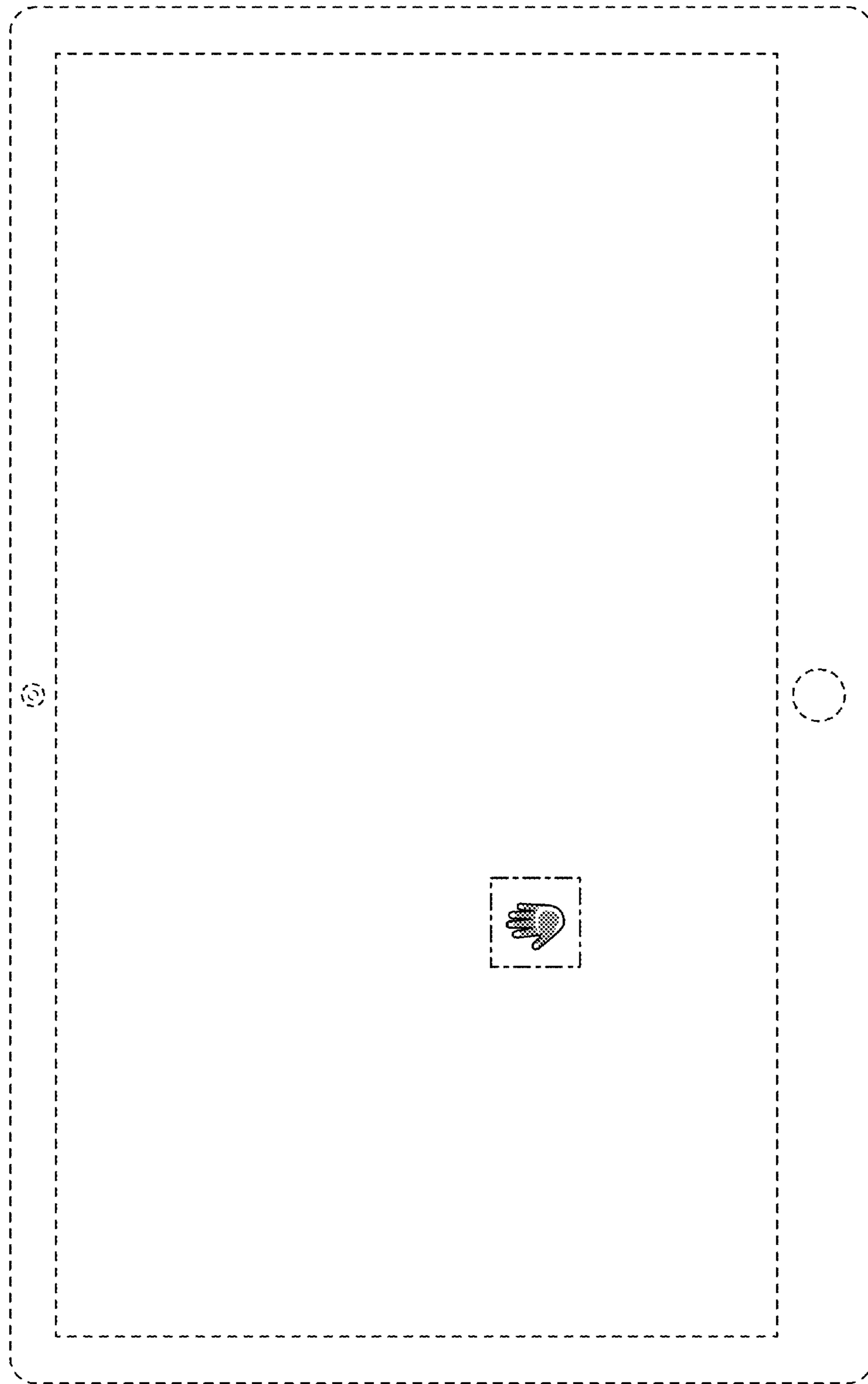


FIG. 12

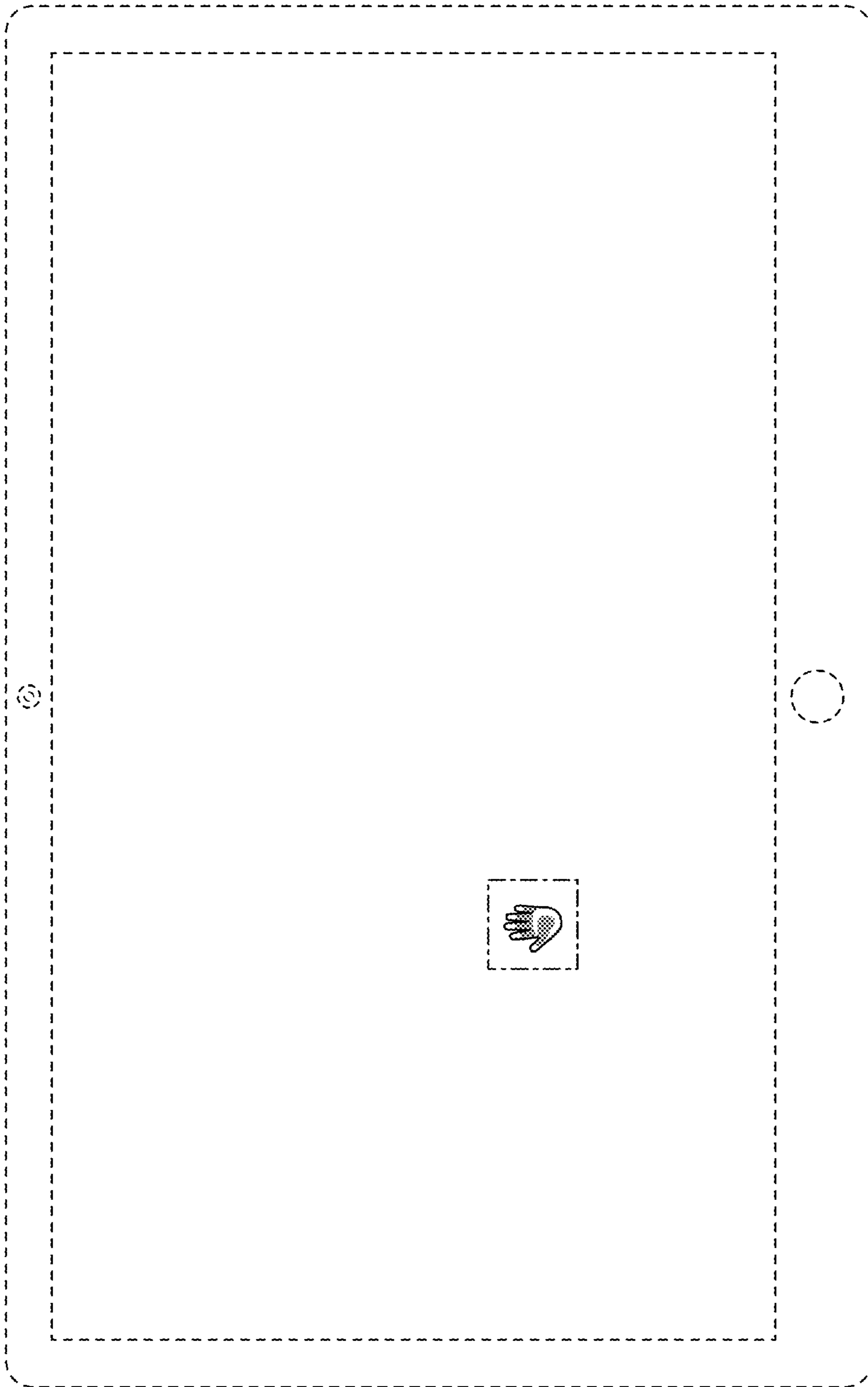


FIG. 13

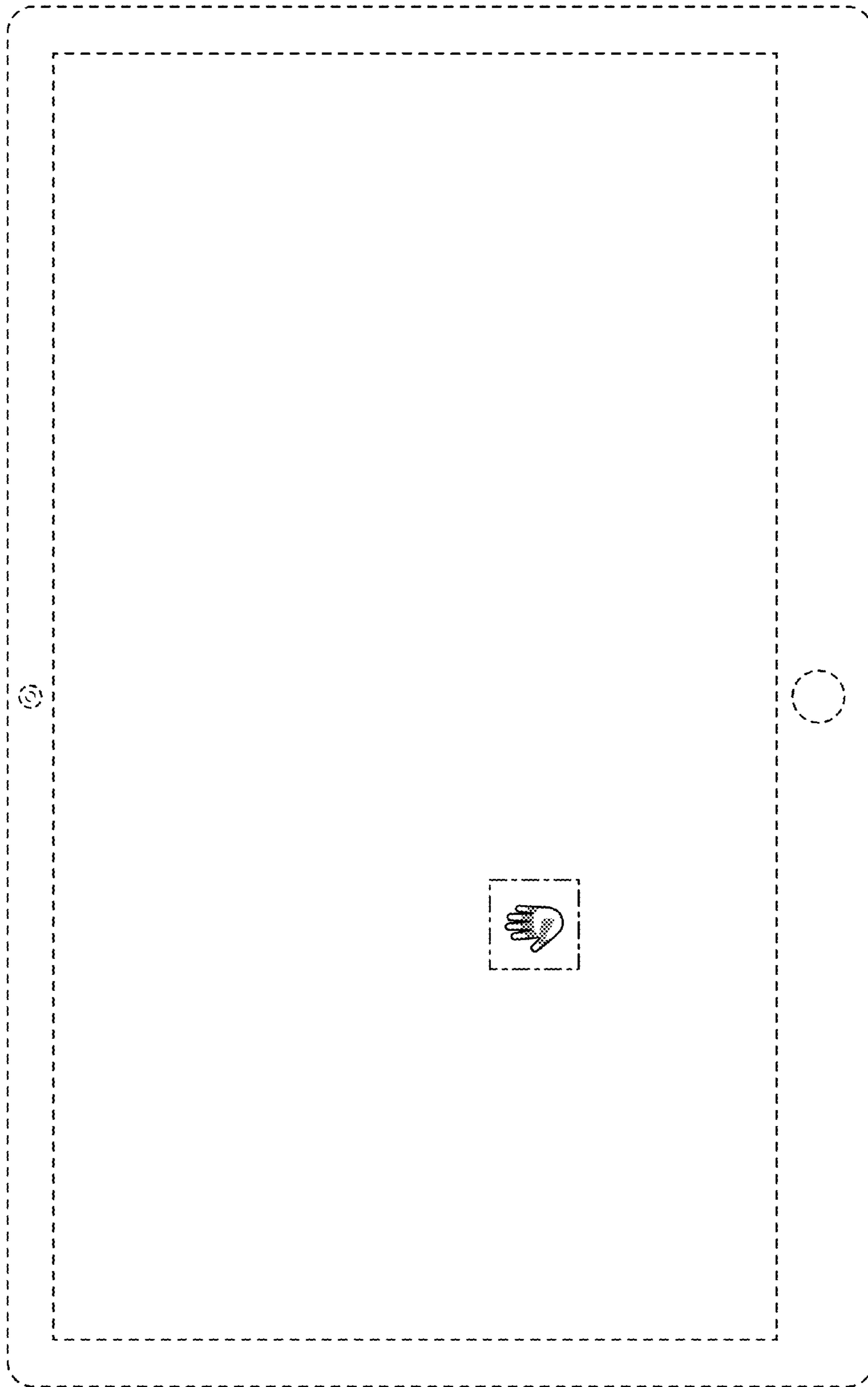


FIG. 14



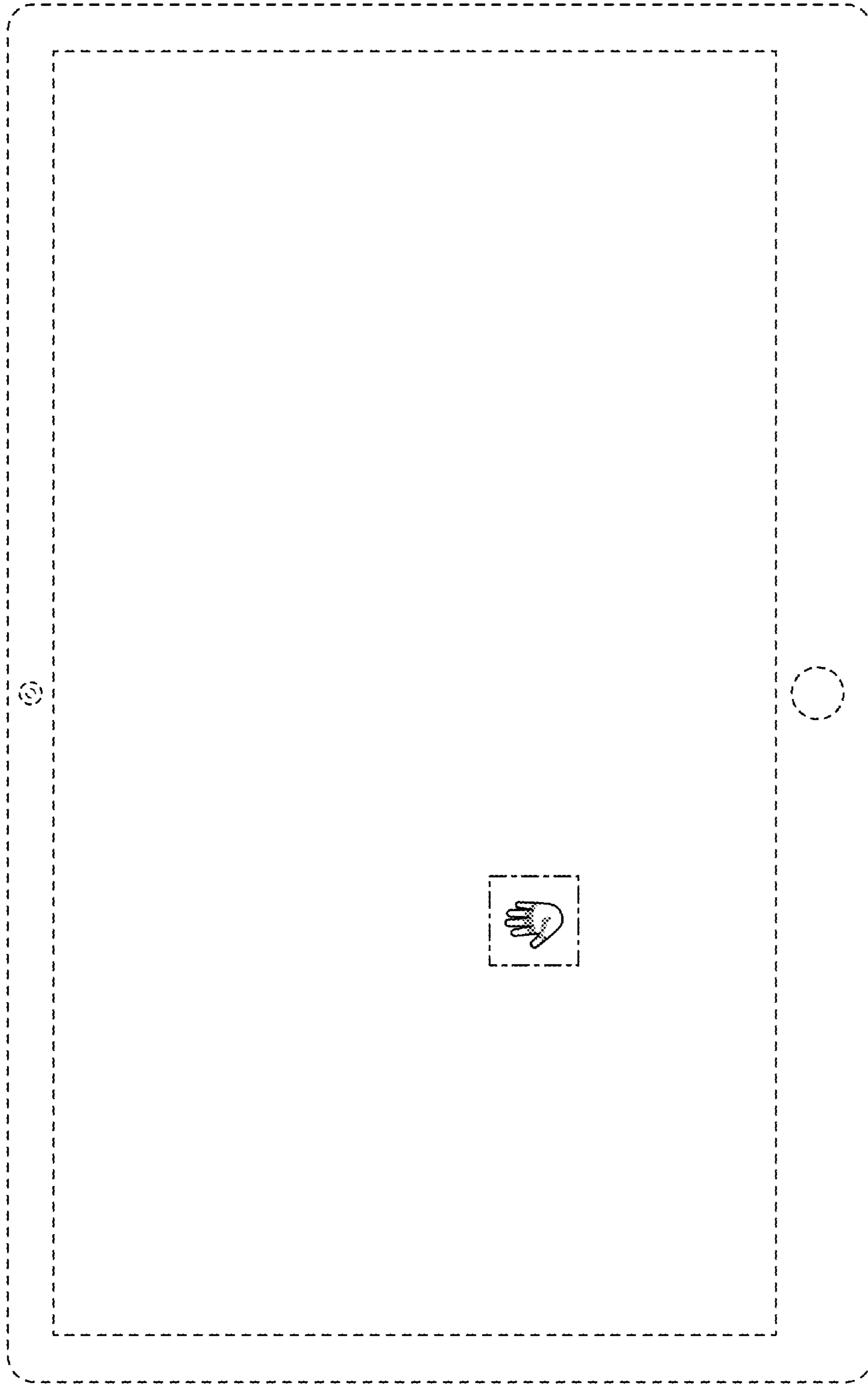


FIG. 15

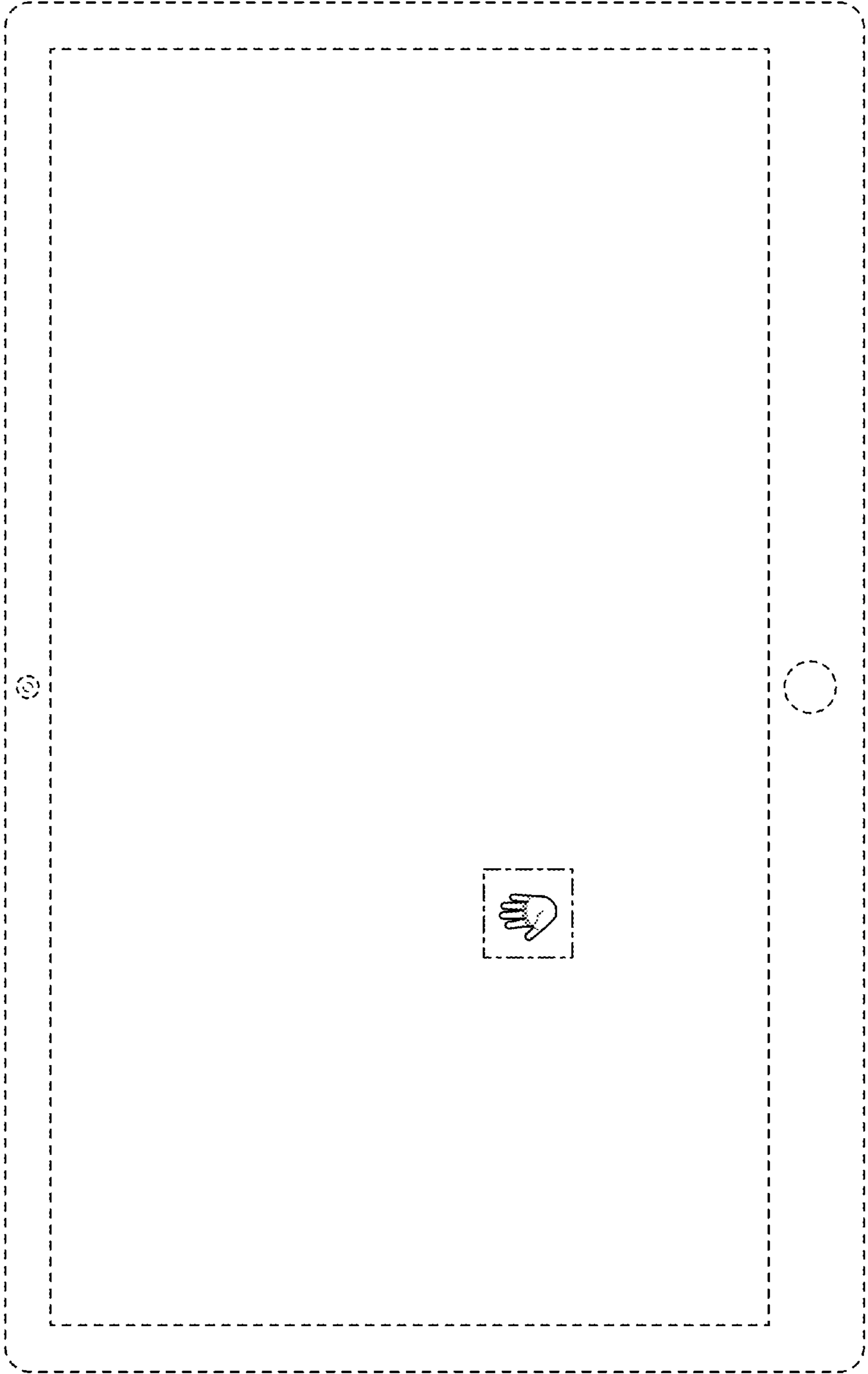


FIG. 16

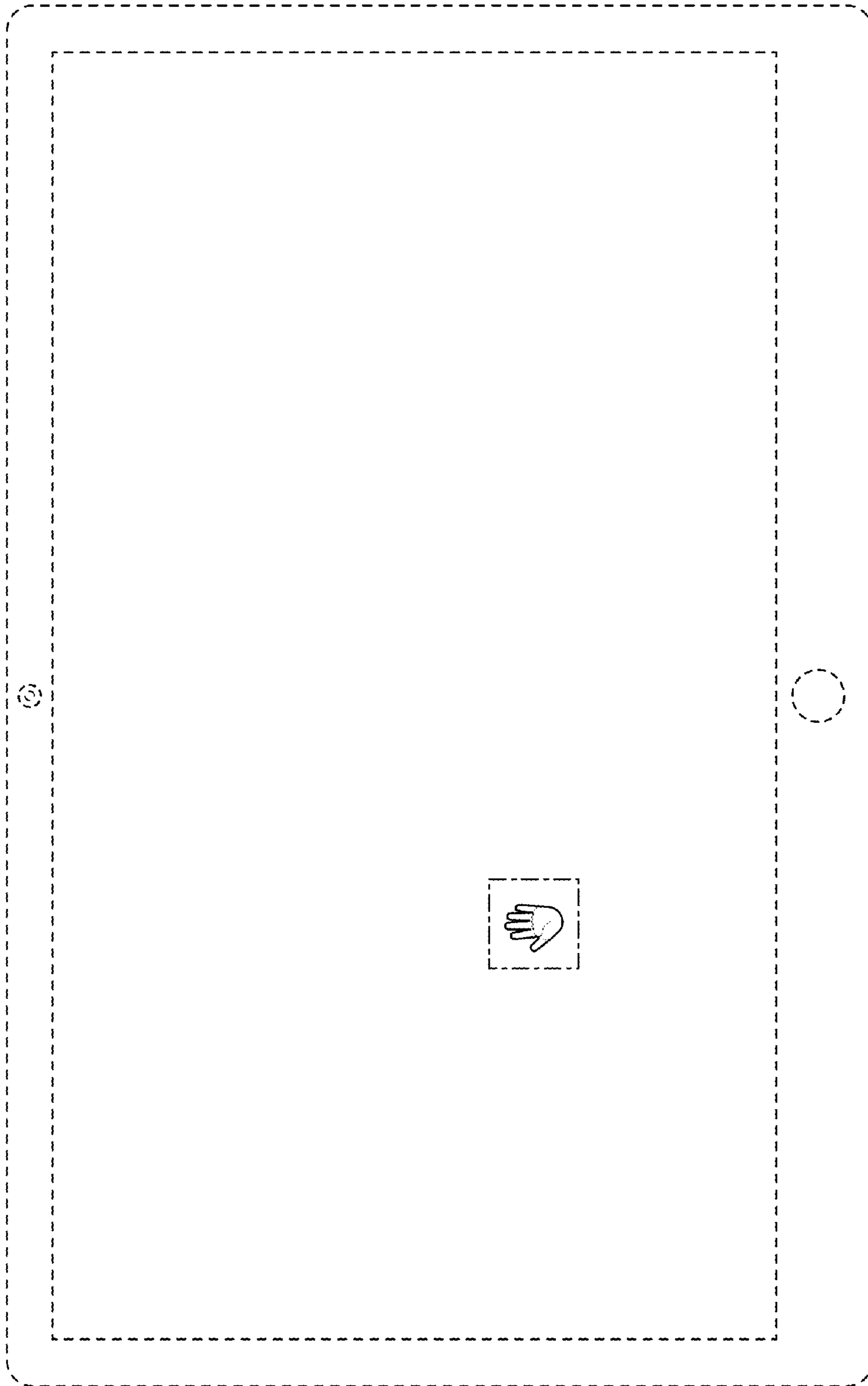


FIG. 17

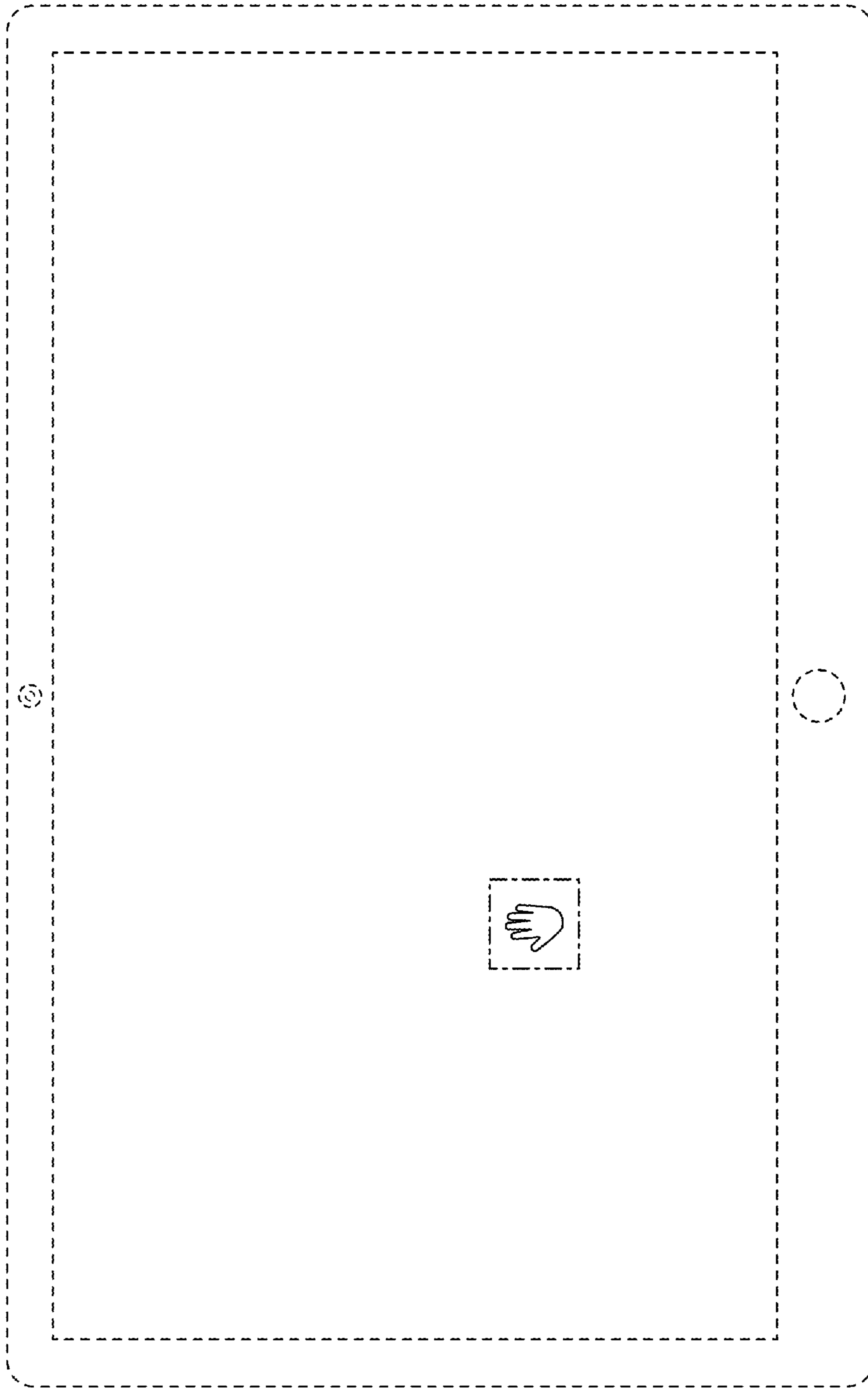


FIG. 18