



US00D737328S

(12) **United States Design Patent**
Watson et al.

(10) **Patent No.:** **US D737,328 S**

(45) **Date of Patent:** **** Aug. 25, 2015**

(54) **DISPLAY SCREEN WITH GRAPHICAL USER INTERFACE FOR VENOUS REFILL DETECTION**

(71) Applicant: **Covidien LP**, Mansfield, MA (US)

(72) Inventors: **Kristin Watson**, North Attleboro, MA (US); **Daniel Patrick O’Sullivan, Jr.**, Mont Vernon, NH (US)

(73) Assignee: **Covidien LP**, Mansfield, MA (US)

(**) Term: **14 Years**

(21) Appl. No.: **29/458,148**

(22) Filed: **Jun. 17, 2013**

(51) **LOC (10) Cl.** **14-04**

(52) **U.S. Cl.**
USPC **D14/495**

(58) **Field of Classification Search**
USPC D14/485–488, 489, 492, 494, 495
CPC G06F 3/04842; G06F 3/0482; G06F 3/04817; A61H 2205/106; A61H 2201/164
See application file for complete search history.

(56) **References Cited**

U.S. PATENT DOCUMENTS

4,702,232	A *	10/1987	Gardner et al.	601/152
5,307,791	A	5/1994	Senoue et al.	
5,368,549	A	11/1994	McVicker	
5,387,185	A	2/1995	Johnson, Jr. et al.	
5,389,065	A	2/1995	Johnson, Jr.	
5,413,142	A	5/1995	Johnson et al.	
5,435,009	A	7/1995	Schild et al.	
5,441,533	A	8/1995	Johnson et al.	
5,459,700	A	10/1995	Jacobs	
5,466,250	A	11/1995	Johnson, Jr. et al.	
5,492,133	A	2/1996	McVicker	
5,496,262	A	3/1996	Johnson, Jr. et al.	
5,577,998	A	11/1996	Johnson, Jr. et al.	
5,588,955	A	12/1996	Johnson, Jr. et al.	

5,656,226	A	8/1997	McVicker	
5,676,639	A	10/1997	Schild	
5,800,458	A	9/1998	Wingrove	
D399,501	S	10/1998	Arora et al.	
6,001,119	A	12/1999	Hampson et al.	
D418,498	S	1/2000	Leonard	
6,027,468	A	2/2000	Pick	
6,051,016	A	4/2000	Mesaros et al.	
6,080,120	A *	6/2000	Sandman et al.	601/152
RE37,338	E	8/2001	McVicker	
6,322,530	B1	11/2001	Johnson, Jr. et al.	
6,368,357	B1	4/2002	Schon et al.	
6,385,804	B1	5/2002	Barber et al.	
6,387,065	B1	5/2002	Tumey	
D462,362	S	9/2002	Sturm	
D462,696	S	9/2002	Sturm	
D462,698	S	9/2002	Sturm	
6,447,467	B1	9/2002	Barak	
D464,060	S	10/2002	Sturm	
6,463,934	B1	10/2002	Johnson, Jr. et al.	
6,478,757	B1	11/2002	Barak	
6,494,852	B1	12/2002	Barak et al.	
6,514,200	B1	2/2003	Khoury	
6,592,534	B1	7/2003	Rutt et al.	
6,605,103	B2	8/2003	Hovanes et al.	
6,755,798	B2	6/2004	McCarthy et al.	

(Continued)

Primary Examiner — Sheryl Lane

Assistant Examiner — Nicole Shiflet

(74) *Attorney, Agent, or Firm* — John Paul Mello, Esq.

(57) **CLAIM**

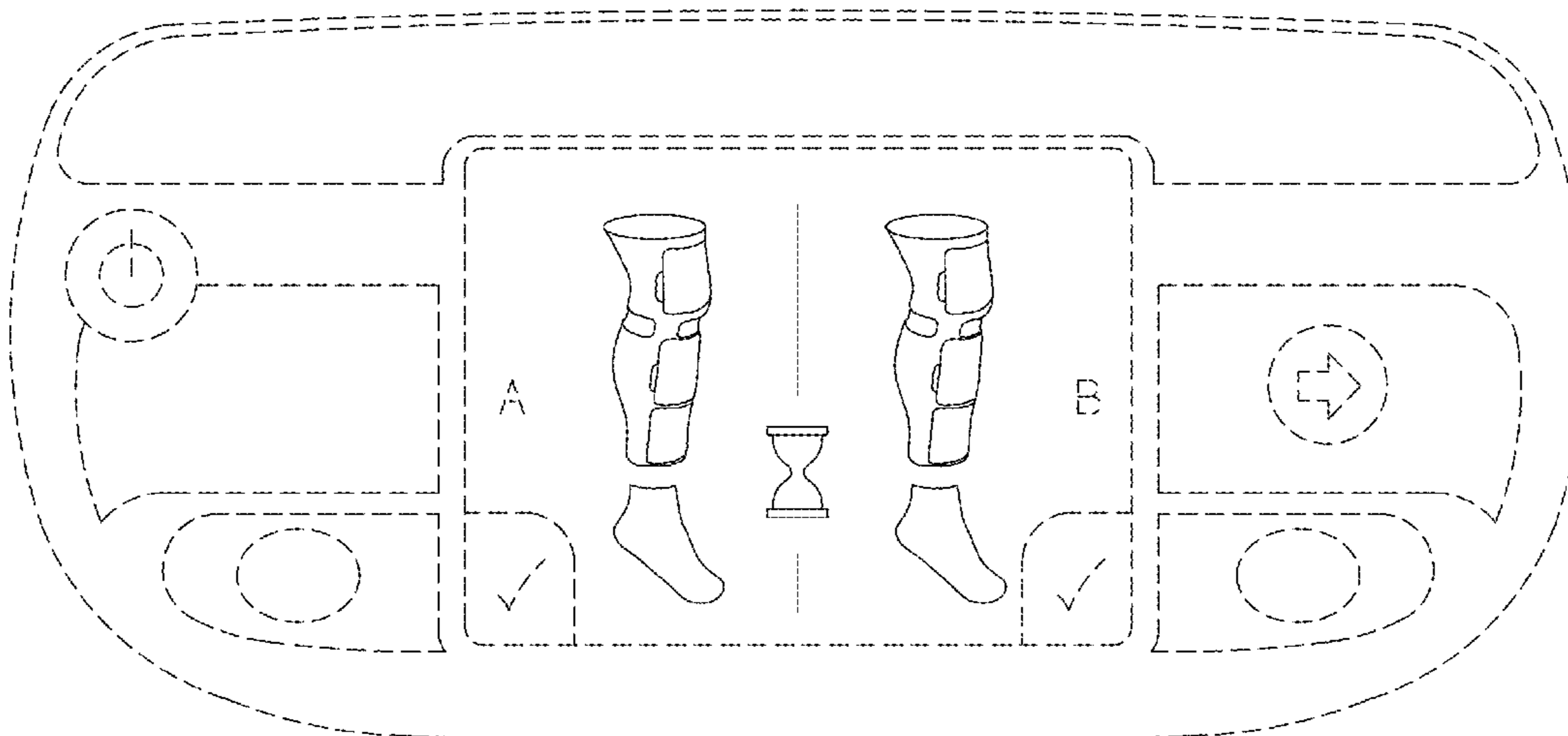
The ornamental design for a display screen with graphical user interface for venous refill detection, as shown and described.

DESCRIPTION

FIGURE is a front view of a display screen showing a venous refill detection window.

The broken lines showing the display screen are included for the purpose of illustrating environmental structure and form no part of the claimed design.

1 Claim, 1 Drawing Sheet



(56)

References Cited

U.S. PATENT DOCUMENTS

6,789,284 B2 9/2004 Kemp
 6,877,178 B2 4/2005 Chapman et al.
 7,001,384 B2 2/2006 Berish et al.
 7,063,676 B2 6/2006 Barak et al.
 7,076,993 B2 7/2006 Cook
 7,107,640 B2 9/2006 Chapman et al.
 D533,875 S 12/2006 Miles et al.
 7,354,410 B2 4/2008 Perry et al.
 7,591,796 B1 9/2009 Barak et al.
 7,618,384 B2 11/2009 Nardi et al.
 7,658,720 B2 2/2010 Johnson, III
 D626,562 S 11/2010 Batchelder et al.
 7,846,114 B2 12/2010 Webster et al.
 D637,617 S 5/2011 Batchelder et al.
 D637,618 S 5/2011 Batchelder et al.
 8,083,763 B2 12/2011 McEwen et al.

D660,316 S * 5/2012 Marchetti D14/495
 D660,318 S * 5/2012 Marchetti D14/495
 D660,873 S * 5/2012 Davydov et al. D14/495
 D661,319 S * 6/2012 Marchetti D14/495
 D663,318 S * 7/2012 Marchetti D14/495
 8,235,922 B2 8/2012 Rowe et al.
 8,394,043 B2 * 3/2013 Deshpande et al. 601/150
 8,460,224 B2 * 6/2013 Wilford et al. 601/151
 D692,459 S * 10/2013 Fripp et al. D14/492
 2003/0216651 A1 11/2003 Burns et al.
 2005/0159690 A1 7/2005 Barak et al.
 2011/0190675 A1 8/2011 Vess
 2011/0282221 A1 11/2011 Sawanoi et al.
 2012/0083712 A1 4/2012 Watson et al.
 2012/0143069 A1 6/2012 Takeoka et al.
 2012/0209153 A1 8/2012 Farrow et al.
 2013/0184622 A1 * 7/2013 Farrow 601/149
 2013/0333368 A1 * 12/2013 Durfee et al. 60/370
 2014/0259260 A1 * 9/2014 Behrend et al. 2/22

* cited by examiner

