



US00D737277S

(12) **United States Design Patent**
Song et al.

(10) **Patent No.:** **US D737,277 S**
(45) **Date of Patent:** **** Aug. 25, 2015**

(54) **DISPLAY JACKET**

(71) Applicant: **Hewlett-Packard Development Company, L.P.**, Houston, TX (US)

(72) Inventors: **Ki Bok Song**, The Woodlands, TX (US); **Eric Chen**, Spring, TX (US); **Robert J. Kelley**, The Woodlands, TX (US)

(73) Assignee: **Hewlett-Packard Development Company, L.P.**, Houston, TX (US)

(**) Term: **14 Years**

(21) Appl. No.: **29/445,798**

(22) Filed: **Feb. 15, 2013**

(51) **LOC (10) Cl.** **14-02**

(52) **U.S. Cl.**
USPC **D14/450**

(58) **Field of Classification Search**
USPC D14/440, 450, 250, 251, 253, 217, 496, D14/203.3, 203.4, 203.5, 203.8, 341, 318, D14/388-390, 383, 374, 371, 456; D19/52; D10/65; 178/18.01, 18.03-18.09, 178/18.11; 345/173-178; D3/218, 215, D3/201, 294, 289, 900; D21/469
See application file for complete search history.

(56) **References Cited**

U.S. PATENT DOCUMENTS

D524,809 S *	7/2006	Alcouloumre et al.	D14/341
D575,056 S *	8/2008	Tan	D3/218
D623,180 S *	9/2010	Diebel	D14/250
D656,495 S *	3/2012	Andre et al.	D14/250
D658,641 S *	5/2012	Fahrendorff et al.	D14/250
D678,290 S *	3/2013	Smith et al.	D14/440
D689,481 S *	9/2013	Song et al.	D14/341
D689,499 S *	9/2013	Chen et al.	D14/440

D692,880 S *	11/2013	Song et al.	D14/341
D705,861 S *	5/2014	Tjin et al.	D18/50
D706,763 S *	6/2014	Wolff et al.	D14/315
D706,764 S *	6/2014	Wolff et al.	D14/315
D706,765 S *	6/2014	Wolff et al.	D14/315
2010/0289390 A1 *	11/2010	Kenney	312/223.1
2013/0094134 A1 *	4/2013	Ashcraft et al.	361/679.29
2014/0083997 A1 *	3/2014	Chen et al.	220/4.02

* cited by examiner

Primary Examiner — Deanna L Pratt

Assistant Examiner — Katie Mroczka

(74) *Attorney, Agent, or Firm* — Rathe Lindenbaum LLP

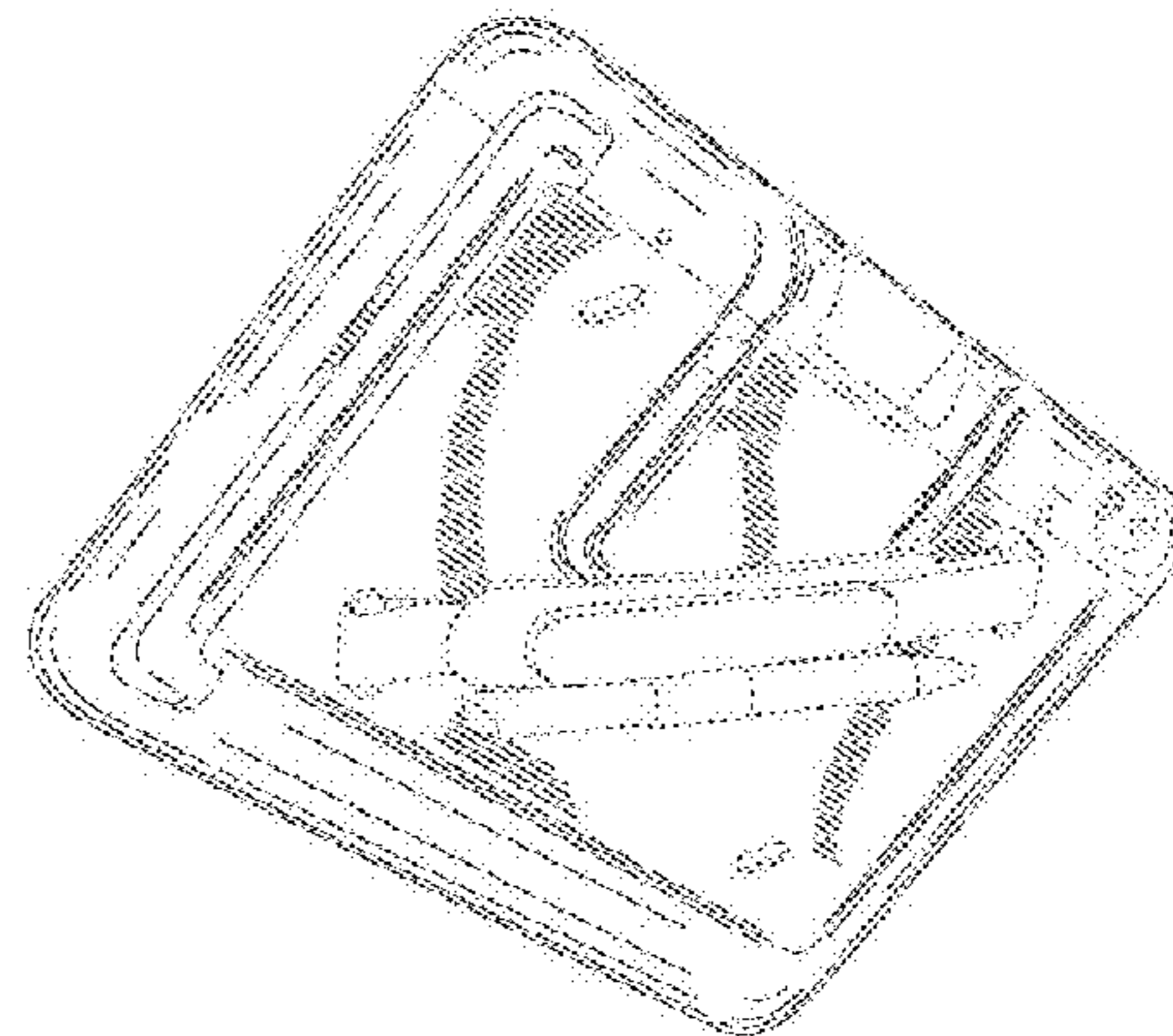
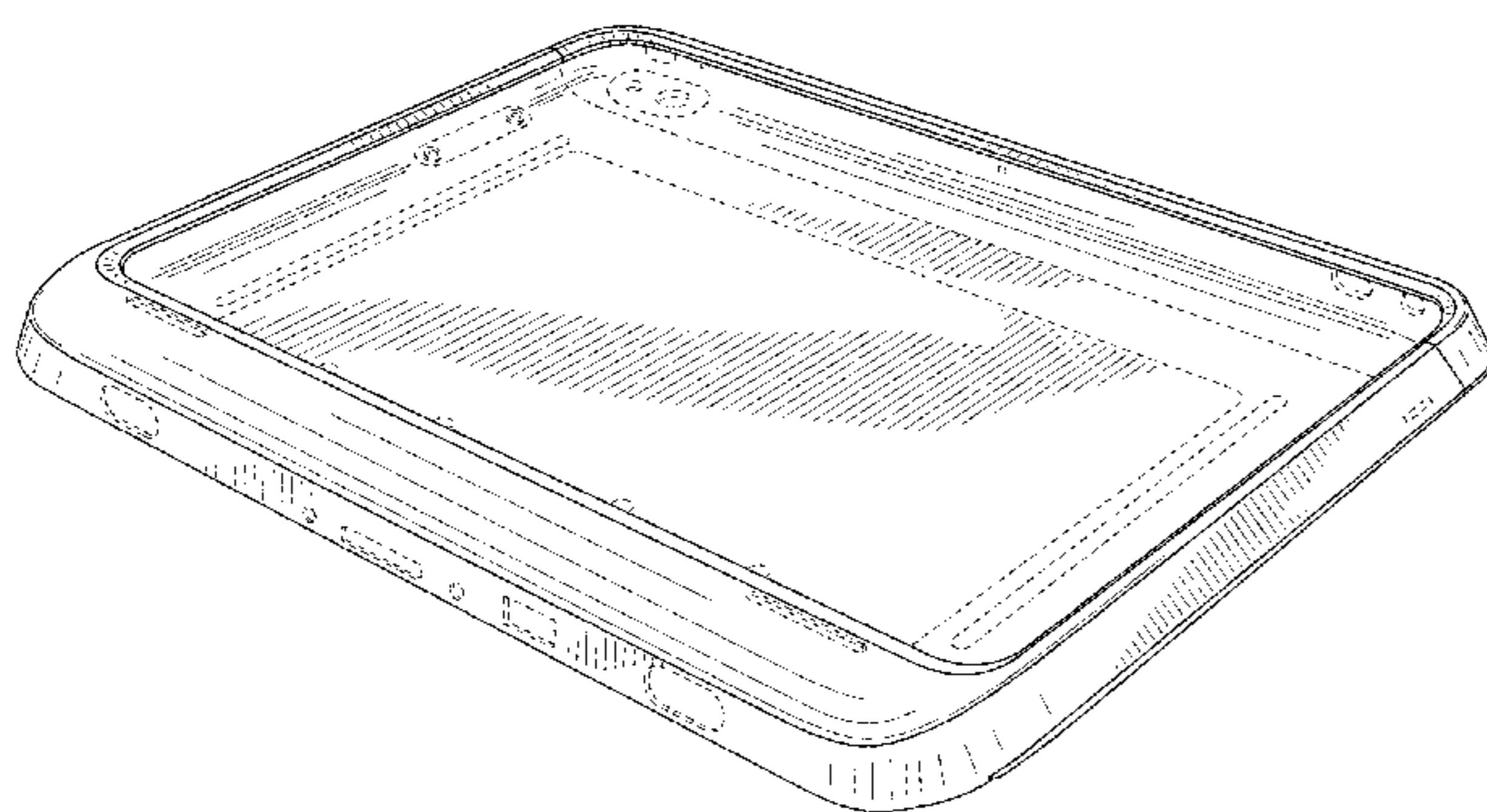
(57) **CLAIM**

We claim the ornamental design for a display jacket, as shown and described.

DESCRIPTION

FIG. 1 is a front perspective view of a display jacket; FIG. 2 is a rear perspective view thereof; FIG. 3 is a front view thereof; FIG. 4 is a rear view thereof; FIG. 5 is a top view thereof; FIG. 6 is a bottom side view thereof; FIG. 7 is a left side view thereof; FIG. 8 is a right side view thereof; FIG. 9 is a front perspective view thereof with the display jacket receiving a display; and, FIG. 10 is a rear perspective view thereof with the display jacket having an attached strap and pen. The broken lines shown in FIGS. 1-8 illustrate portions of the display jacket that form no part of the claimed design. The broken lines illustrating the display, strap, and pen in FIGS. 9 and 10 are environment, while the remaining broken lines in FIGS. 9 and 10 illustrate portions of the display jacket that form no part of the claimed design.

1 Claim, 8 Drawing Sheets



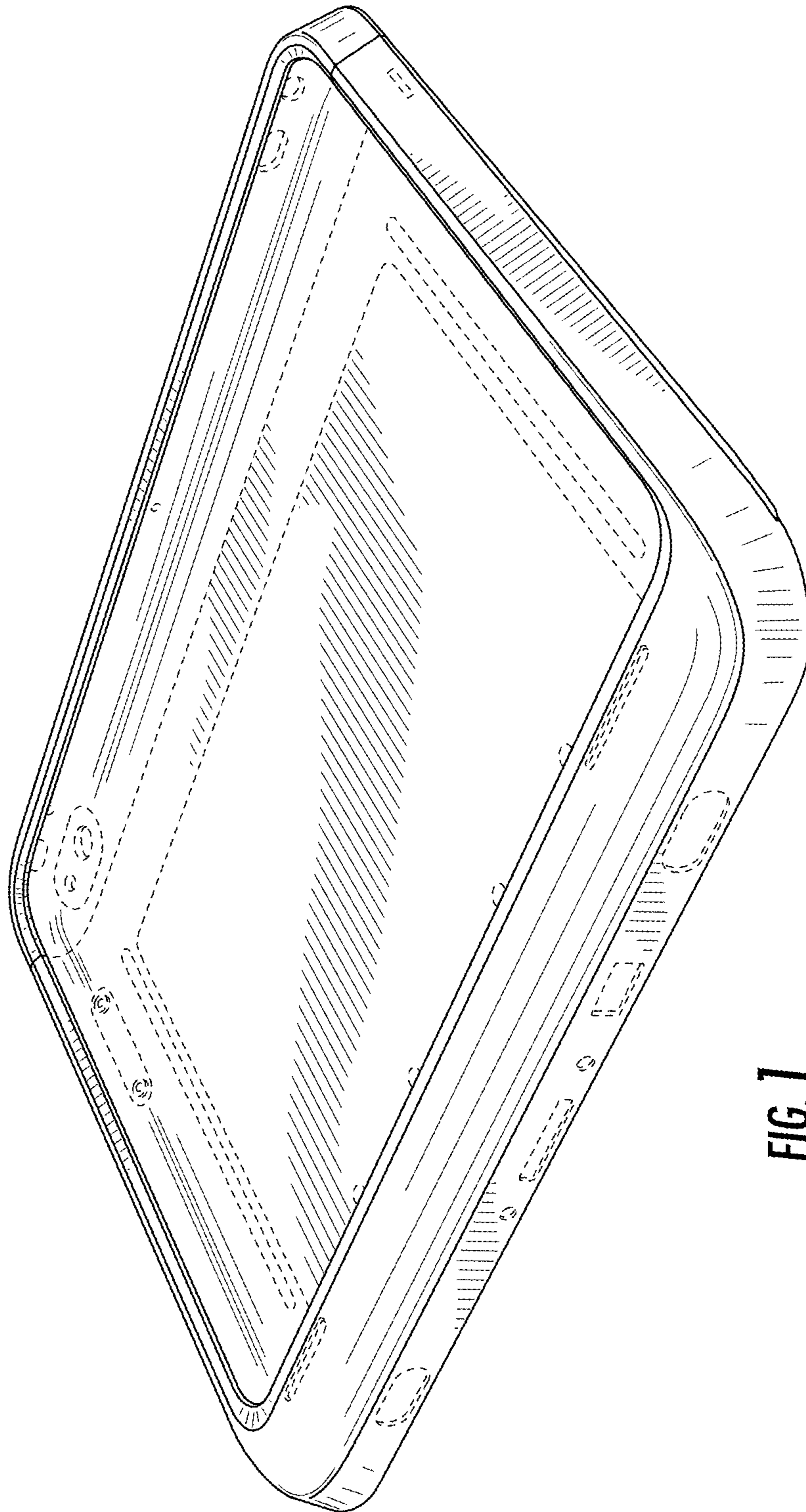


FIG. 1

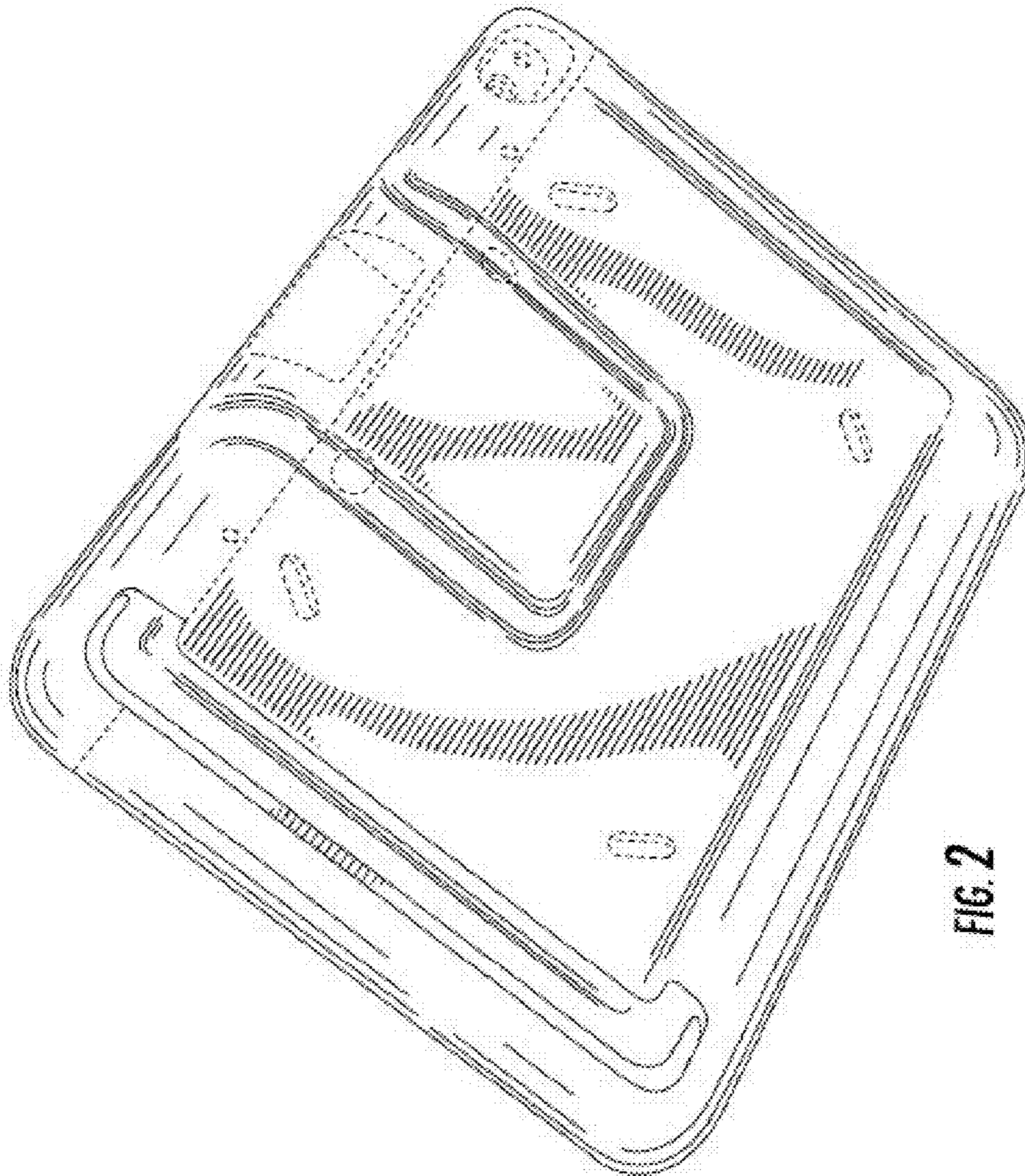


FIG. 2

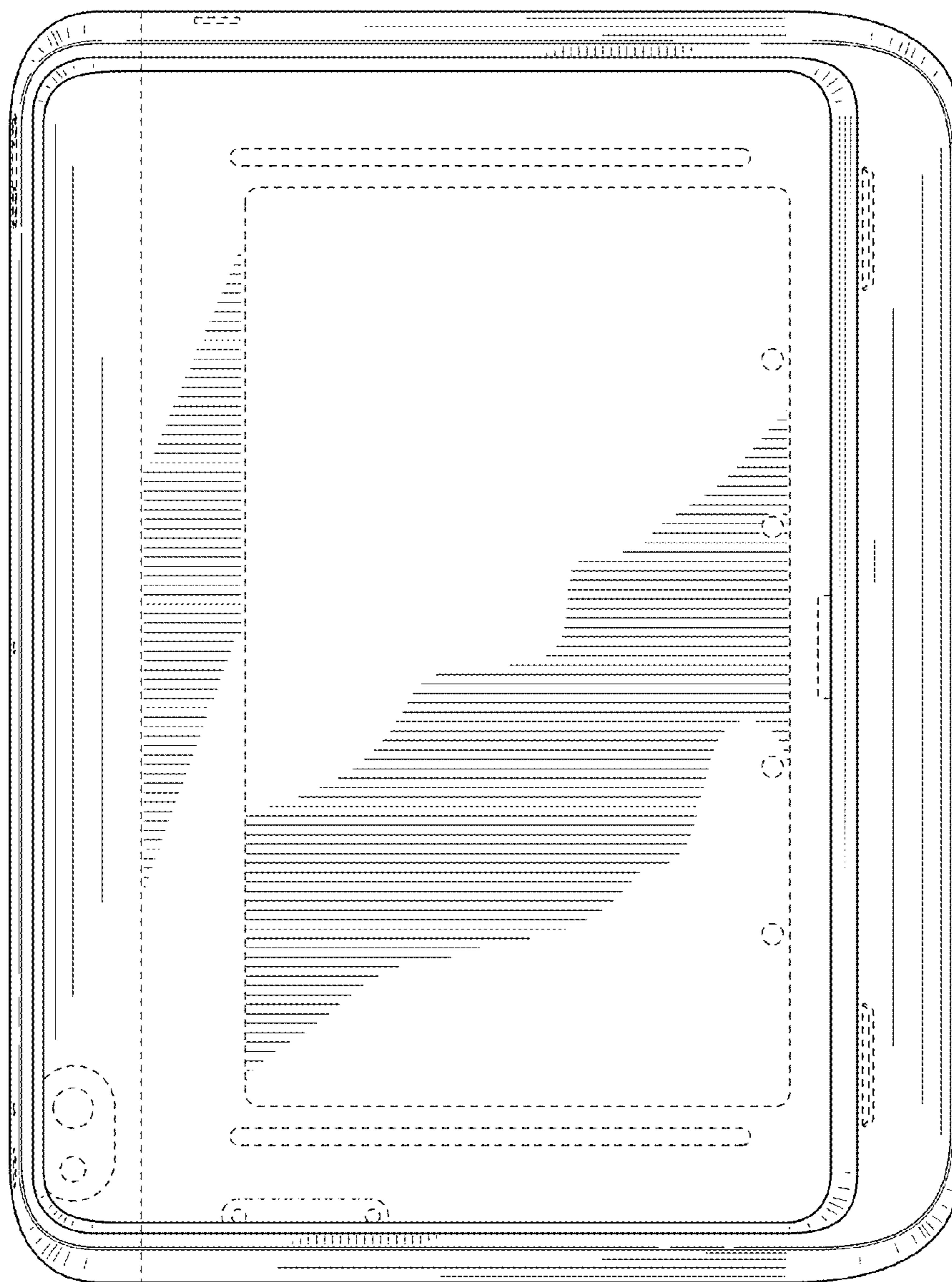


FIG. 3

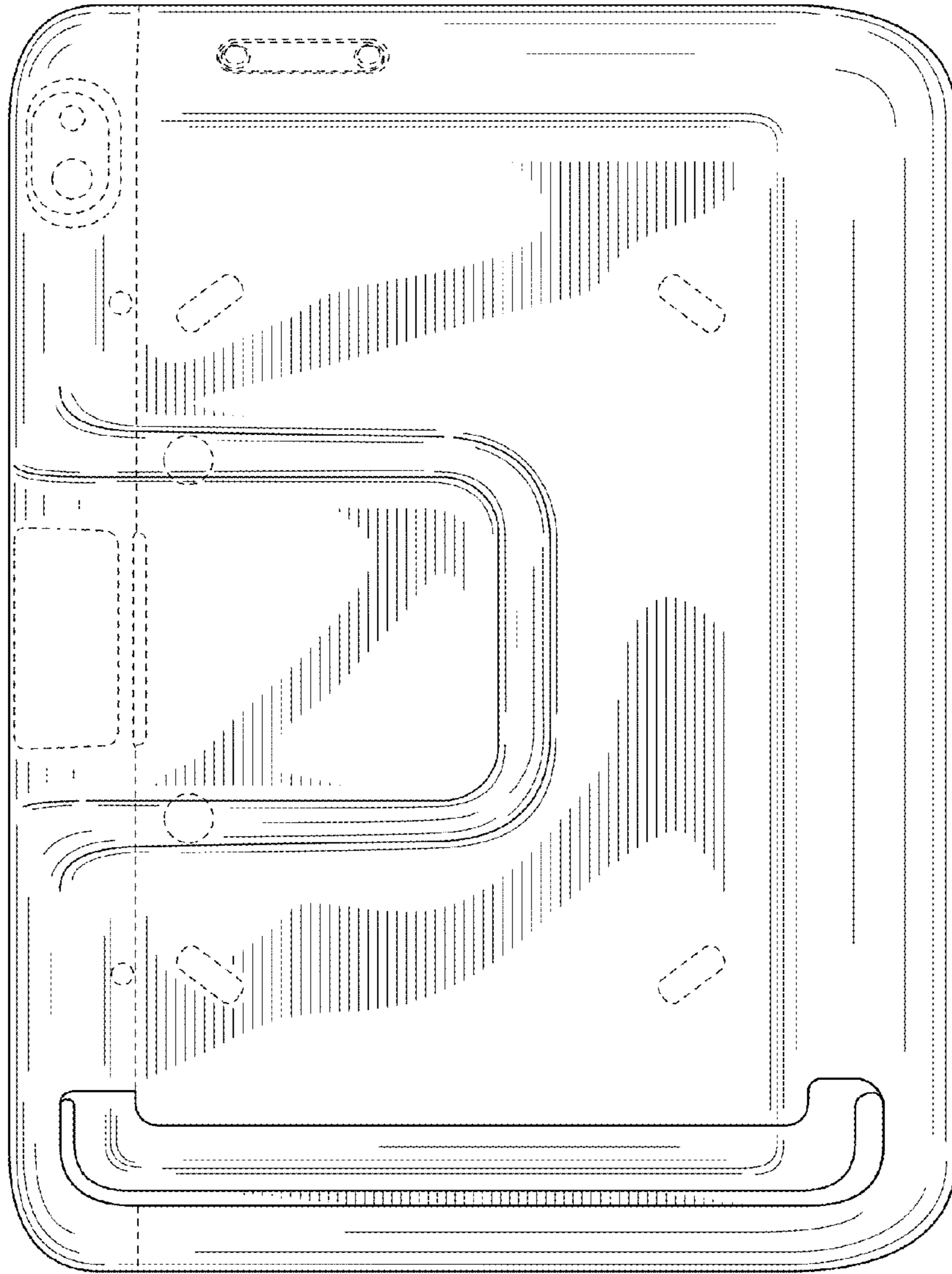


FIG. 4

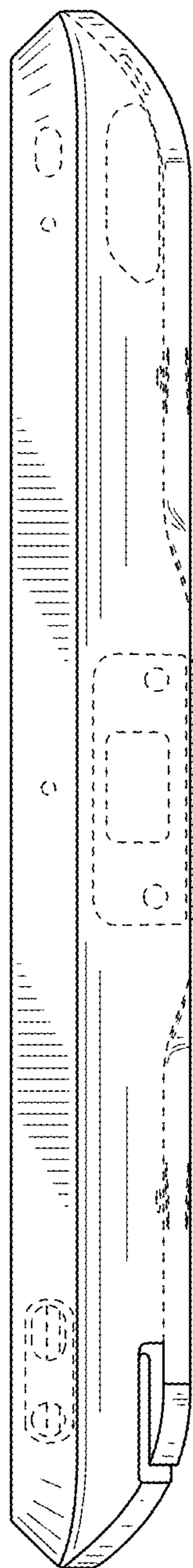


FIG. 5

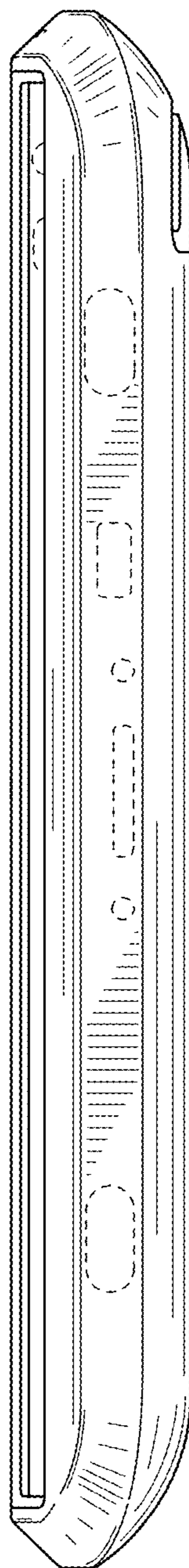


FIG. 6

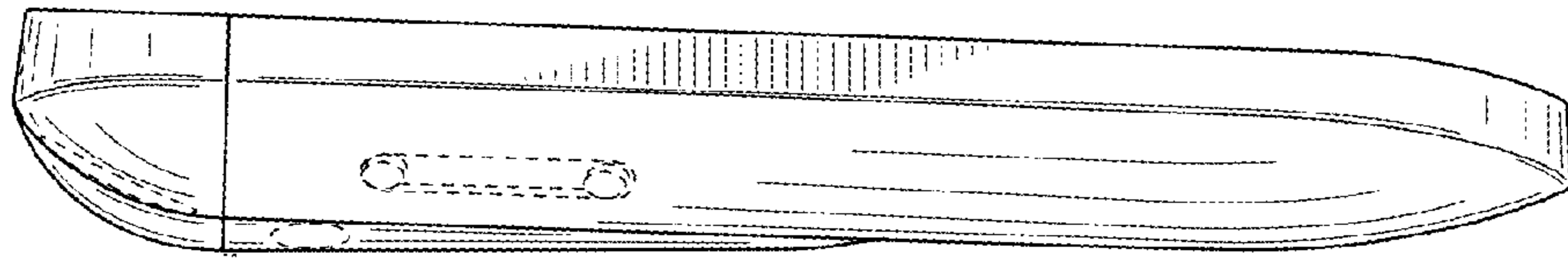


FIG. 7

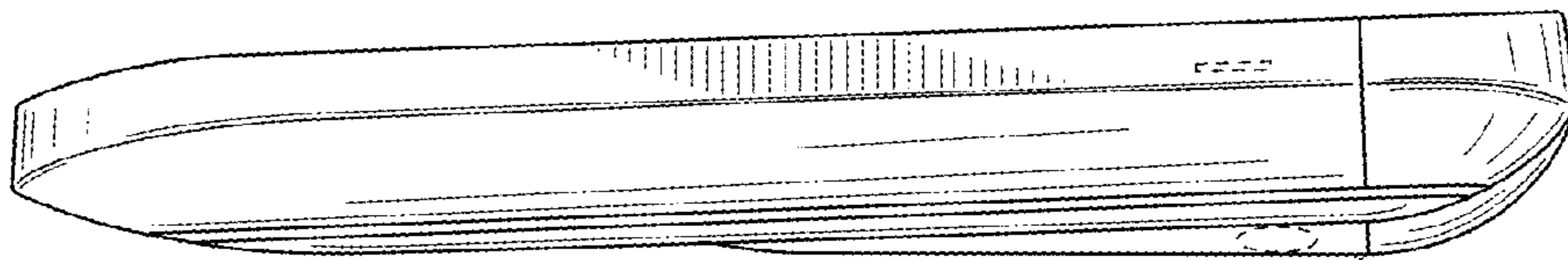


FIG. 8

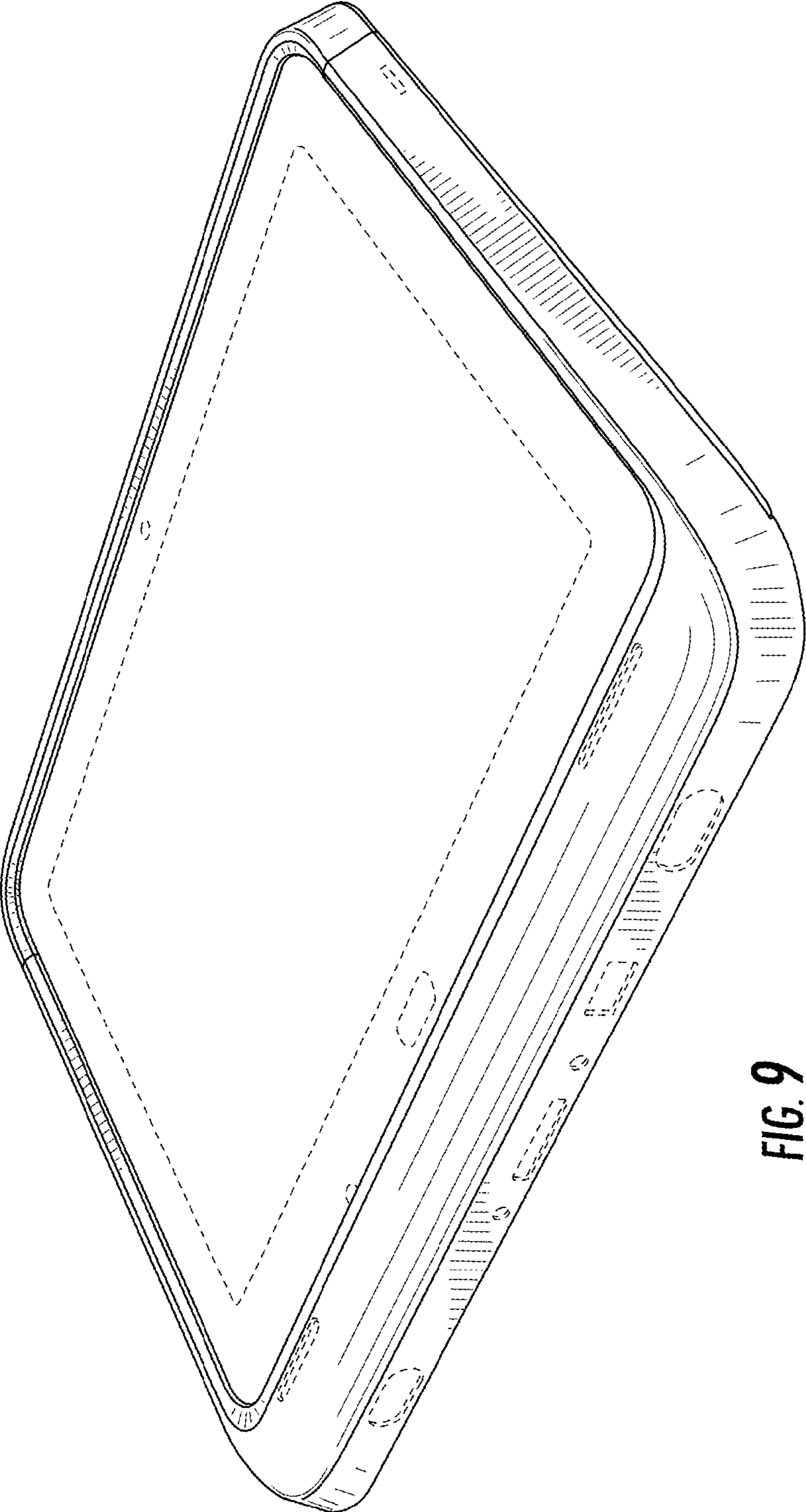


FIG. 9

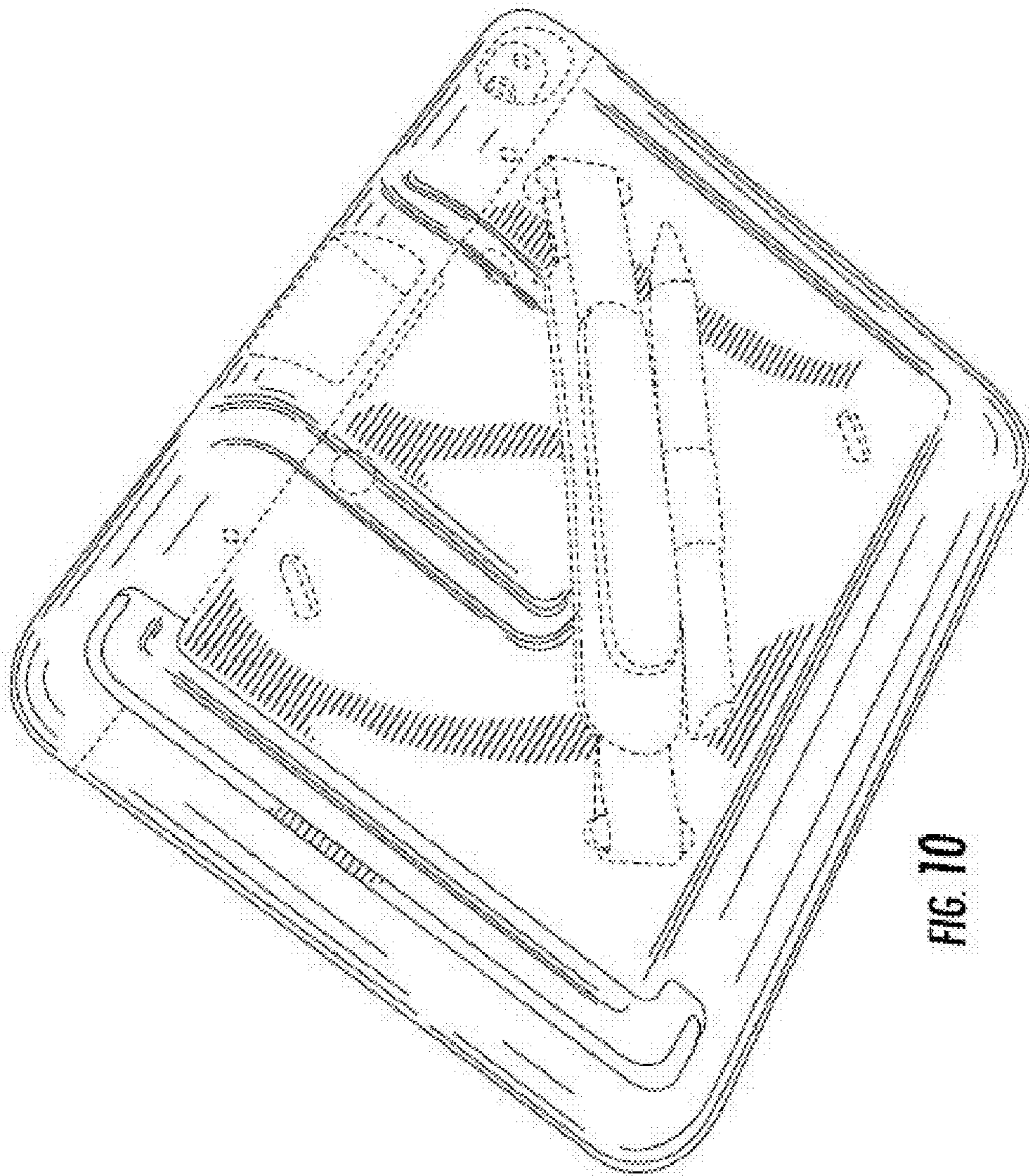


FIG. 10