



US00D737275S

(12) **United States Design Patent**
Dowd et al.

(10) **Patent No.:** **US D737,275 S**
(45) **Date of Patent:** **** Aug. 25, 2015**

(54) **STYLUS**

(71) Applicant: **Adobe Systems Incorporated**, San Jose, CA (US)

(72) Inventors: **Geoffrey Dowd**, San Francisco, CA (US); **Steve Sangik Lee**, Walnut Creek, CA (US)

(73) Assignee: **Adobe Systems Incorporated**, San Jose, CA (US)

(**) Term: **14 Years**

(21) Appl. No.: **29/467,046**

(22) Filed: **Sep. 13, 2013**

Related U.S. Application Data

(63) Continuation-in-part of application No. 29/453,913, filed on May 3, 2013, now Pat. No. Des. 697,916, and a continuation-in-part of application No. 13/856,070, filed on Apr. 3, 2013, and a continuation-in-part of

(Continued)

(51) **LOC (10) Cl.** **14-02**

(52) **U.S. Cl.**
USPC **D14/411**

(58) **Field of Classification Search**
USPC D8/61; D14/411; D19/35, 36, 41–51, D19/54–58; 401/55, 99, 100, 104–107, 196, 401/197, 202, 208, 209, 213, 192, 195, 401/243; 708/107; 345/179, 173; 178/19.01; 700/94

CPC G06F 3/016; G06F 3/033; G06F 3/0317; G06F 3/03545; G06F 3/041; G06K 9/222
See application file for complete search history.

(56) **References Cited**

U.S. PATENT DOCUMENTS

D294,263 S 2/1988 Rodgers et al.
D327,476 S 6/1992 Valls et al.

(Continued)

OTHER PUBLICATIONS

“U.S. Appl. No. 29/453,913, Notice of Allowance mailed Sep. 5, 2013”, 9 pgs.

Primary Examiner — Austin Murphy

(74) *Attorney, Agent, or Firm* — Shook, Hardy & Bacon LLP

(57)

CLAIM

The ornamental design for a stylus, as shown and described.

DESCRIPTION

FIGS. 1 and 2 are perspective views of a stylus, showing our new design, according to a first embodiment thereof.

FIG. 3 is a first side view of the stylus, according to the first embodiment.

FIG. 4 is a second side view of the stylus, according to the first embodiment.

FIG. 5 is a third side view of the stylus, according to the first embodiment.

FIG. 6 is a top plan view of an end of the stylus, according to the first embodiment.

FIG. 7 is a bottom plan view of the other end of the stylus, according to the first embodiment.

FIG. 8 is a perspective view of the stylus, according to the first embodiment.

FIGS. 9 and 10 are perspective views of the stylus, showing our new design, according to a second embodiment thereof.

FIG. 11 is a first side view of the stylus, according to the second embodiment.

FIG. 12 is a second side view of the stylus, according to the second embodiment.

FIG. 13 is a third side view of the stylus, according to the second embodiment.

FIG. 14 is a top plan view of an end of the stylus, according to the second embodiment.

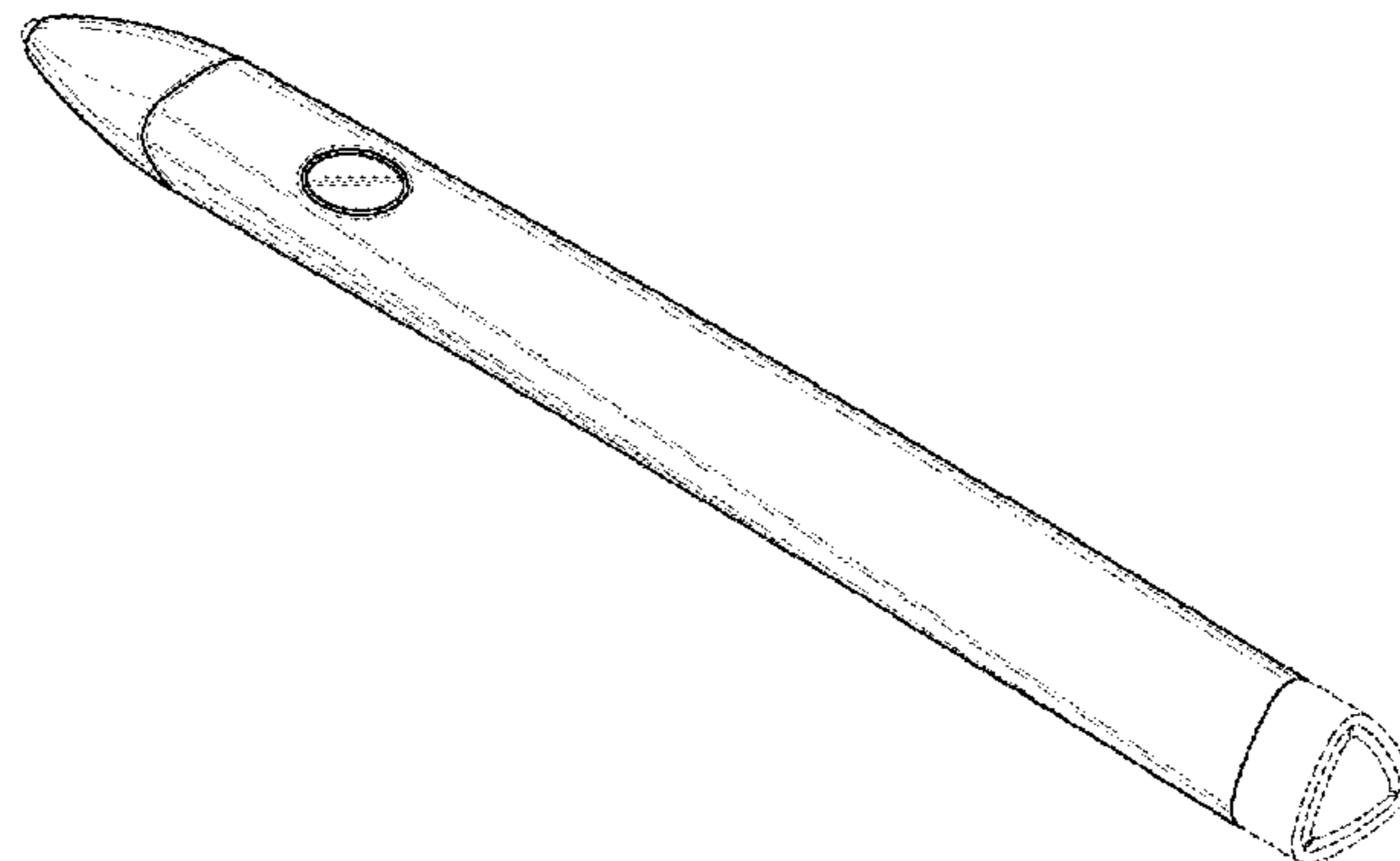
FIG. 15 is a bottom plan view of the other end of the stylus, according to the second embodiment; and,

FIG. 16 is a perspective view of the stylus, according to the second embodiment.

Subject matter shown in broken lines is environmental and forms no part of the claimed embodiments in which the broken lines appear. However, Applicants reserve the right to claim any combination or subset of subject matter, whether shown in broken lines or solid lines, in this application or in one or more divisional applications thereof.

All shade lines show contour and not surface ornamentation.

1 Claim, 14 Drawing Sheets



Related U.S. Application Data

application No. 13/841,089, filed on Mar. 15, 2013, and a continuation-in-part of application No. 13/840,746, filed on Mar. 15, 2013, which is a continuation-in-part of application No. 13/835,959, filed on Mar. 15, 2013.

(56)

References Cited

U.S. PATENT DOCUMENTS

D342,652 S * 12/1993 Wensley et al. D8/5
 D419,043 S * 1/2000 Staton D8/5
 D419,541 S 1/2000 Kawashima
 D433,888 S * 11/2000 Choi D8/5
 D457,402 S * 5/2002 Heck et al. D8/5

D472,924 S 4/2003 Pan
 D522,579 S 6/2006 Sim
 D523,709 S * 6/2006 Knox D8/5
 D537,309 S * 2/2007 Wang D8/52
 D547,141 S * 7/2007 Shan D8/5
 D557,086 S * 12/2007 Lipscomb et al. D8/5
 D585,489 S 1/2009 Han
 D615,588 S 5/2010 Hillemann
 D615,589 S 5/2010 Hillemann
 D628,031 S * 11/2010 Stokes et al. D8/5
 D628,032 S * 11/2010 Stokes et al. D8/5
 D630,067 S * 1/2011 Block et al. D8/5
 D640,106 S * 6/2011 Molina et al. D8/57
 D641,755 S 7/2011 Rashid et al.
 D642,032 S * 7/2011 Molina et al. D8/57
 D642,035 S * 7/2011 Molina et al. D8/57
 D681,038 S 4/2013 Tomohiro

* cited by examiner

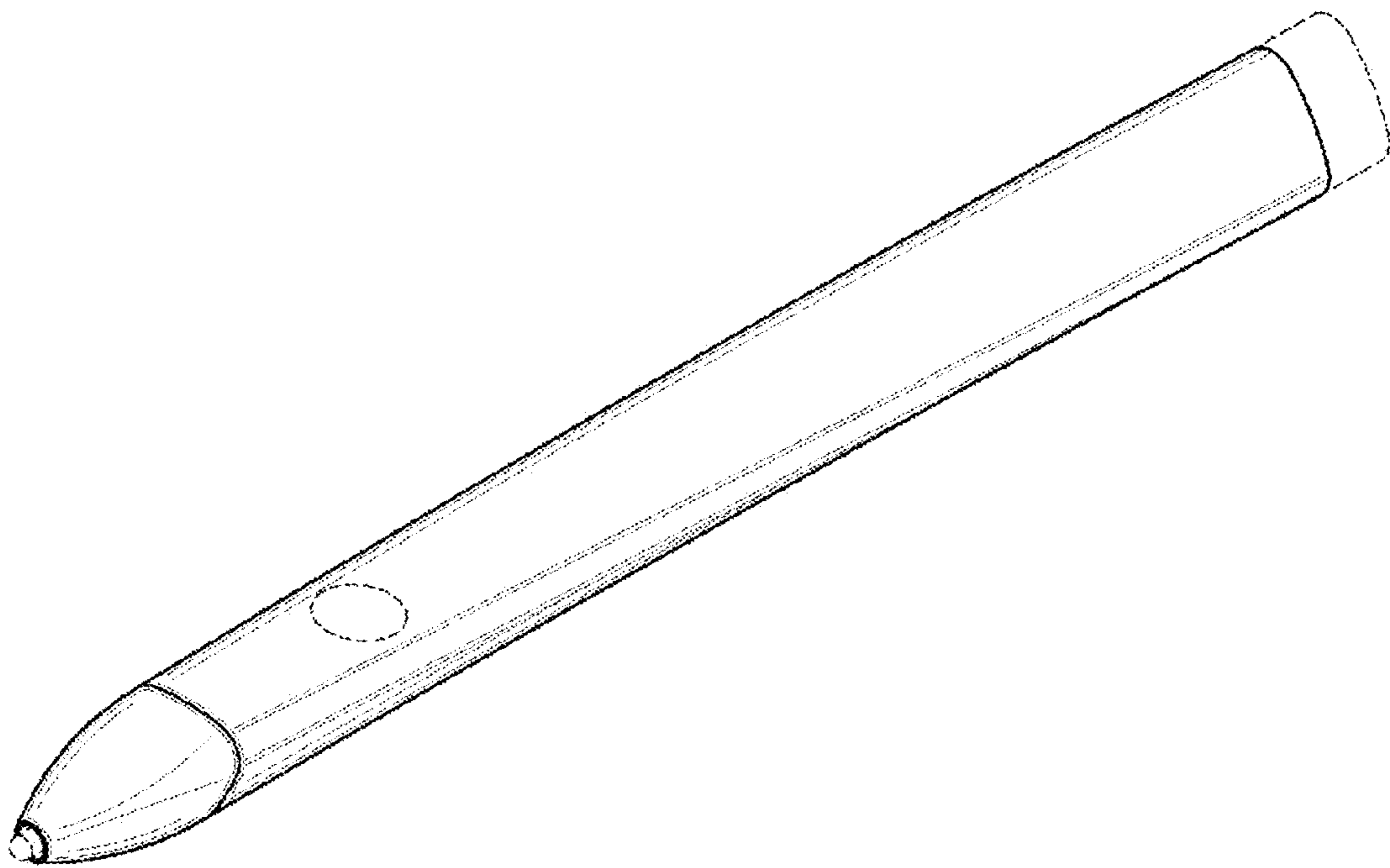


FIG. 1

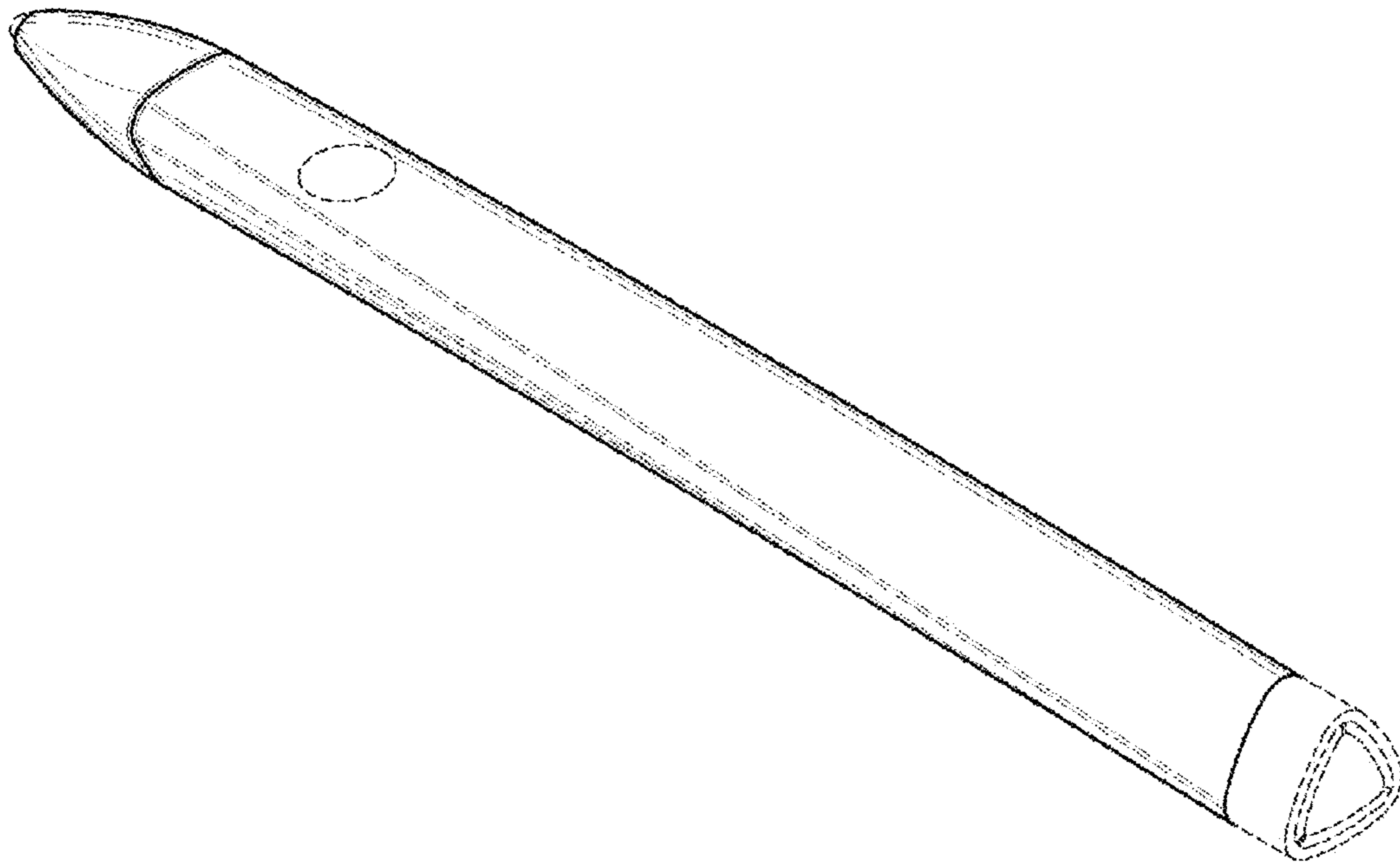


FIG. 2

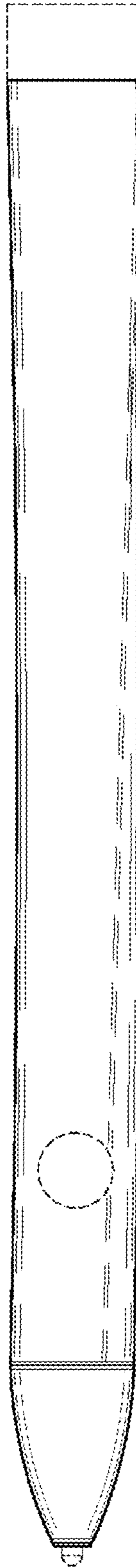


FIG. 3

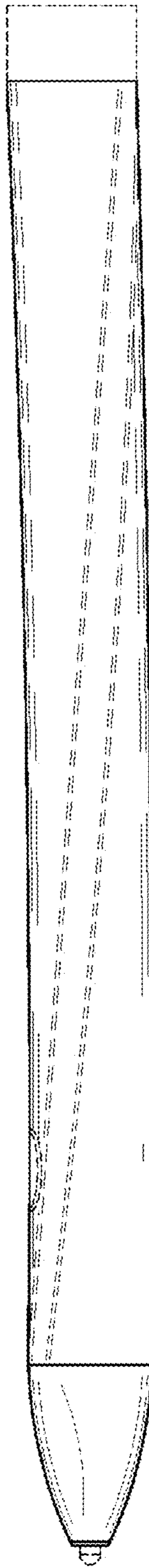


FIG. 4

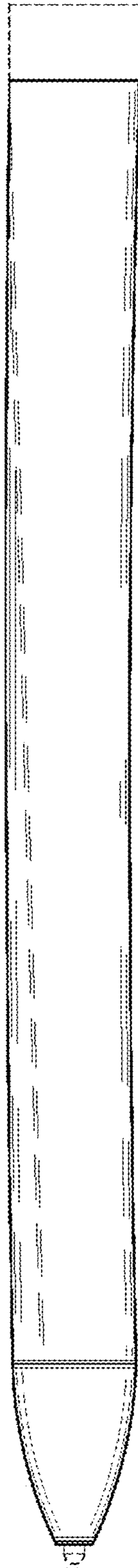


FIG. 5

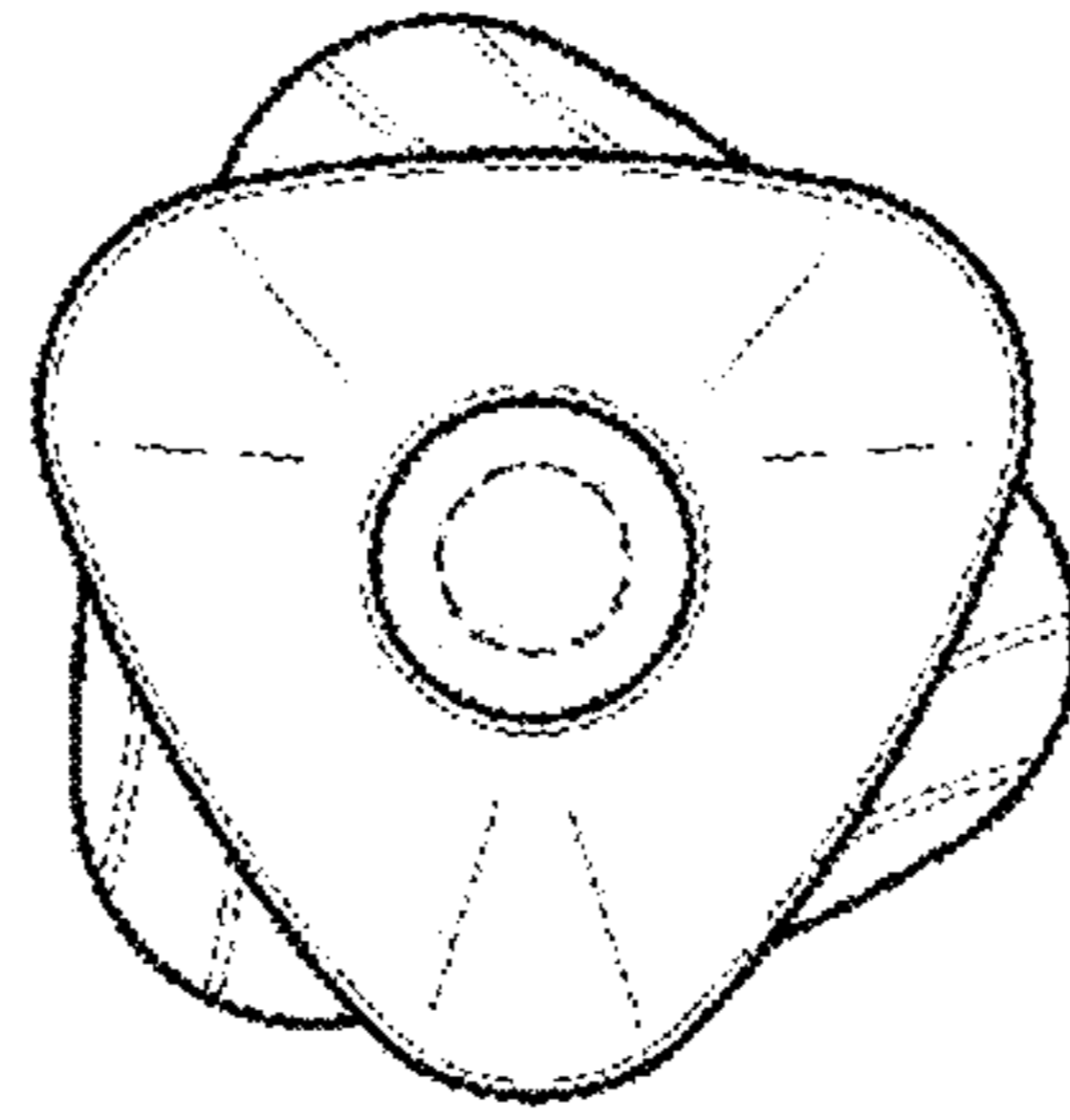


FIG. 6

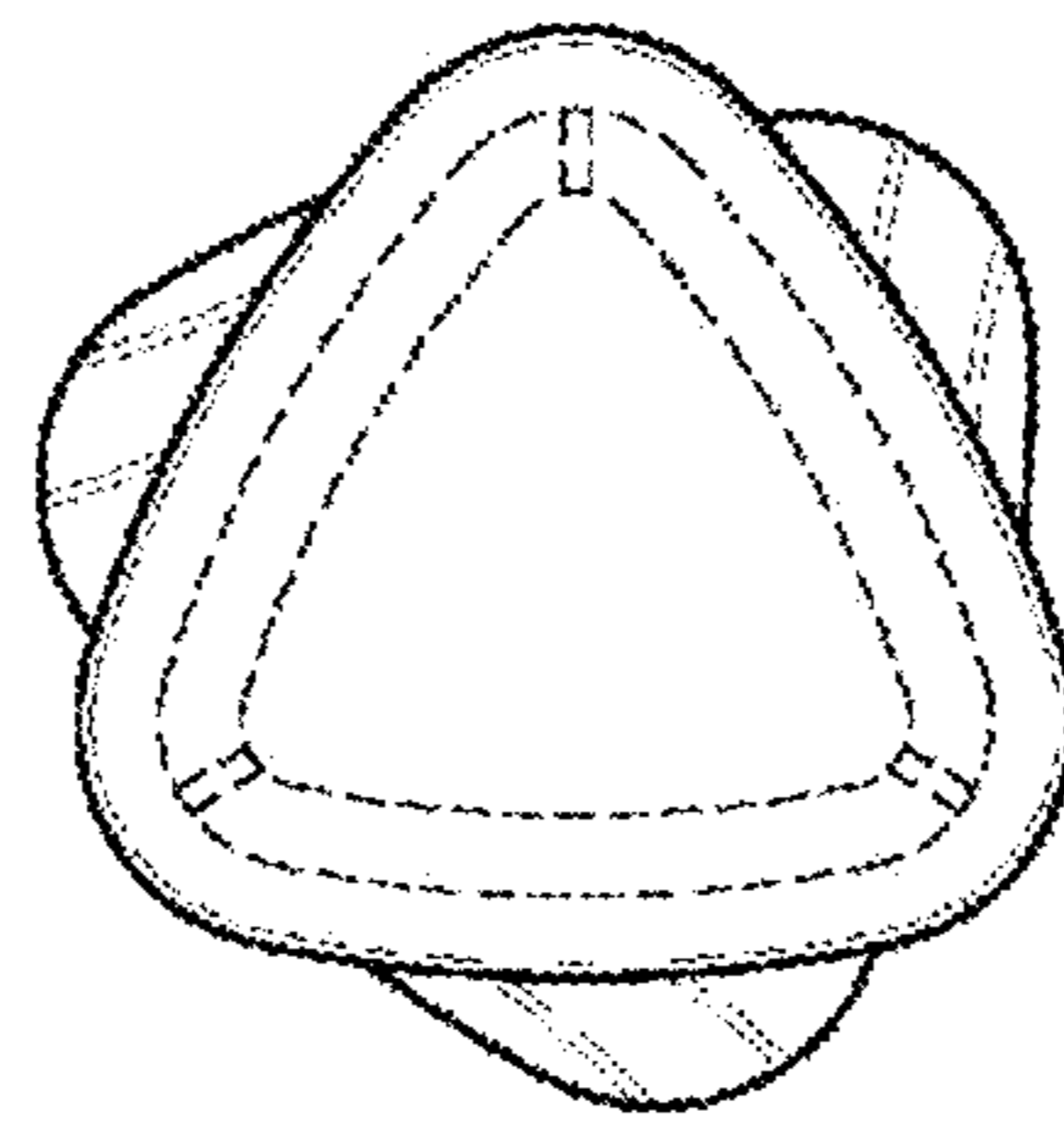


FIG. 7

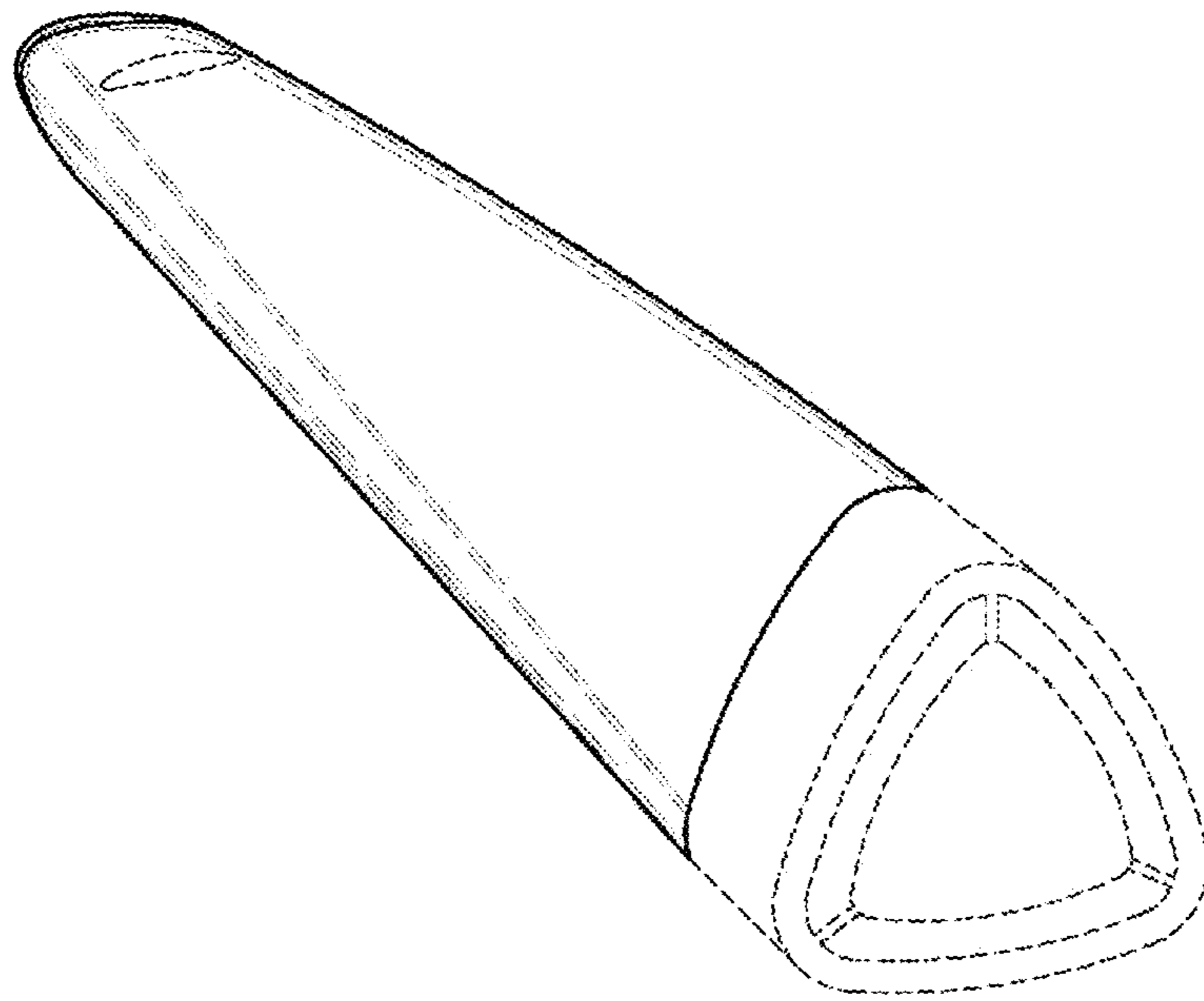


FIG. 8

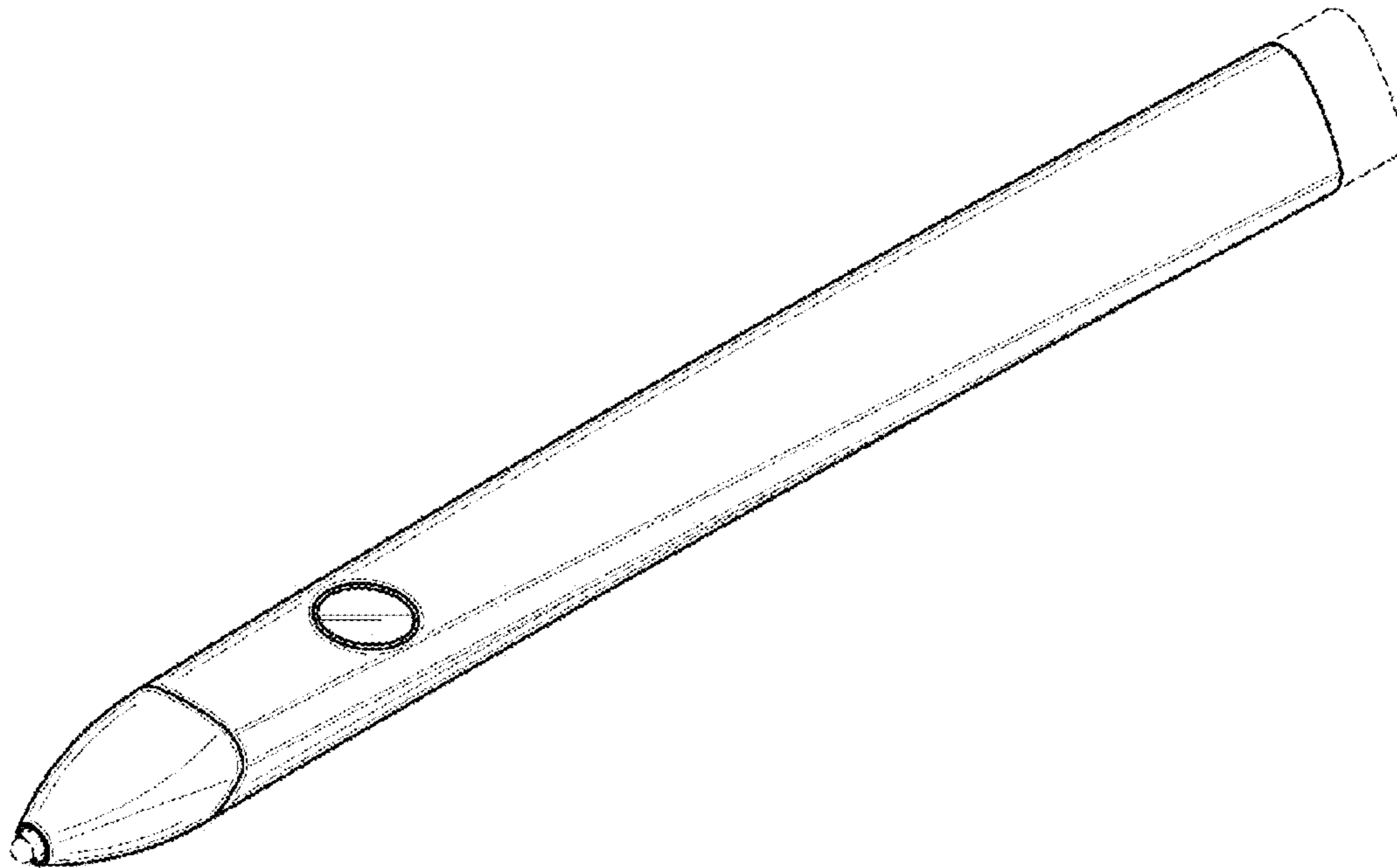


FIG. 9

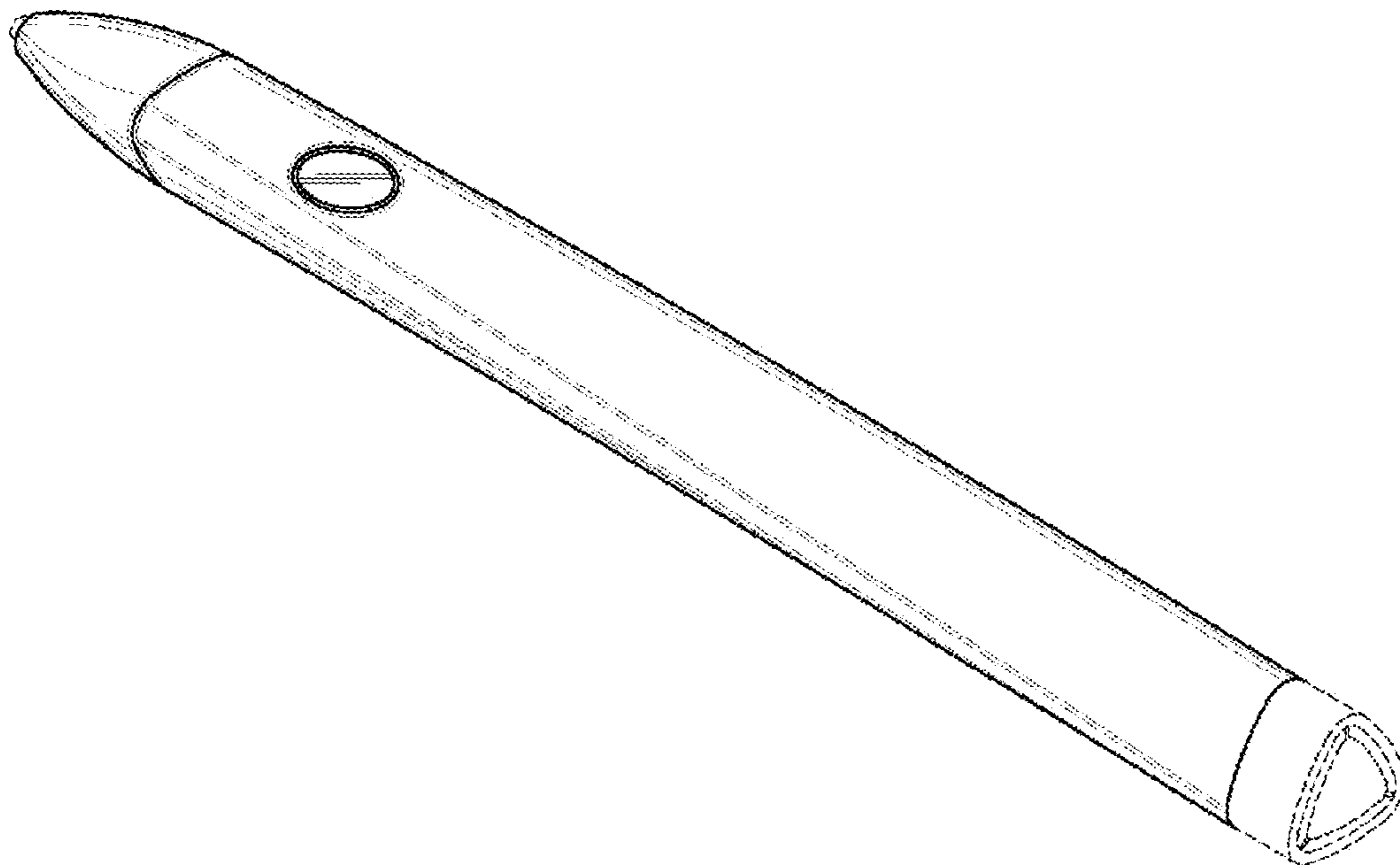


FIG. 10

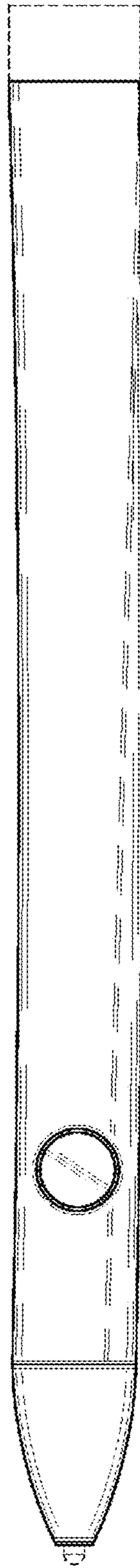


FIG. 11

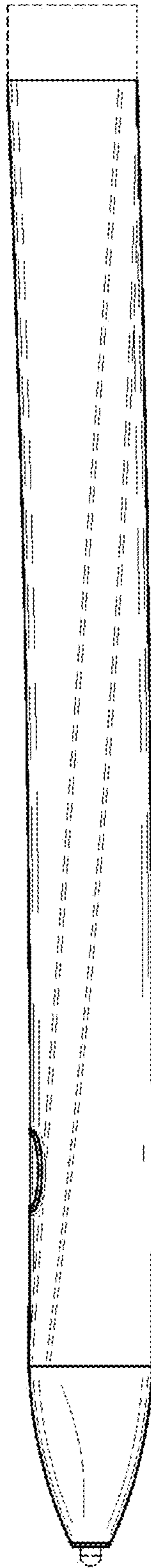


FIG. 12

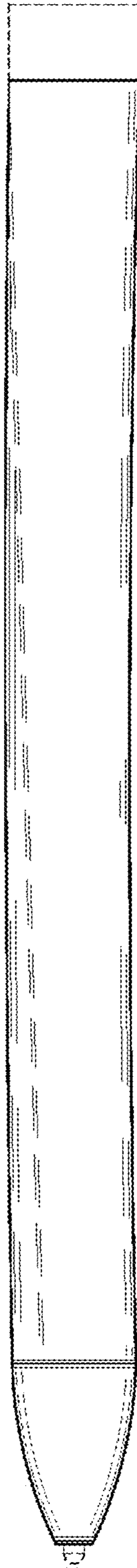


FIG. 13

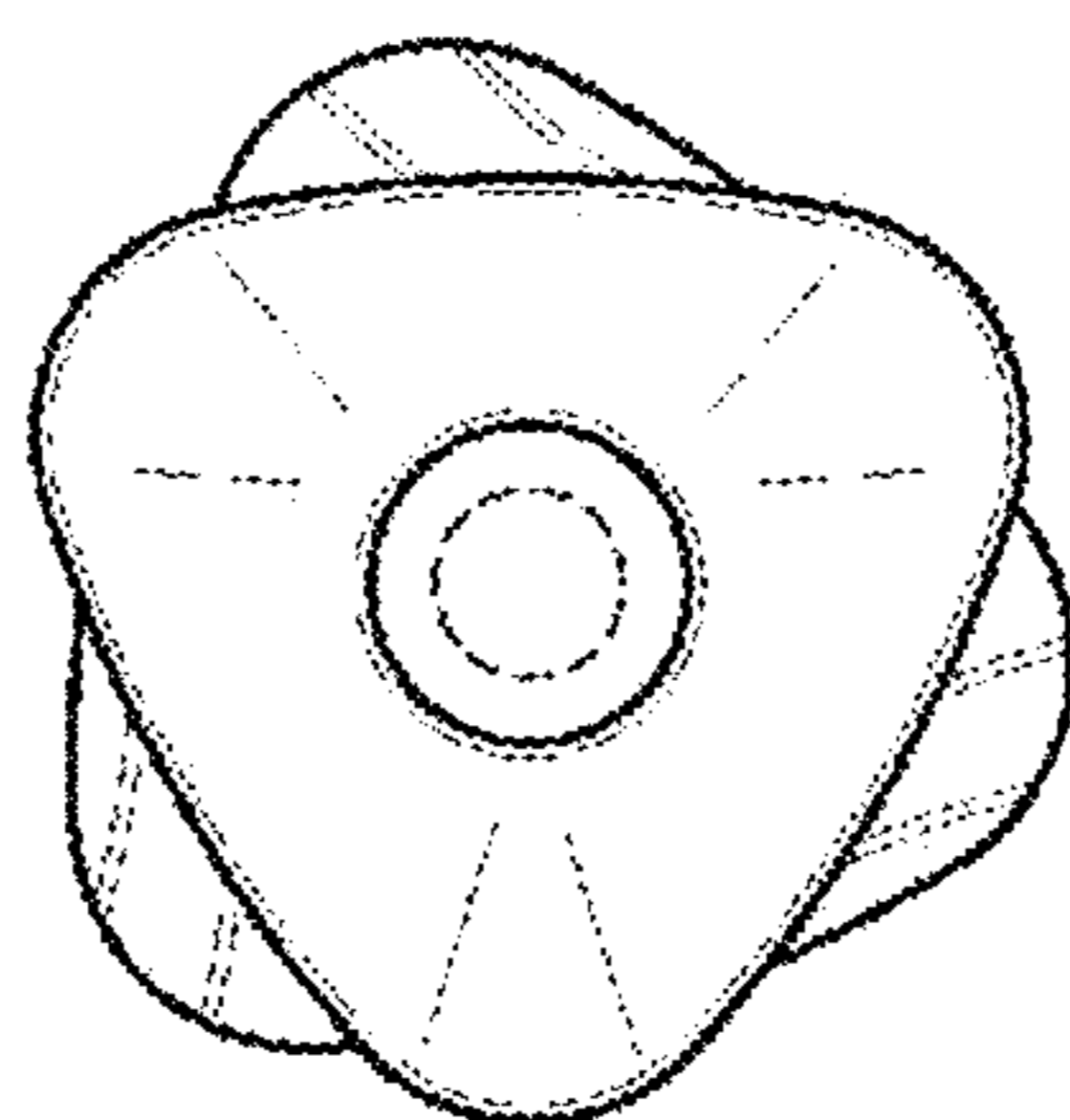


FIG. 14

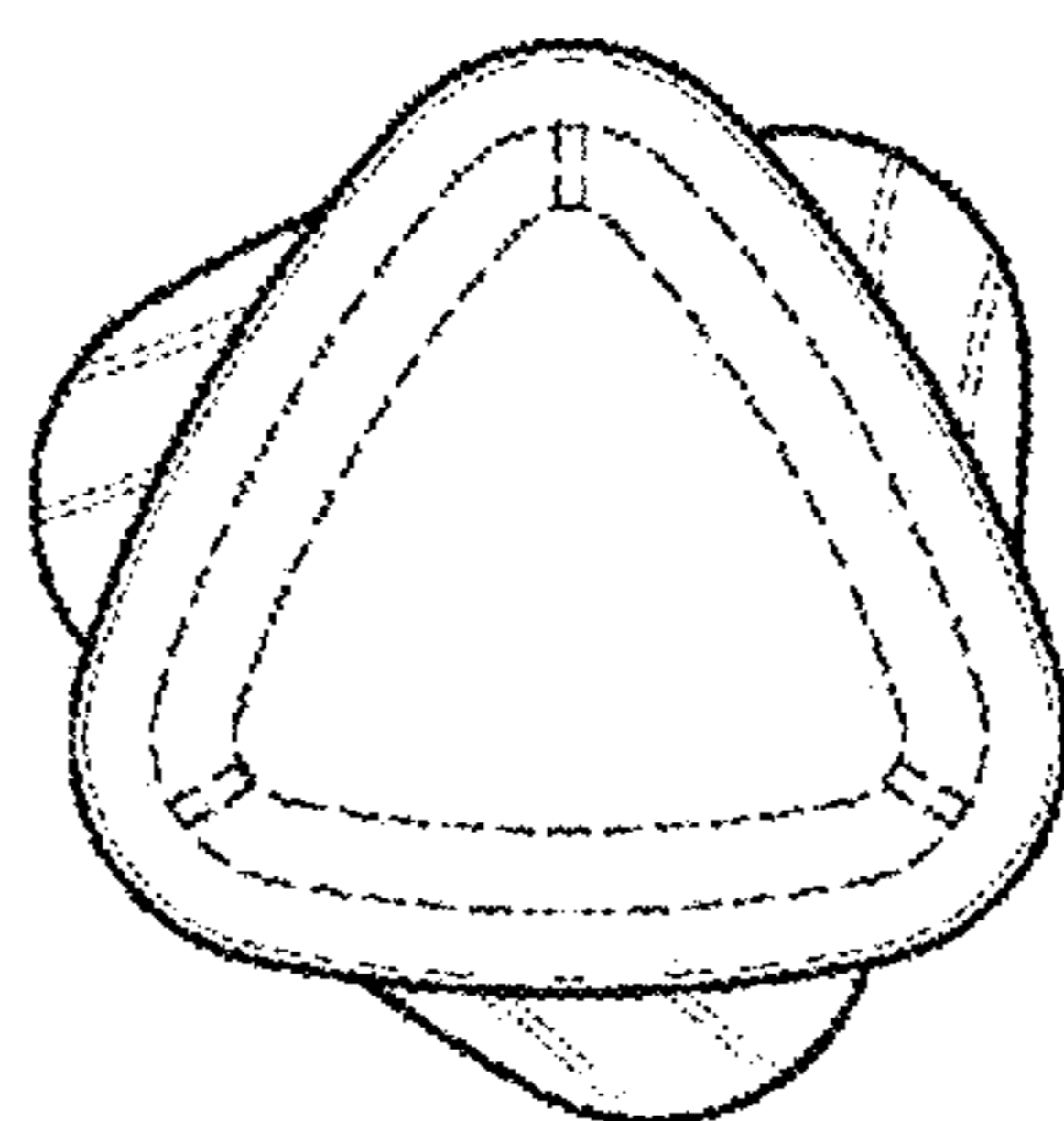


FIG. 15

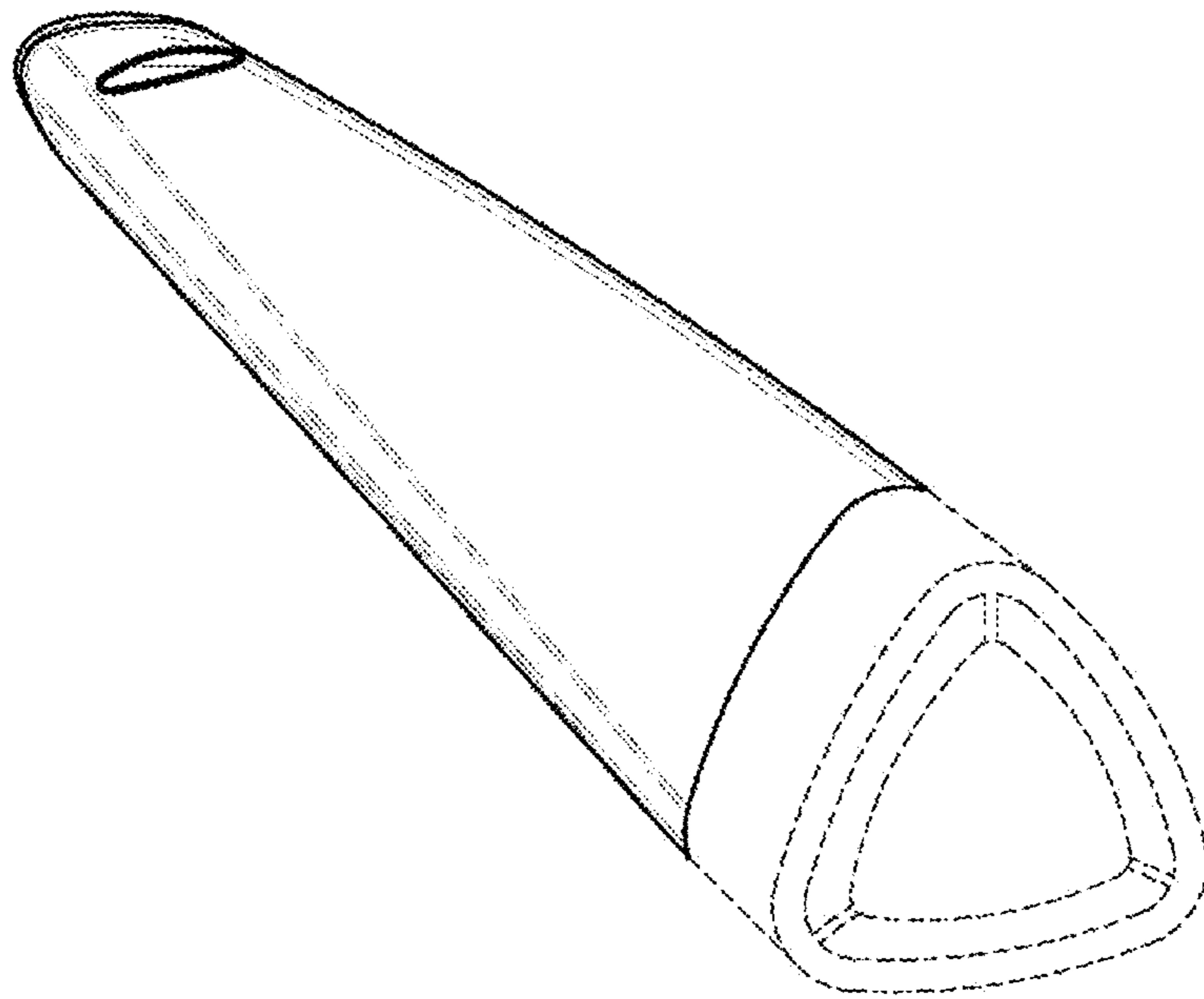


FIG. 16