

US00D737274S

(12) **United States Design Patent**
Kuo et al.

(10) **Patent No.:** **US D737,274 S**
(45) **Date of Patent:** **** Aug. 25, 2015**

(54) **MOUSE HAVING PAPER MOLDED HOUSING**

(71) Applicant: **GOLDEN ARROW PRINTING CO., LTD.**, New Taipei (TW)

(72) Inventors: **Chien-Kuan Kuo**, New Taipei (TW);
Chun-Huang Huang, New Taipei (TW)

(73) Assignee: **GOLDEN ARROW PRINTING CO., LTD.**, New Taipei (TW)

(**) Term: **14 Years**

(21) Appl. No.: **29/519,174**

(22) Filed: **Mar. 3, 2015**

(51) **LOC (10) Cl.** **14-02**

(52) **U.S. Cl.**
USPC **D14/408**

(58) **Field of Classification Search**
USPC D14/402-411, 356, 388, 389, 383-385,
D14/417, 426; 345/156-167; 463/36-38;
358/471, 473; 273/148 B
CPC G06F 3/03543; G06F 2203/0333;
G06F 3/039; G06F 3/038; G06F 2203/0384
See application file for complete search history.

(56) **References Cited**

U.S. PATENT DOCUMENTS

D483,765 S * 12/2003 Ma et al. D14/408
D513,258 S * 12/2005 Huang D14/408

D549,228 S * 8/2007 Yamagishi D14/408
D624,917 S * 10/2010 Andre et al. D14/408
D629,804 S * 12/2010 Hoehn et al. D14/408
D651,604 S * 1/2012 Fischer D14/408
D667,408 S * 9/2012 Lim et al. D14/408
D676,849 S * 2/2013 Kujawski et al. D14/408
D688,244 S * 8/2013 Widiaman D14/408
D689,494 S * 9/2013 Widiaman et al. D14/408
D724,590 S * 3/2015 Hwang D14/408
D725,111 S * 3/2015 Jeong et al. D14/408
D729,246 S * 5/2015 Andre et al. D14/408

* cited by examiner

Primary Examiner — Austin Murphy

(74) *Attorney, Agent, or Firm* — Chun-Ming Shih; HDLS IPR Services

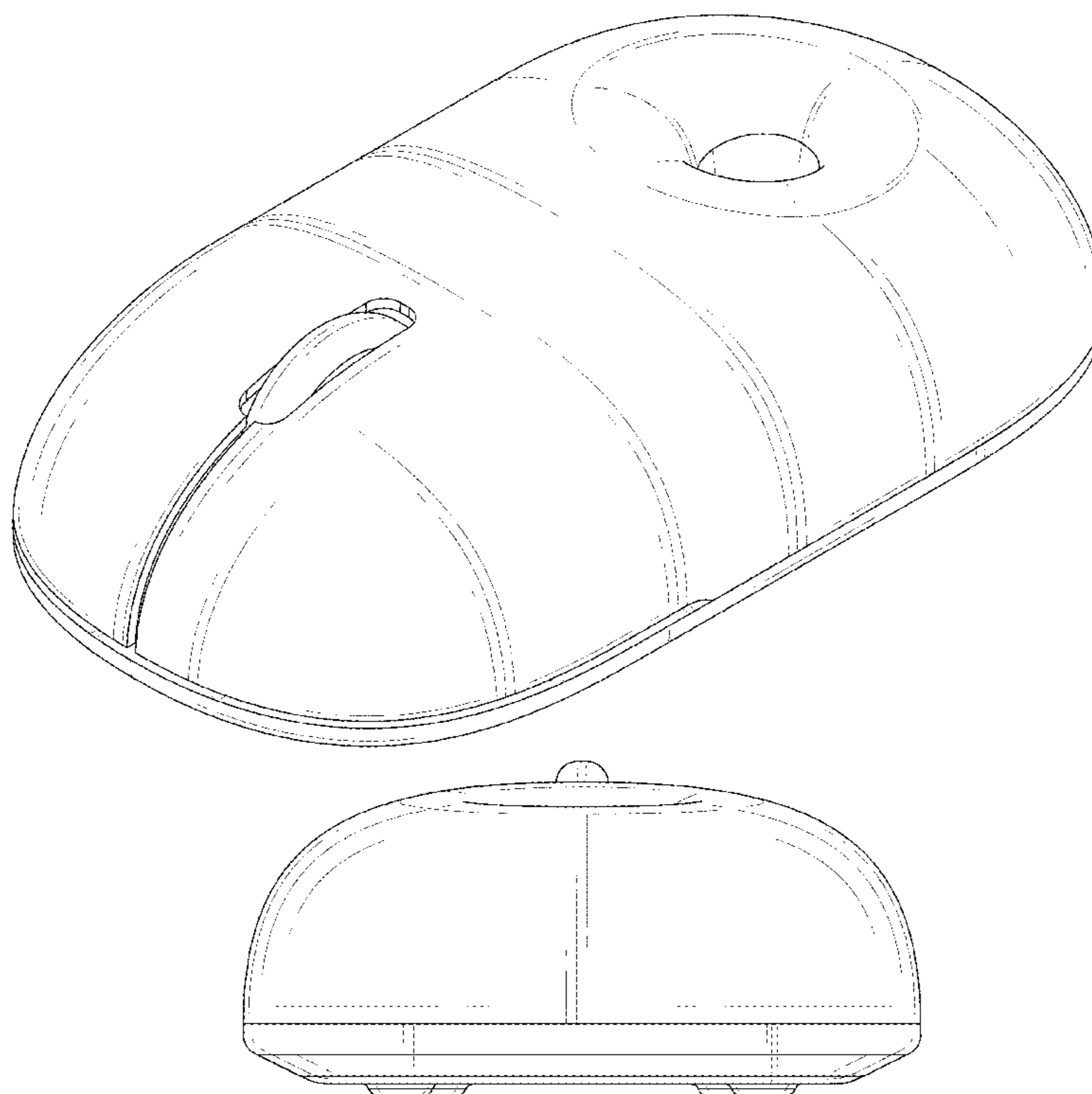
(57) **CLAIM**

The ornamental design for a mouse having paper molded housing, as shown and described.

DESCRIPTION

FIG. 1 is a perspective view of a mouse having paper molded housing showing our new design;
FIG. 2 is a front view thereof;
FIG. 3 is a rear view thereof;
FIG. 4 is a left side view thereof;
FIG. 5 is a right side view thereof;
FIG. 6 is a top view thereof;
FIG. 7 is a bottom view thereof; and,
FIG. 8 is the other perspective view showing the mouse having paper molded housing.

1 Claim, 8 Drawing Sheets



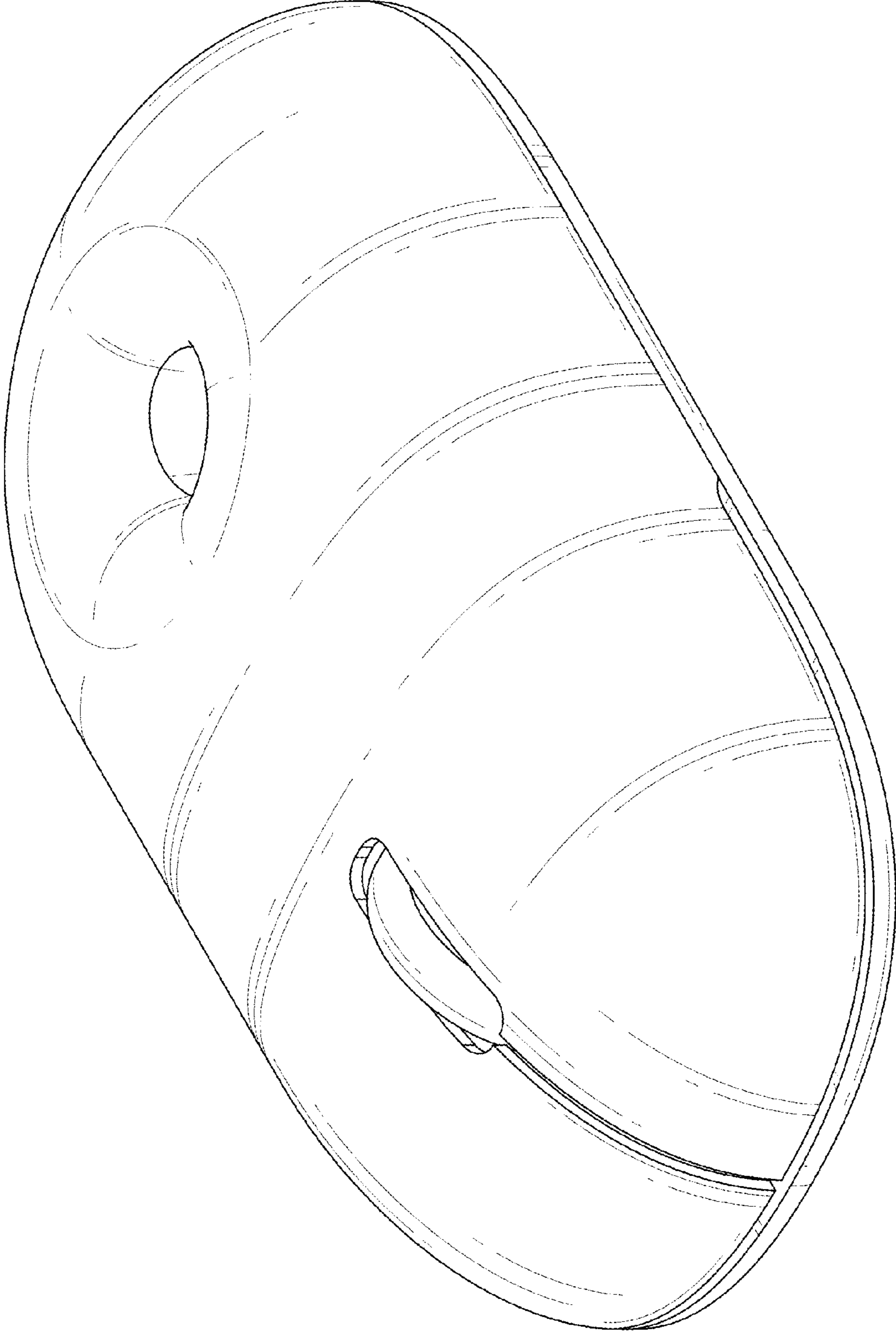


FIG.1

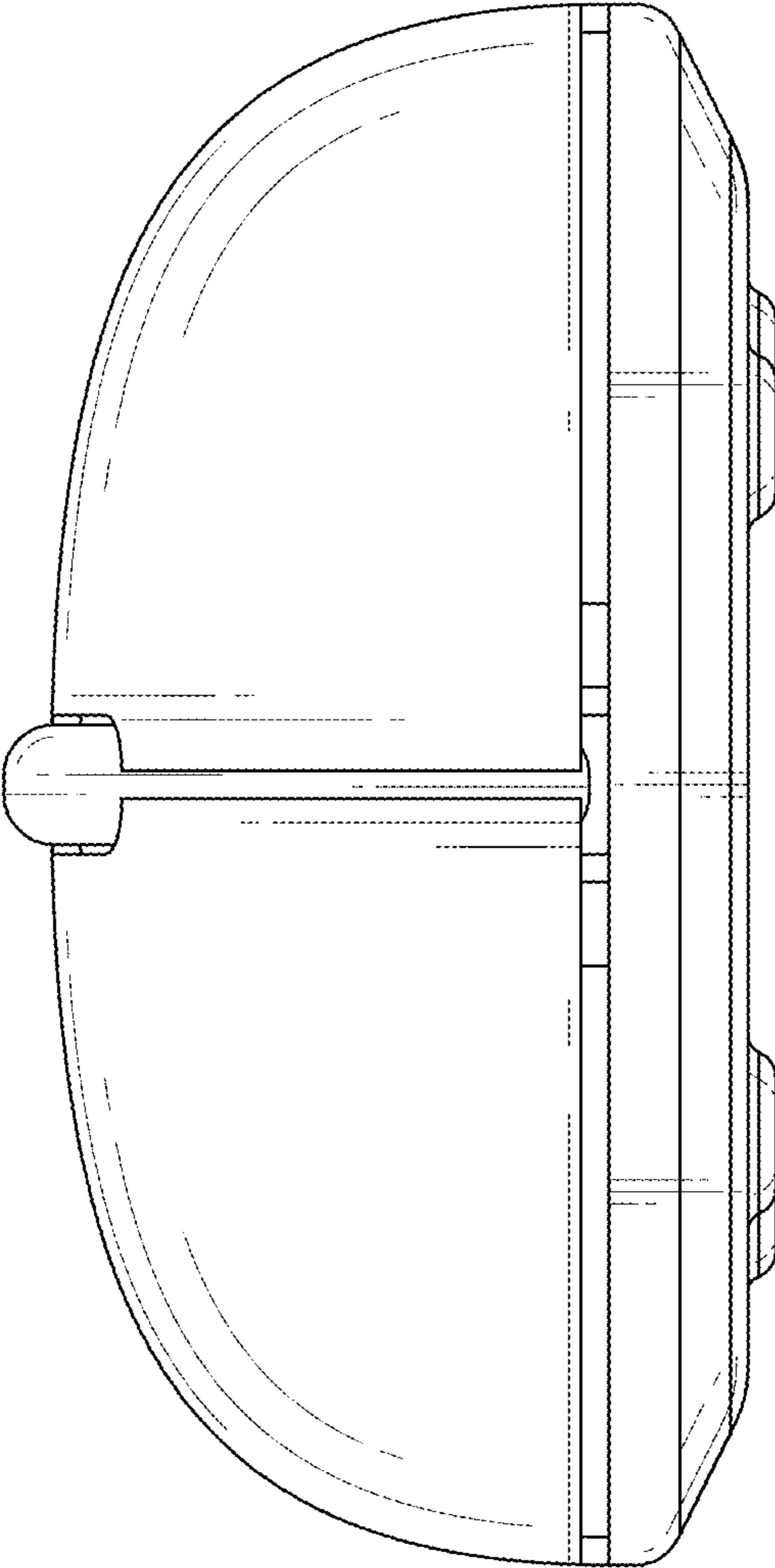


FIG.2

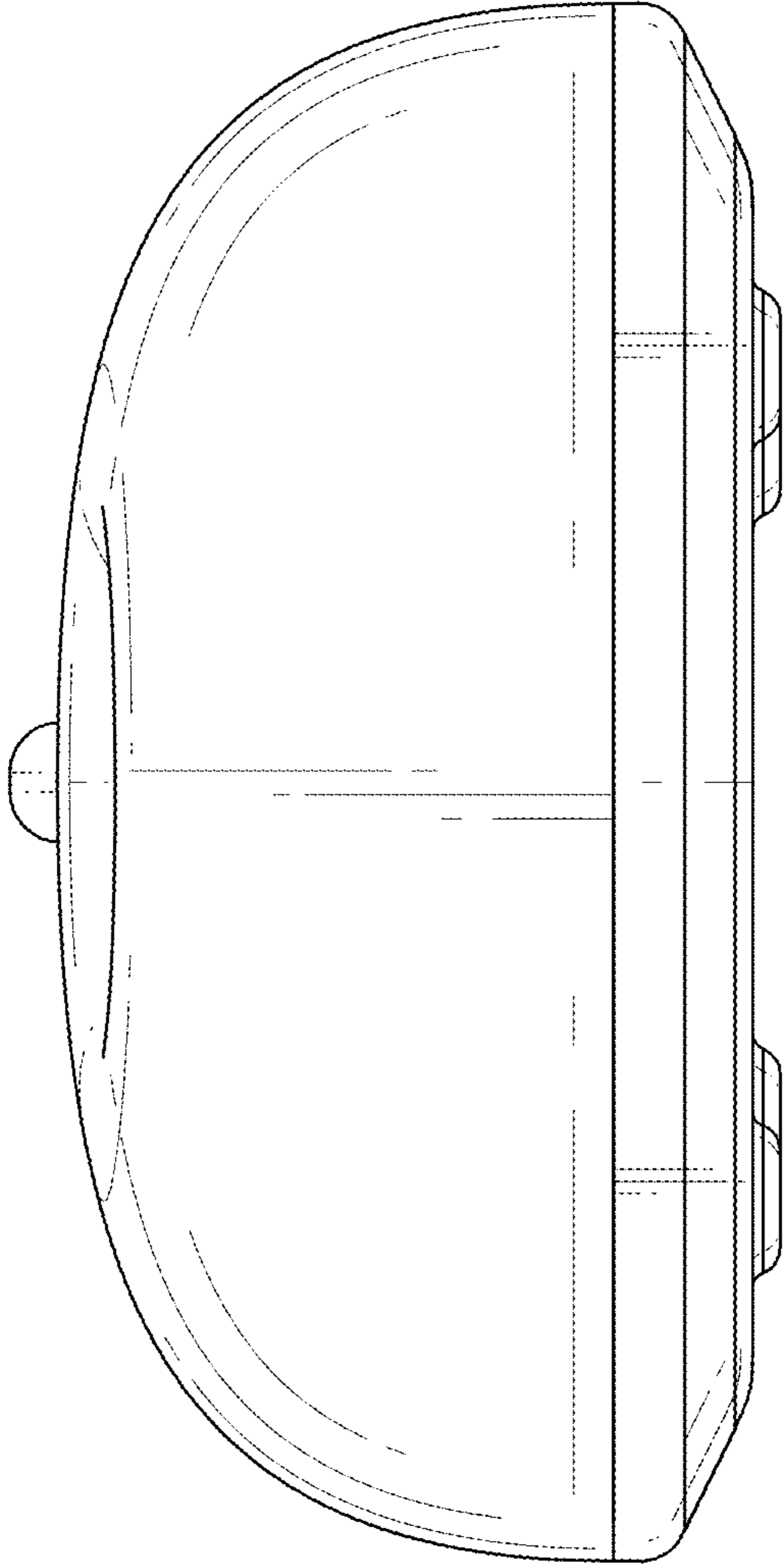


FIG.3

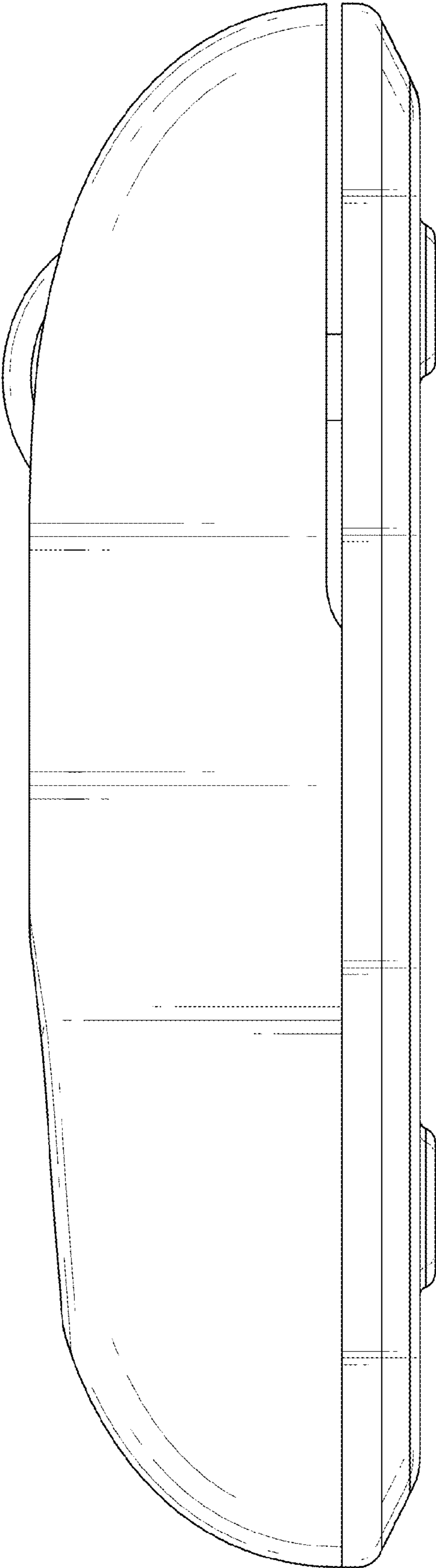


FIG.4

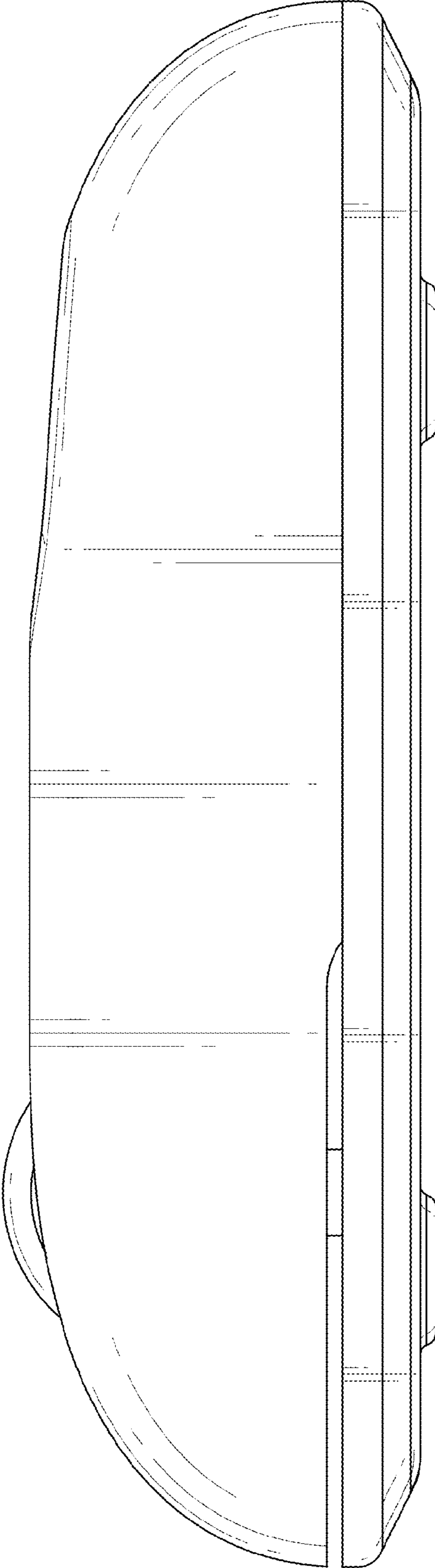


FIG.5

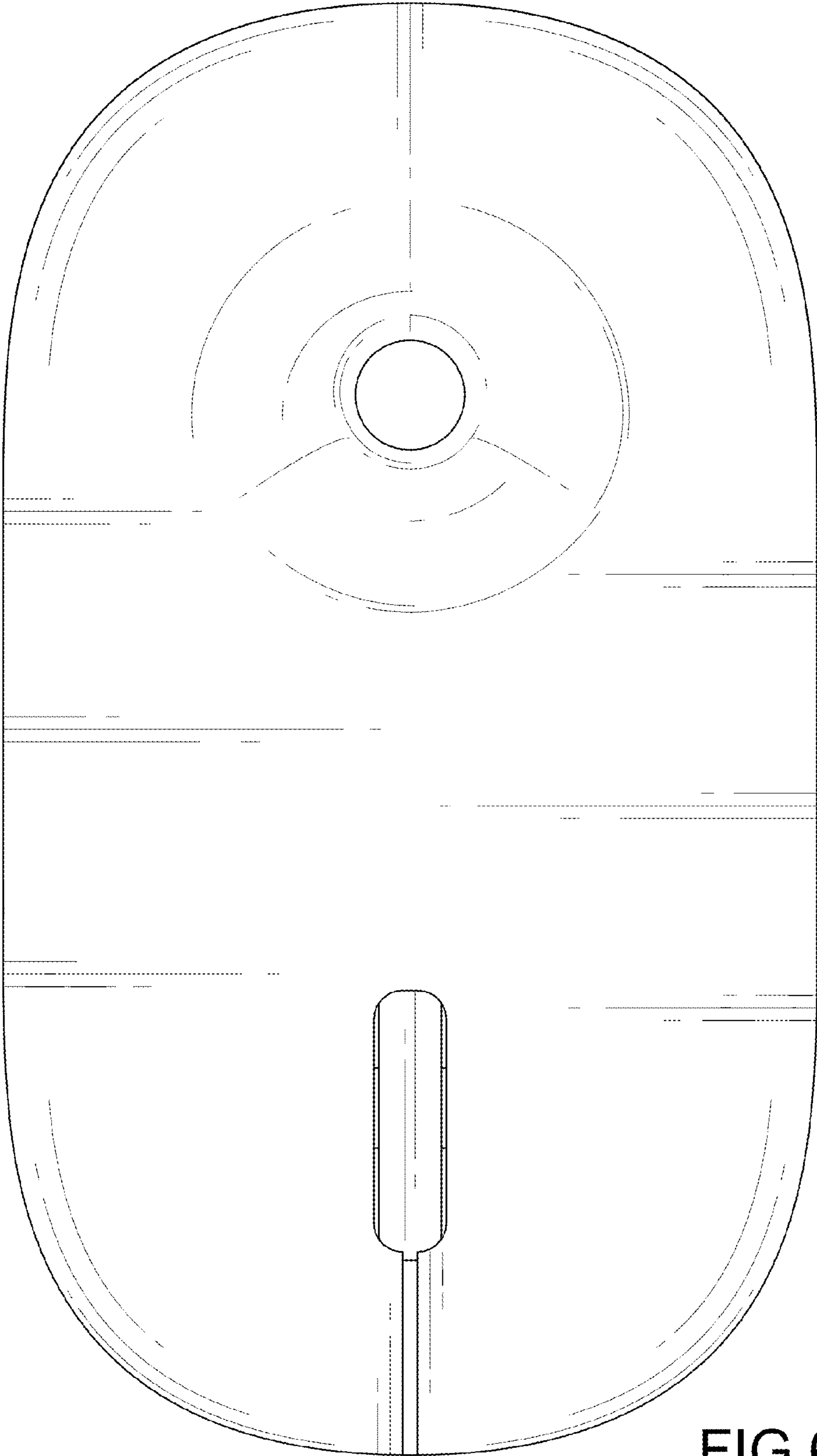


FIG. 6

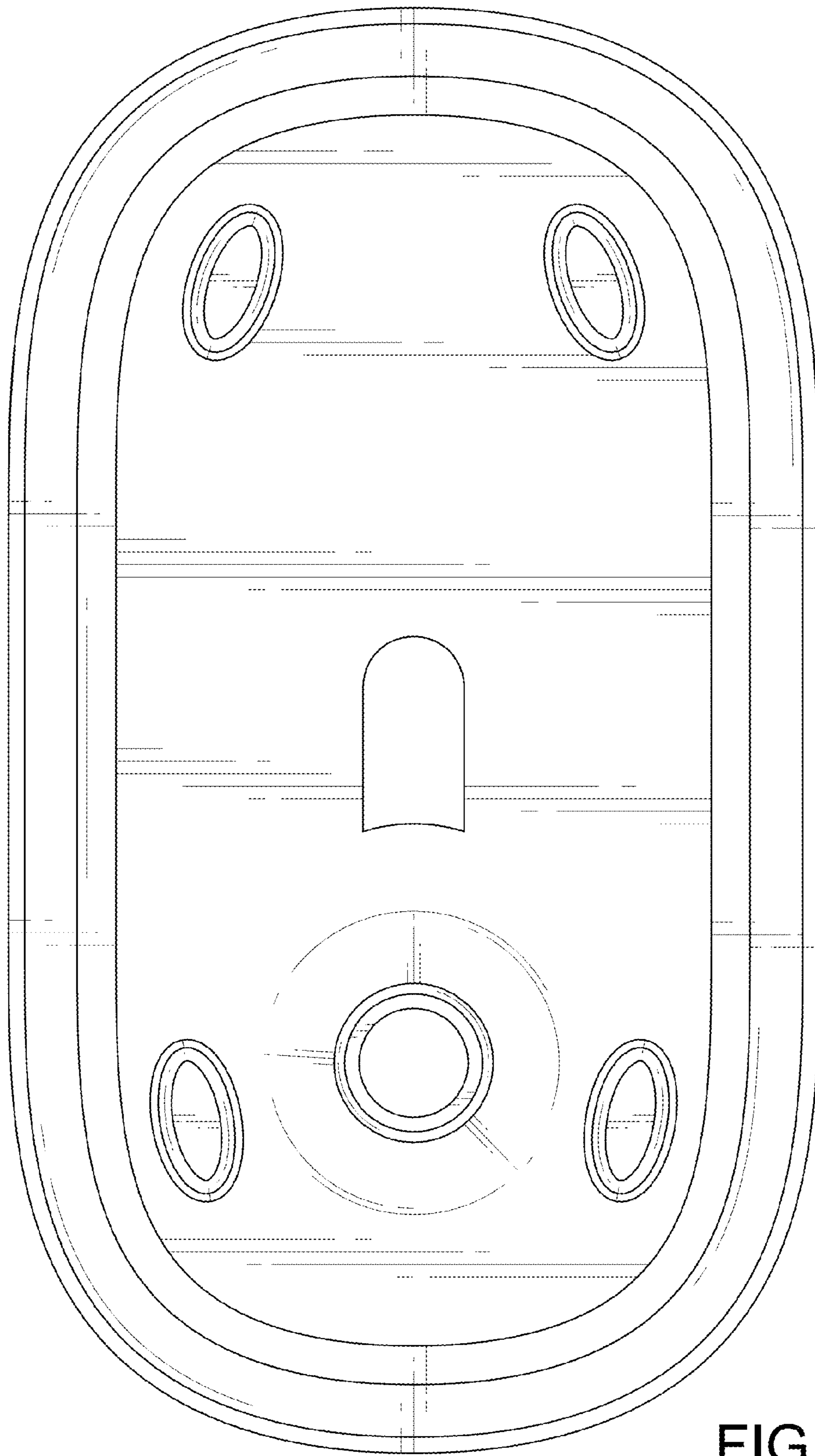


FIG.7

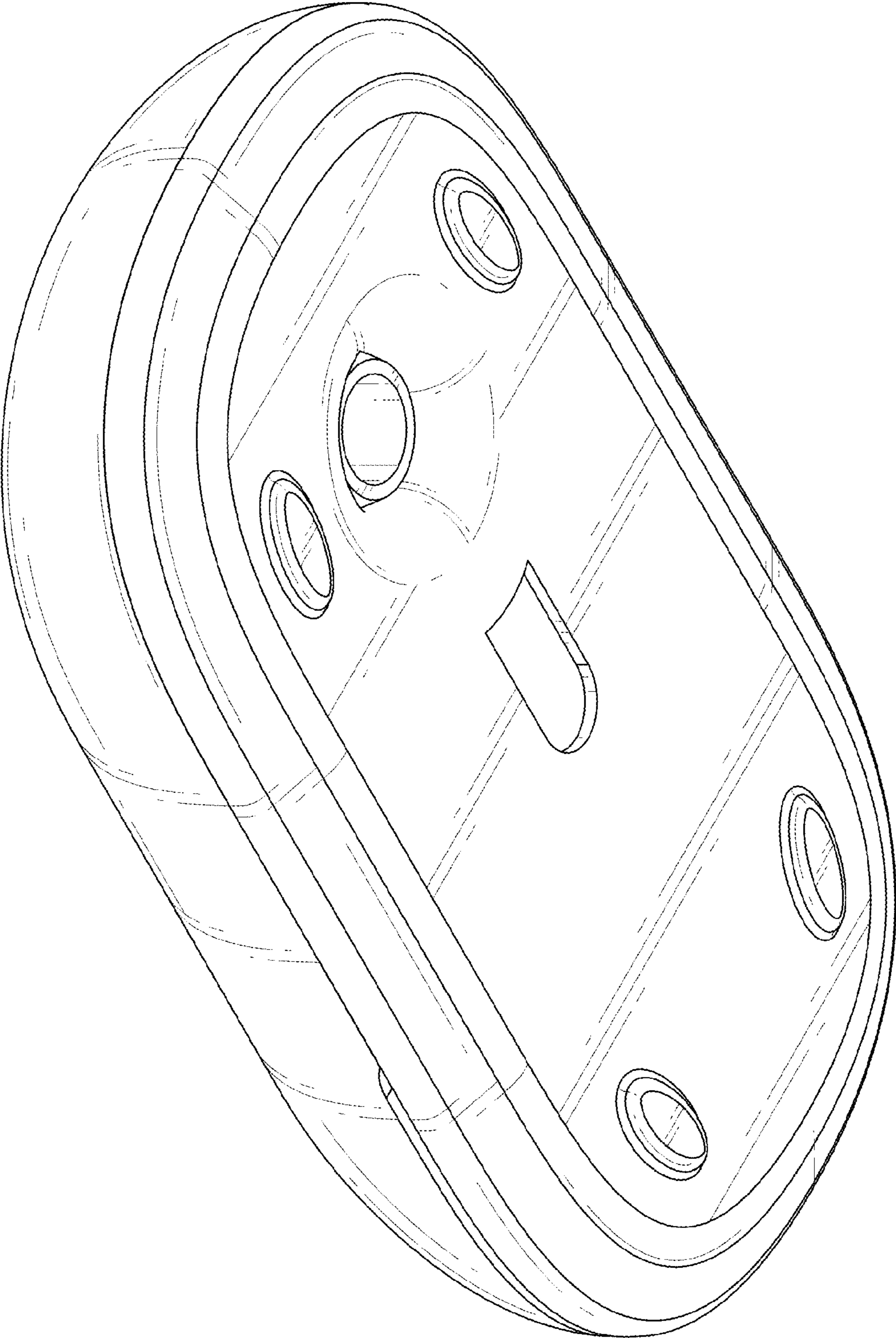


FIG.8