



US00D737272S

(12) **United States Design Patent**  
**Olsson et al.**

(10) **Patent No.:** **US D737,272 S**  
(45) **Date of Patent:** **\*\* Aug. 25, 2015**

(54) **WEARABLE DISPLAY DEVICE AND CONNECTION CABLE COMBINATION**

(71) Applicant: **Google Inc.**, Mountain View, CA (US)

(72) Inventors: **Maj Isabelle Olsson**, San Francisco, CA (US); **Matthew Wyatt Martin**, Ross, CA (US)

(73) Assignee: **Google Inc.**, Mountain View, CA (US)

(\*\*) Term: **14 Years**

(21) Appl. No.: **29/504,019**

(22) Filed: **Oct. 1, 2014**

**Related U.S. Application Data**

(62) Division of application No. 29/416,462, filed on Mar. 22, 2012, now Pat. No. Des. 716,805.

(51) **LOC (10) Cl.** ..... **14-02**

(52) **U.S. Cl.**  
USPC ..... **D14/372**

(58) **Field of Classification Search**  
USPC ..... D14/372, 496, 432, 371, 125, 126, 129, D14/299; D16/300-342; 351/158, 153, 144; 345/7-9, 905; 455/344; 348/115, 53, 348/121, 739  
CPC ..... G02B 27/017; G02B 27/0158; G02B 27/0161; G02B 27/0181; G02B 27/0185; G02B 27/0189  
See application file for complete search history.

(56) **References Cited**

**U.S. PATENT DOCUMENTS**

D327,079 S	6/1992	Allen
D334,557 S	4/1993	Hunter et al.
D337,320 S	7/1993	Hunter et al.
D402,651 S	12/1998	Depay et al.
D429,253 S	8/2000	Robertson et al.
D436,960 S	1/2001	Budd et al.

6,747,611 B1	6/2004	Budd et al.
D512,985 S	12/2005	Travers et al.
D533,893 S	12/2006	Canavan et al.
D559,250 S	1/2008	Pombo
D565,082 S	3/2008	McClure et al.
D566,744 S	4/2008	Travers et al.
D602,064 S	10/2009	Mitsui et al.
7,631,968 B1	12/2009	Dobson et al.
7,753,520 B2	7/2010	Fuziak, Jr.
D647,123 S	10/2011	Cho
D649,177 S	11/2011	Cho et al.
D659,137 S	5/2012	Matsumoto

(Continued)

*Primary Examiner* — Austin Murphy

(74) *Attorney, Agent, or Firm* — Lerner, David, Littenberg, Krumholz & Mentlik, LLP

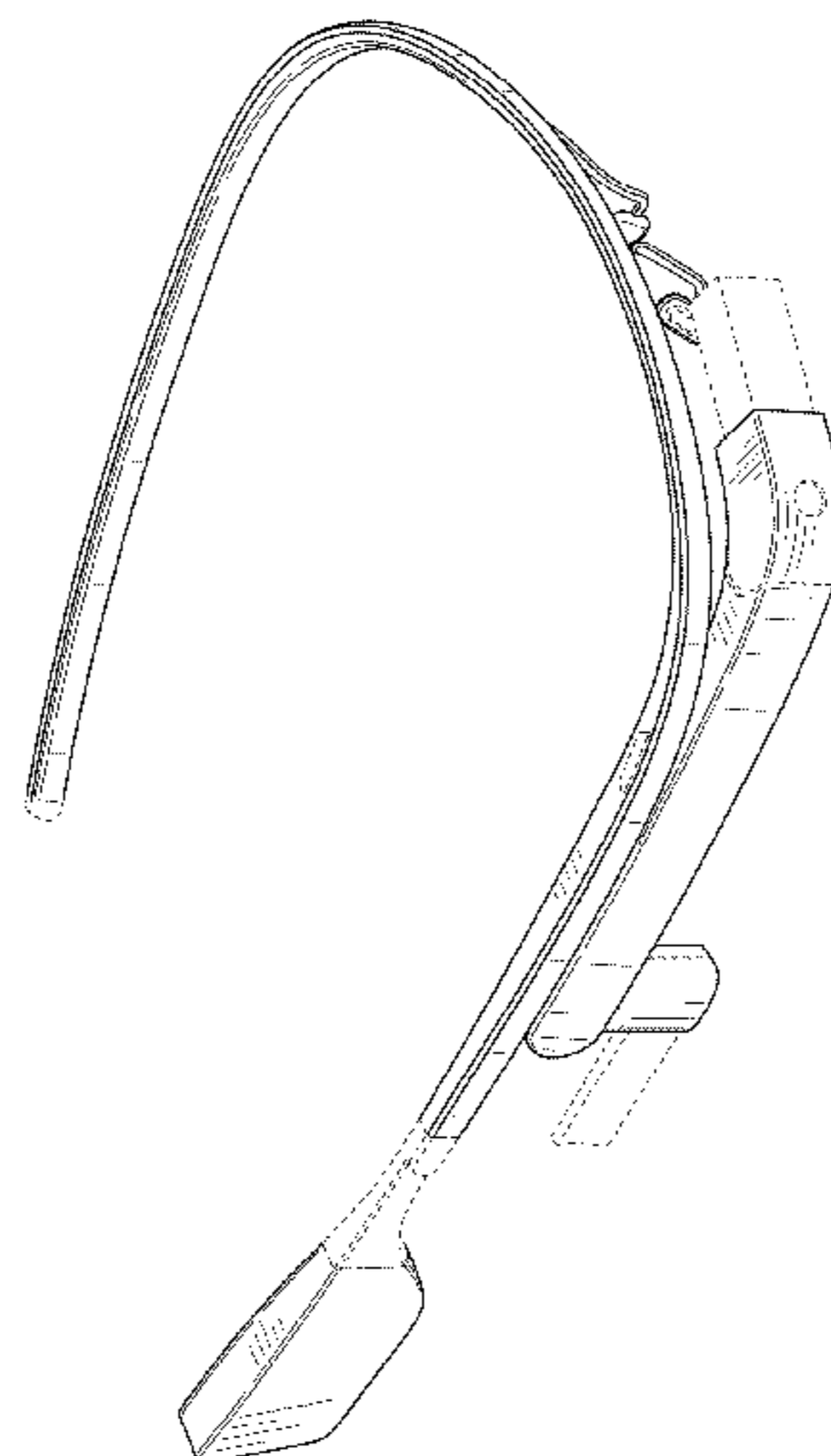
(57) **CLAIM**

The ornamental design for a wearable display device and connection cable combination, as shown and described.

**DESCRIPTION**

FIG. 1 is a front perspective view of a wearable display device and connection cable combination according to our design; FIG. 2 is a front elevation view of the wearable display device and connection cable combination of FIG. 1; FIG. 3 is a back elevation view of the wearable display device and connection cable combination of FIG. 1; FIG. 4 is a right elevation view of the wearable display device and connection cable combination of FIG. 1; FIG. 5 is a left elevation view of the wearable display device and connection cable combination of FIG. 1; FIG. 6 is a top elevation view of the wearable display device and connection cable combination of FIG. 1; and, FIG. 7 is a bottom elevation view of the wearable display device and connection cable combination of FIG. 1. Broken lines are environmental only and form no part of the claimed design. Dash-dot lines represent bounds of associated portions of the claimed design and form no part of the claimed design.

**1 Claim, 5 Drawing Sheets**



(56)

References Cited

U.S. PATENT DOCUMENTS

D659,739 S	5/2012	Olsson et al.	D716,299 S	10/2014	Olsson et al.	
D659,740 S	5/2012	Olsson et al.	D716,805 S	11/2014	Olsson et al.	
D659,741 S	5/2012	Heinrich et al.	D716,806 S	11/2014	Olsson et al.	
D660,341 S	5/2012	Olsson et al.	D716,808 S	11/2014	Yeom et al.	
D662,964 S	7/2012	Olsson et al.	D717,796 S *	11/2014	Olsson	D14/372
D664,184 S	7/2012	Olsson et al.	D718,305 S *	11/2014	Olsson et al.	D14/372
D664,185 S	7/2012	Heinrich et al.	D718,765 S *	12/2014	Olsson	D14/372
D664,586 S	7/2012	Olsson	D723,556 S *	3/2015	Choo et al.	D14/372
D666,237 S	8/2012	Olsson et al.	D724,082 S *	3/2015	Olsson et al.	D14/372
D669,066 S	10/2012	Olsson et al.	D725,102 S *	3/2015	Lee et al.	D14/372
D671,589 S	11/2012	Olsson	D725,103 S *	3/2015	Olsson et al.	D14/372
D680,152 S	4/2013	Olsson et al.	D725,104 S *	3/2015	Olsson et al.	D14/372
D688,727 S	8/2013	Olsson	D725,105 S *	3/2015	Olsson et al.	D14/372
D691,602 S	10/2013	Sugihara et al.	D725,106 S *	3/2015	Olsson et al.	D14/372
D692,424 S	10/2013	Pombo et al.	D725,653 S *	3/2015	Choo et al.	D14/372
D697,962 S	1/2014	Olsson	D725,654 S *	3/2015	Lee et al.	D14/372
D701,506 S	3/2014	Pombo	8,968,012 B2 *	3/2015	Olsson et al.	439/131
D703,724 S	4/2014	Olsson	2002/0089469 A1 *	7/2002	Cone et al.	345/8
D708,181 S	7/2014	Olsson et al.	2004/0113867 A1 *	6/2004	Tomine et al.	345/8
D711,373 S	8/2014	Lee et al.	2005/0219152 A1	10/2005	Budd et al.	
D711,374 S	8/2014	Lee et al.	2008/0198324 A1 *	8/2008	Fuziak	351/158
D711,375 S	8/2014	Lee et al.	2010/0045928 A1 *	2/2010	Levy	351/158
D711,376 S	8/2014	Lee et al.	2011/0012814 A1 *	1/2011	Tanaka	345/8
D713,406 S	9/2014	Pombo et al.	2011/0213664 A1 *	9/2011	Osterhout et al.	705/14.58
			2011/0267321 A1 *	11/2011	Hayakawa	345/204
			2012/0114131 A1 *	5/2012	Tricoukes et al.	381/74

\* cited by examiner

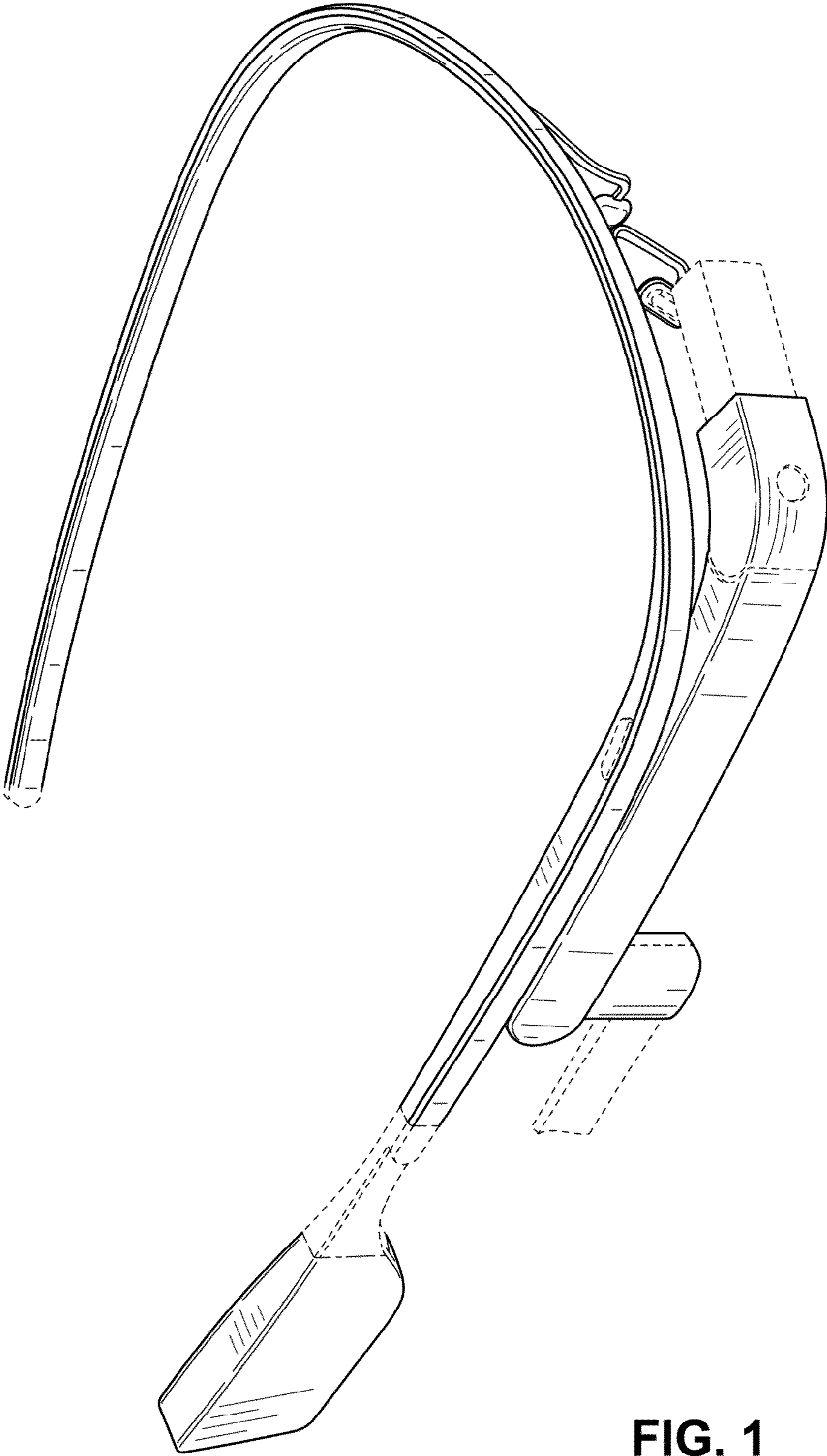


FIG. 1

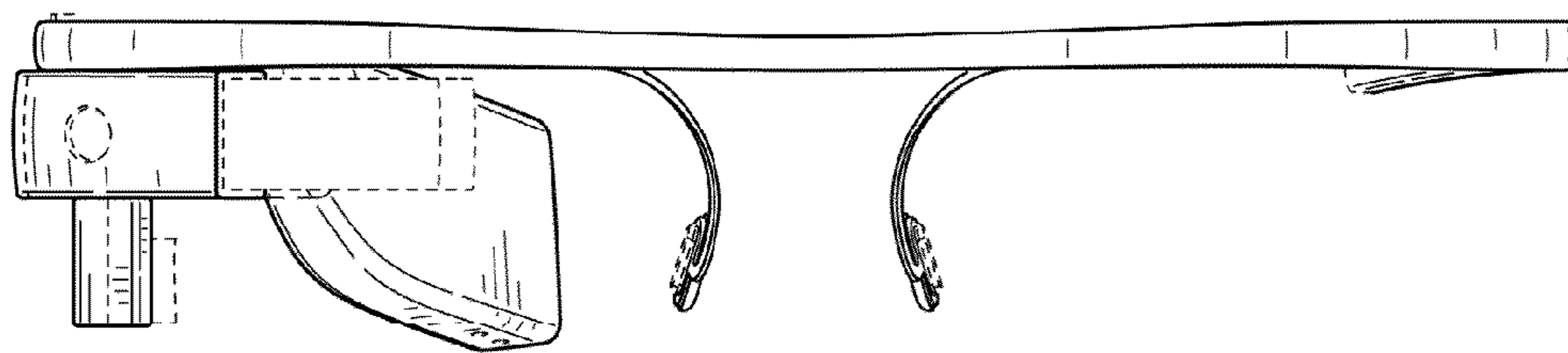


FIG. 2

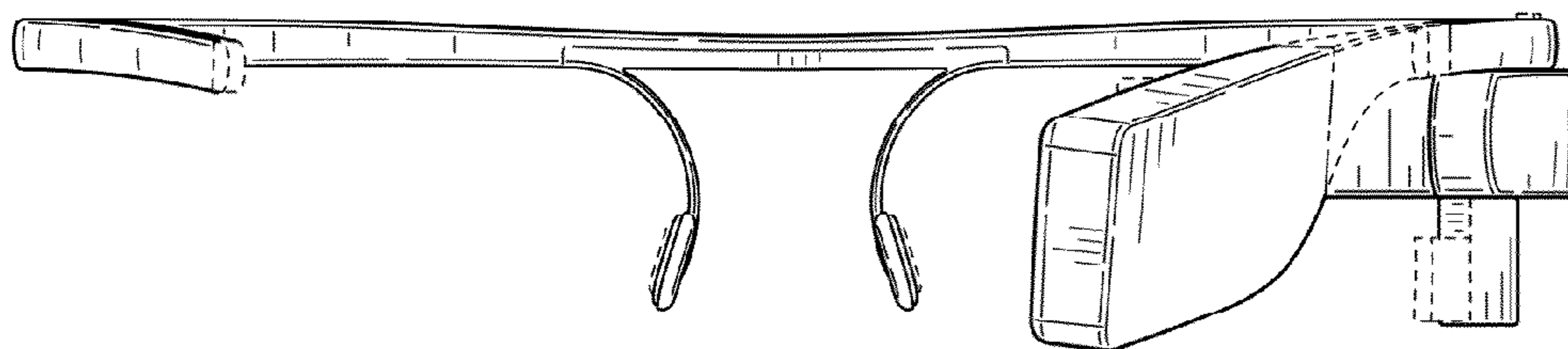


FIG. 3



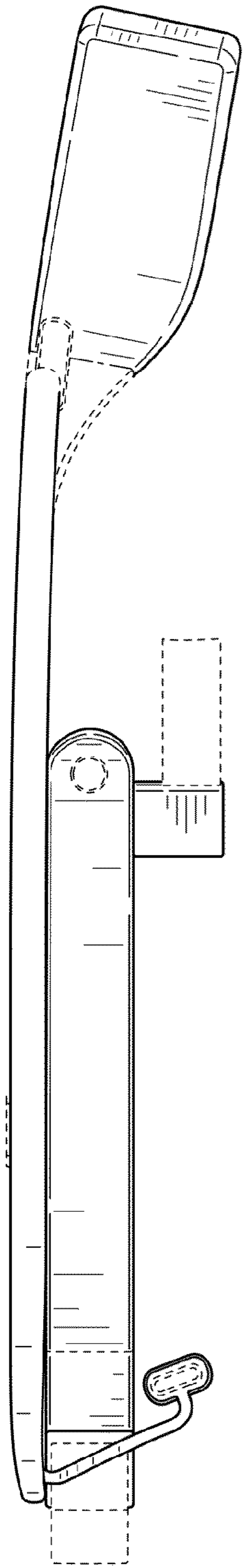


FIG. 4

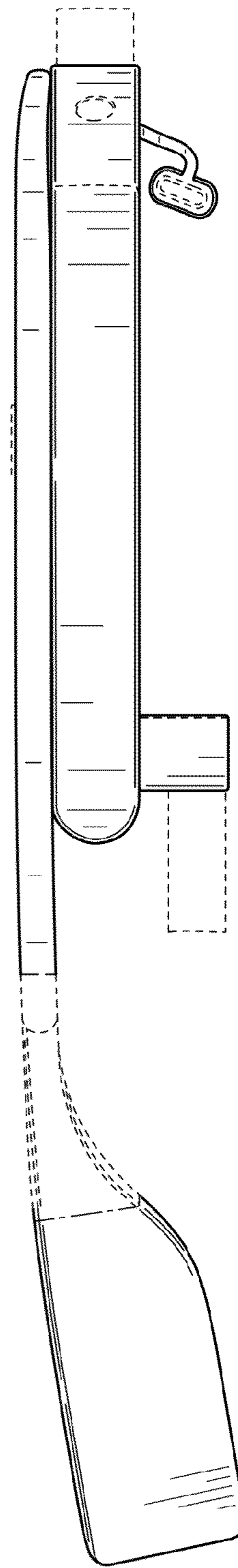


FIG. 5

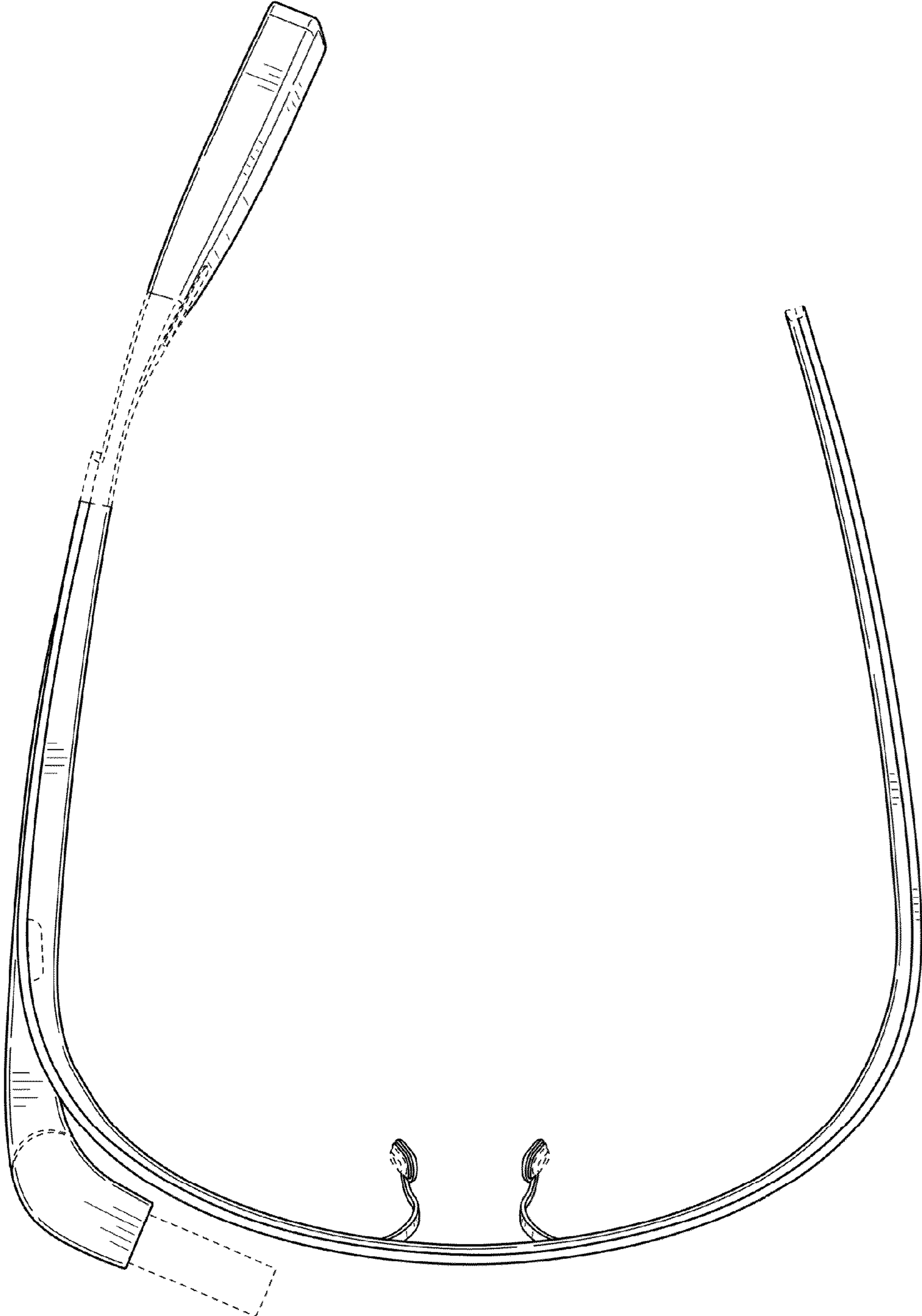


FIG. 6

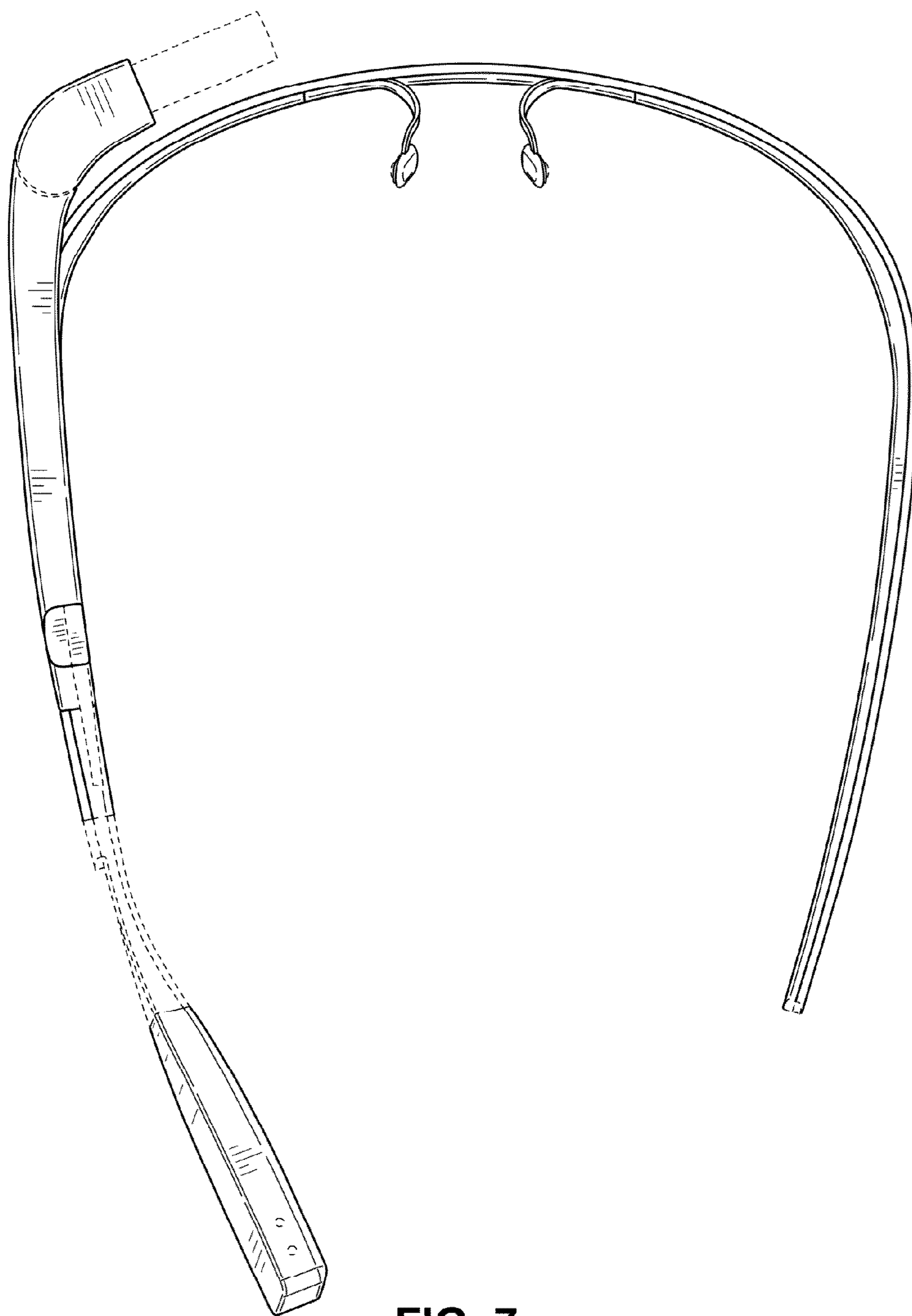


FIG. 7