



US00D737264S

(12) **United States Design Patent**
Shamsadov

(10) **Patent No.:** **US D737,264 S**

(45) **Date of Patent:** **** Aug. 25, 2015**

(54) **DEVICE RING-HOLDER**

(71) Applicant: **Sulumbek Shamsadov**, Brooklyn, NY
(US)

(72) Inventor: **Sulumbek Shamsadov**, Brooklyn, NY
(US)

(**) Term: **14 Years**

(21) Appl. No.: **29/475,868**

(22) Filed: **Dec. 7, 2013**

D719,961 S * 12/2014 Xiang et al. D14/447
D722,305 S * 2/2015 Lee D14/217
8,981,962 B2 * 3/2015 Fu 340/901

* cited by examiner

Primary Examiner — Catheri Oliver-Garcia

(74) *Attorney, Agent, or Firm* — Symbus Law Group, LLC;
Clifford D. Hyra

(57) **CLAIM**

The ornamental design for a device ring-holder, as shown and described.

DESCRIPTION

FIG. 1 is a perspective view of a device ring-holder showing the front and top sides.

FIG. 2 is a perspective view of a device ring-holder showing the front and bottom sides.

FIG. 3 is a right side view of a device ring-holder. The left side view is identical.

FIG. 4 is a front view of a device ring-holder. The rear view is identical.

FIG. 5 is a top view of a device ring-holder.

FIG. 6 is a bottom view of a device ring-holder.

FIG. 7 is a top view of a device ring-holder with the ring-arms folded down.

FIG. 8 is a front view of a device ring-holder with the ring-arms folded down. The rear view is identical.

FIG. 9 is a perspective view of a device ring-holder with the ring-arms in an intermediate position between folded down and raised up, showing the front, top and left sides; and,

FIG. 10 is a right side view of a device ring-holder with the ring-arms in an intermediate position between folded down and raised up. The left side view is identical.

The broken lines in FIGS. 1-4, 6, 8 and 10 are included for the purpose of illustrating a portion of the device ring-holder that forms no part of the claimed design.

Related U.S. Application Data

(63) Continuation-in-part of application No. 14/063,876, filed on Oct. 25, 2013.

(51) **LOC (10) Cl.** **14-03**

(52) **U.S. Cl.**

USPC **D14/251**; D14/447

(58) **Field of Classification Search**

USPC D14/251, 217, 142, 149, 434, 447, 253;
248/149, 157, 162.1, 187.1, 404, 917,
248/205.1, 188.6, 596; 242/388.1; 294/25;
D8/373, 380; 340/575-576, 439, 901;
704/270, 275

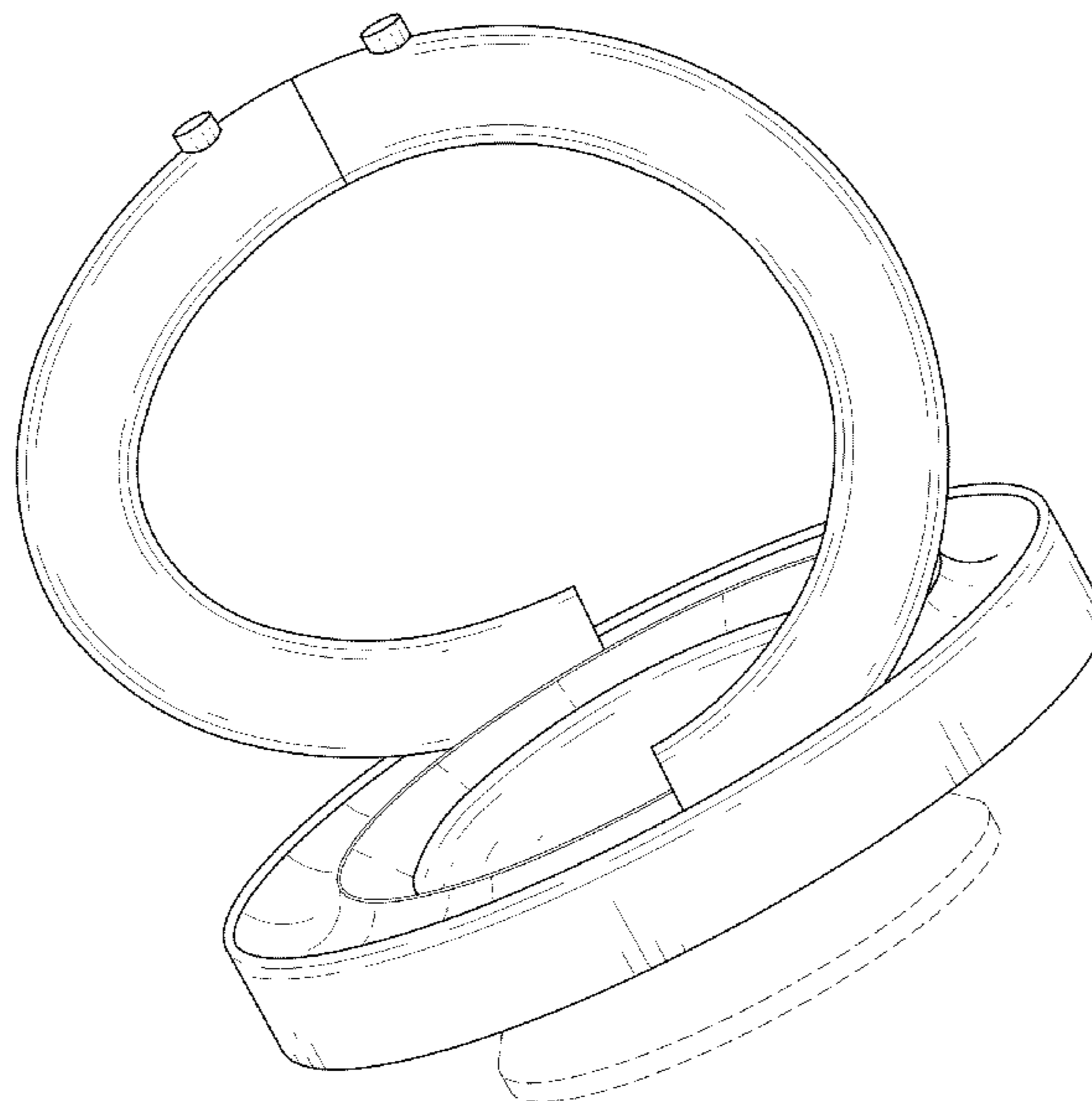
See application file for complete search history.

(56) **References Cited**

U.S. PATENT DOCUMENTS

D560,116 S * 1/2008 Brassard D8/380
D592,188 S * 5/2009 Huang D14/217
D657,783 S * 4/2012 Mo D14/251
8,317,152 B1 * 11/2012 Zhou 248/596
D688,252 S * 8/2013 Paul D14/447
8,720,837 B2 * 5/2014 Li et al. 248/188.6
D709,076 S * 7/2014 Stener D14/447
D718,295 S * 11/2014 Fan D14/251

1 Claim, 10 Drawing Sheets



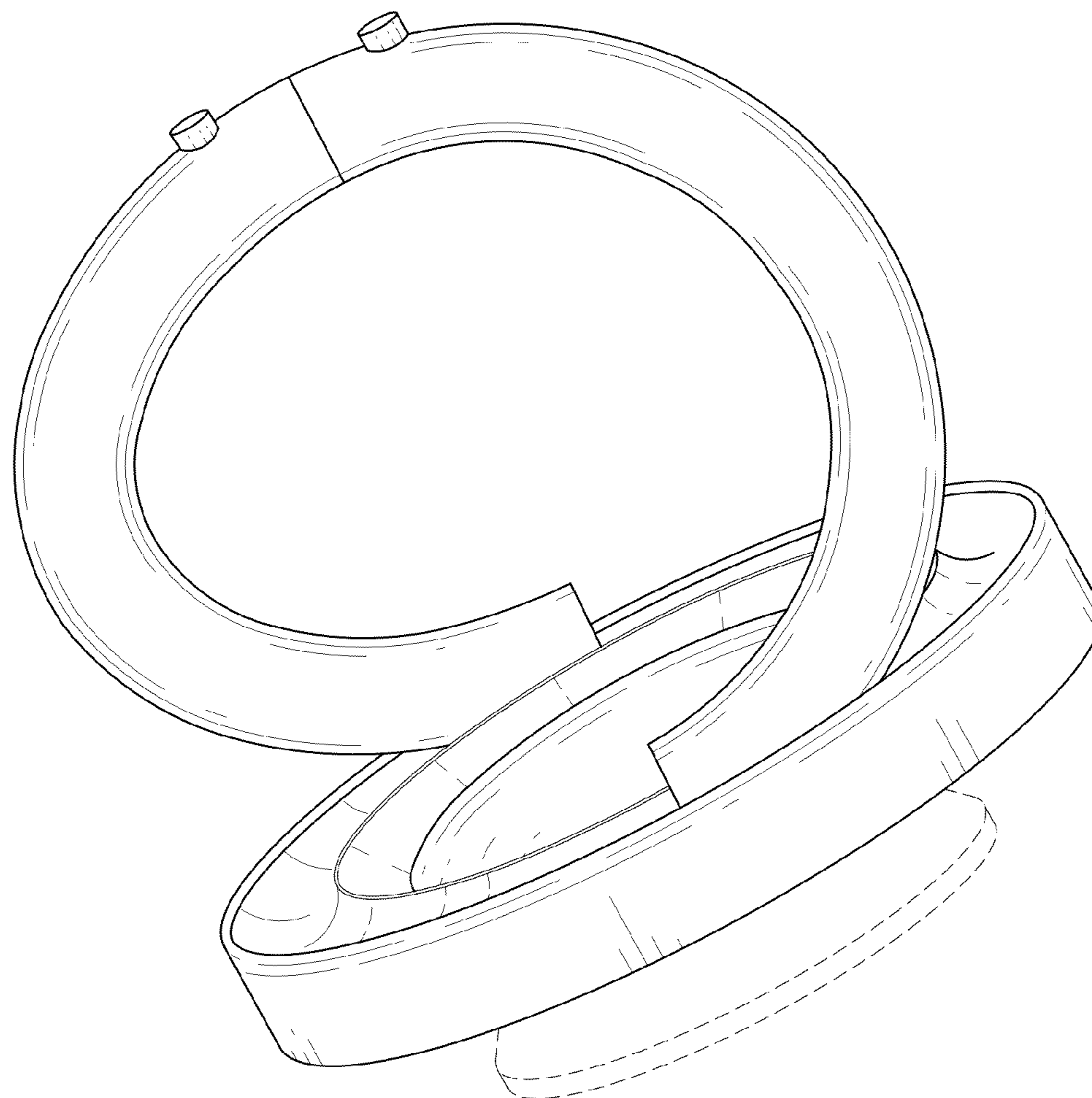


FIG. 1

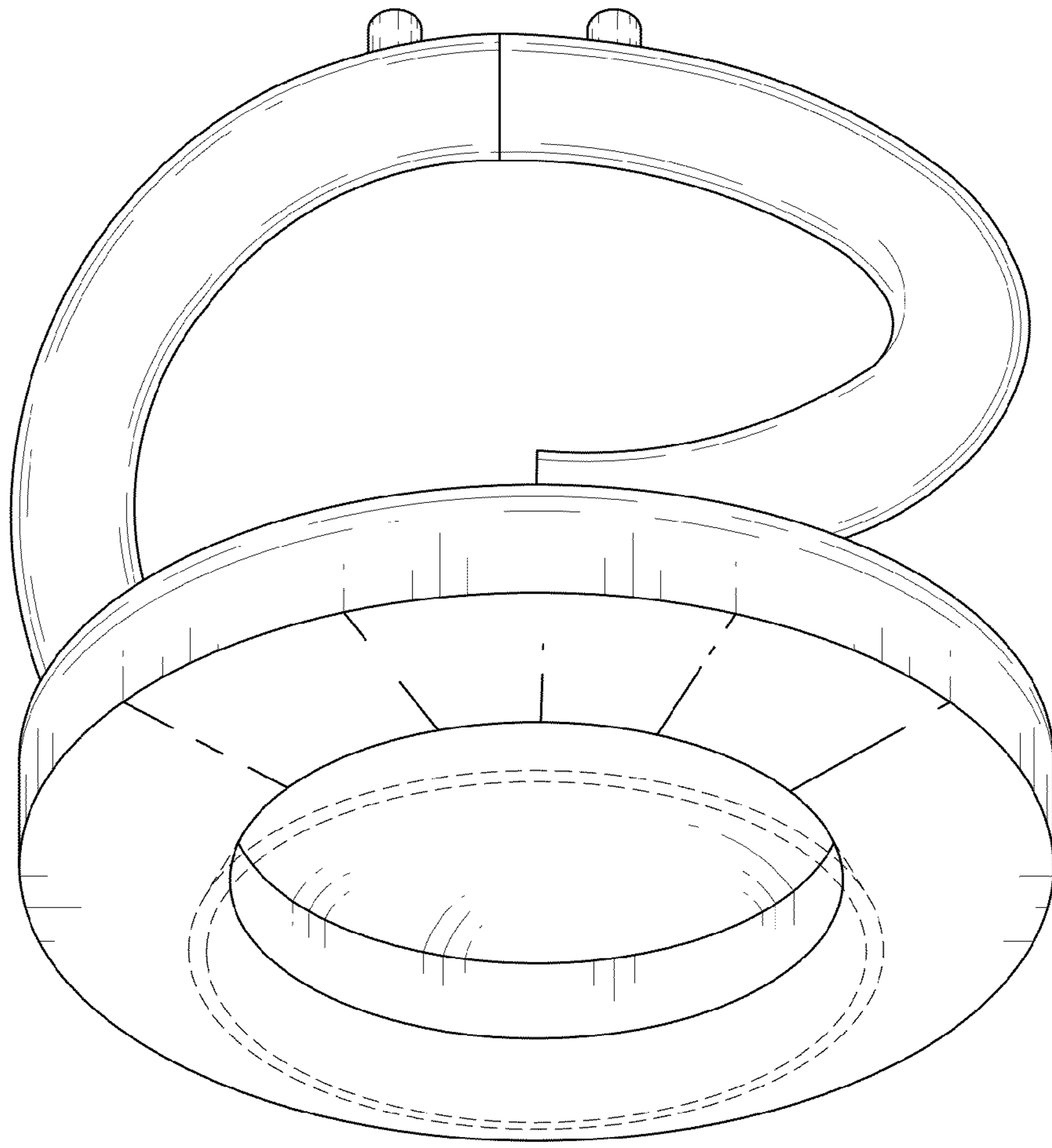


FIG. 2

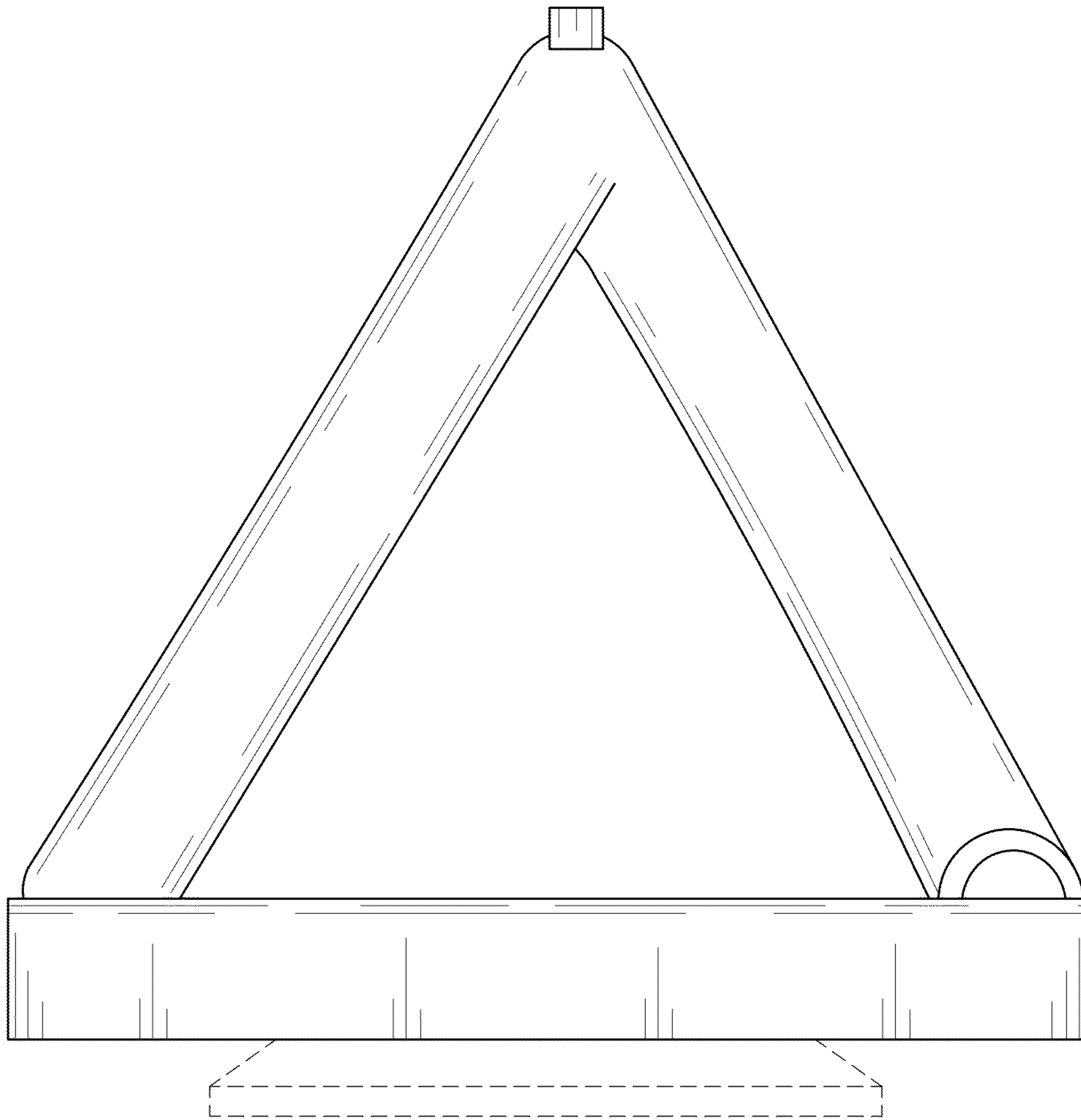


FIG. 3

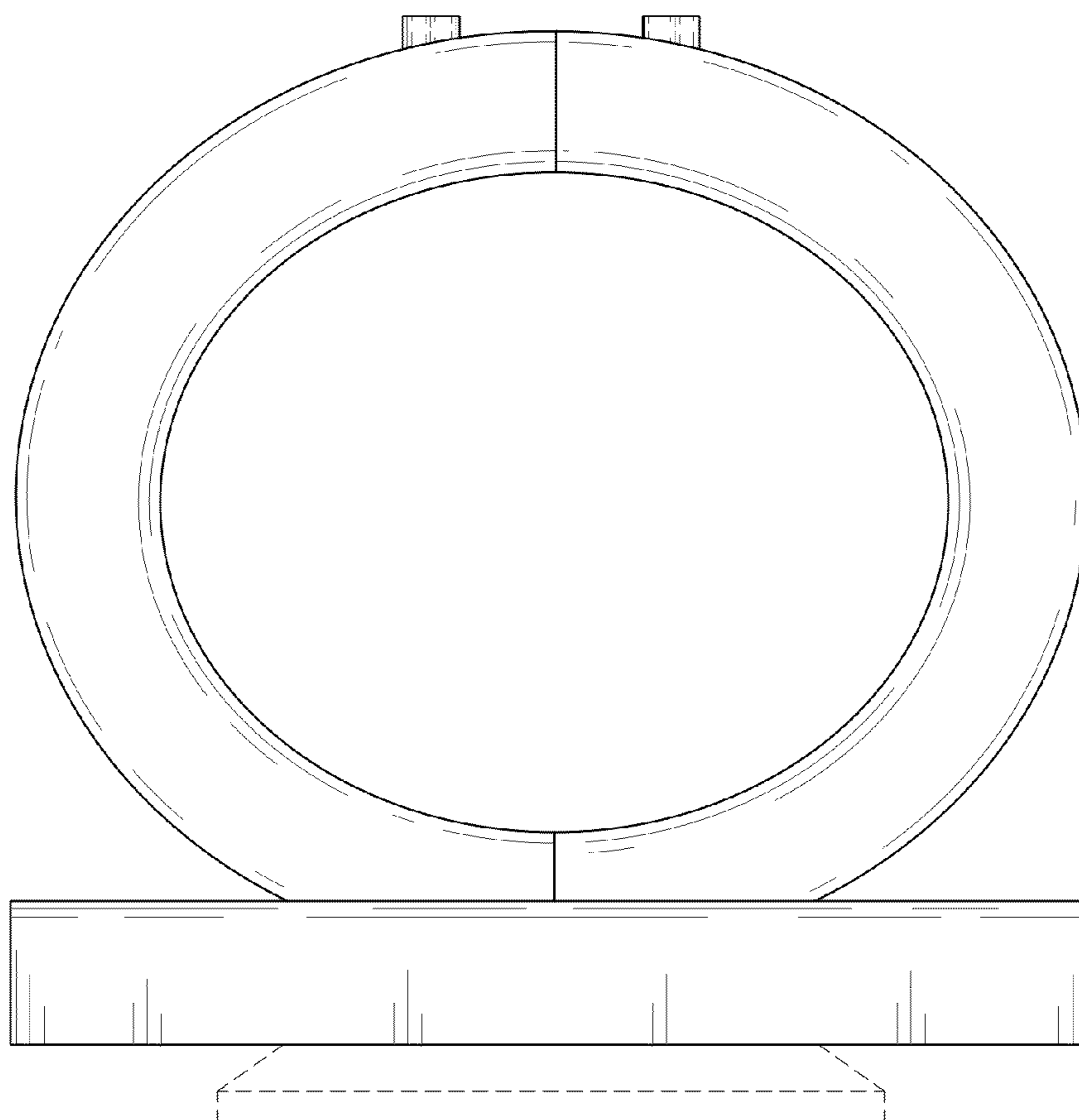


FIG. 4

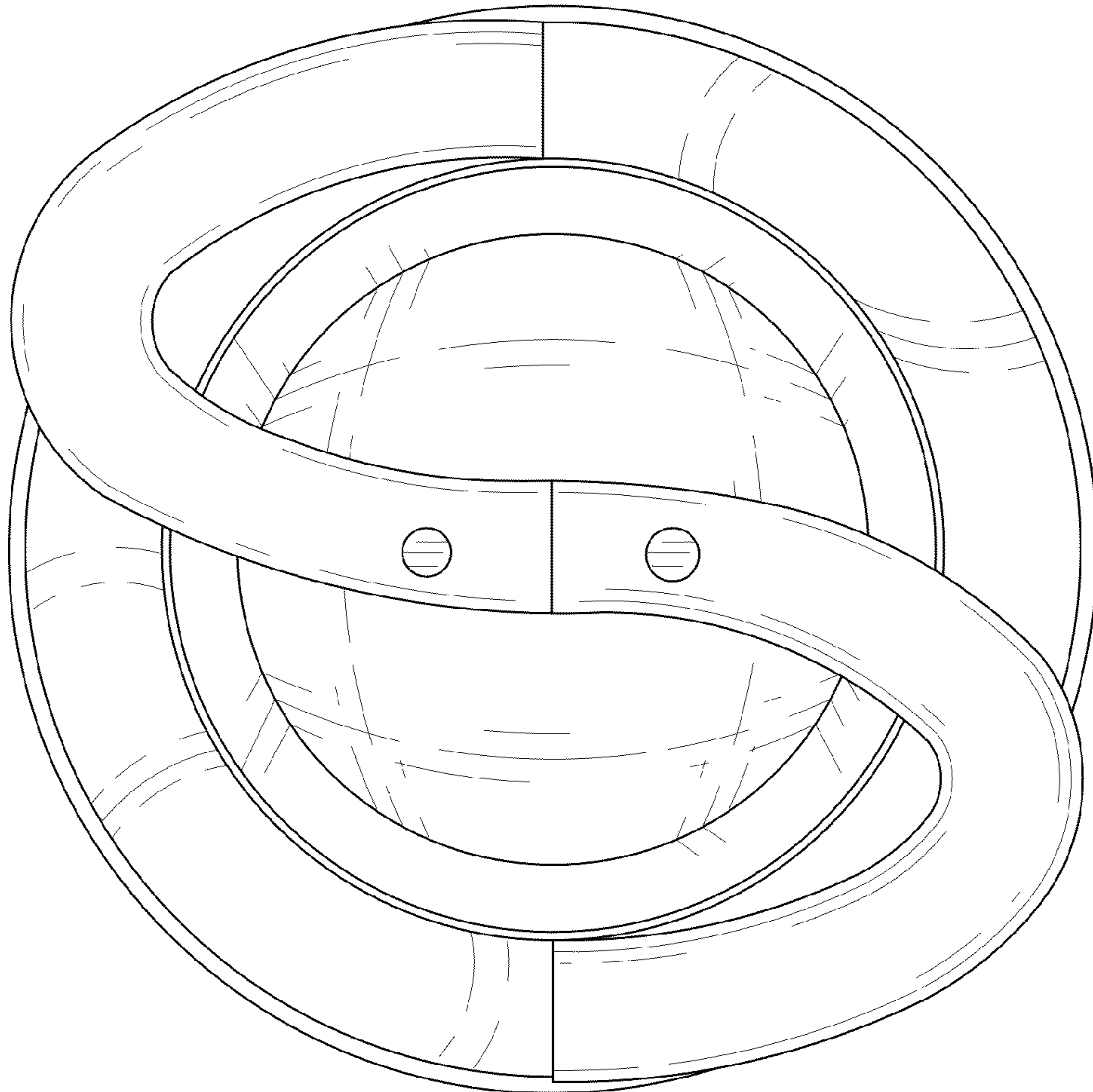


FIG. 5

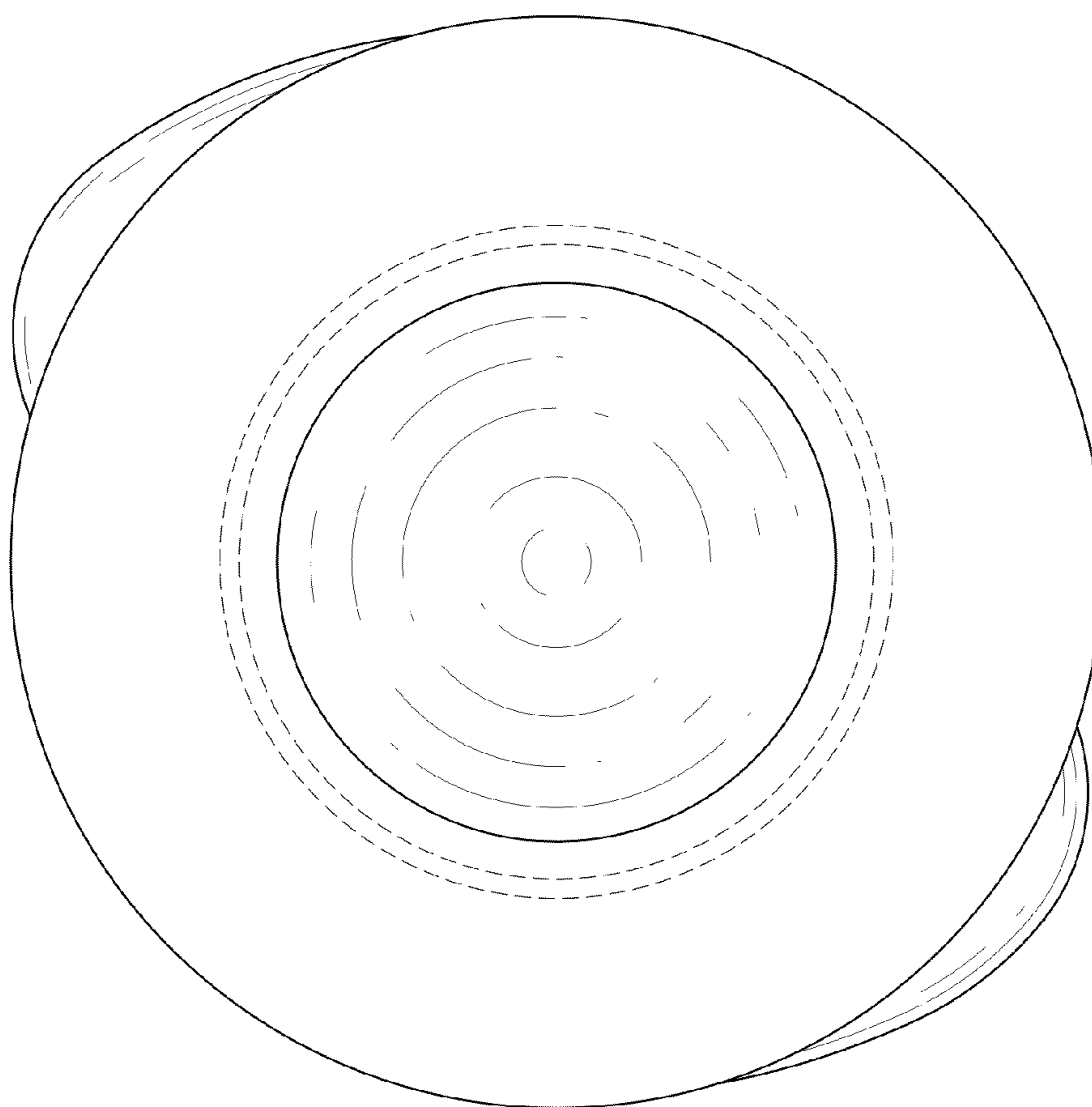


FIG. 6

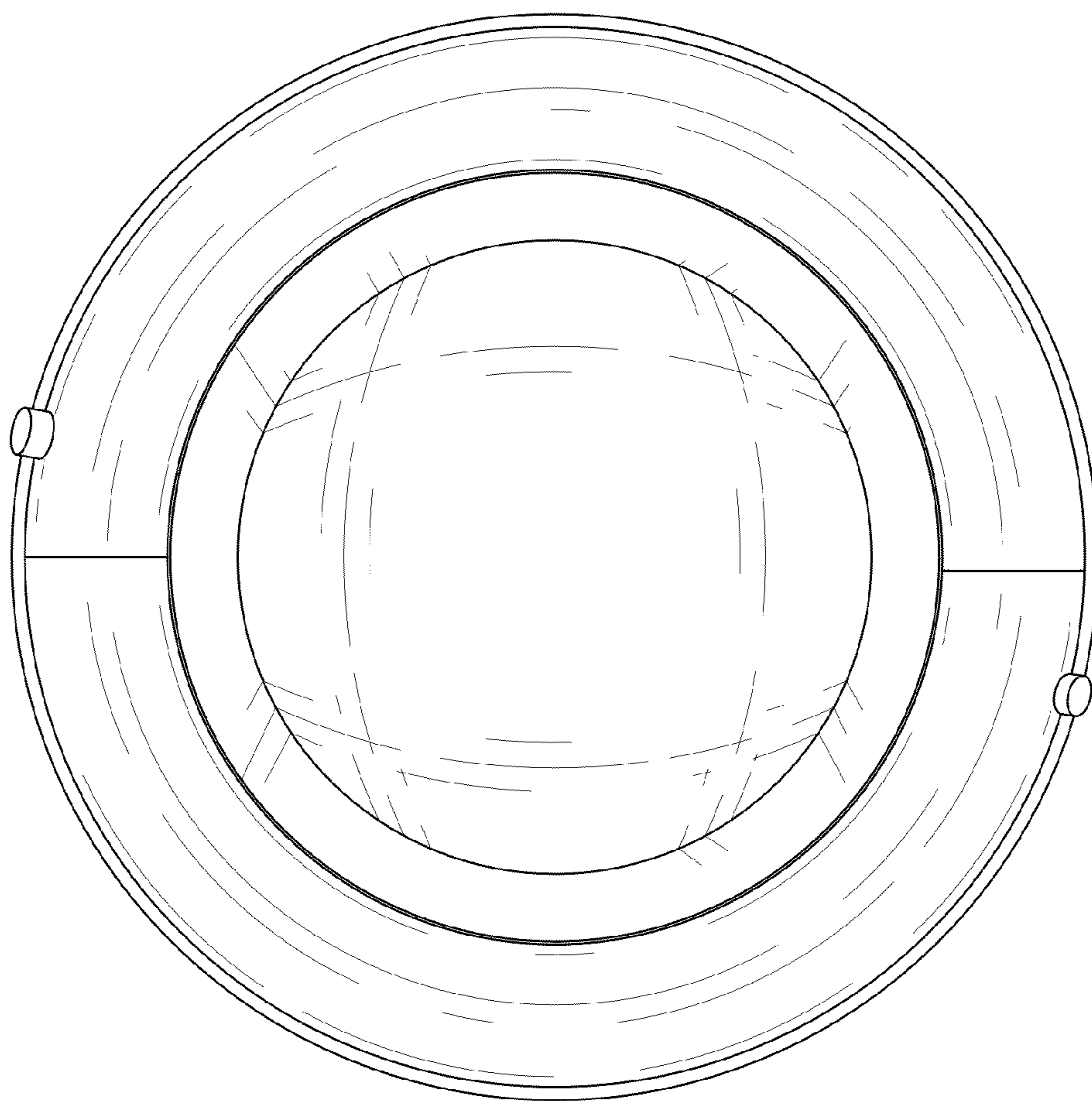


FIG. 7

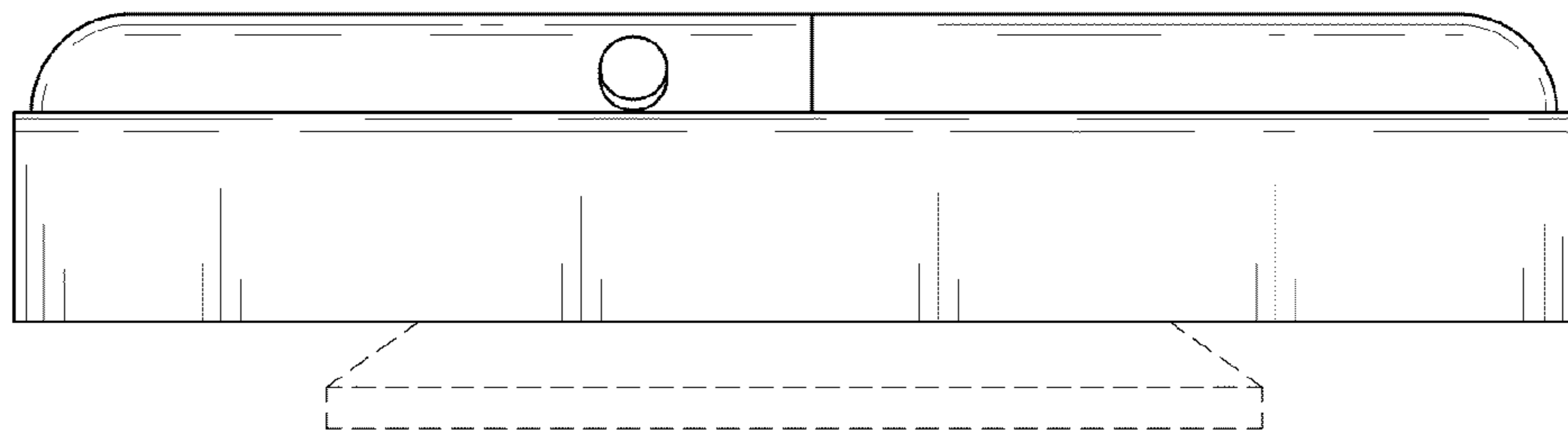


FIG. 8

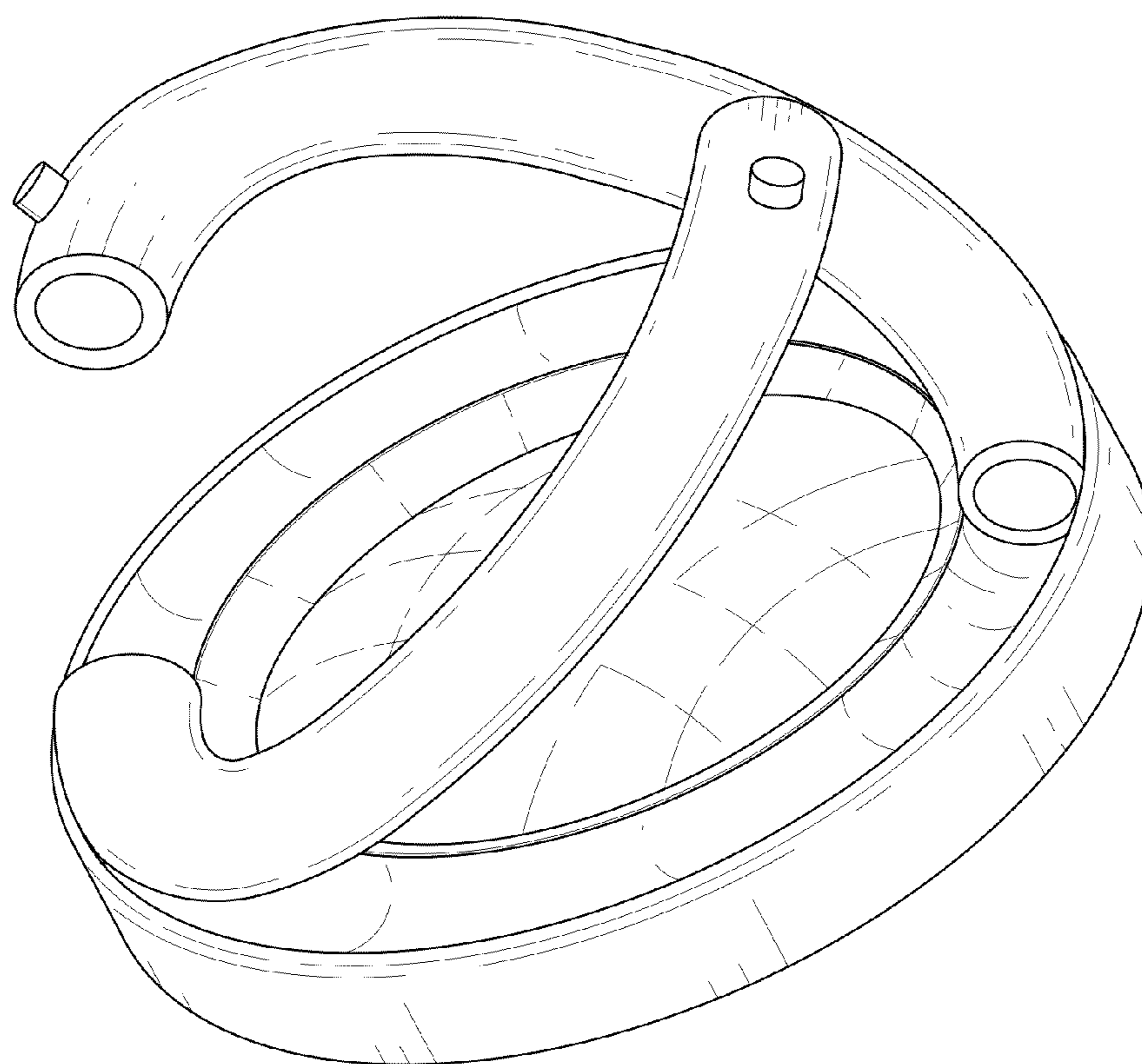


FIG. 9

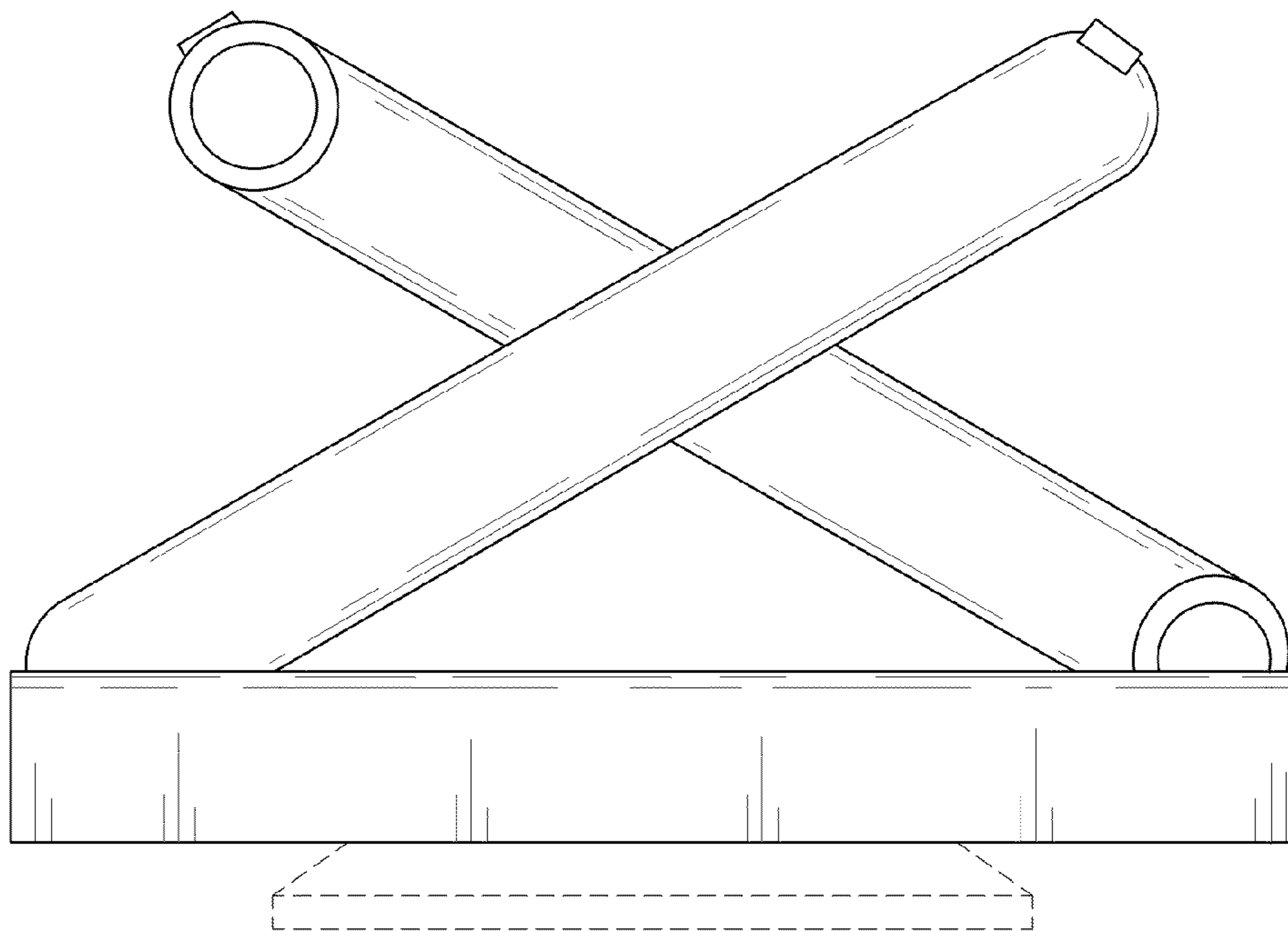


FIG. 10