



US00D737256S

(12) **United States Design Patent**  
**Harvey**

(10) **Patent No.:** **US D737,256 S**  
(45) **Date of Patent:** **\*\* Aug. 25, 2015**

(54) **WIRELESS DATA SYSTEM ANTENNA  
MOUNT BRACKET**

(71) Applicant: **Second Sight Systems, LLC**, Hillsboro,  
MO (US)

(72) Inventor: **Richard T. Harvey**, Hillsboro, MO (US)

(73) Assignee: **Second Sight Systems, LLC**, Hillsboro,  
MO (US)

(\*\*) Term: **14 Years**

(21) Appl. No.: **29/466,343**

(22) Filed: **Sep. 6, 2013**

(51) **LOC (10) Cl.** ..... **14-03**

(52) **U.S. Cl.**  
USPC ..... **D14/238**

(58) **Field of Classification Search**  
USPC ..... D14/230–238, 299, 358;  
343/700 R–705, 711–713, 871–908;  
455/90.2–90.3; 333/193; D8/353–354,  
D8/363, 381  
CPC ..... H01Q 7/00; H01Q 13/10; H01Q 9/285;  
H01Q 19/30; H01Q 19/12; H01Q 1/38;  
H04B 1/0475; H04B 1/034; H05K 11/00  
See application file for complete search history.

(56) **References Cited**

**U.S. PATENT DOCUMENTS**

D25,203	S	*	2/1896	Bowen	.....	D8/354
D103,963	S	*	4/1937	Butler	.....	D30/127
2,859,879	A	*	11/1958	Rogers et al.	.....	211/90.01
D324,784	S	*	3/1992	Rose	.....	D6/324
D347,380	S	*	5/1994	Herber	.....	D8/380
D362,854	S	*	10/1995	Fahy	.....	D14/238
D473,123	S	*	4/2003	Anderson	.....	D8/354
D488,056	S	*	4/2004	Dion	.....	D8/381
D490,678	S	*	6/2004	Dion	.....	D8/71
D512,855	S	*	12/2005	Bryson	.....	D14/239
D530,596	S	*	10/2006	Aldeghe et al.	.....	D8/381
D554,039	S	*	10/2007	Bulson	.....	D12/223
D571,793	S	*	6/2008	Wu et al.	.....	D14/230

7,439,926	B2	*	10/2008	Mikami et al.	.....	343/789
7,551,145	B2	*	6/2009	Tavassoli Hozouri	.....	343/770
7,703,732	B2	*	4/2010	Dantuono	.....	248/235
D625,169	S	*	10/2010	Quinn	.....	D8/354

(Continued)

**FOREIGN PATENT DOCUMENTS**

GB	1052781	*	3/1989
JP	D1216253	*	9/2004
JP	D1407293	*	2/2011

**OTHER PUBLICATIONS**

Ohn Products antenna wall mount brochure copyright 2011, online,  
site visited Apr. 28, 2015, <http://www.rohnnet.com/antenna-wall-mounts>.\*

Antennasystems.com P300 bracket PDF, copyright 2011, online, site  
visited Apr. 28, 2015, <http://www.antennasystems.com/Merchant2/pdf/P-300.pdf>.\*

(Continued)

*Primary Examiner* — John Windmuller

*Assistant Examiner* — John R Yeh

(74) *Attorney, Agent, or Firm* — Senniger Powers LLP

(57) **CLAIM**

The ornamental design for a wireless data system antenna  
mount bracket, as shown and described.

**DESCRIPTION**

FIG. 1 is a perspective of a wireless data system antenna  
mount bracket;

FIG. 2 is right side elevation thereof;

FIG. 3 is a rear elevation thereof;

FIG. 4 is a top plan thereof;

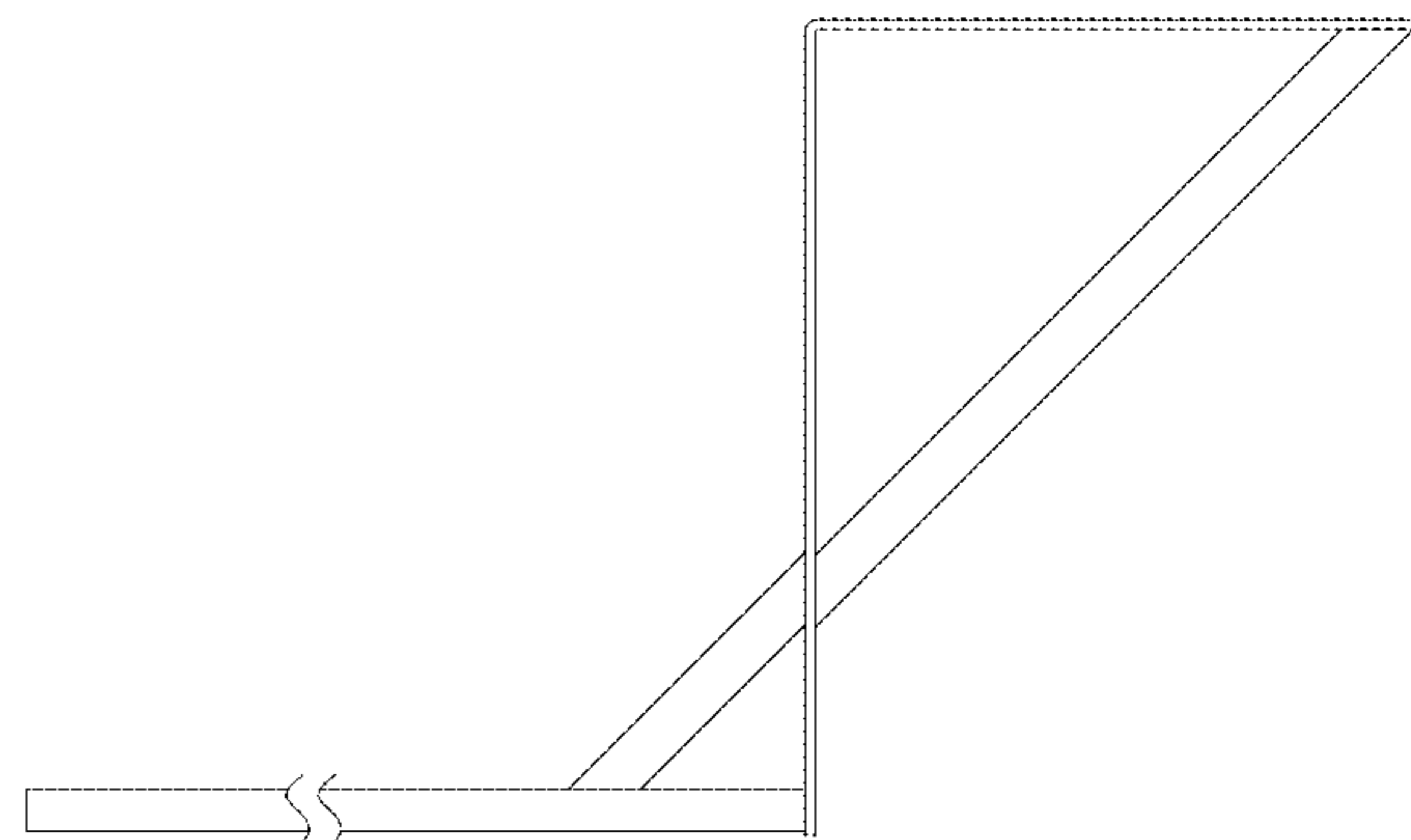
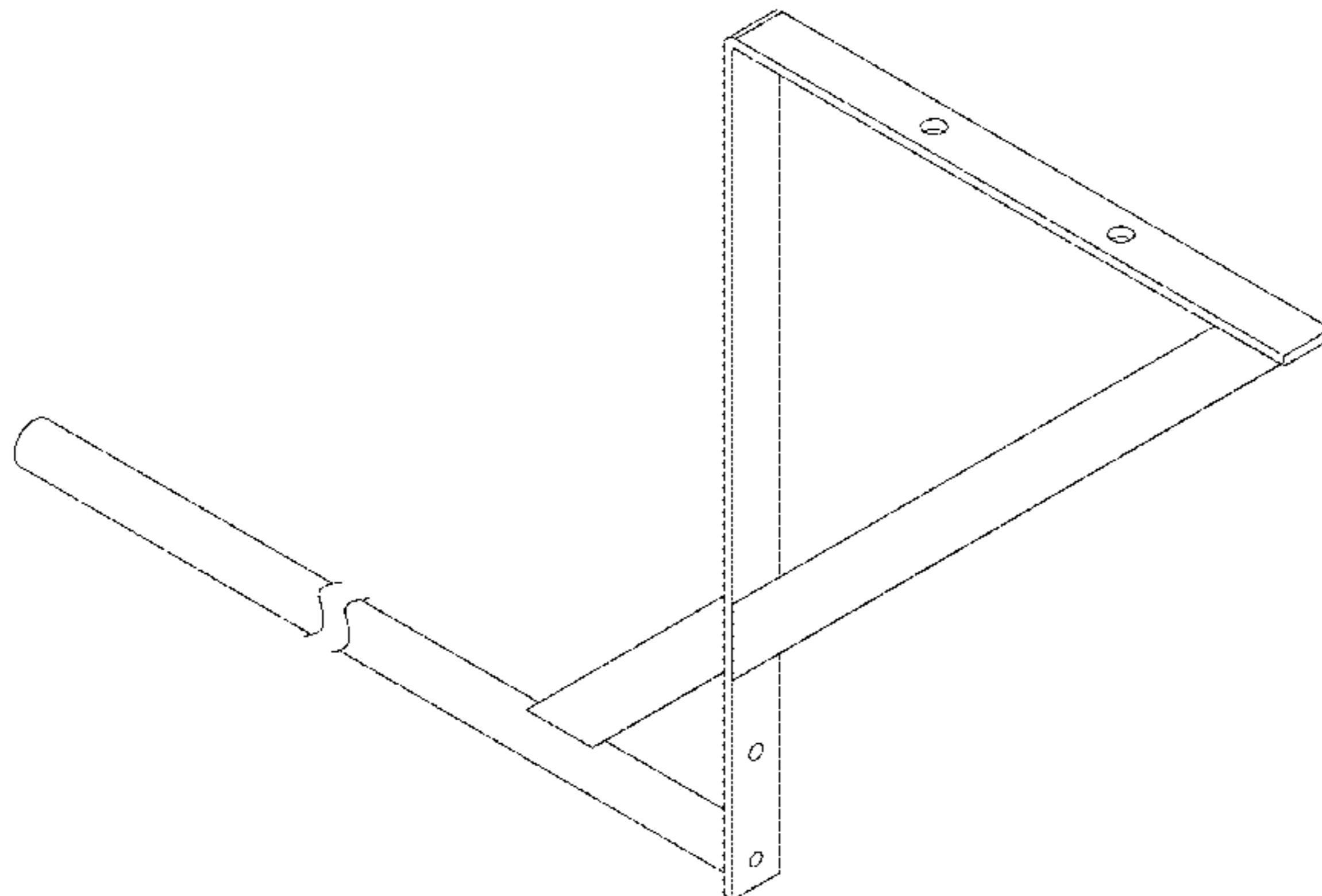
FIG. 5 is a left side elevation thereof;

FIG. 6 is a front elevation thereof; and,

FIG. 7 is a bottom plan thereof.

The element shown broken away is shown that way to indi-  
cate that it has no specific length other than what is shown.

**1 Claim, 7 Drawing Sheets**



(56)

**References Cited**

**OTHER PUBLICATIONS**

U.S. PATENT DOCUMENTS

D632,159 S \* 2/2011 Charette ..... D8/354  
D695,090 S \* 12/2013 White ..... D8/354  
D708,933 S \* 7/2014 Kats ..... D8/381  
2003/0164802 A1\* 9/2003 Lindenmeier ..... 343/713  
2004/0004579 A1\* 1/2004 Manzione et al. .... 343/893

Amazon.com: WLanParts Antenna Wall Mount Bracket, online, site visited Apr. 28, 2015, <http://www.amazon.com/WLanParts-Antenna-Wall-Mount-Bracket/dp/B002T0G8TQ>.\*

\* cited by examiner

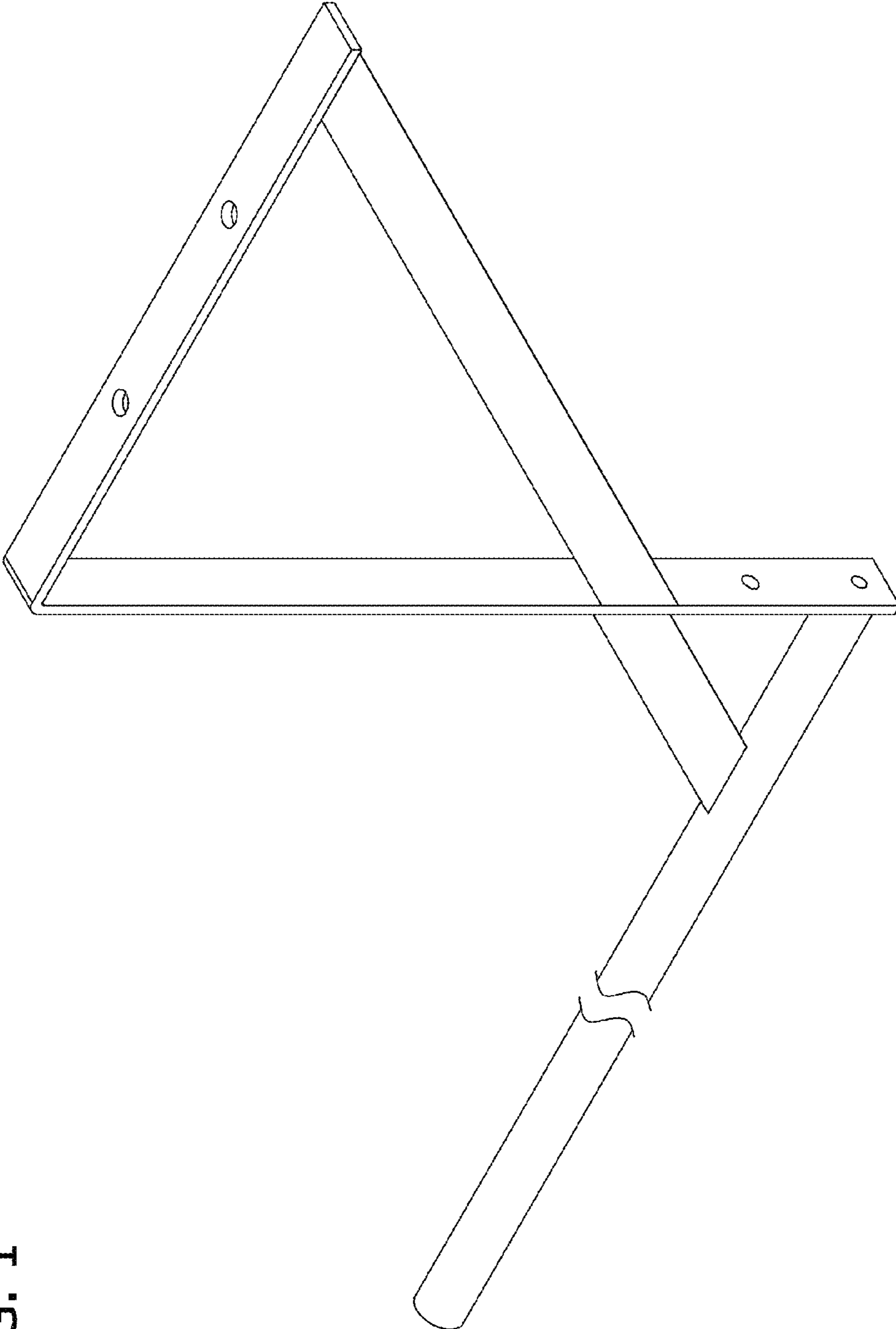


FIG. 1

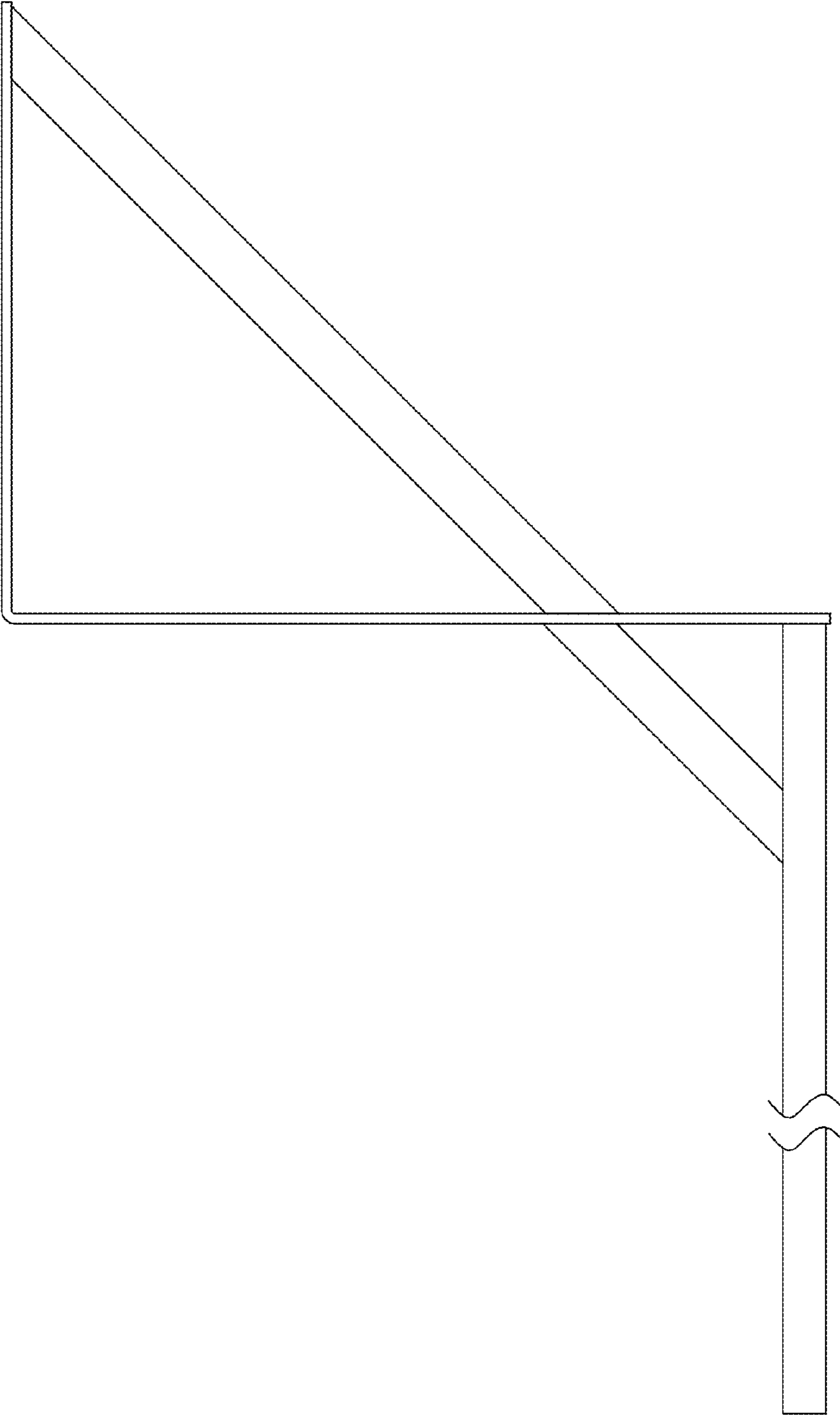


FIG. 2

FIG. 3

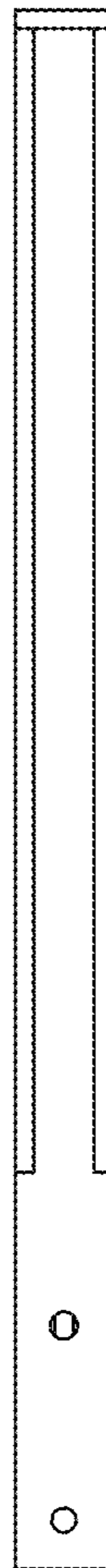


FIG. 4

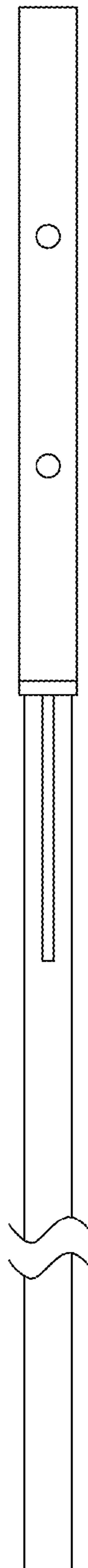


FIG. 5

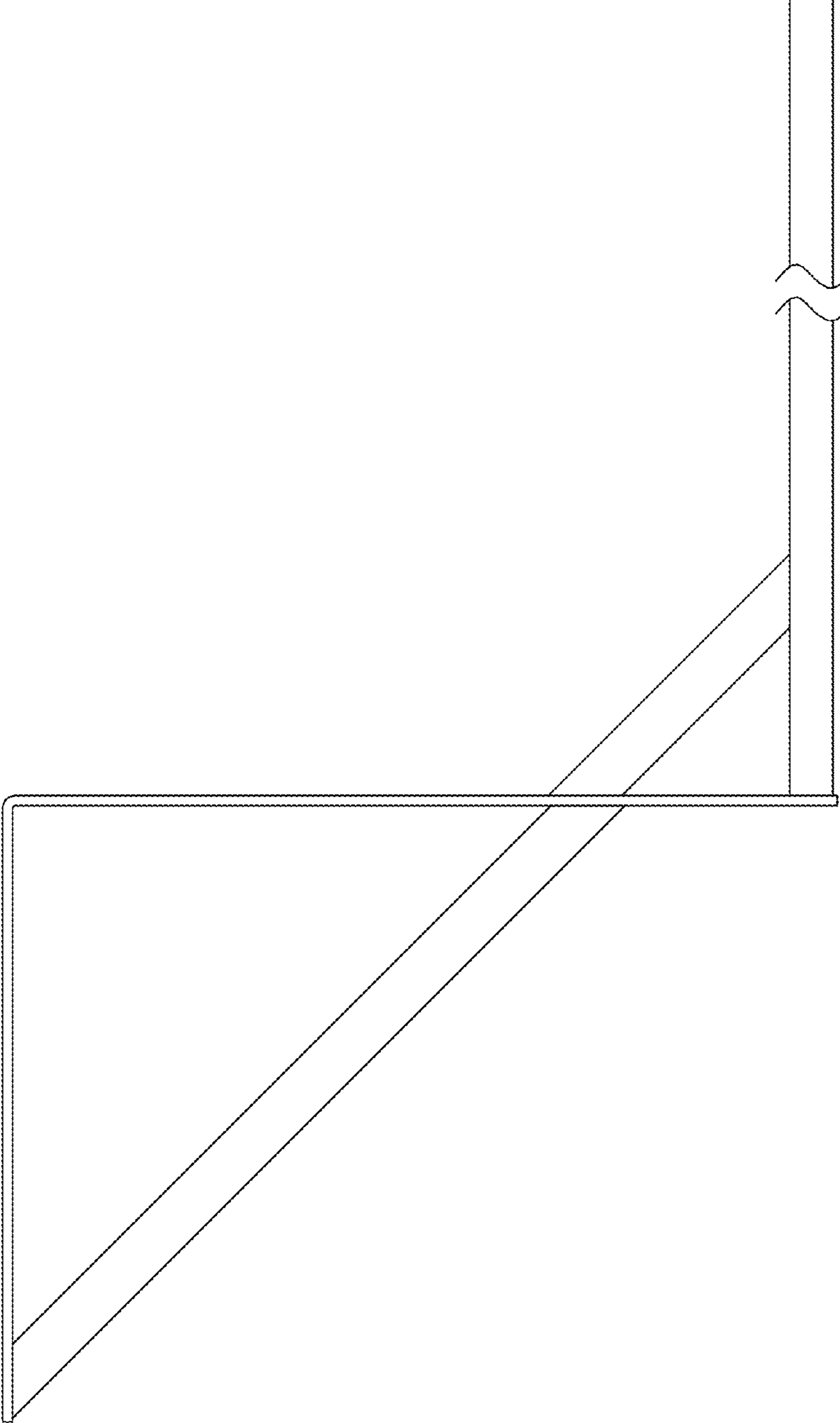


FIG. 6

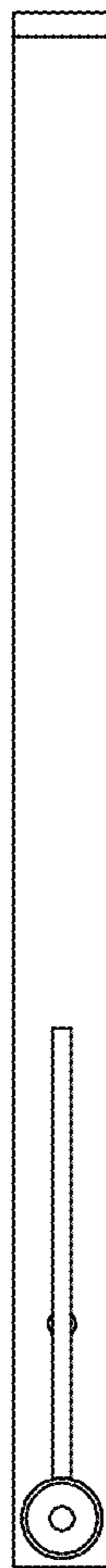




FIG. 7

