

US00D737254S

(12) **United States Design Patent**  
**Mun et al.**

(10) **Patent No.:** **US D737,254 S**

(45) **Date of Patent:** **\*\* Aug. 25, 2015**

(54) **MICROPHONE MOUNT ASSEMBLY**

(71) Applicant: **Freedman Electronics Pty Limited,**  
Silverwater NSW (AU)

(72) Inventors: **Sung Hoon Mun,** Silverwater (AU);  
**Mohammadreza Ghanavi,** Silverwater  
(AU)

(73) Assignee: **Freedman Electronics Pty Limited,**  
Silverwater, New South Wales (AU)

(\*\*) Term: **14 Years**

(21) Appl. No.: **29/473,550**

(22) Filed: **Nov. 22, 2013**

(51) **LOC (10) Cl.** ..... **14-01**

(52) **U.S. Cl.**  
USPC ..... **D14/229**

(58) **Field of Classification Search**  
USPC ..... D14/224–229, 234; D16/208, 248;  
D17/99, 22; D21/513; 181/158, 242;  
381/26, 355, 356, 361, 365, 366, 368,  
381/369; 455/575.1, 90.3; D8/355, 394,  
D8/396

CPC ..... H04R 1/08; H04R 1/083; F16F 1/46;  
F16M 11/041; H01F 7/0252

See application file for complete search history.

(56) **References Cited**

**U.S. PATENT DOCUMENTS**

1,805,362	A *	5/1931	Ellis	.....	381/368
4,194,096	A *	3/1980	Ramsey	.....	381/366
4,577,070	A *	3/1986	Shulman	.....	381/366
D396,862	S *	8/1998	Morgan	.....	D14/225
D450,684	S *	11/2001	Morgan	.....	D14/226
6,459,802	B1 *	10/2002	Young	.....	381/368
7,946,379	B1 *	5/2011	Frenchik	.....	181/158
D705,761	S *	5/2014	McGovern et al.	.....	D14/229
D706,245	S *	6/2014	McGovern et al.	.....	D14/229

D707,662	S *	6/2014	Okita	.....	D14/229
D710,831	S *	8/2014	Cooper et al.	.....	D14/229
2009/0016558	A1 *	1/2009	Woolf et al.	.....	381/368
2010/0239113	A1 *	9/2010	Browne	.....	381/361
2013/0061430	A1 *	3/2013	Okita et al.	.....	24/303
2013/0062479	A1 *	3/2013	Okita	.....	248/176.1

**OTHER PUBLICATIONS**

MXL 990 Condenser Microphone with Shockmount. musiciansfriend.com(online). Pp. 1, 2 and 4 of 7. Uploaded as early as Jun. 16, 2006 [retrieved on Dec. 30, 2014]. Retrieved from Internet: <<http://www.musiciansfriend.com/condenser-microphones/mxl-990-condenser-microphone-with-shockmount?pfm=sp>>.\*

Rode NTA-1 reviews. sweetwater.com(online). 1 Page. Uploaded as early as Apr. 23, 2010 [retrieved on Dec. 30, 2014]. Retrieved from Internet:<<http://www.sweetwater.com/store/detail/NT1AAnniv/reviews?sb=date>>.\*

(Continued)

*Primary Examiner* — Susan Bennett Hattan

*Assistant Examiner* — Marie Fast Horse

(74) *Attorney, Agent, or Firm* — TraskBritt, P.C.

(57) **CLAIM**

The ornamental design for a microphone mount assembly, as shown and described.

**DESCRIPTION**

FIG. 1 is a bottom view of a microphone mount assembly, showing our new design;

FIG. 2 is a front view of the design;

FIG. 3 is a isometric view of the design;

FIG. 4 is a isometric view of the design;

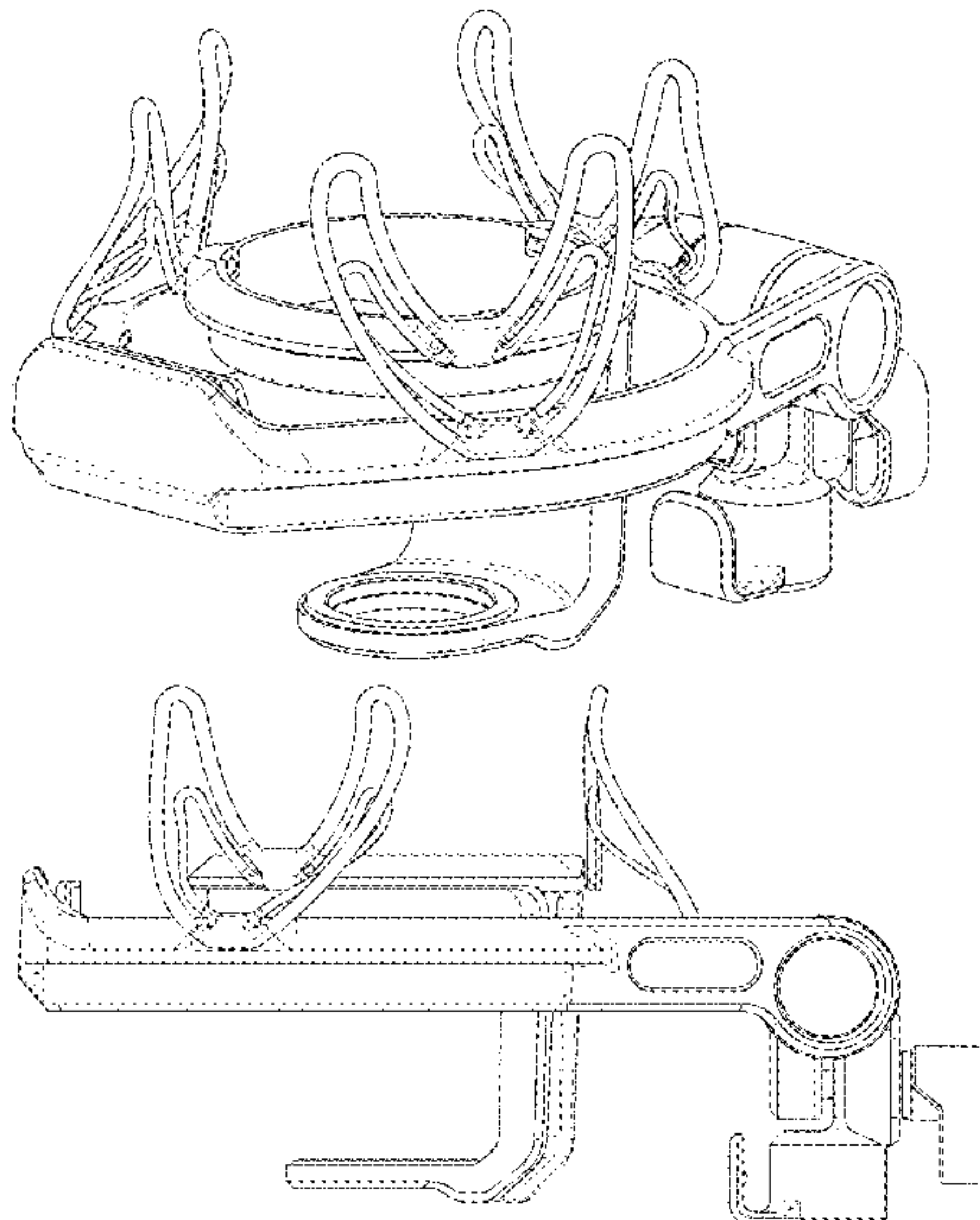
FIG. 5 is a rear view of the design;

FIG. 6 is a side view of the design; and,

FIG. 7 is a top view of the design.

The broken lines in FIG. 1 depict parts of the microphone mount assembly that form no part of the claimed design.

**1 Claim, 7 Drawing Sheets**



(56)

**References Cited**

OTHER PUBLICATIONS

Rycote InVision USM Shockmount Universal. youtube.com(online). 2 Pages. Uploaded Jan. 25, 2010 [retrieved on Dec. 30, 2014]. Retrieved from Internet: <<https://www.youtube.com/watch?v=6udtIs-fCAk>>.\*

Rycote InVision Universal Microphone Shock Mount. bhphotovideo.com (online). 5 Pages. Uploaded as early as Jul. 26, 2010 [retrieved on Dec. 30, 2014]. Retrieved from Internet: <[http://www.bhphotovideo.com/c/product/675998-REG/Rycote\\_044901\\_InVision\\_Universal\\_Microphone\\_Shock.html/prm/alsVwDtl](http://www.bhphotovideo.com/c/product/675998-REG/Rycote_044901_InVision_Universal_Microphone_Shock.html/prm/alsVwDtl)>.\*

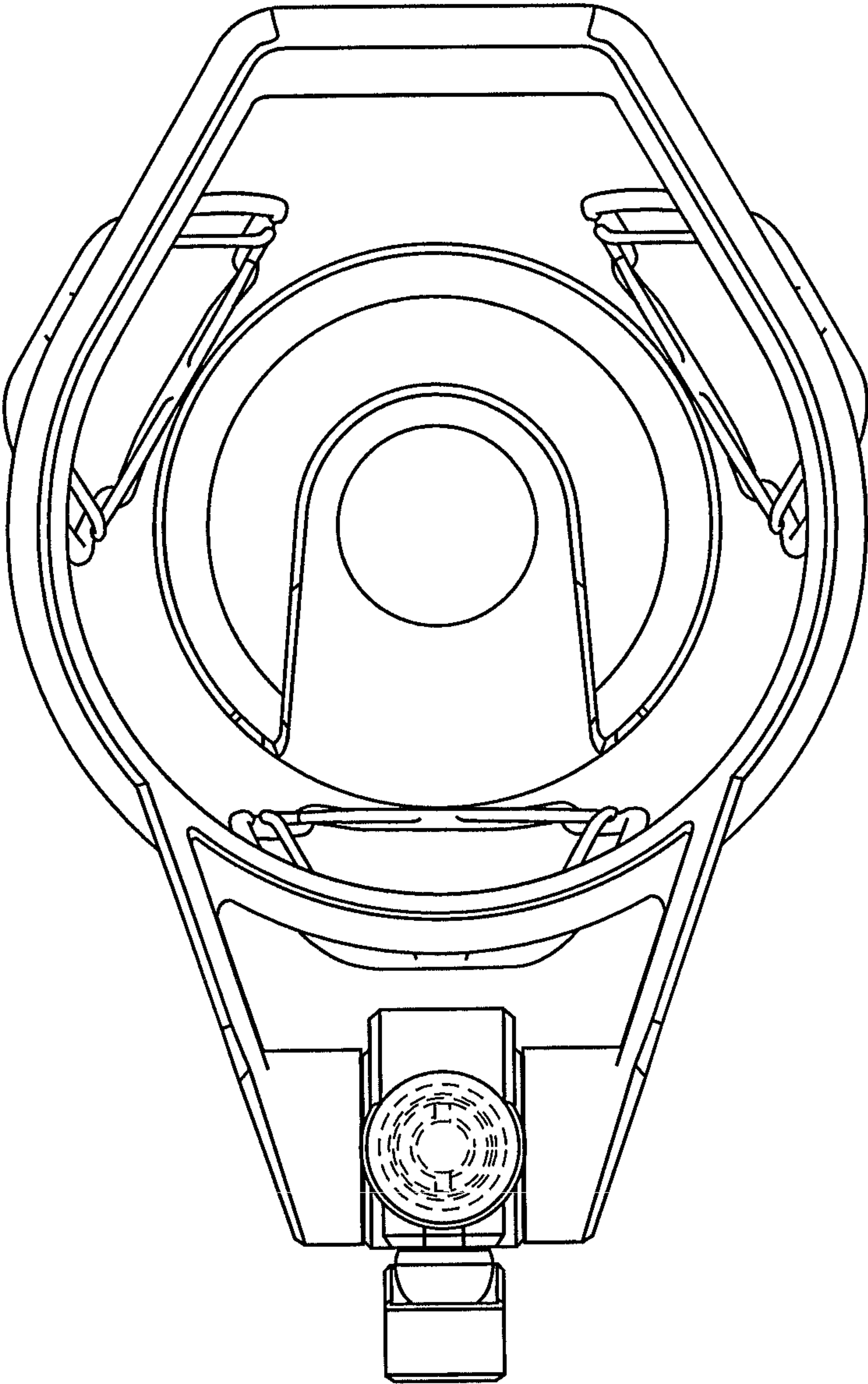
Rode NT2000 Vocal Condenser Microphone. amazon.com(online). 6 Pages. Uploaded Jul. 18, 2006 [retrieved on Dec. 30, 2014].

Retrieved from Internet: <<http://www.amazon.com/Rode-NT2000-Vocal-Condenser-Microphone/dp/B00030665K>>.\*

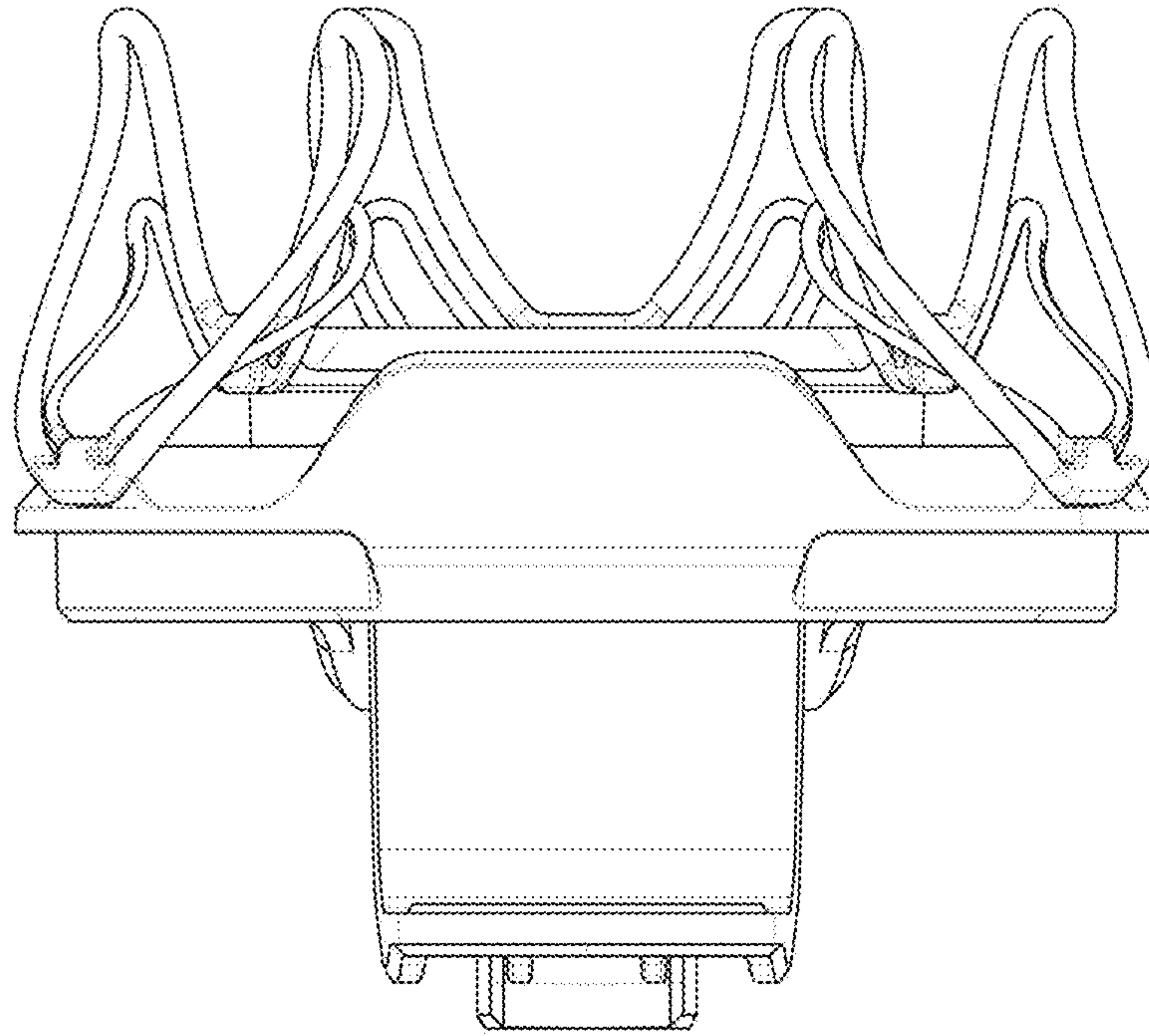
Rode Unveils NT1 Updated Flagship Studio Microphone. prosoundweb.com(online). 3 Pages. Uploaded Oct. 31, 2013 [retrieved on Dec. 30, 2014]. Retrieved from Internet: <[http://www.prosoundweb.com/article/rde\\_unveils\\_nt1\\_updated\\_flagship\\_studio\\_microphone/](http://www.prosoundweb.com/article/rde_unveils_nt1_updated_flagship_studio_microphone/)>.\*

Rode SM2 Elastic Suspension Microphone Shock Mount. bhphotovideo.com (online). 5 Pages. Uploaded as early as Feb. 16, 2009 [retrieved on Dec. 30, 2014]. Retrieved from Internet: <[http://www.bhphotovideo.com/c/product/239172-REG/Rode\\_SM2\\_SM2\\_Elastic\\_Suspension\\_Microphone.html](http://www.bhphotovideo.com/c/product/239172-REG/Rode_SM2_SM2_Elastic_Suspension_Microphone.html)>.\*

\* cited by examiner

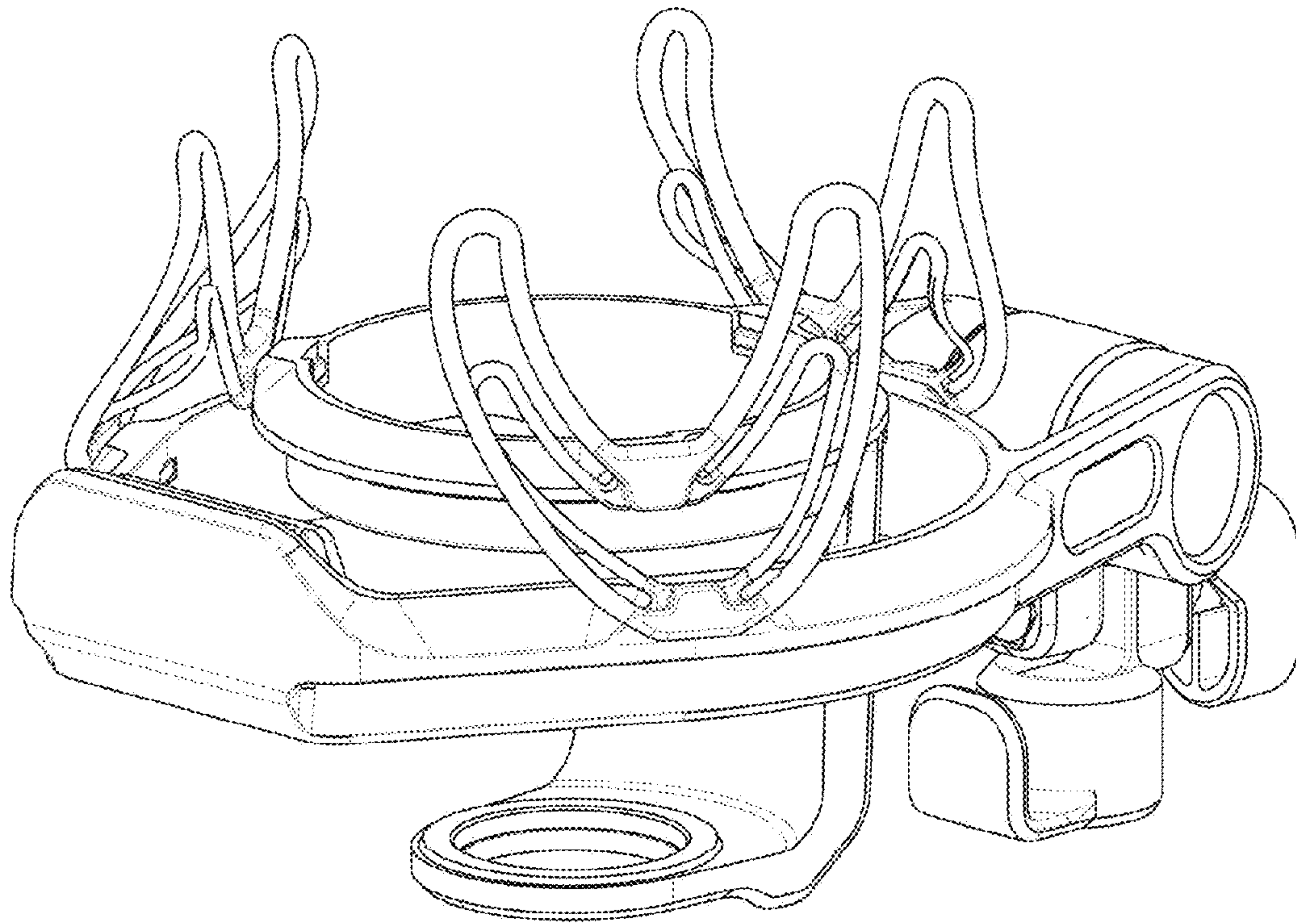


**FIG. 1**

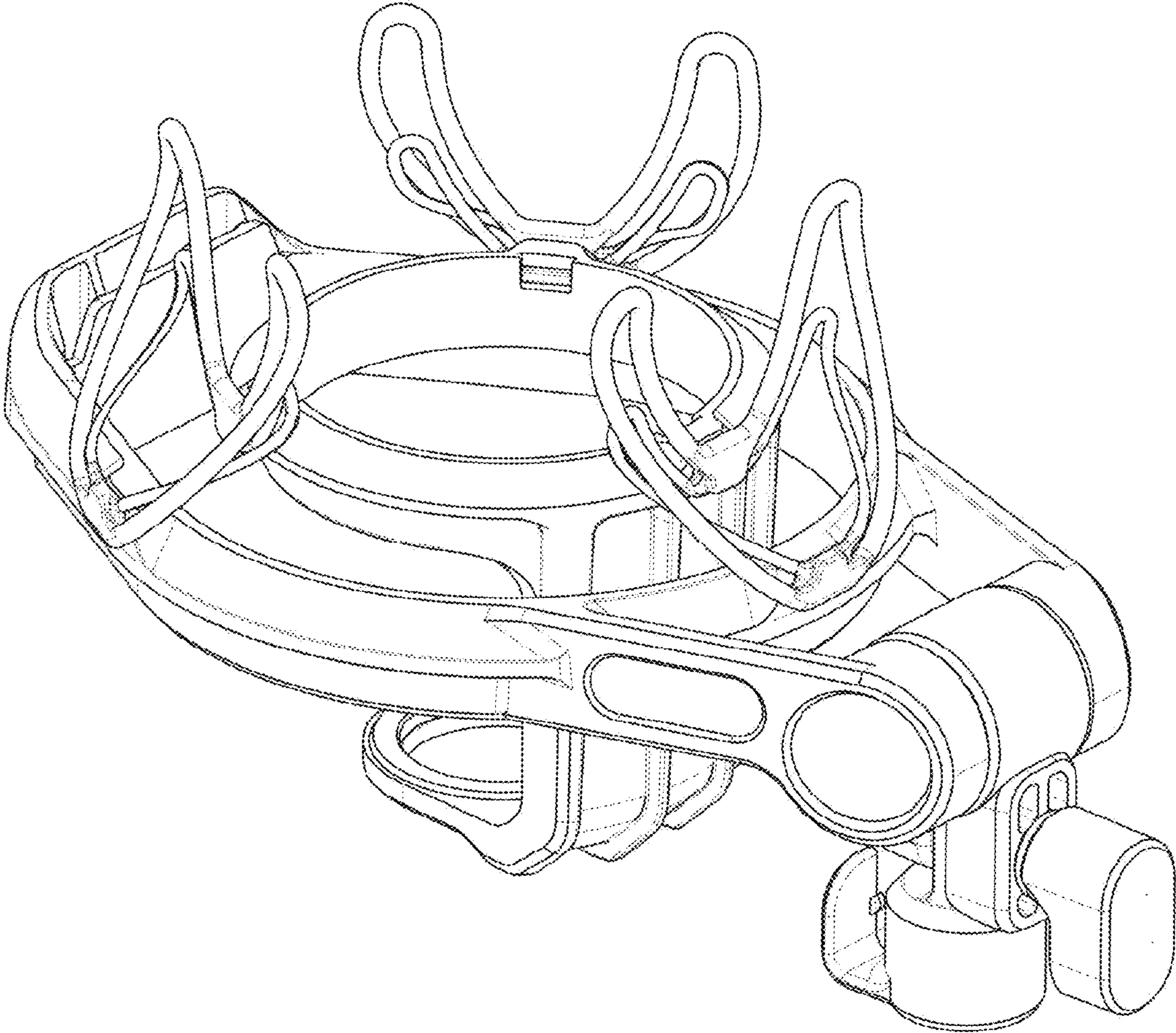


**FIG. 2**

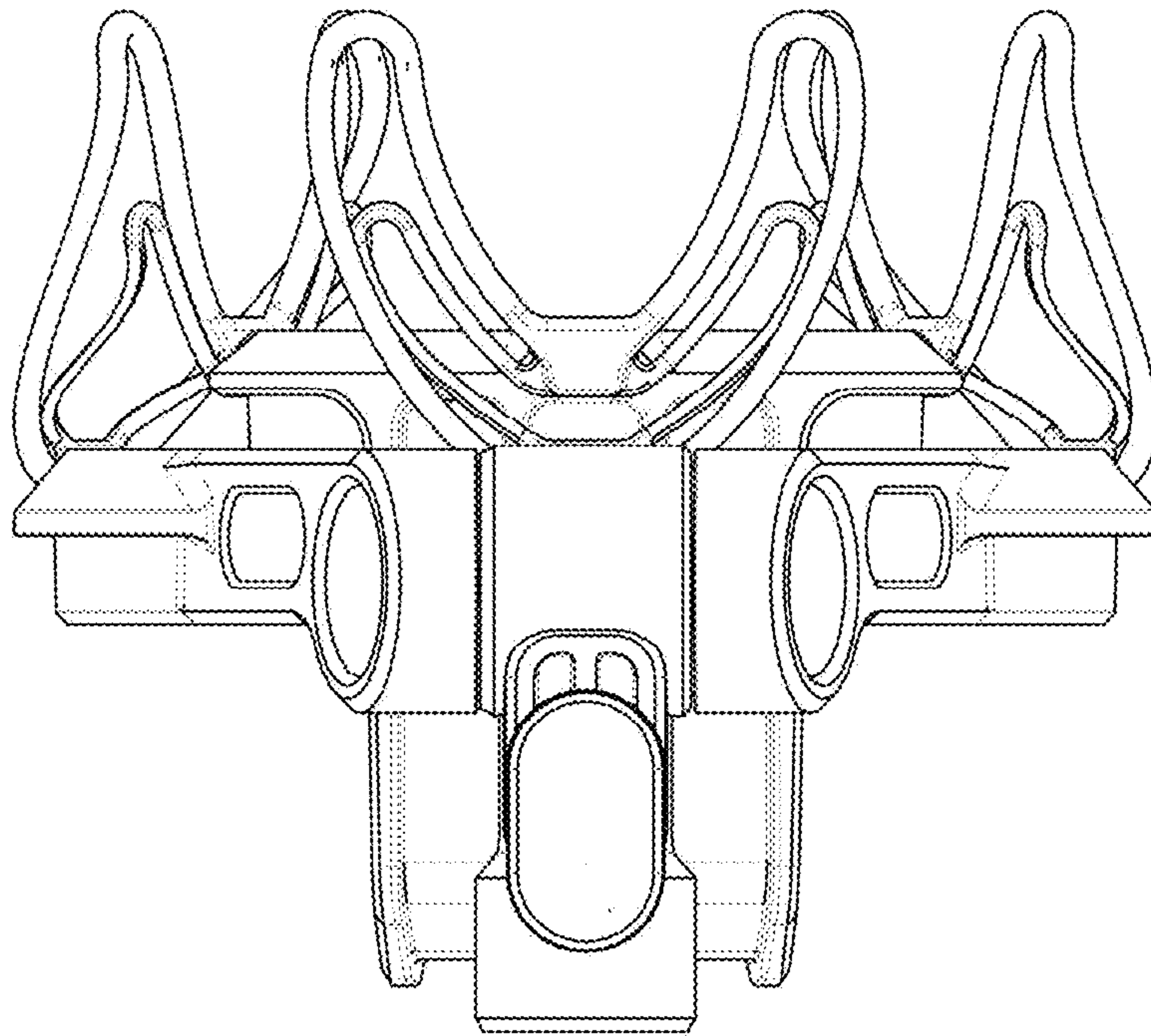




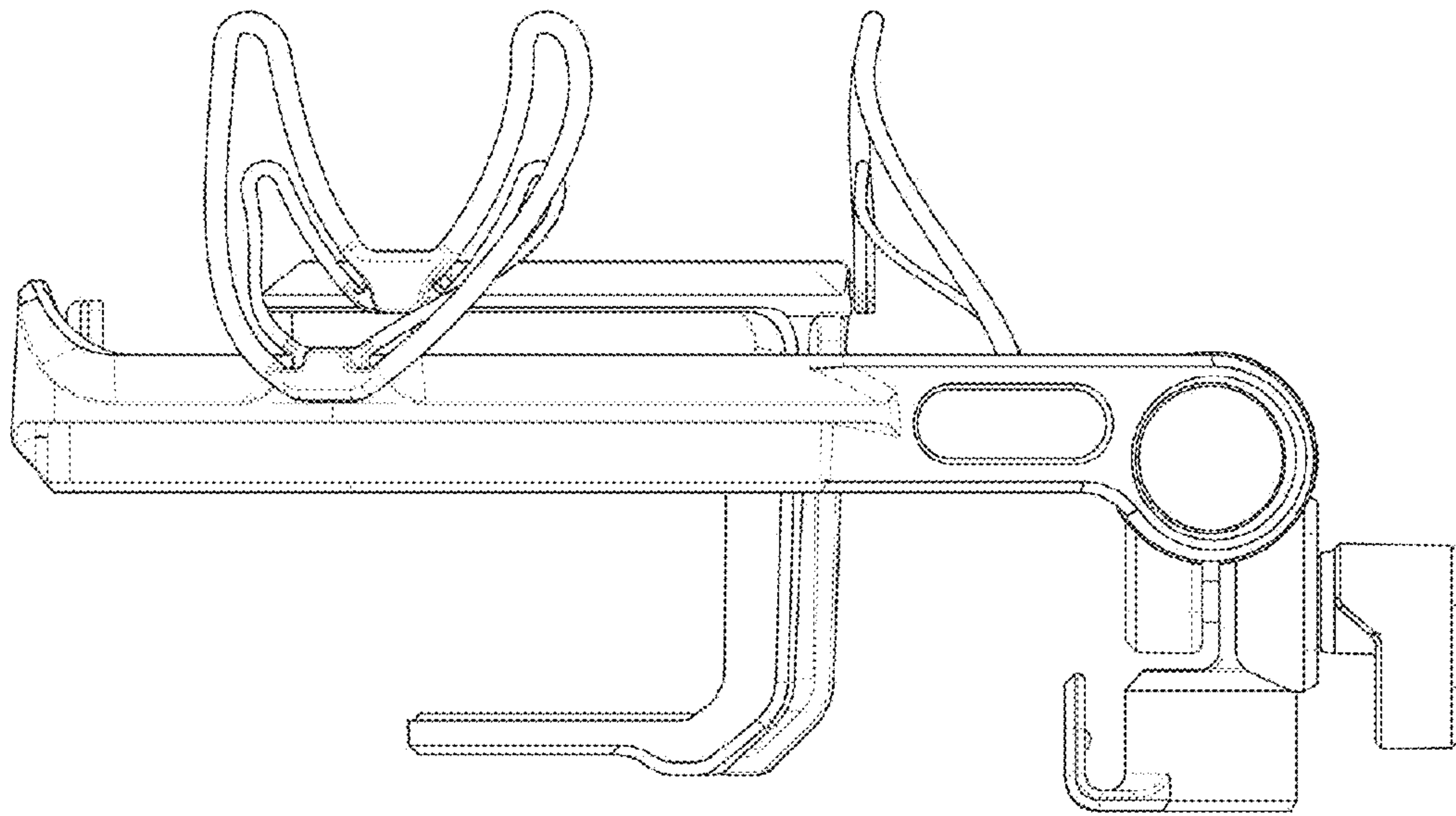
**FIG. 3**



**FIG. 4**

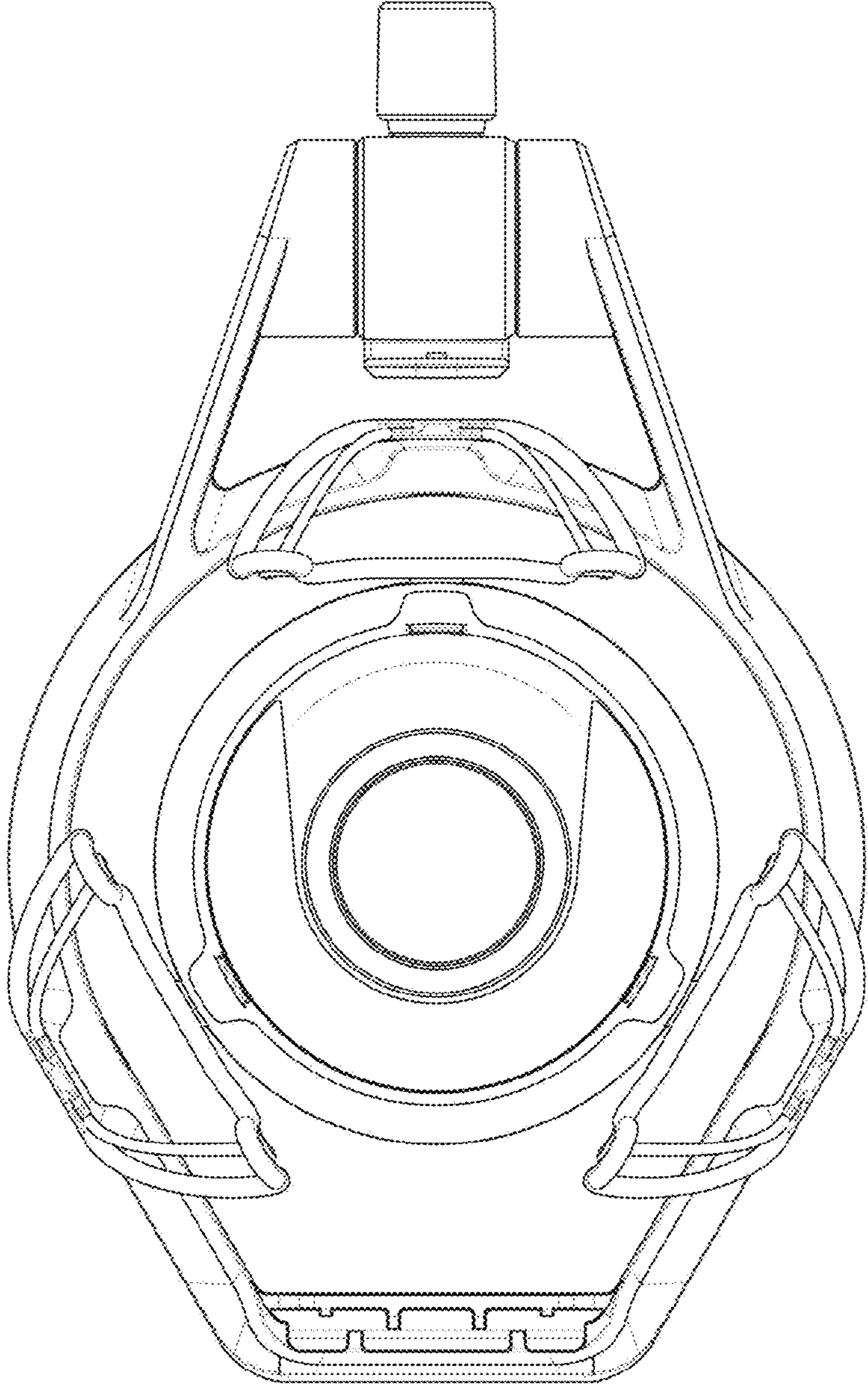


**FIG. 5**



**FIG. 6**





**FIG. 7**