

US00D737252S

(12) **United States Design Patent**
Fereday et al.

(10) **Patent No.:** **US D737,252 S**
(45) **Date of Patent:** **** Aug. 25, 2015**

(54) **MICROPHONE**

(71) Applicant: **Freedman Electronics Pty Limited**,
Silverwater NSW (AU)

(72) Inventors: **Tom Ferghana Rogers Fereday**,
Silverwater NSW (AU); **Sun Kyung**
Sunwoo, Silverwater NSW (AU)

(73) Assignee: **Freedman Electronics Pty Limited**,
Silverwater, New South Wales (AU)

(**) Term: **14 Years**

(21) Appl. No.: **29/473,543**

(22) Filed: **Nov. 22, 2013**

(30) **Foreign Application Priority Data**

Nov. 14, 2013 (AU) 15860/2013

(51) **LOC (10) Cl.** **14-01**

(52) **U.S. Cl.**
USPC **D14/225**; D14/229

(58) **Field of Classification Search**
USPC D14/224–229, 234; D16/208, 248;
D17/99, 22; D21/513; 181/158, 242;
381/26, 122, 355, 356, 361, 365, 366,
381/368, 369; 455/575.1, 90.3; D8/355,
D8/394, 396

CPC H04R 1/08; H04R 1/083; F16F 1/46;
F16M 11/041; H01F 7/0252

See application file for complete search history.

(56) **References Cited**

U.S. PATENT DOCUMENTS

1,805,362 A * 5/1931 Ellis 381/368
D233,669 S * 11/1974 Plice D14/228
4,040,547 A * 8/1977 Dickey 224/247
4,194,096 A * 3/1980 Ramsey 381/366
4,546,950 A * 10/1985 Cech 248/610
4,577,070 A * 3/1986 Shulman 381/366

D296,099 S * 6/1988 Kubota D14/227
D302,158 S * 7/1989 Kubota D14/225
D314,325 S * 2/1991 Ziaylek et al. D8/373
D319,575 S * 9/1991 Young D8/395
D367,999 S * 3/1996 McCallum D7/620
D396,862 S * 8/1998 Morgan D14/225
D450,684 S * 11/2001 Morgan D14/226
6,459,802 B1 * 10/2002 Young 381/368
D531,019 S * 10/2006 Plumer D8/396
D553,485 S * 10/2007 Hall D8/396
D605,183 S * 12/2009 Fleischer et al. D14/227
D629,795 S * 12/2010 Wubker et al. D14/228
7,946,379 B1 * 5/2011 Frenchik 181/158

(Continued)

OTHER PUBLICATIONS

Rycote Modular Suspensions. rycote.com (online). 2 Pages.
Uploaded 2013 [retrieved on Dec. 30, 2014]. Retrieved from Internet:
<<http://www.rycote.com/producttypes/modular-suspensions/>>.*

(Continued)

Primary Examiner — Susan Bennett Hattan

Assistant Examiner — Marie Fast Horse

(74) *Attorney, Agent, or Firm* — TraskBritt, P.C.

(57) **CLAIM**

The ornamental design for a microphone, as shown and described.

DESCRIPTION

FIG. 1 is a front view of a microphone, showing our new design;

FIG. 2 is a side view of the design;

FIG. 3 is a side view of the design;

FIG. 4 is a rear view of the design;

FIG. 5 is a top view of the design;

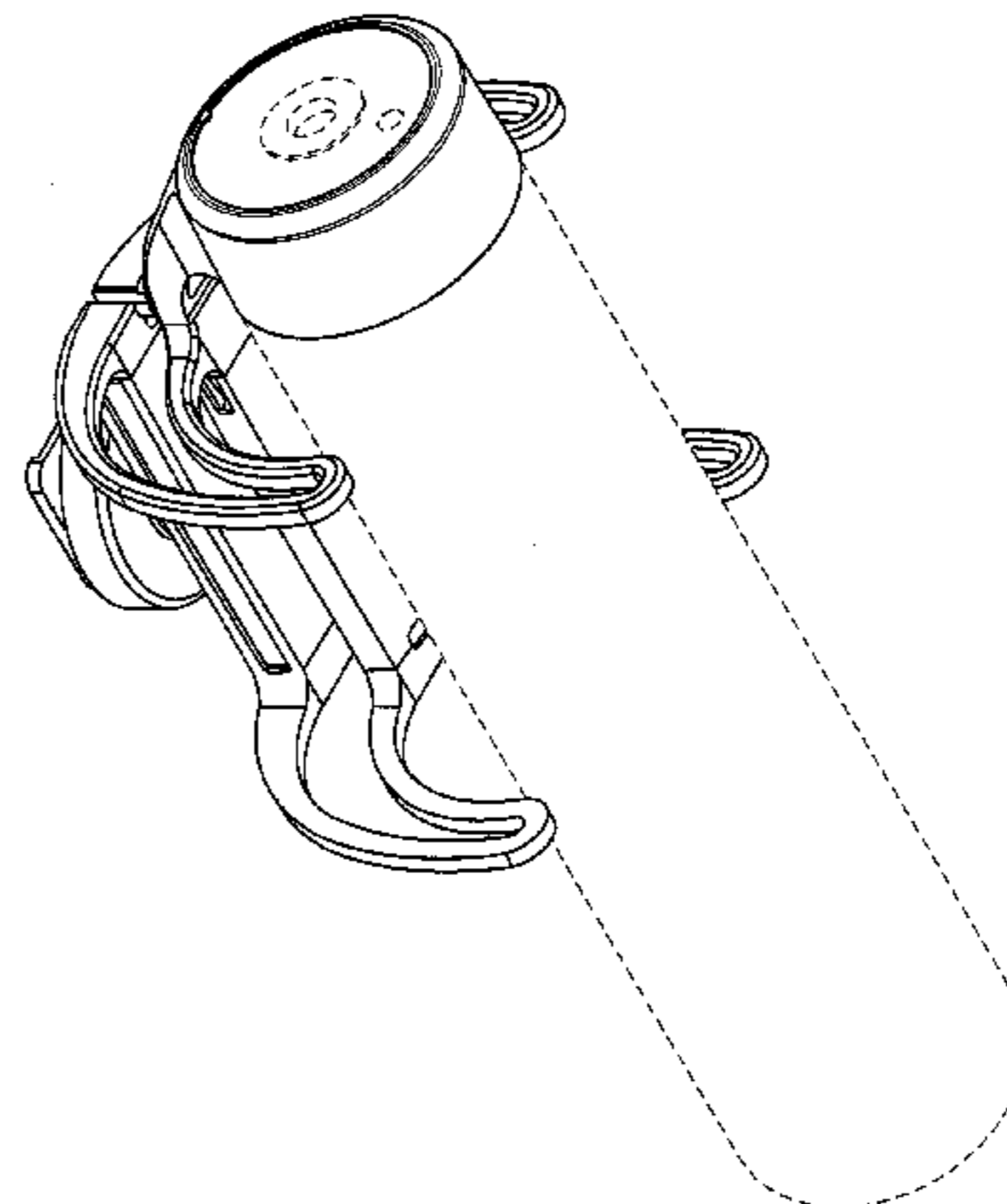
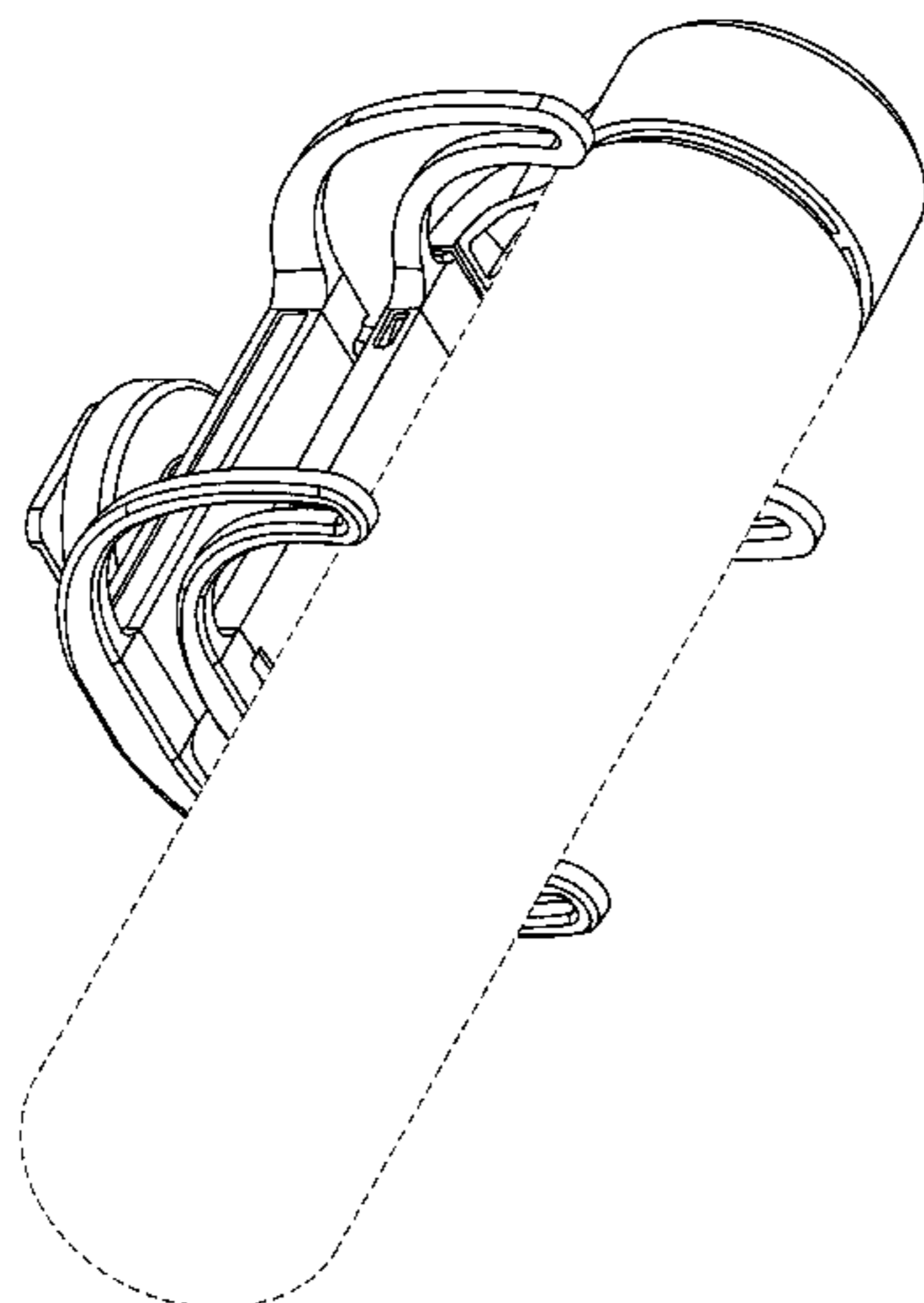
FIG. 6 is a bottom view of the design;

FIG. 7 is an isometric view of the design; and,

FIG. 8 is an isometric view of the design.

The broken lines in FIGS. 1-8 depict parts of the microphone that form no part of the claimed design.

1 Claim, 8 Drawing Sheets



(56)

References Cited

U.S. PATENT DOCUMENTS

D676,428	S *	2/2013	Trewartha et al.	D14/225
D705,761	S *	5/2014	McGovern et al.	D14/229
D707,662	S *	6/2014	Okita	D14/229
D710,831	S *	8/2014	Cooper et al.	D14/229
2006/0227991	A1 *	10/2006	Klemme	381/363
2007/0195983	A1 *	8/2007	Klemme	381/362
2009/0016558	A1 *	1/2009	Woolf et al.	381/368
2010/0239113	A1 *	9/2010	Browne	381/361
2013/0061430	A1 *	3/2013	Okita et al.	24/303
2013/0062479	A1 *	3/2013	Okita	248/176.1

OTHER PUBLICATIONS

Australian videocamera magazine(RØDE delivers on-camera audio on the GO!). rycote.com (online/magazine issue#47). p. 12 of 49. Uploaded Nov 18, 2013 [retrieved on Dec. 30, 2014]. Retrieved from

Internet: <<http://australian-videocamera.com/issue-printer/nov2013>>.*

Rode VideoMic with Rycote Lyre Suspension System. bhphotovideo.com (online). 2 Pages. Uploaded Mar. 12, 2013 [retrieved on Dec. 30, 2014]. Retrieved from Internet: <http://www.bhphotovideo.com/c/product/917425-REG/rode_videomic_r_videomic_with_rycote_lyre.html>.*

Rycote INV-7 InVision Microphone Suspension for Stand and Boompole Mounting. bhphotovideo.com (online). 7 Pages. Uploaded Nov. 25, 2008 [retrieved on Dec. 30, 2014]. Retrieved from Internet: <http://www.bhphotovideo.com/c/product/554999-REG/Rycote_041107_INV_7_InVision_Indoor_Microphone.html>.*

Videomic Pro Shockmount. dvinfo.net (online forum). 1 Pages. Uploaded Oct. 2008 [retrieved on Dec. 30, 2014]. Retrieved from Internet: <<http://www.dvinfo.net/forum/all-things-audio/509637-do-any-other-rode-lovers-hate-videomic-pro-shockmount.html>>.*

* cited by examiner

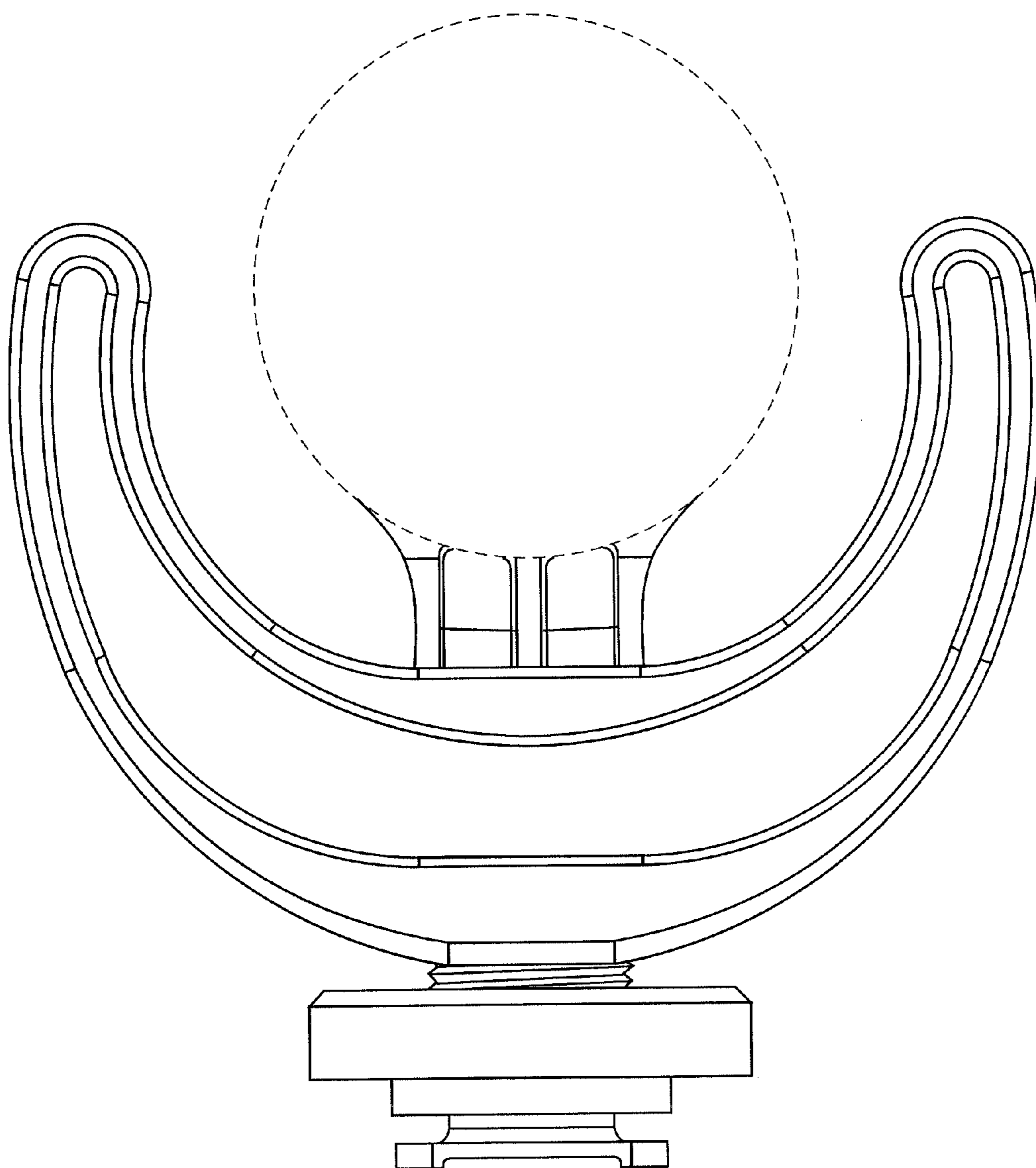


FIG. 1

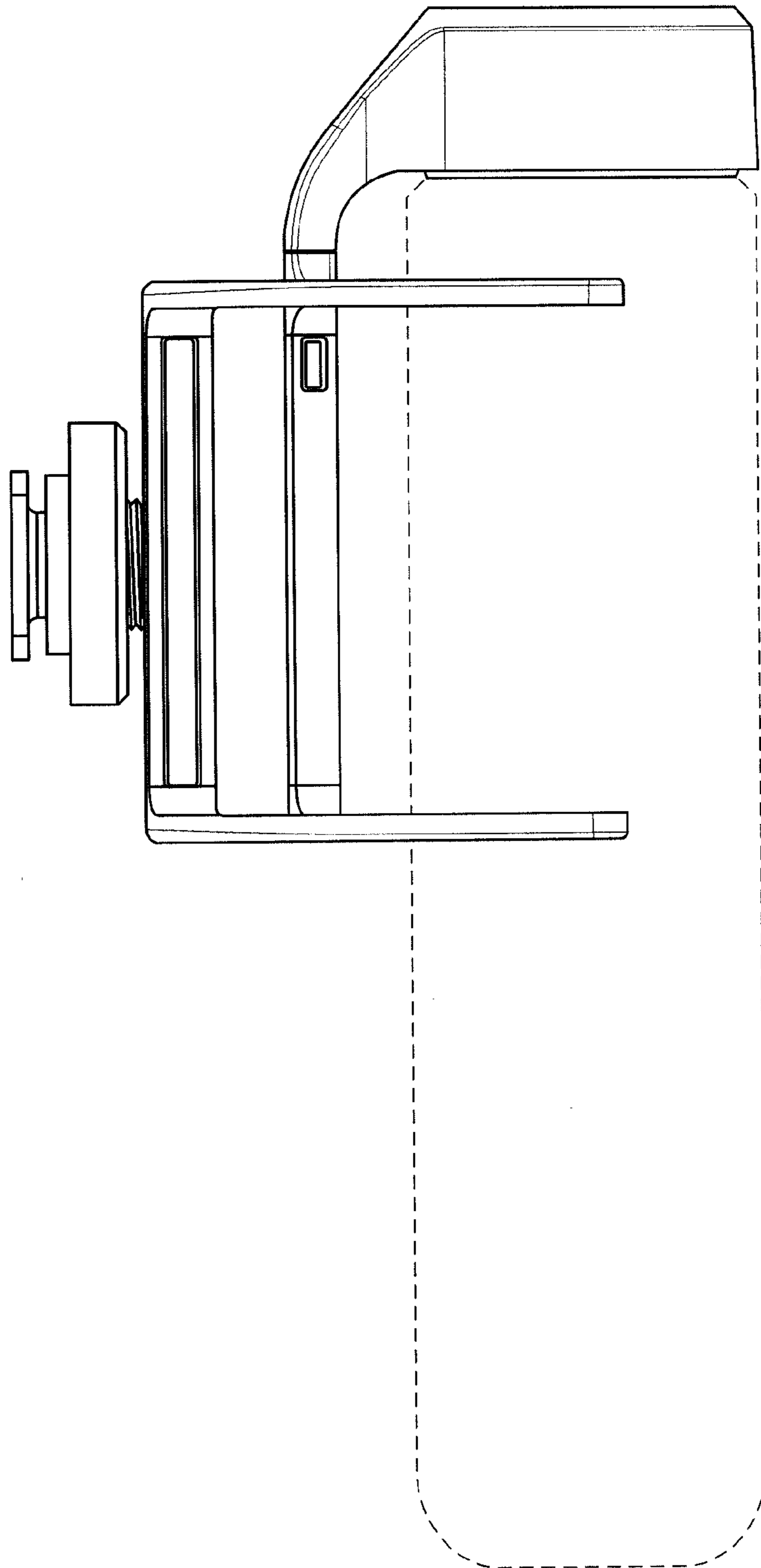


FIG. 2

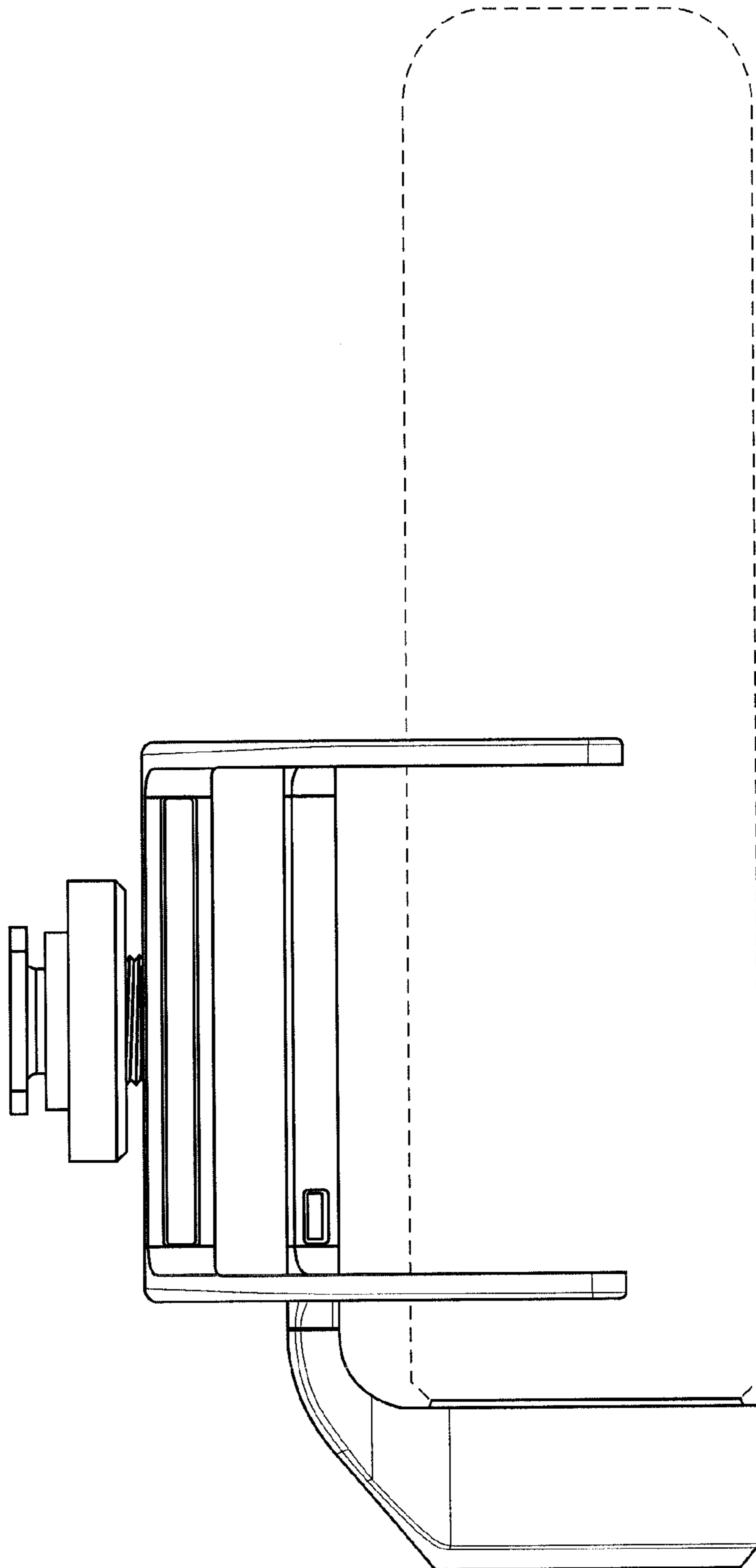


FIG. 3

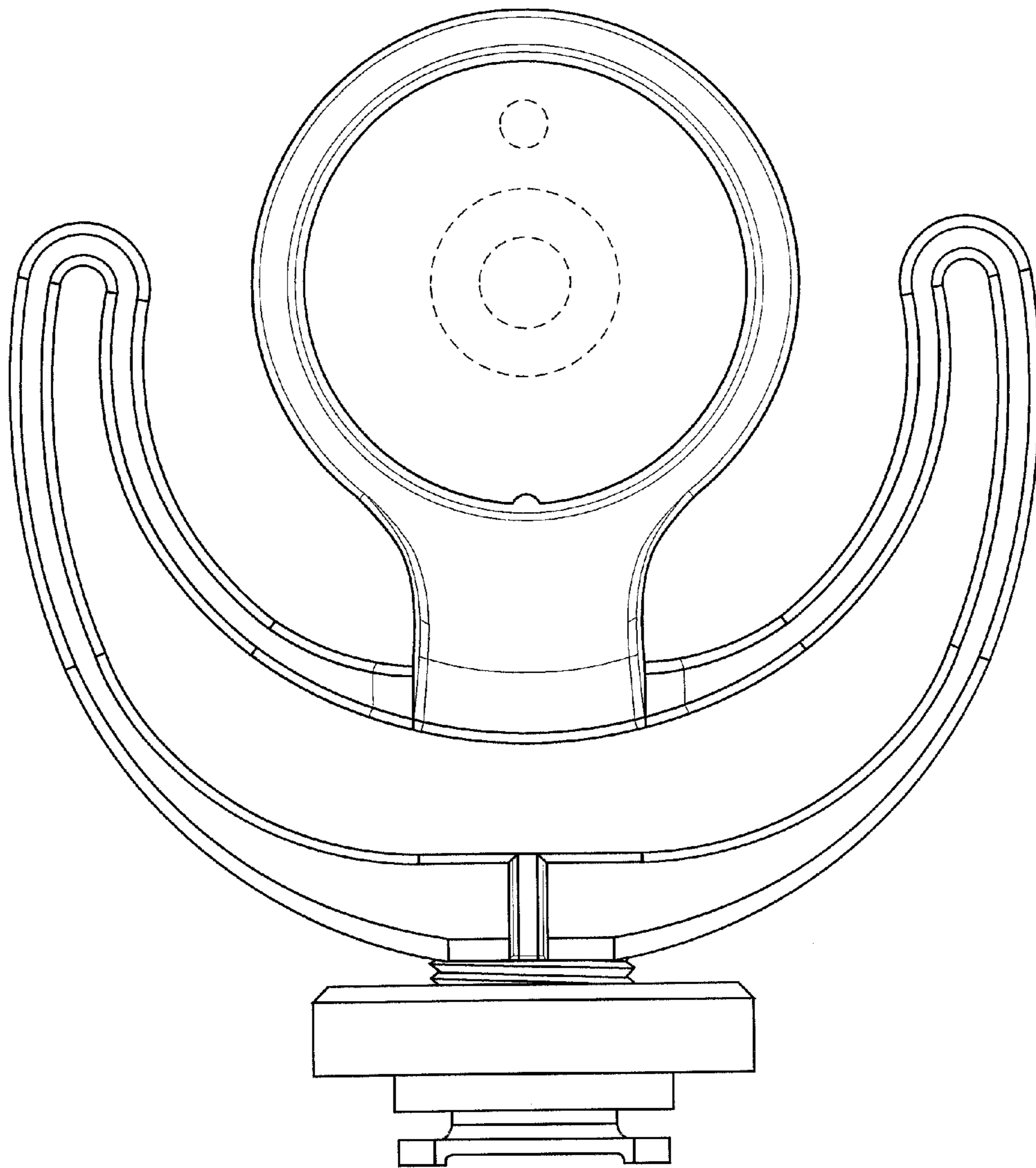


FIG. 4

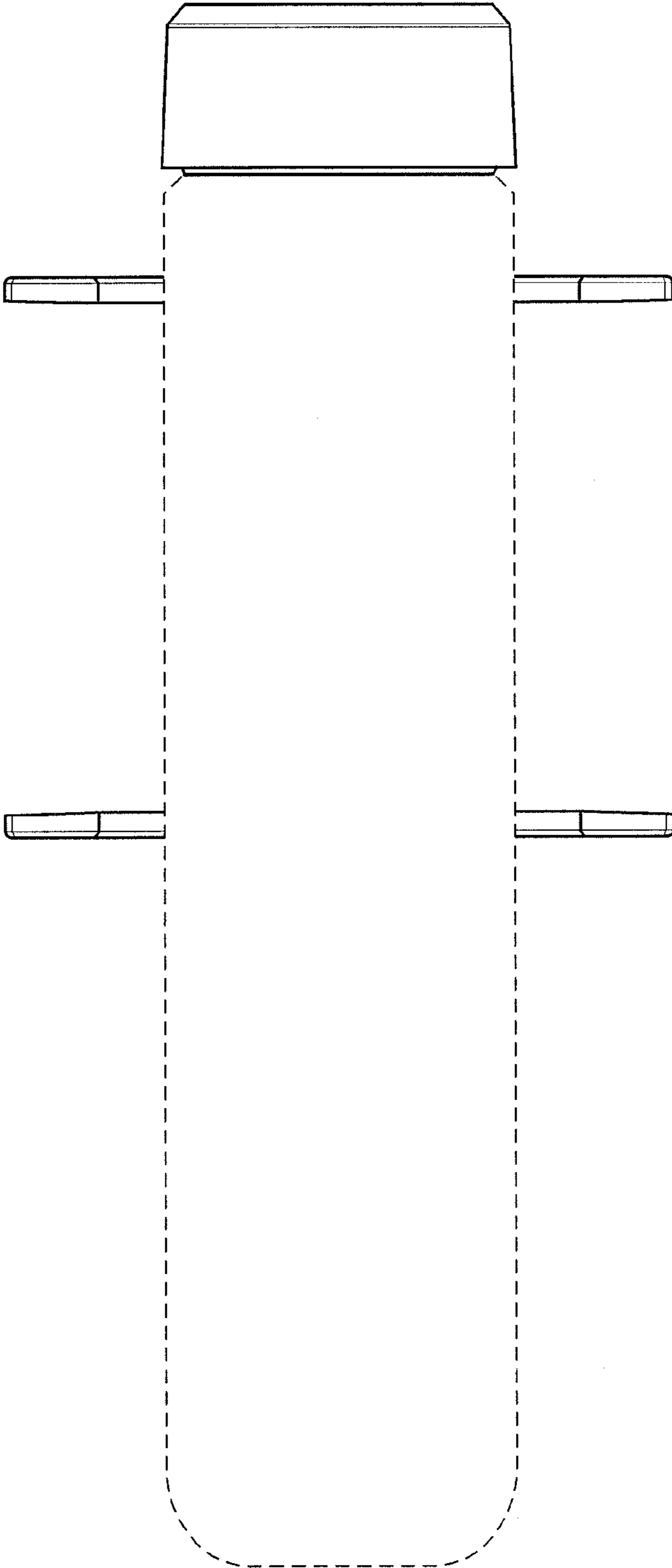


FIG. 5

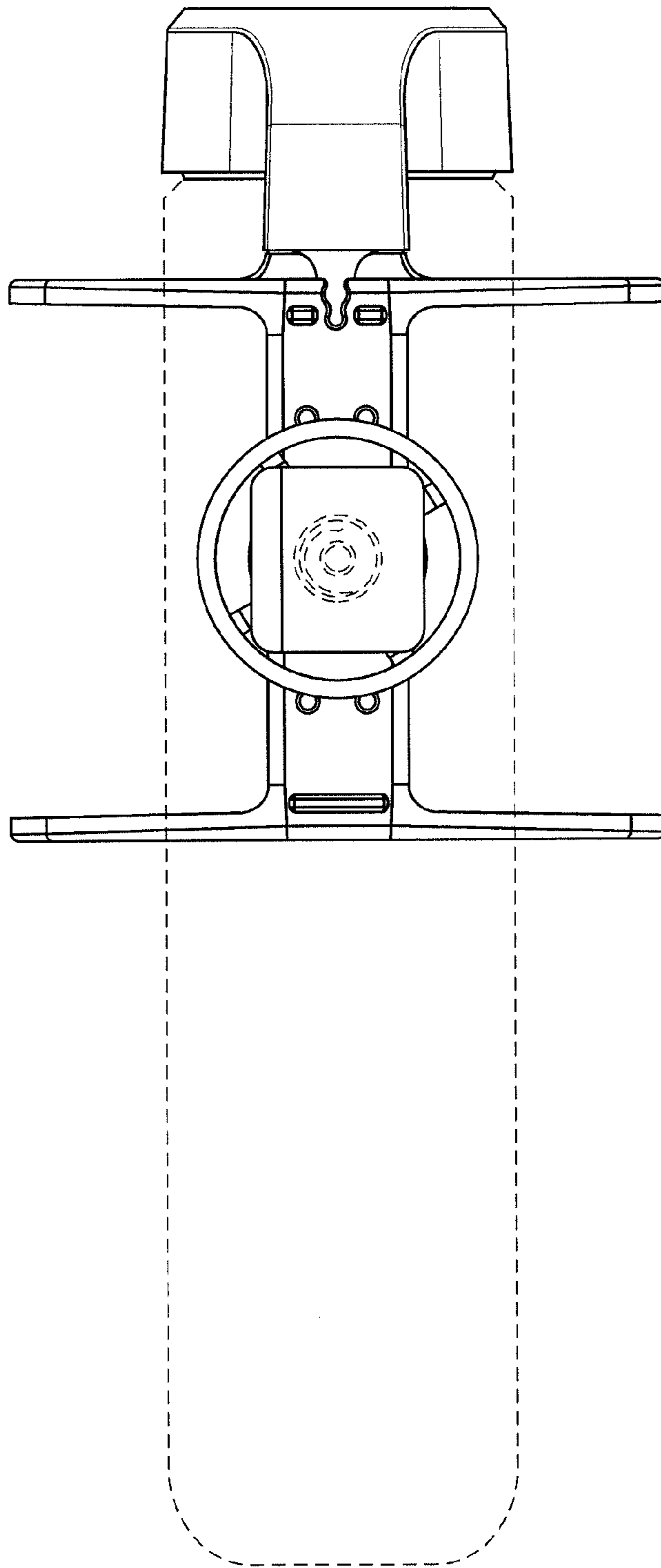


FIG. 6

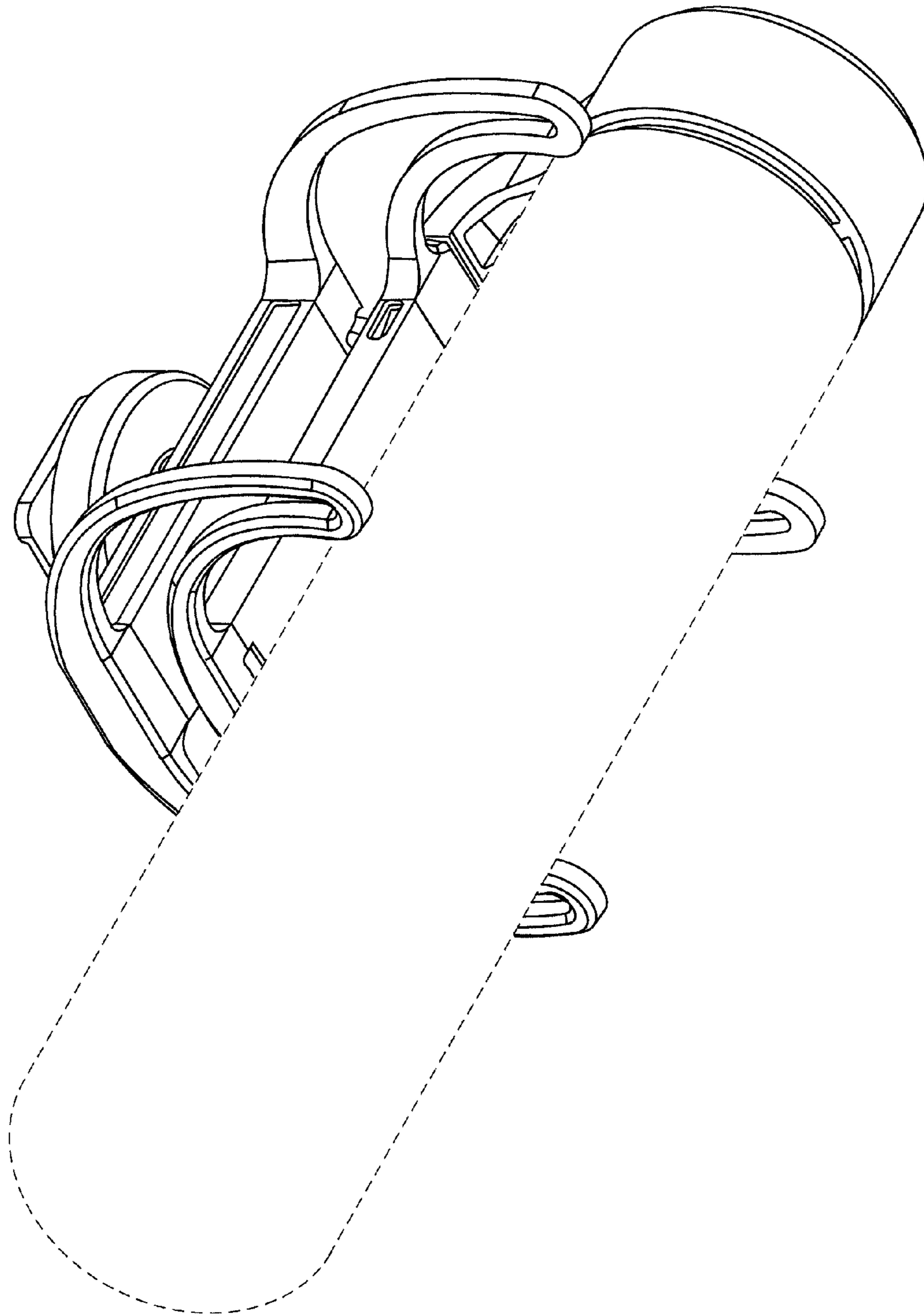


FIG. 7

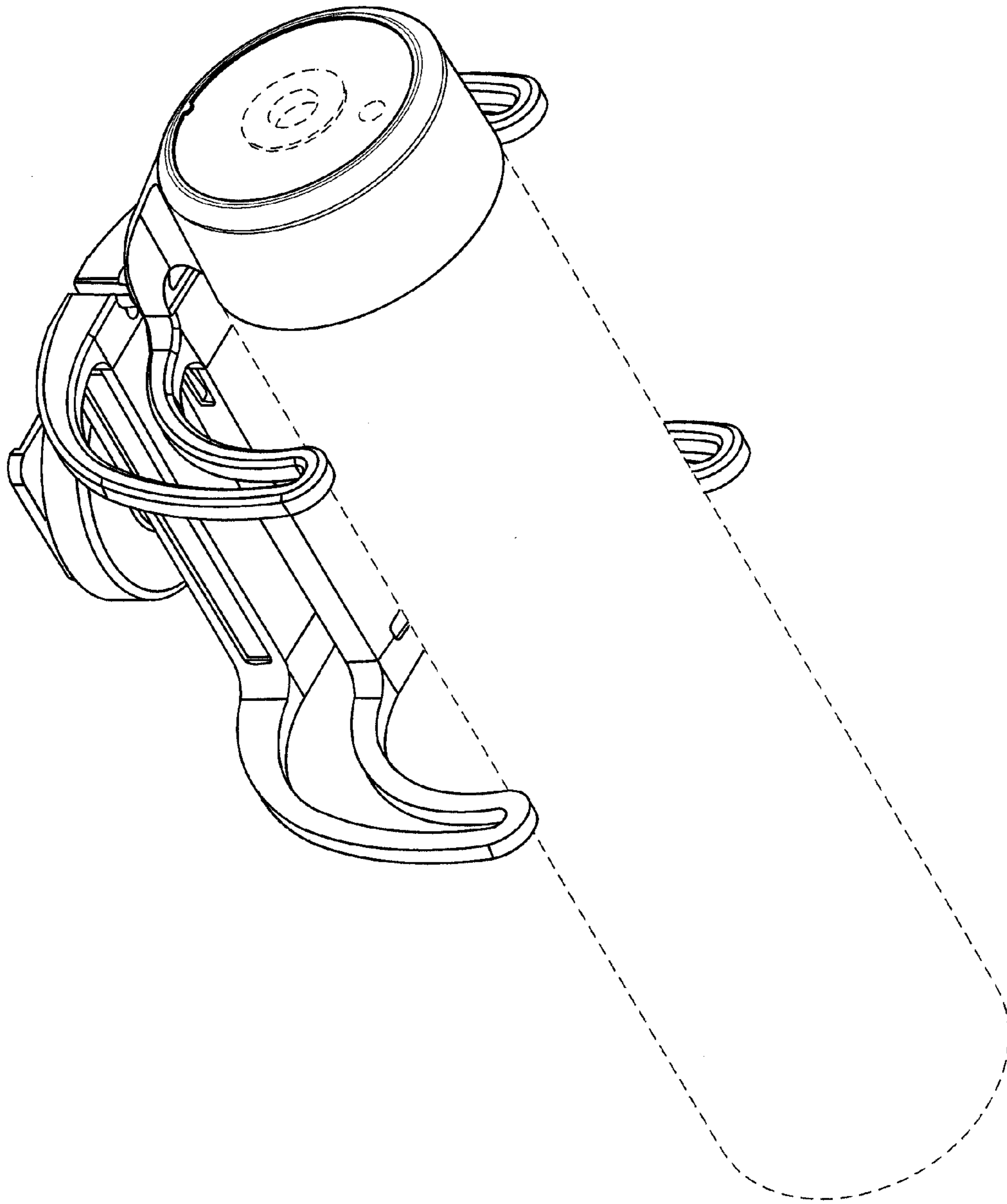


FIG. 8