



US00D737251S

(12) **United States Design Patent**  
**Thompson et al.**

(10) **Patent No.:** **US D737,251 S**

(45) **Date of Patent:** **\*\* \*Aug. 25, 2015**

(54) **PAIR OF HEADPHONES**

(75) Inventors: **David Matthew Thompson**, Hamersley (AU); **Matthew Rowett**, East Fremantle (AU); **Iain Finlay**, Port Macquarie (AU)

(73) Assignee: **AUDIOFLY PTY LTD** (AU)

(\*) Notice: This patent is subject to a terminal disclaimer.

(\*\*) Term: **14 Years**

(21) Appl. No.: **29/424,871**

(22) Filed: **Jun. 15, 2012**

(30) **Foreign Application Priority Data**

Dec. 16, 2011 (AU) ..... 15824/2011

(51) **LOC (10) Cl.** ..... **14-01**

(52) **U.S. Cl.**  
USPC ..... **D14/223**

(58) **Field of Classification Search**  
USPC ..... D14/223; 181/129, 130, 135; 379/430, 379/431; 381/380, 381; 455/90.3, 575.1; D24/174

CPC ..... H04R 1/10  
See application file for complete search history.

(56) **References Cited**

**U.S. PATENT DOCUMENTS**

D287,280 S \* 12/1986 Topholm ..... D24/174  
D287,764 S \* 1/1987 Topholm ..... D24/174  
D287,765 S \* 1/1987 Topholm ..... D24/174  
D574,814 S \* 8/2008 Hammond ..... D14/223  
D579,006 S \* 10/2008 Kim et al. .... D14/223

D588,111 S \* 3/2009 Komiyama ..... D14/223  
D603,380 S \* 11/2009 Hutchieson ..... D14/223  
D625,709 S \* 10/2010 Yamamoto ..... D14/223  
D626,117 S \* 10/2010 Lowry ..... D14/223  
D631,470 S \* 1/2011 Yoneyama et al. .... D14/223  
D637,182 S \* 5/2011 Lee et al. .... D14/223  
D643,414 S \* 8/2011 Lee et al. .... D14/223  
D652,822 S \* 1/2012 Lee et al. .... D14/223

(Continued)

*Primary Examiner* — Paula Greene

(74) *Attorney, Agent, or Firm* — Lewis B. Sternfels

(57) **CLAIM**

The ornamental design for a pair of headphones, as shown and described.

**DESCRIPTION**

FIG. 1 depicts a back elevational/isometric view of the right ear bud;

FIG. 2 depicts a front view of the right ear bud;

FIG. 3 depicts a back view of the right ear bud;

FIG. 4 depicts a right side view of the right ear bud;

FIG. 5 depicts a left side view of the right ear bud;

FIG. 6 depicts a top view of the right ear bud;

FIG. 7 depicts a bottom view of the right ear bud;

FIG. 8 depicts a front elevational/isometric view of the left ear bud;

FIG. 9 depicts a back view of the left ear bud;

FIG. 10 depicts a front view of the left ear bud;

FIG. 11 depicts a right side view of the left ear bud;

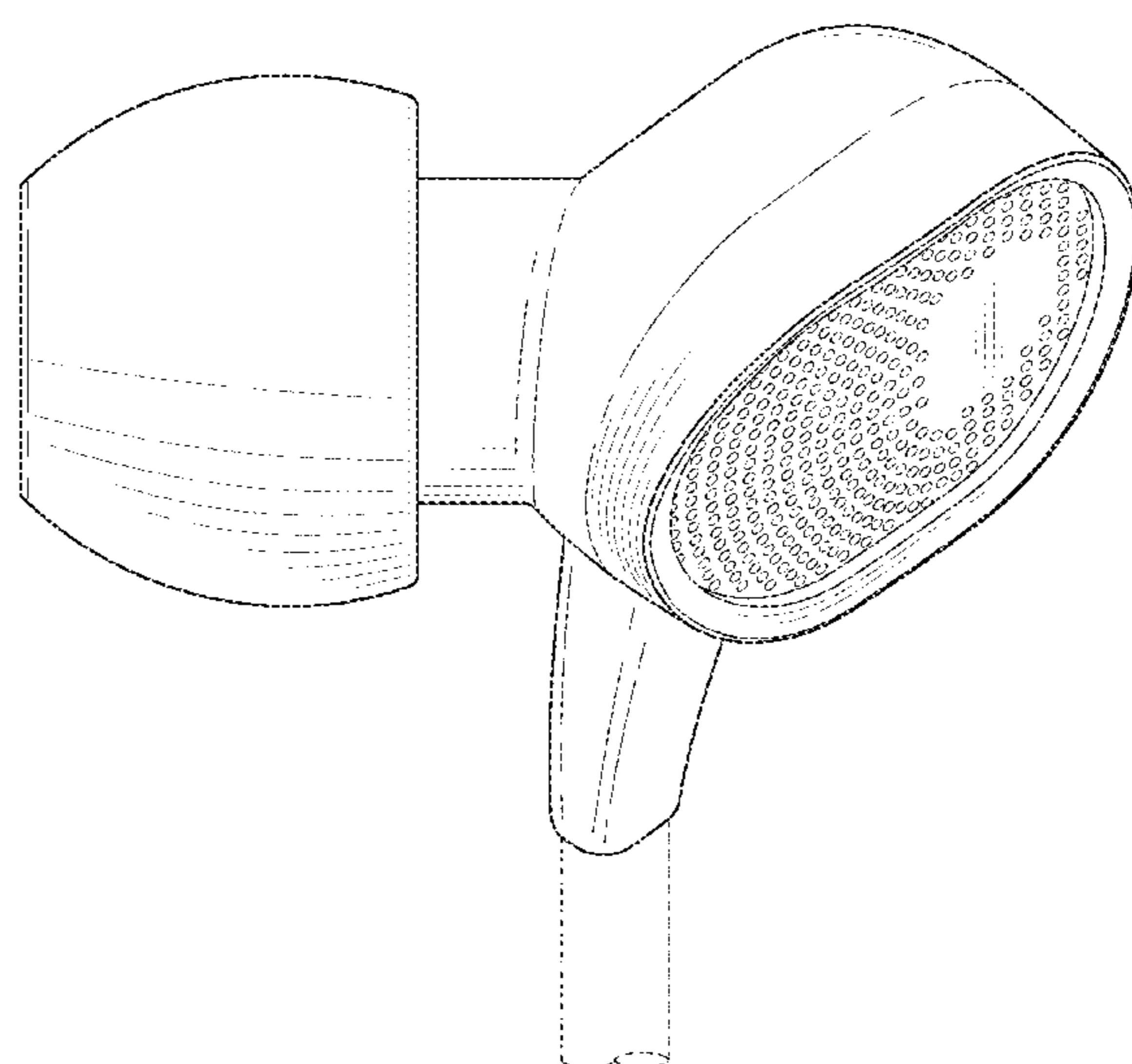
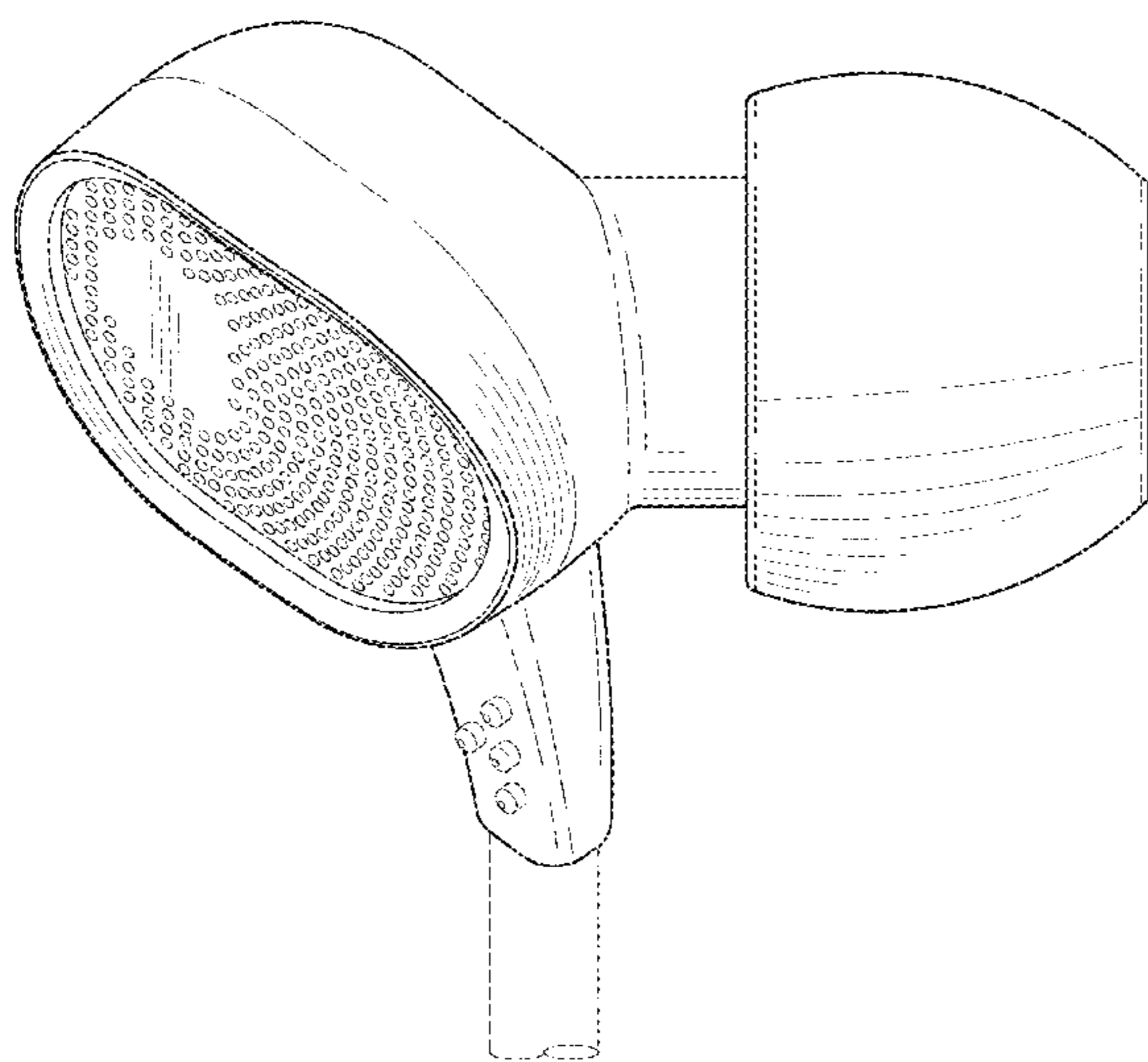
FIG. 12 depicts a left side view of the left ear bud;

FIG. 13 depicts a top view of the left ear bud; and,

FIG. 14 depicts a bottom view of the left ear bud.

The features shown in broken lines are not part of the invention.

**1 Claim, 8 Drawing Sheets**



# US D737,251 S

Page 2

---

(56)

## References Cited

### U.S. PATENT DOCUMENTS

D666,581 S *	9/2012	Perez	.....	D14/223
8,406,448 B2 *	3/2013	Lin et al.	.....	381/380
D718,745 S *	12/2014	Thompson et al.	.....	D14/223
D660,292 S *	5/2012	Rautiainen	.....	D14/223

\* cited by examiner

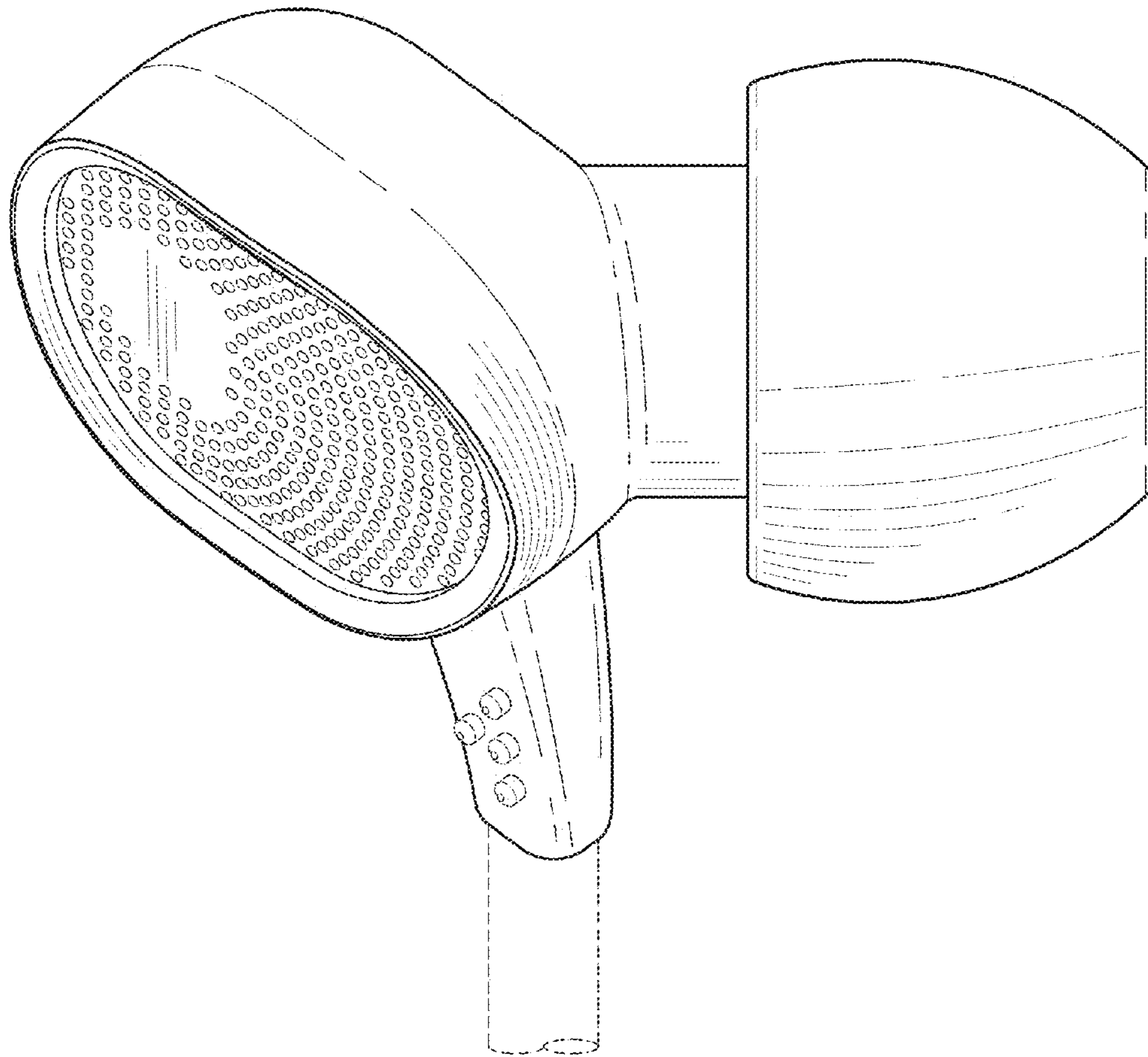


FIG. 1

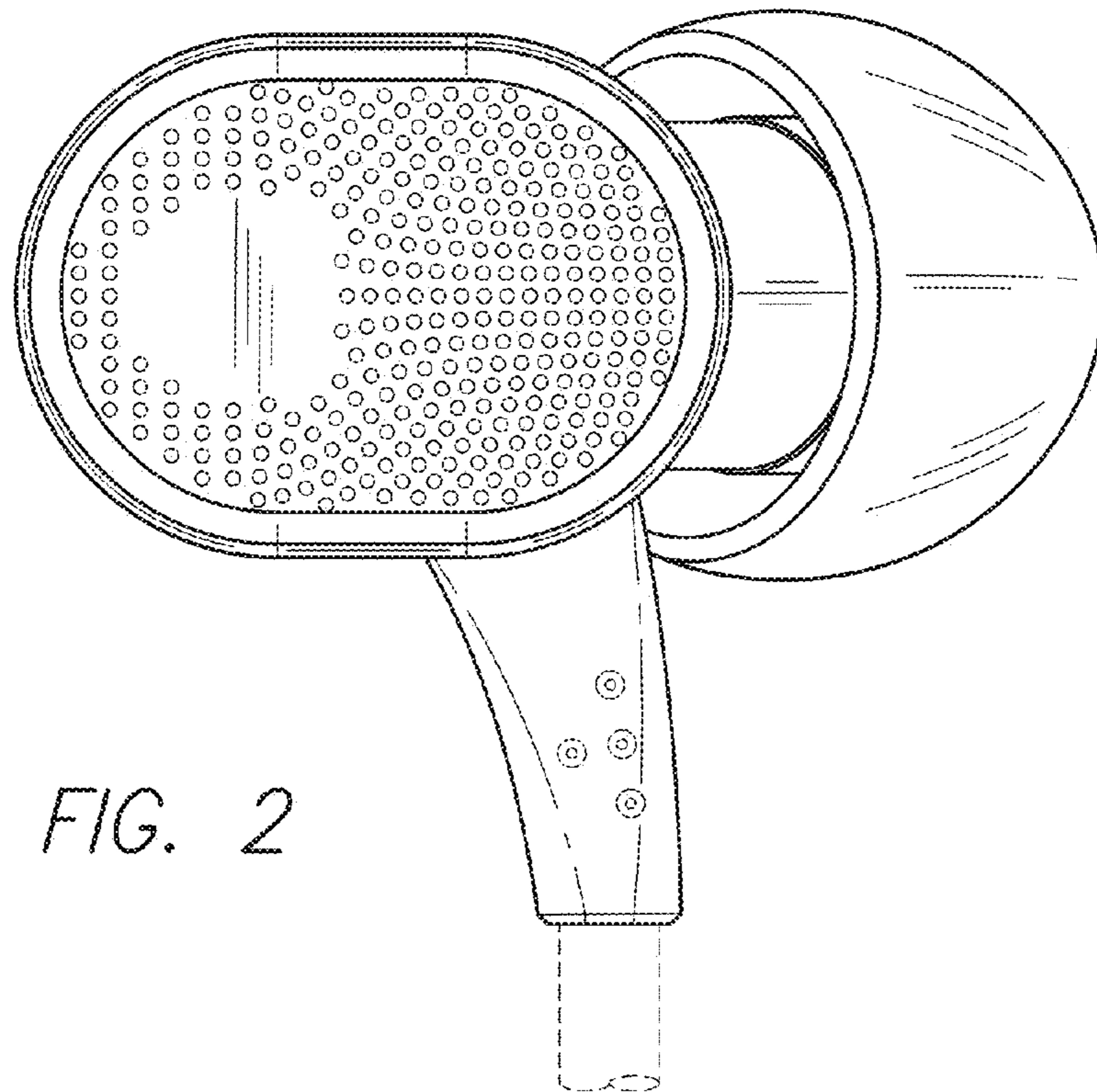


FIG. 2

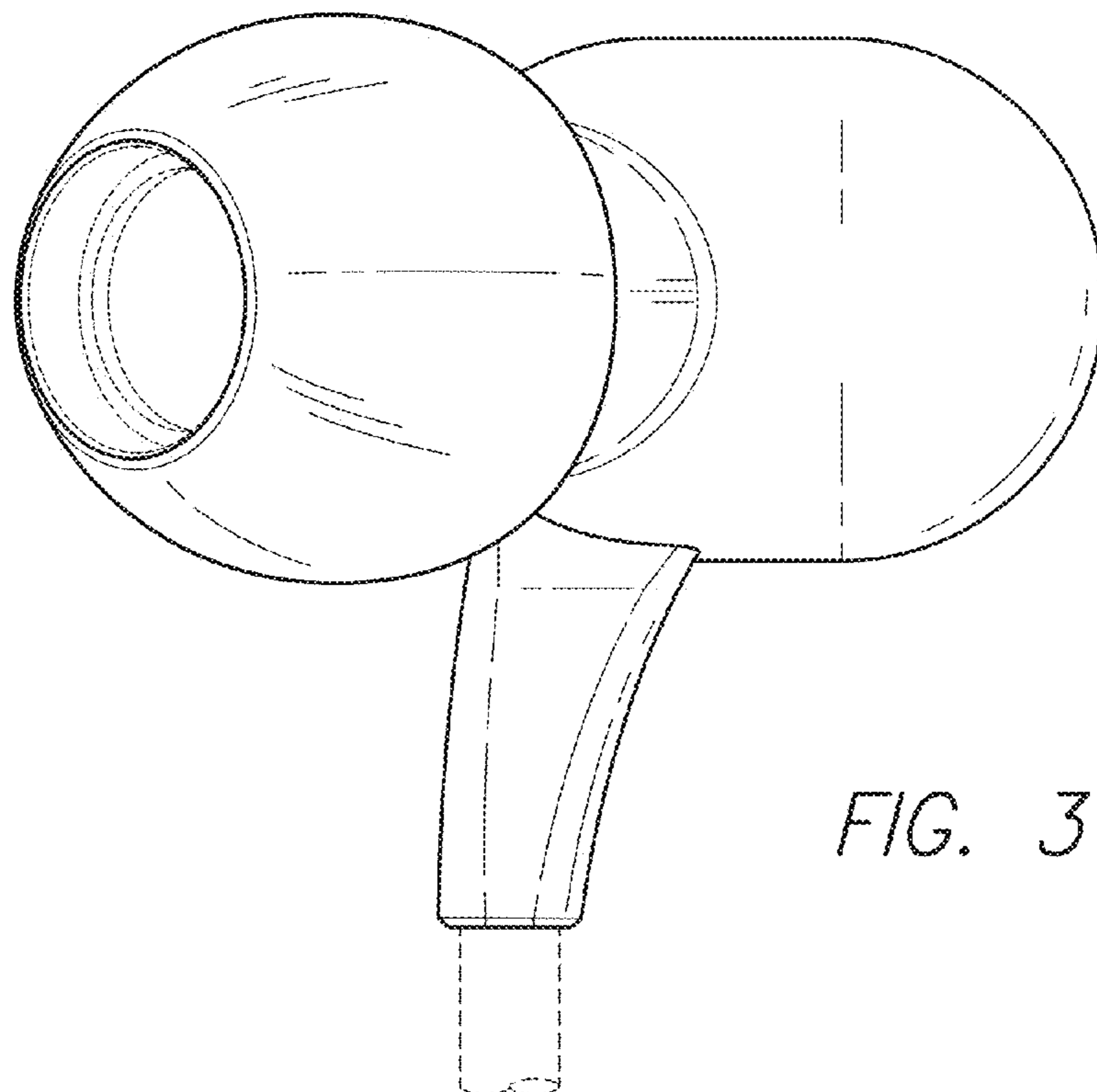


FIG. 3

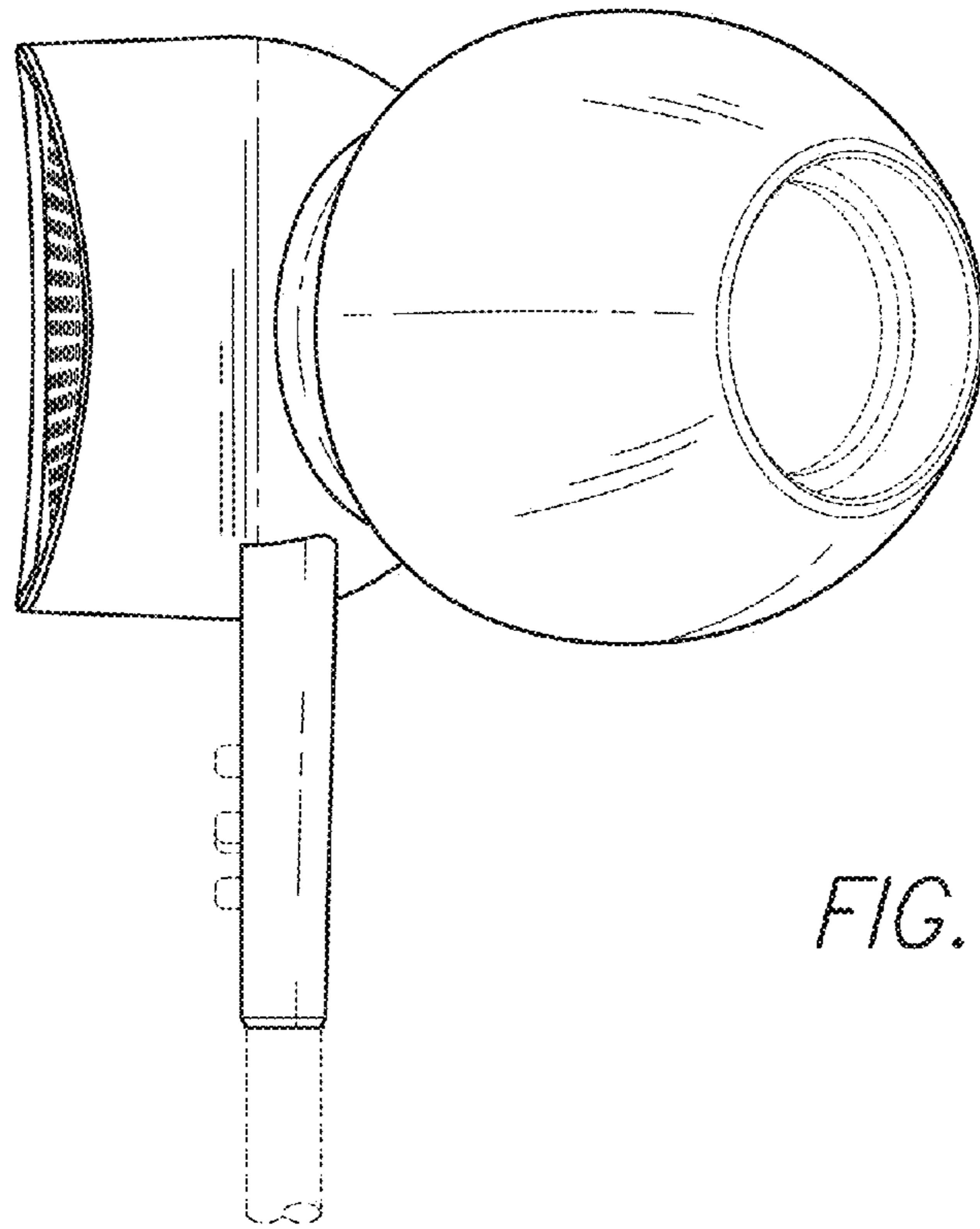


FIG. 4

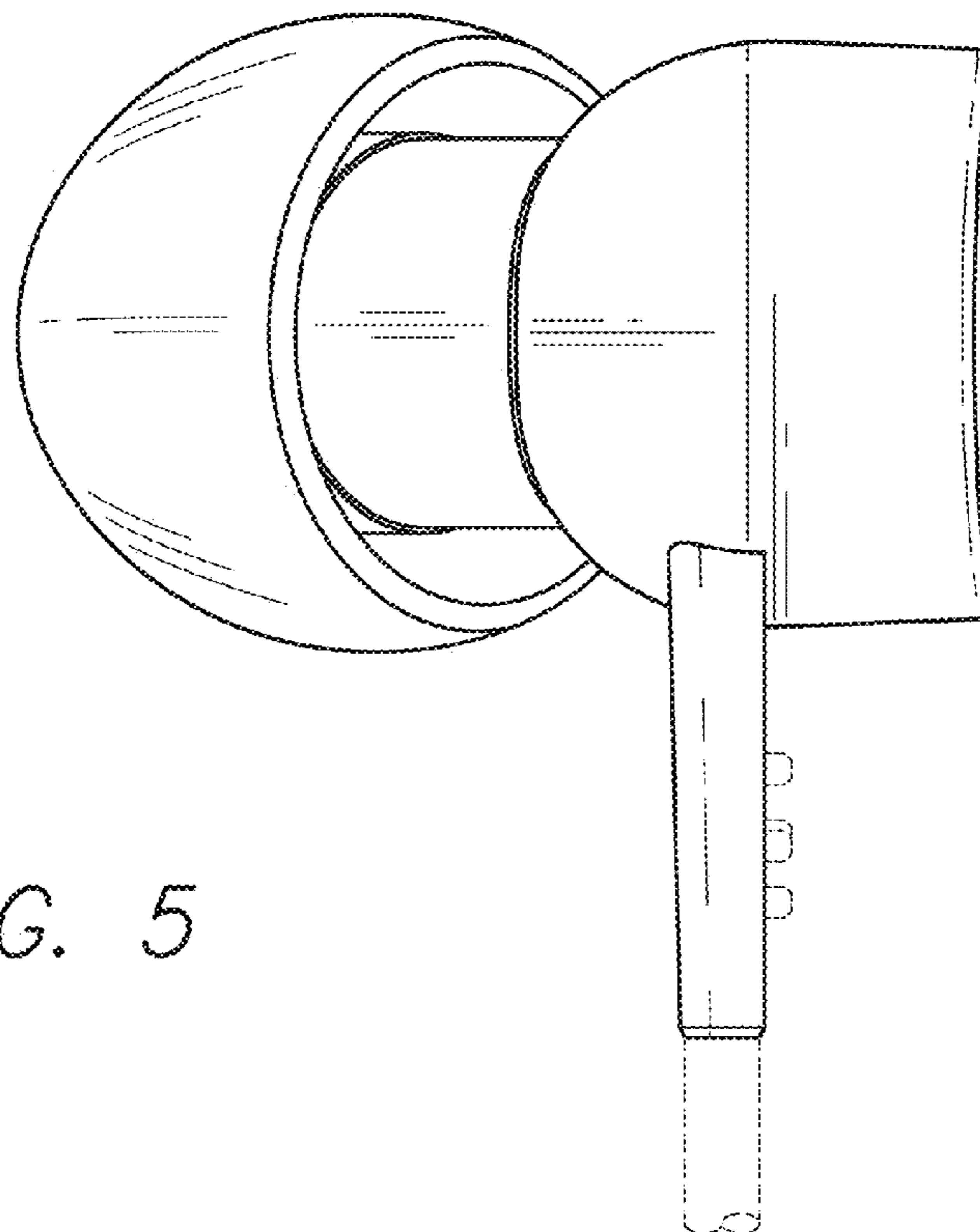


FIG. 5

FIG. 6

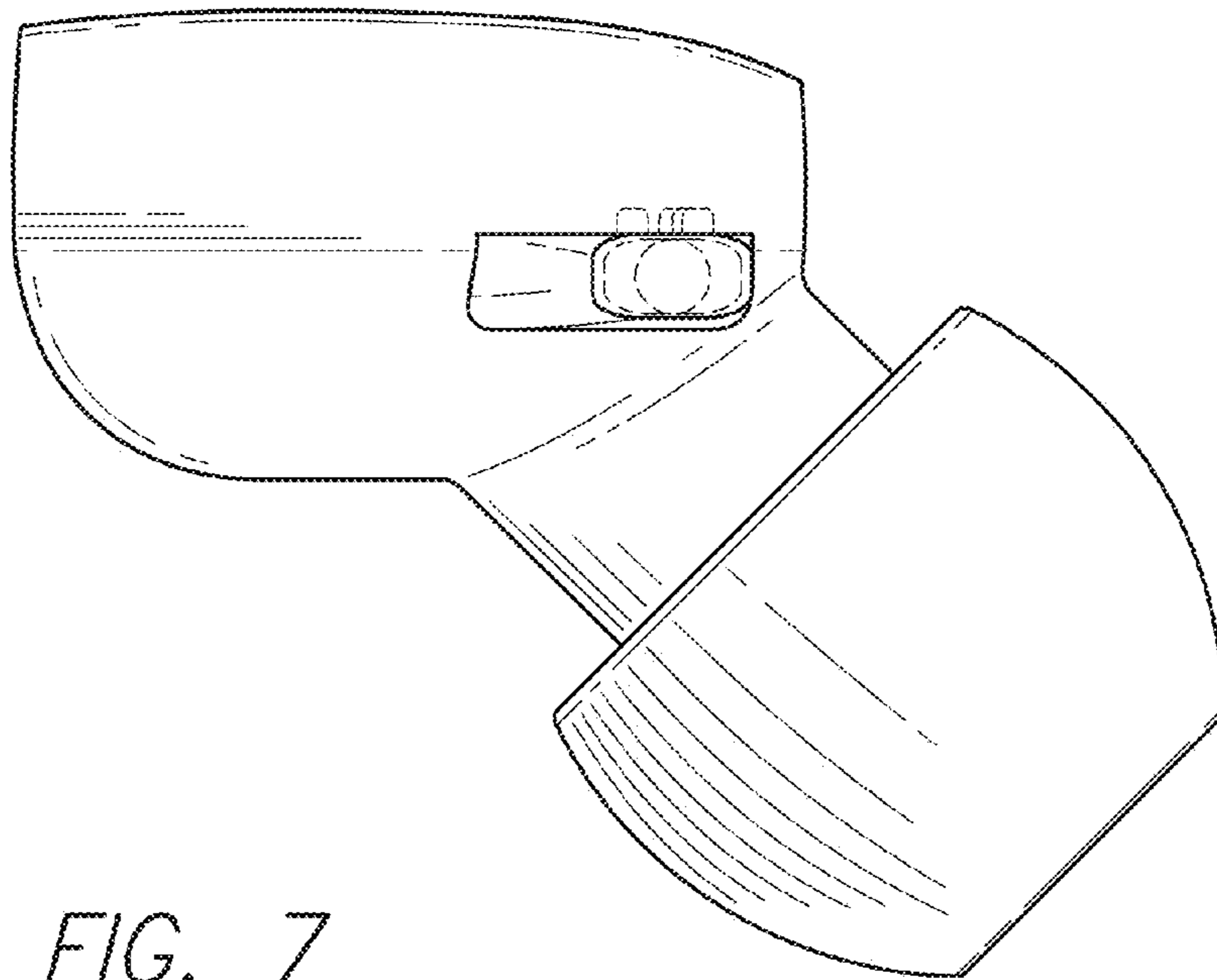
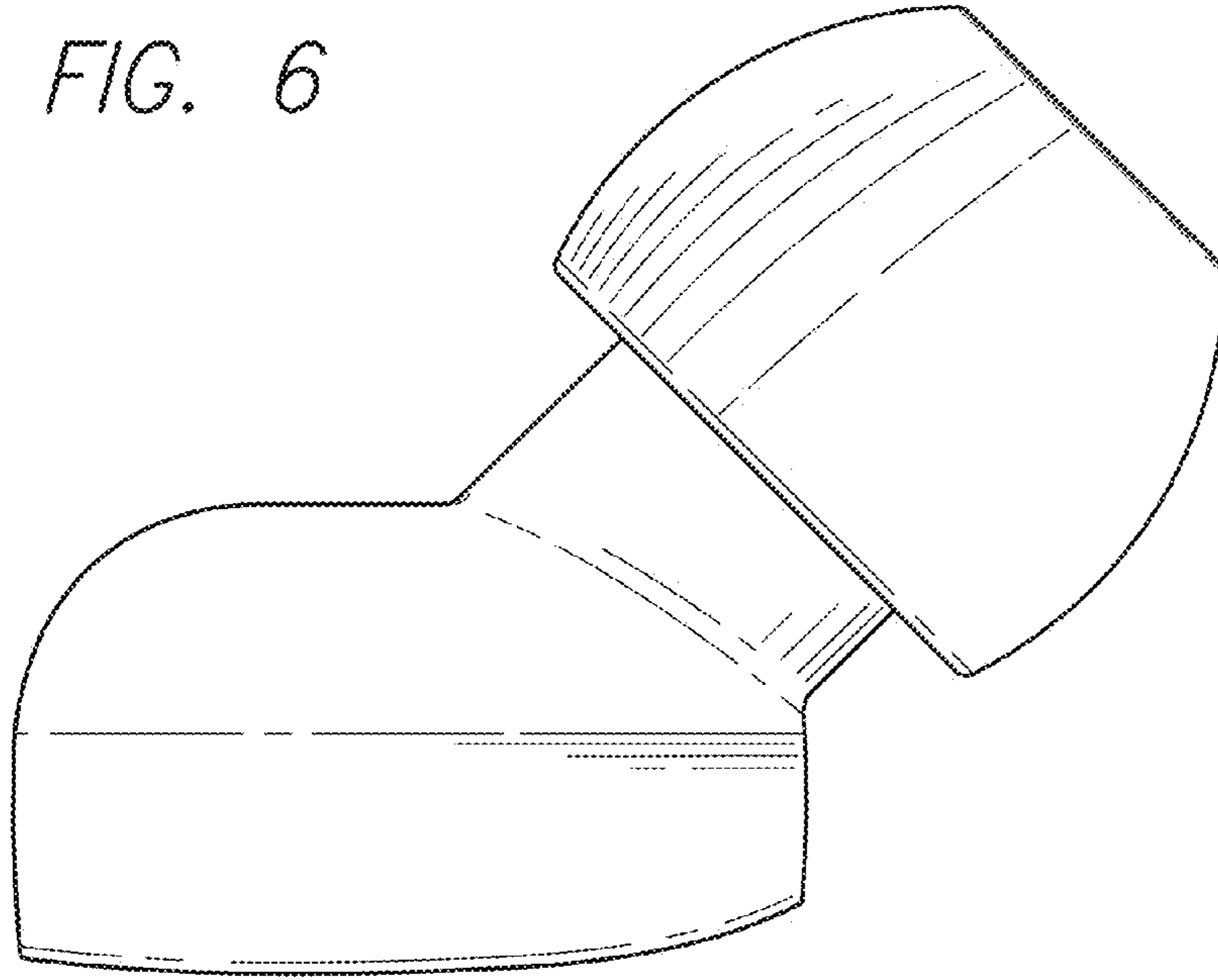


FIG. 7

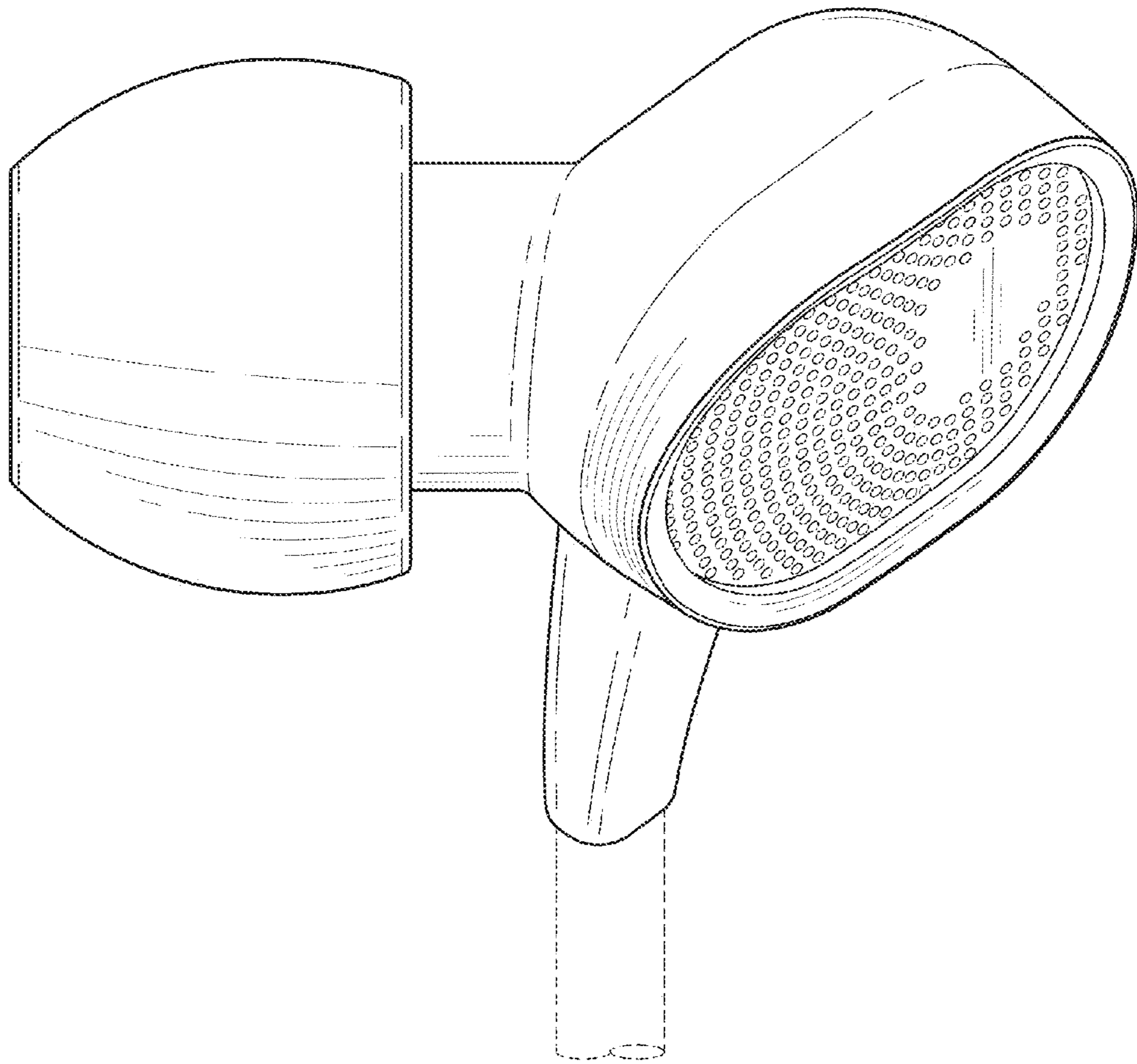


FIG. 8

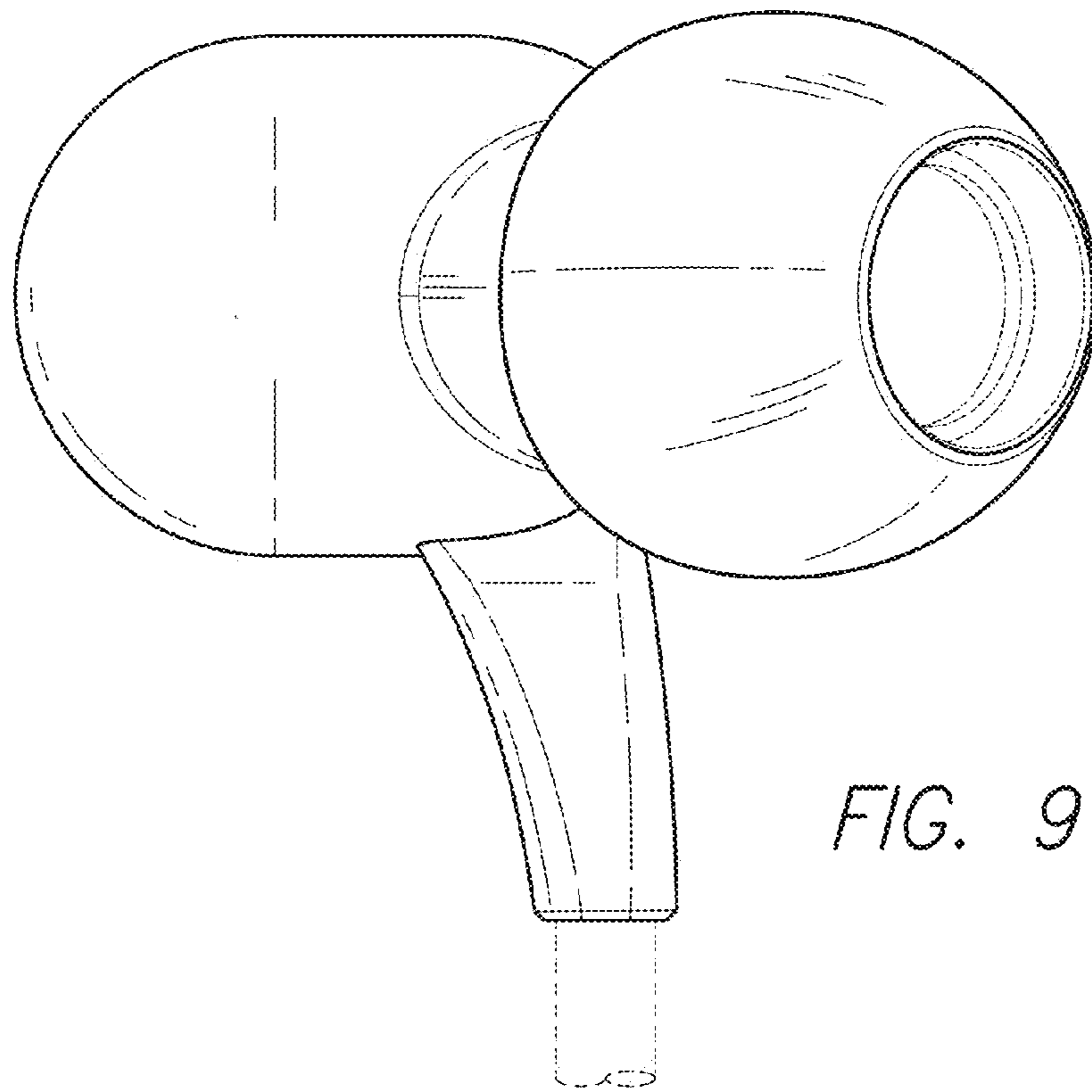


FIG. 9

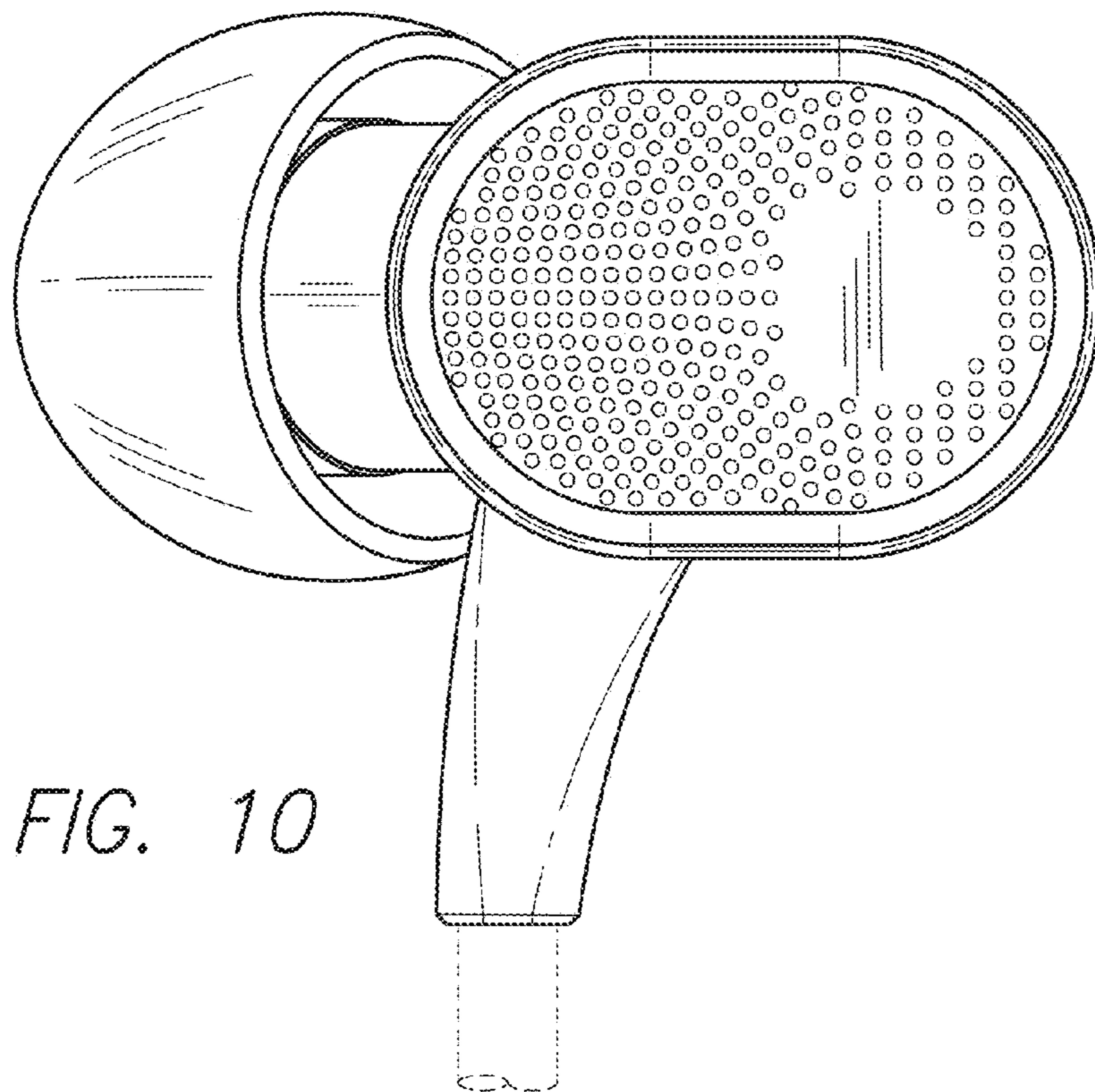


FIG. 10



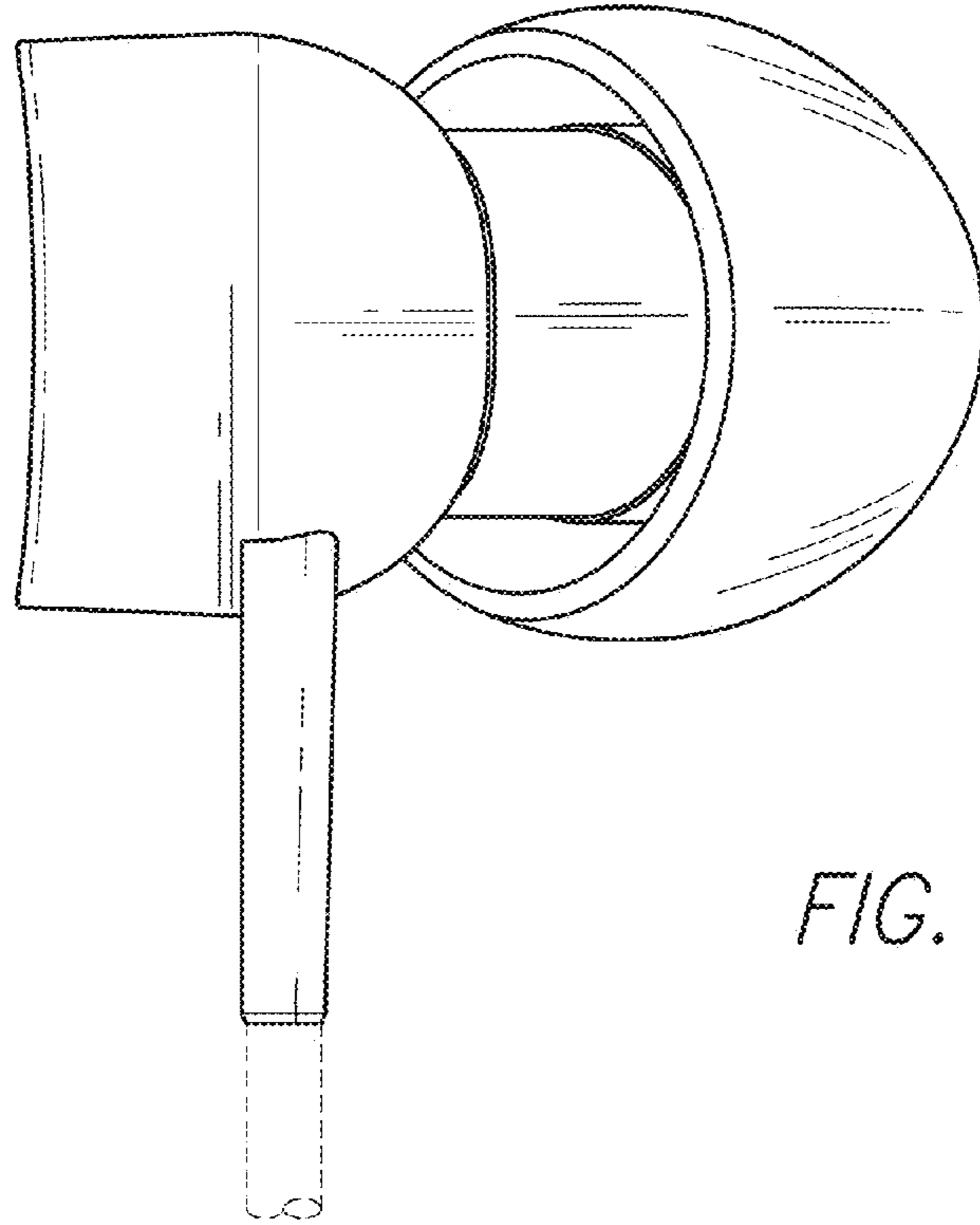


FIG. 11

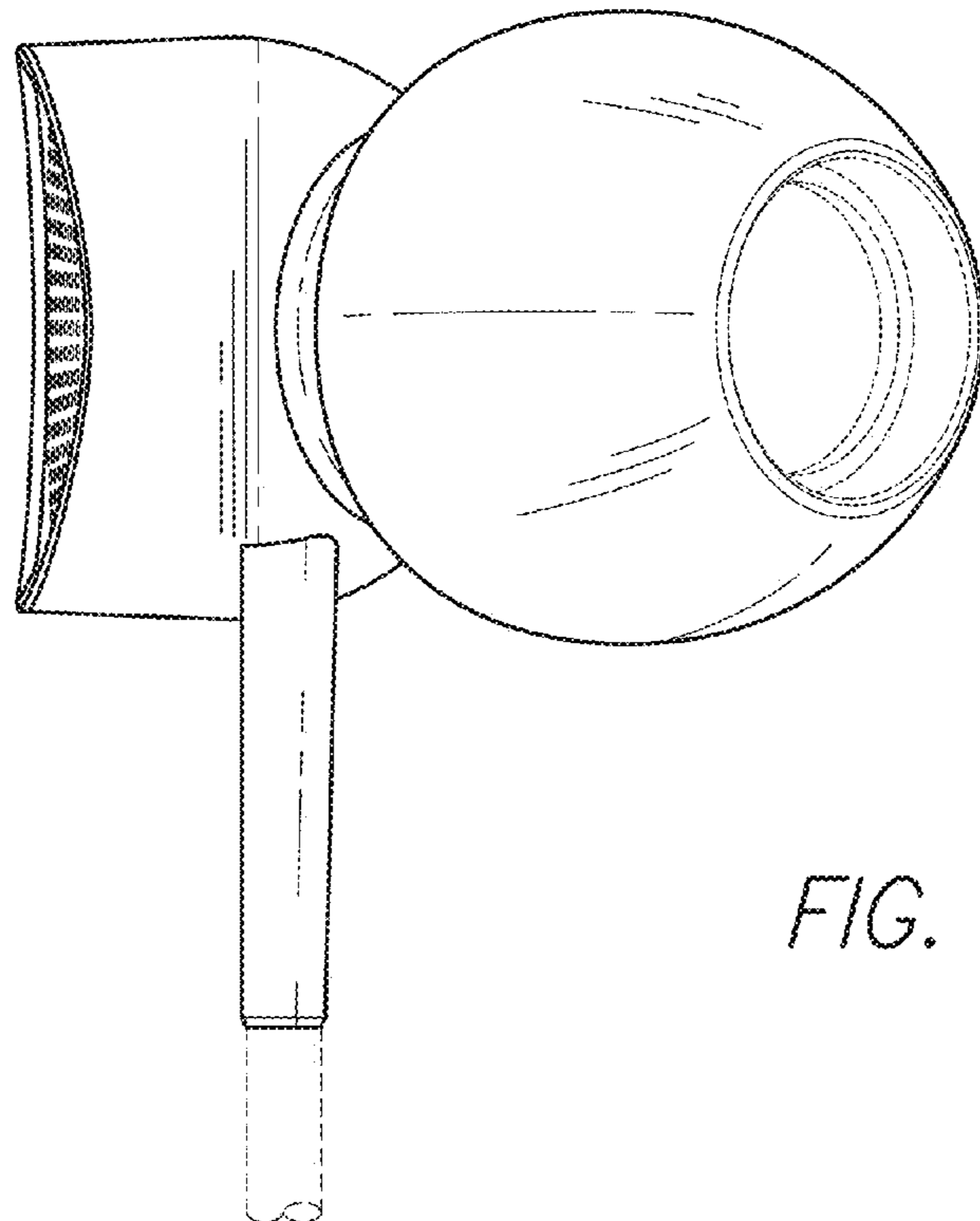


FIG. 12

FIG. 13

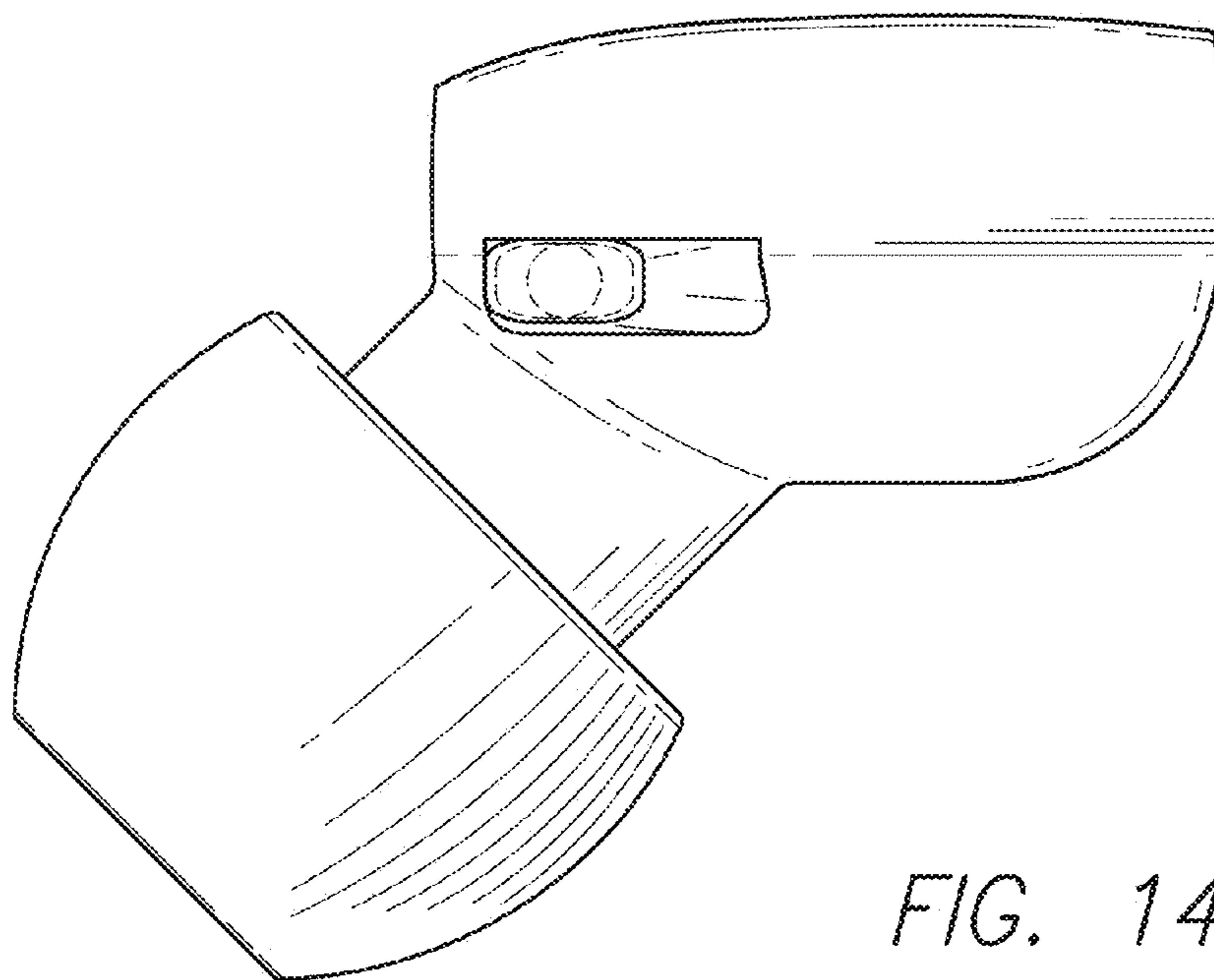
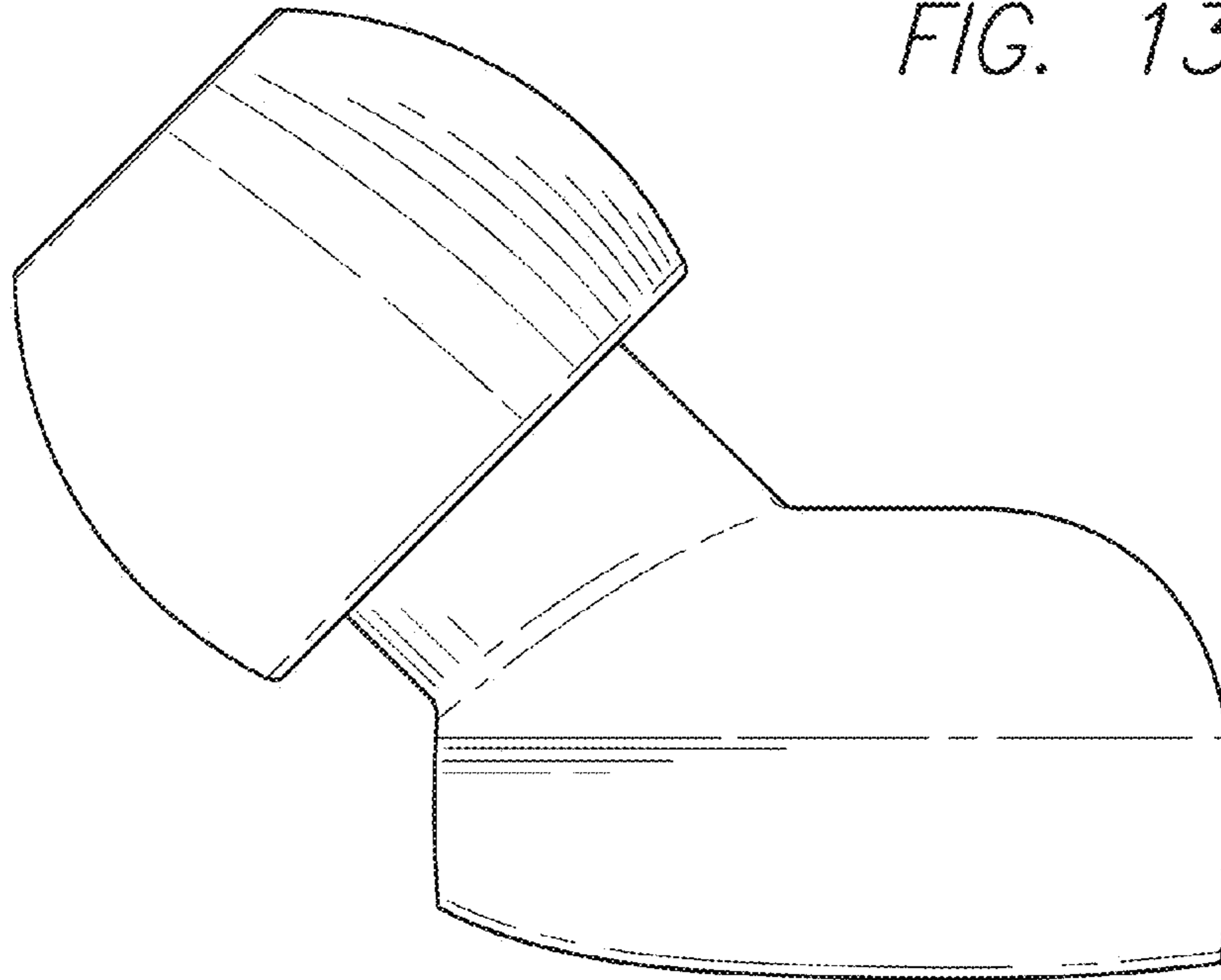


FIG. 14