



US00D737250S

(12) **United States Design Patent**
Ingham et al.

(10) **Patent No.:** **US D737,250 S**

(45) **Date of Patent:** **** Aug. 25, 2015**

(54) **REMOTE CONTROL**

(71) Applicant: **Select Comfort Corporation**,
Minneapolis, MN (US)

(72) Inventors: **Jeff Ingham**, Minneapolis, MN (US);
Joe Fleury, Woodbury, MN (US); **Mark Dickens**, Franklin, TN (US); **Yves Behar**, San Francisco, CA (US); **Nick Cronan**, Oakland, CA (US); **Jenny Olson**, Brooklyn, NY (US); **Chad Gundelach**, Plymouth, MN (US)

(73) Assignee: **Select Comfort Corporation**

(**) Term: **14 Years**

(21) Appl. No.: **29/449,241**

(22) Filed: **Mar. 14, 2013**

(51) **LOC (10) Cl.** **14-03**

(52) **U.S. Cl.**

USPC **D14/218**

(58) **Field of Classification Search**

USPC D14/218, 137-139, 174, 151, 191-193,
D14/299, 167, 168; D13/168, 162-164;
D21/512-517, 566; D10/104, 106;
455/352-355, 151.1-151.4, 128, 347,
455/90.3; 348/114, 734

See application file for complete search history.

(56) **References Cited**

U.S. PATENT DOCUMENTS

D284,839 S	7/1986	Biesecker
D330,376 S	10/1992	Kawaguchi
D361,262 S	8/1995	Lusker
5,801,918 A	9/1998	Ahearn
D401,582 S	11/1998	Gremchuck
5,899,210 A	5/1999	Letherby et al.
6,084,644 A	7/2000	Atkinson
D453,753 S	2/2002	Ahn
D470,125 S	2/2003	Jordan et al.

D478,064 S	8/2003	Jordan
6,681,062 B1	1/2004	Yano
D492,284 S	6/2004	Suzuki
D492,664 S	7/2004	Christianson

(Continued)

OTHER PUBLICATIONS

“Fashion Triangle”, © 2009-2012 www.sogoya.com. [online].
[retrieved on Oct. 29, 2010]. Retrieved from the Internet: <URL:
http://www.sogoya.com/productinfo id 3679 itemno.html>, 3 pgs.

(Continued)

Primary Examiner — John Windmuller

Assistant Examiner — Luqman McNeil

(74) *Attorney, Agent, or Firm* — Fish & Richardson P.C.

(57) **CLAIM**

The ornamental design for a remote control, as shown and described.

DESCRIPTION

The subject matter described in this application is related to subject matter disclosed in the following applications: U.S. application Ser. No. 29/449,209, filed on even date herewith, entitled “Remote Control”; and U.S. application Ser. No. 29/449,245, filed on even date herewith, entitled “Remote Control.” The contents of each of the above-referenced U.S. patent applications are herein incorporated by reference in their entirety.

FIG. 1 is a front perspective view of a remote control;

FIG. 2 is a right side view of the remote control;

FIG. 3 is a left side view of the remote control;

FIG. 4 is a front view of the remote control;

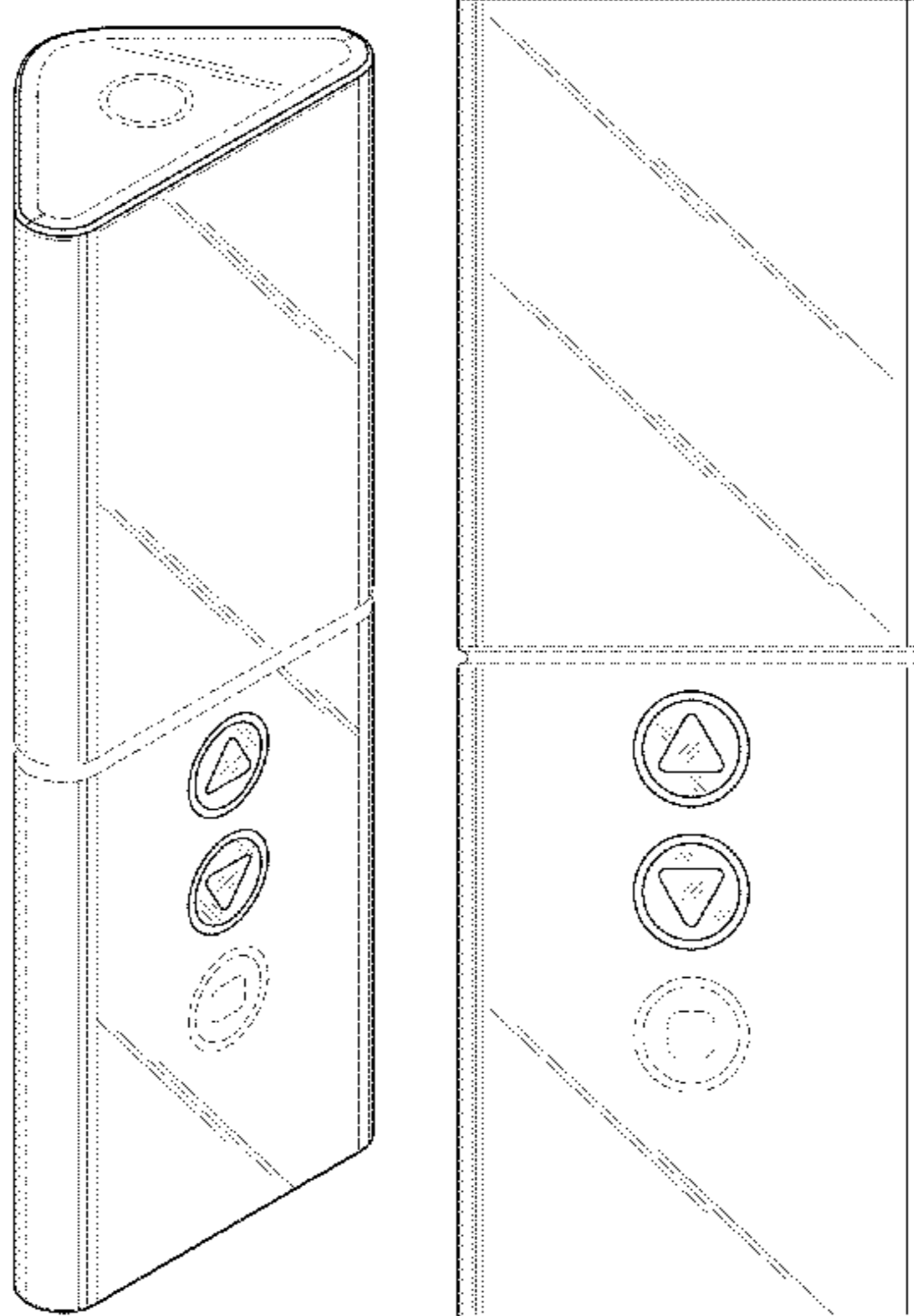
FIG. 5 is a rear view of the remote control;

FIG. 6 is a top view of the remote control; and,

FIG. 7 is a bottom view of the remote control.

The broken-line disclosure in the views is understood to represent a portion of the article in which the claimed design is embodied, but which forms no part of the claimed design.

1 Claim, 5 Drawing Sheets



(56)

References Cited

U.S. PATENT DOCUMENTS

D520,989 S 5/2006 Miller
 7,219,830 B2 5/2007 West
 D559,832 S 1/2008 Poandl
 D562,385 S 2/2008 Camillo
 D568,827 S 5/2008 Ikeda et al.
 D595,671 S 7/2009 Glassman et al.
 D603,843 S 11/2009 Einaudi et al.
 D617,554 S 6/2010 Raile
 D626,534 S 11/2010 Kim
 7,859,514 B1 12/2010 Park
 D631,751 S 2/2011 Fox et al.
 D631,851 S 2/2011 Smith et al.
 D632,673 S 2/2011 Isaias
 7,879,008 B2 2/2011 Haury et al.
 D647,885 S 11/2011 Choi et al.
 D650,364 S 12/2011 Kim
 D652,715 S 1/2012 Quinter et al.
 D653,960 S 2/2012 Fox
 8,125,368 B2 2/2012 McRae
 D656,127 S 3/2012 Kay et al.
 D656,496 S 3/2012 Andre et al.
 8,145,269 B2 3/2012 Shin et al.
 D659,123 S 5/2012 Kim
 D664,947 S 8/2012 Choi
 D672,334 S 12/2012 Tzeng
 D672,336 S 12/2012 Lister et al.
 D677,047 S 3/2013 Watson
 D678,876 S 3/2013 Andre et al.
 D686,192 S * 7/2013 Widner et al. D14/212
 D687,010 S * 7/2013 McManigal et al. D14/188
 D691,118 S 10/2013 Ingham et al.
 D698,338 S 1/2014 Ingham et al.
 2002/0140668 A1 10/2002 Crawford
 2005/0068307 A1 3/2005 Flora et al.
 2005/0255895 A1 11/2005 Lee et al.

2006/0169754 A1 8/2006 Tseng
 2008/0048976 A1 2/2008 Rak
 2008/0062129 A1 3/2008 Lee et al.
 2008/0169957 A1 7/2008 Rogers
 2009/0198355 A1 8/2009 Powell
 2010/0201621 A1 8/2010 Niikawa
 2010/0263248 A1 10/2010 Stadjuhar, Jr.
 2010/0315581 A1 12/2010 Koma et al.
 2012/0218477 A1 8/2012 Shahal

OTHER PUBLICATIONS

“Product: MLX-2—infiNET™ LCD Handheld Remote”, (c) Crestron Electronics, Inc. [online]. [retrieved on Oct. 28, 2012]. Retrieved from the Internet: <URL: http://www.crestron.com/resources/product_and_programming_resources/catalogs>, 1 pg.
 “Pyramid Time Clock Search”, [online]. [retrieved on Oct. 29, 2012]. Retrieved from the Internet: <URL: <http://www.aliexpress.com/compare/compare-pyramid-time-clock.html>>, 3 pgs.
 “Triangle Tablet, as satirized on “The Office””, [online]. [retrieved on Oct. 29, 2012]. Retrieved from the Internet: <URL: <http://www.ecoolgadgets.com/triangle-tablet-satirized-office>>, 3 pgs.
 “Voice Control LED Prism Led Alarm Clock”, [online]. [retrieved on Oct. 29, 2012]. Retrieved from the Internet: <URL: <http://www.lightinthebox.com/voice-control-led-prism-led-alarm-clock-p380522.html>>, 2 pgs.
 Byford, S., “Neil Young reveals Pono music player, promises ‘the best sound anyone can’”, [online]. [retrieved on May 17, 2013]. Retrieved from the Internet: <URL: <http://www.theverge.com/2012/9/28/3422018/neil-young-pono-audiophile-music-player-prototype-on>>, (Sep. 28, 2012), 37 pgs.
 “U.S. Appl. No. 29/449,209, Notice of Allowance mailed May 29, 2013”, 9 pgs.
 “U.S. Appl. No. 29/449,245, Notice of Allowance mailed Jun. 7, 2013”, 8 pgs.

* cited by examiner

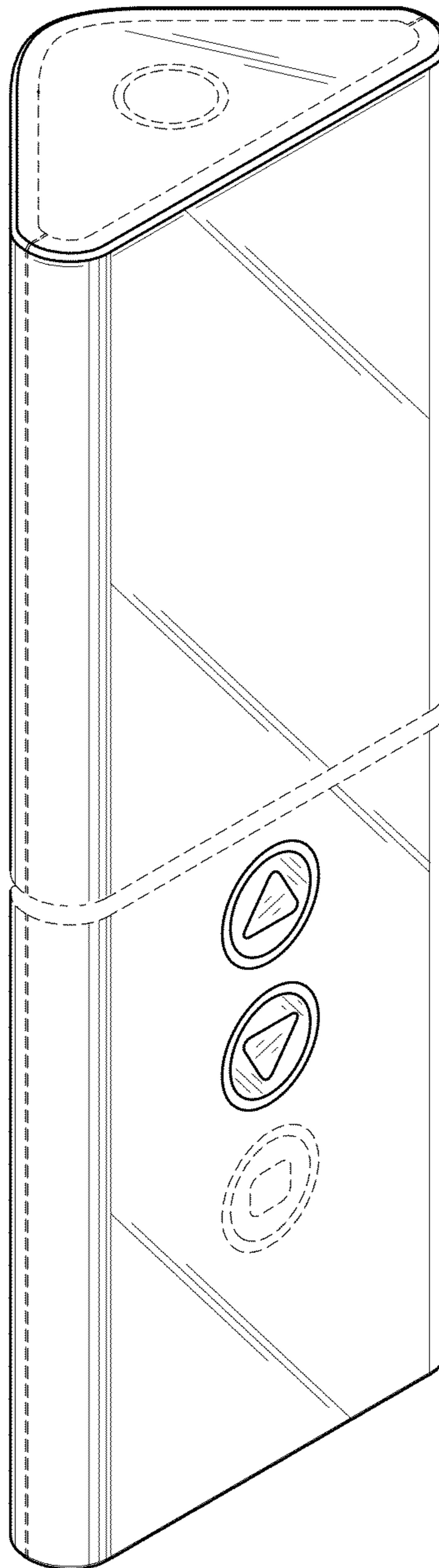


FIG. 1

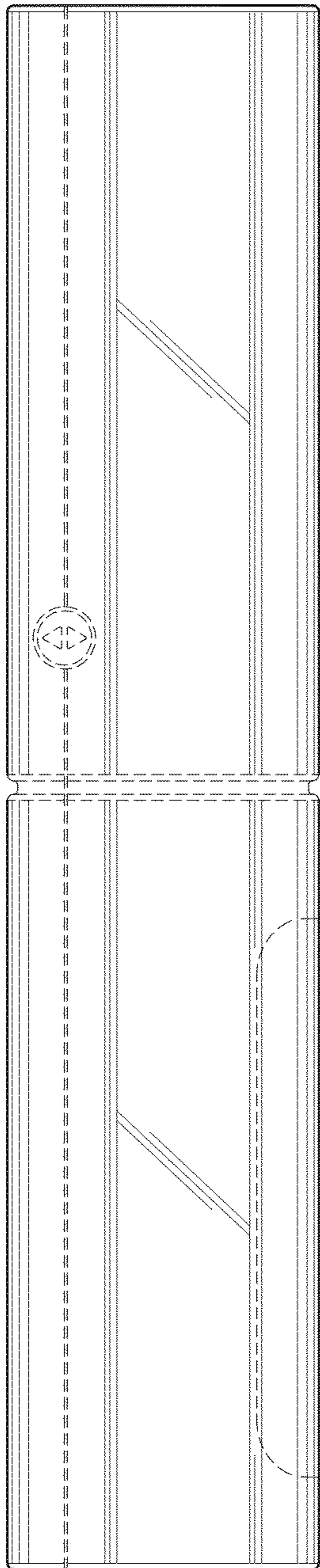


FIG. 2

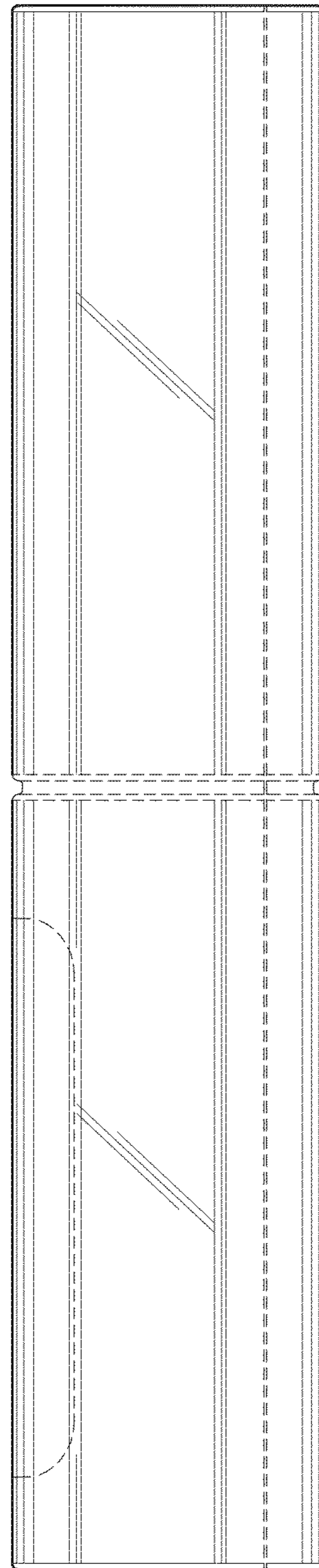


FIG. 3

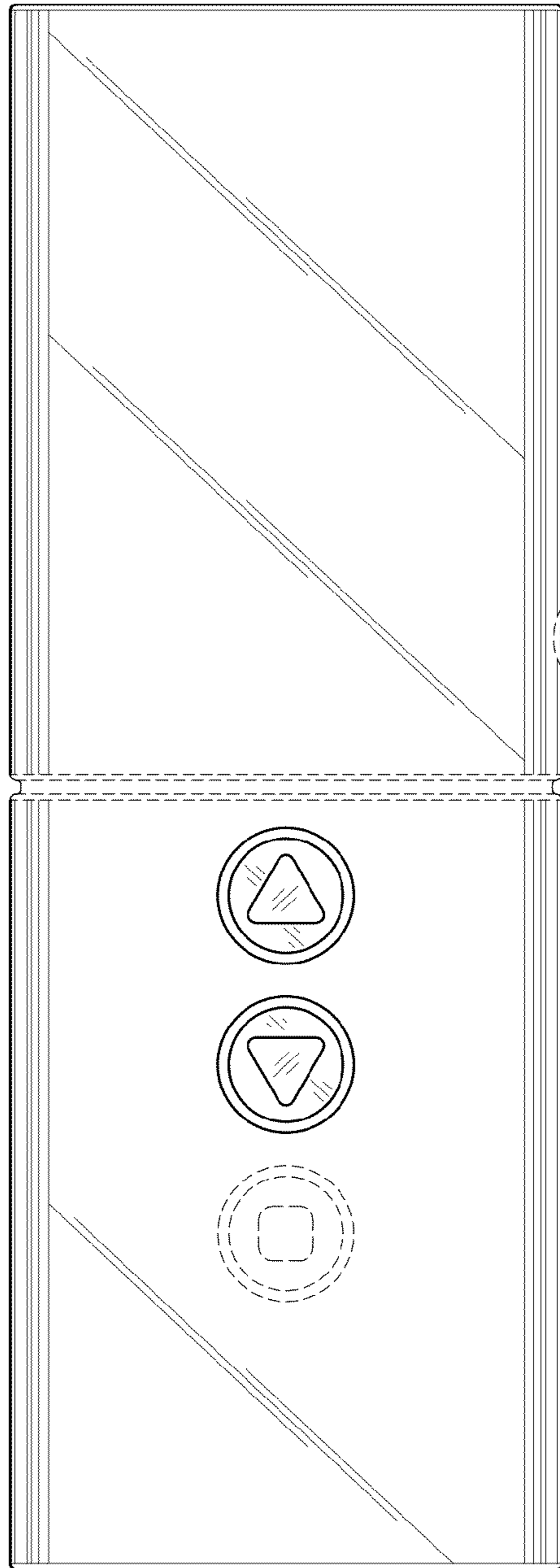


FIG. 4

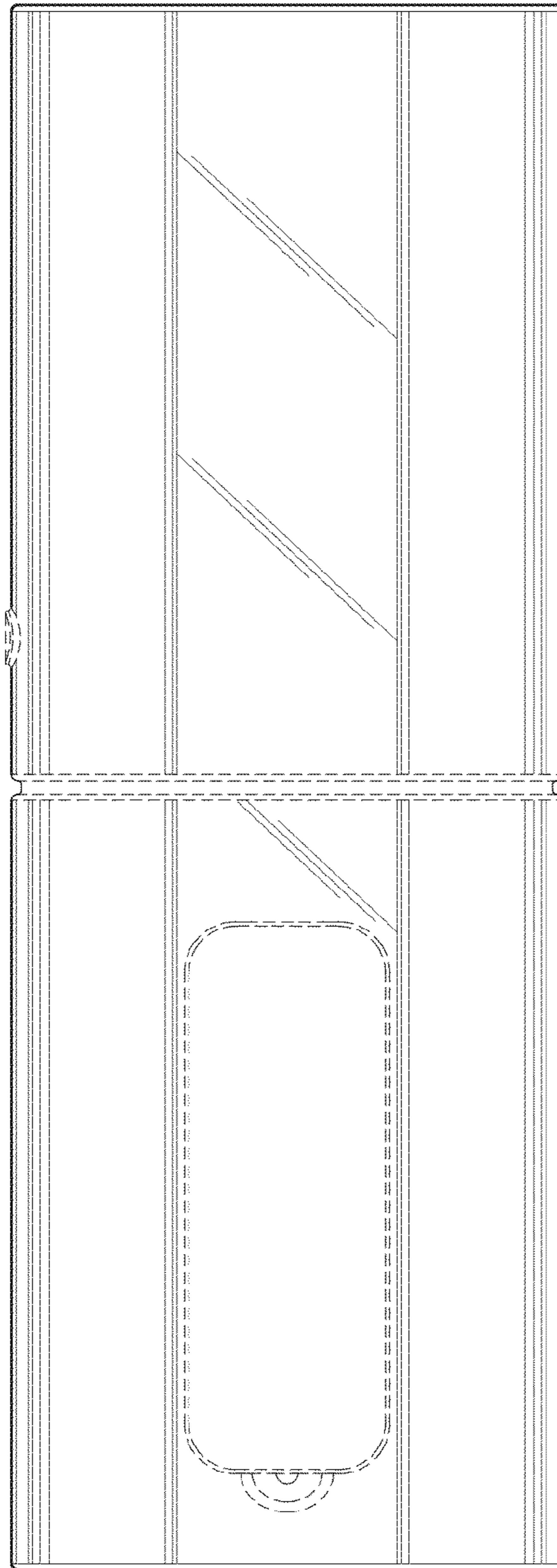


FIG. 5

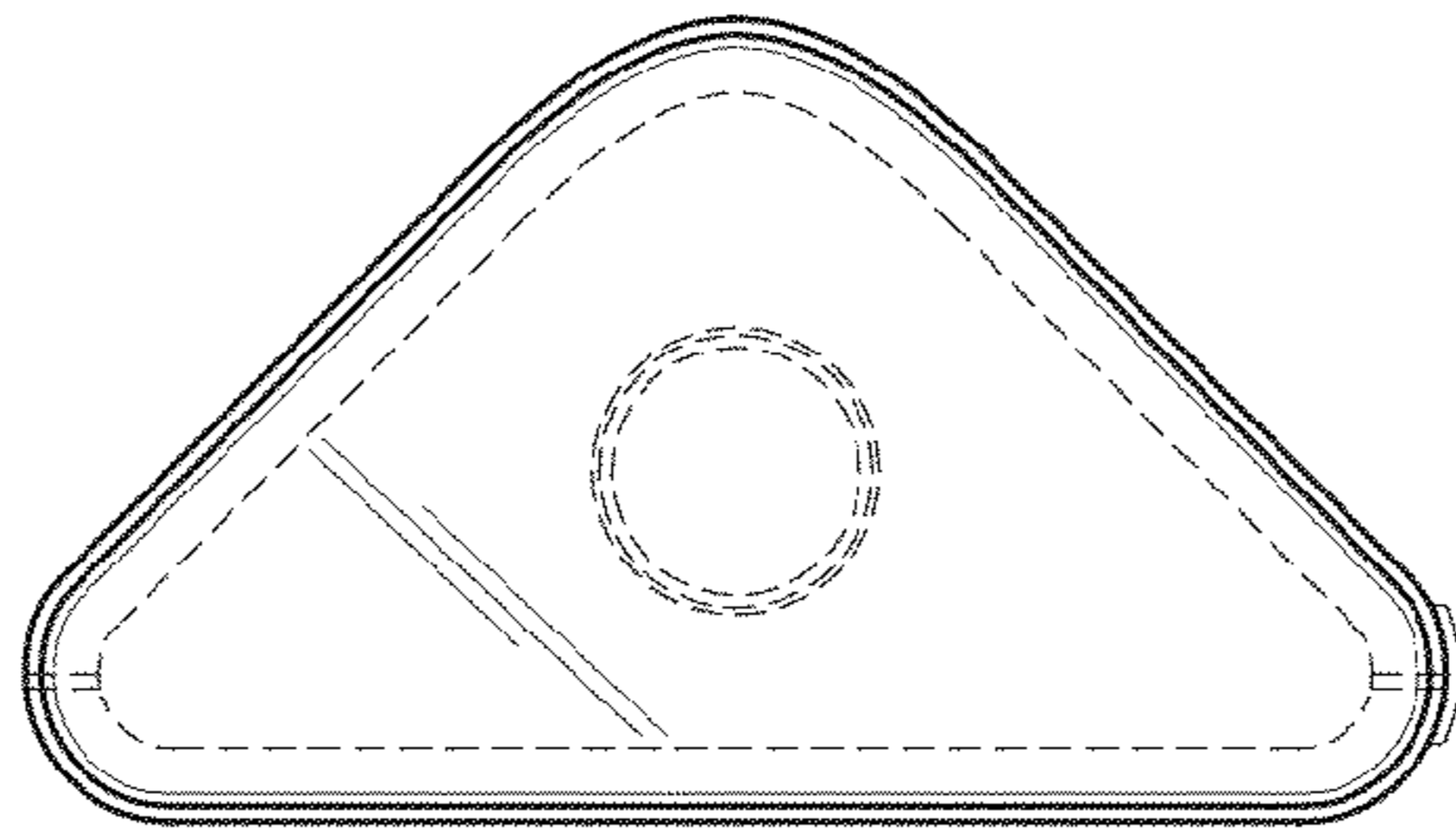


FIG. 6

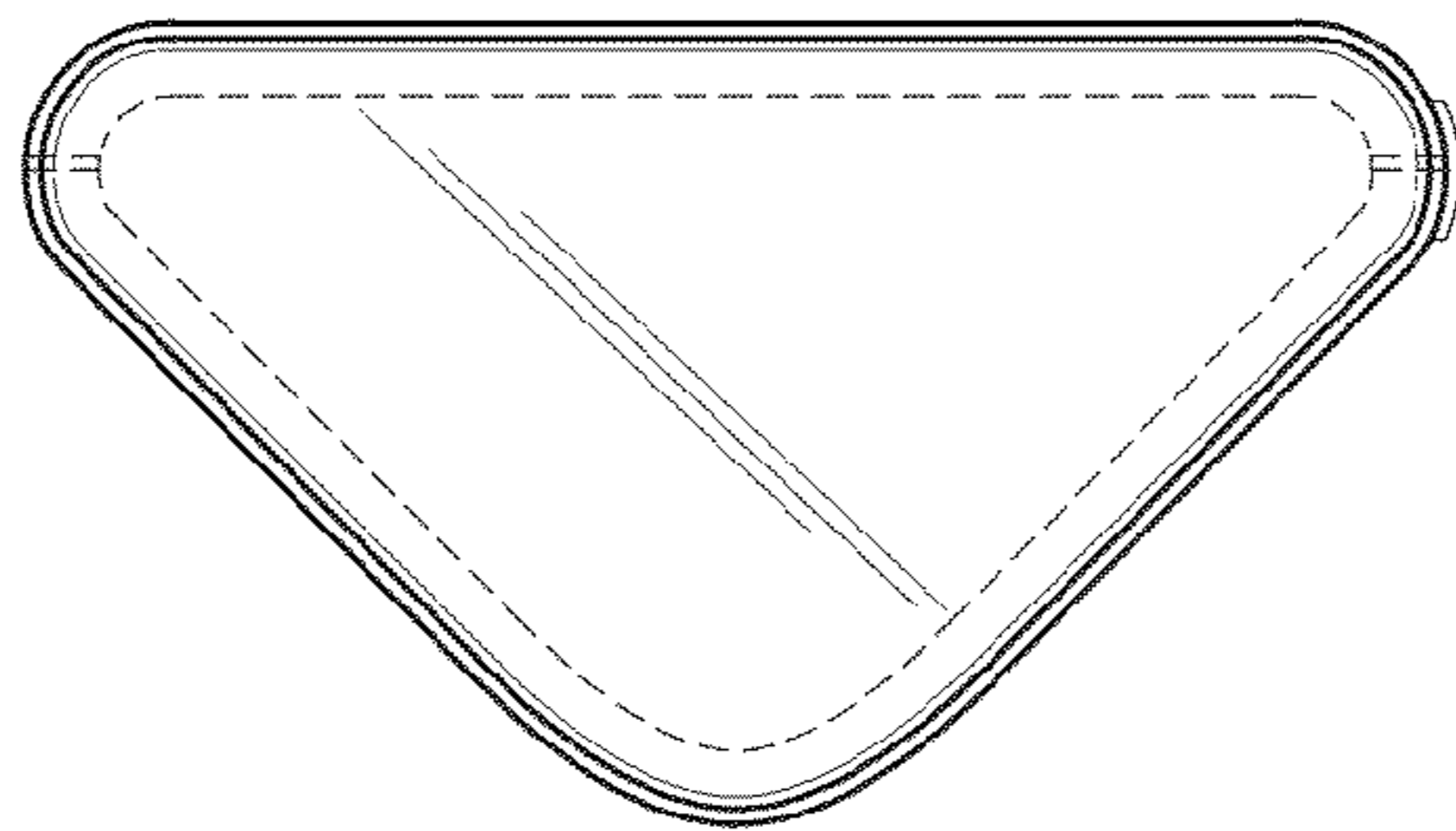


FIG. 7