



US00D737245S

(12) **United States Design Patent**  
**Fan et al.**

(10) **Patent No.:** **US D737,245 S**  
(45) **Date of Patent:** **\*\* Aug. 25, 2015**

(54) **PLANAR LOUDSPEAKER**  
(71) Applicant: **Wall Audio Inc.**, Fountain Hills, AZ  
(US)  
(72) Inventors: **Chiko Fan**, Oakland, CA (US);  
**Feng-Chang Lin**, Taipei (TW)  
(73) Assignee: **WALL AUDIO, INC.**, San Jose, CA  
(US)  
(\*\*) Term: **14 Years**  
(21) Appl. No.: **29/495,837**  
(22) Filed: **Jul. 3, 2014**  
(51) **LOC (10) Cl.** ..... **14-03**  
(52) **U.S. Cl.**  
USPC ..... **D14/214**  
(58) **Field of Classification Search**  
USPC ..... D14/167, 168, 170–172, 188, 194–196,  
D14/204, 207, 209.1, 210–216, 219, 221,  
D14/222, 224, 496; 181/143, 144, 147, 148,  
181/150, 153, 157, 198, 199; 381/300–303,  
381/306, 332, 333, 336, 345, 361–364,  
381/386–388; 369/6–12; D6/300–302, 310  
CPC .... B60R 11/0217; G06F 1/1688; H04M 1/03;  
H04M 1/035; H04R 1/02; H04R 1/06; H04R  
1/021; H04R 1/025; H04R 1/026; H04R  
1/028; H04R 1/105; H04R 1/323; H04R  
1/403; H04R 1/2803; H04R 1/2834; H04R  
5/02; H04R 7/20; H04R 9/06; H04R 9/025;  
H04R 2201/021; H04R 2400/00; H04R  
2400/07; H04R 2499/11; H04R 2499/13;  
H04R 2499/15; H04S 3/00; H04S 7/30  
See application file for complete search history.

D432,518 S \* 10/2000 Muto ..... D14/172  
D592,641 S 5/2009 Ryu et al.  
D628,913 S 12/2010 Cheng  
D636,188 S \* 4/2011 Kim et al. .... D6/308  
D639,568 S \* 6/2011 Lee et al. .... D6/308  
D652,418 S 1/2012 Rashid et al.  
8,335,339 B2 12/2012 Tagami et al.  
D676,430 S \* 2/2013 Blaser ..... D14/239  
D685,346 S 7/2013 Szymanski et al.

(Continued)

**FOREIGN PATENT DOCUMENTS**

EP 2677769 A2 12/2013

**OTHER PUBLICATIONS**

Artcoustic Picture Gallery (Artcoustic UK Ltd.) Jul. 6, 2012; <https://web.archive.org/web/20130706004612/http://www.artcoustic.com/Gallery.html> Published Jul. 6, 2012; Downloaded from Wayback Mar. 16, 2015.

(Continued)

*Primary Examiner* — Keli L Hill  
(74) *Attorney, Agent, or Firm* — Wilson Sonsini Goodrich & Rosati

(57) **CLAIM**

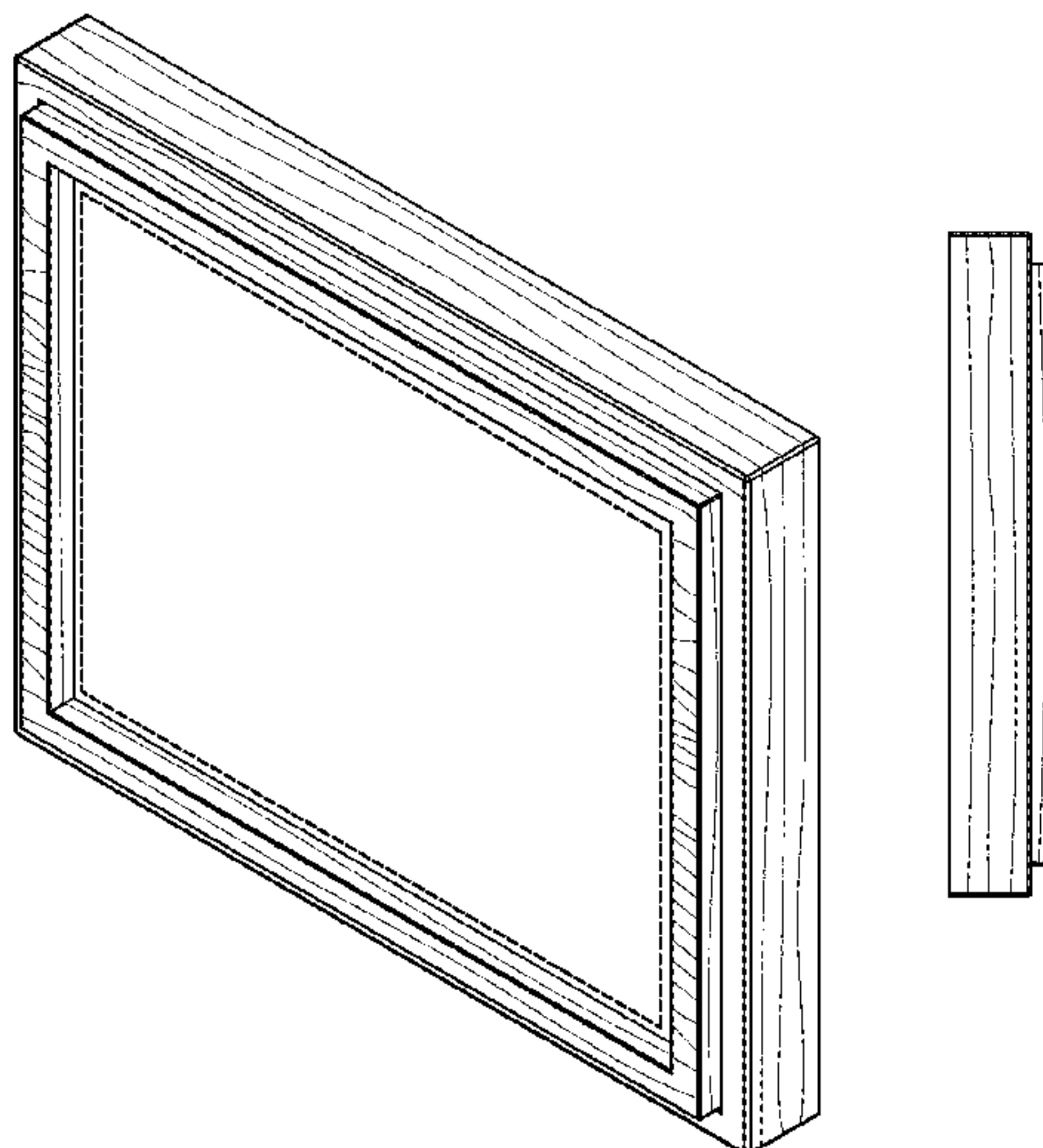
The ornamental planar loudspeaker, as shown and described.

**DESCRIPTION**

FIG. 1 is a front perspective view of the planar loudspeaker showing an embodiment of our new design;  
FIG. 2 is a top plan view thereof;  
FIG. 3 is a front elevation view thereof;  
FIG. 4 is a right side elevation view thereof;  
FIG. 5 is a left side elevation view thereof; and,  
FIG. 6 is a bottom plan view thereof.  
The broken lines shown are included for the purpose of illustrating portions of the planar loudspeaker that form no part of the claim.

(56) **References Cited**  
U.S. PATENT DOCUMENTS  
4,856,071 A 8/1989 Marquiss  
5,452,663 A 9/1995 Berdud

**1 Claim, 2 Drawing Sheets**



(56)

**References Cited**

U.S. PATENT DOCUMENTS

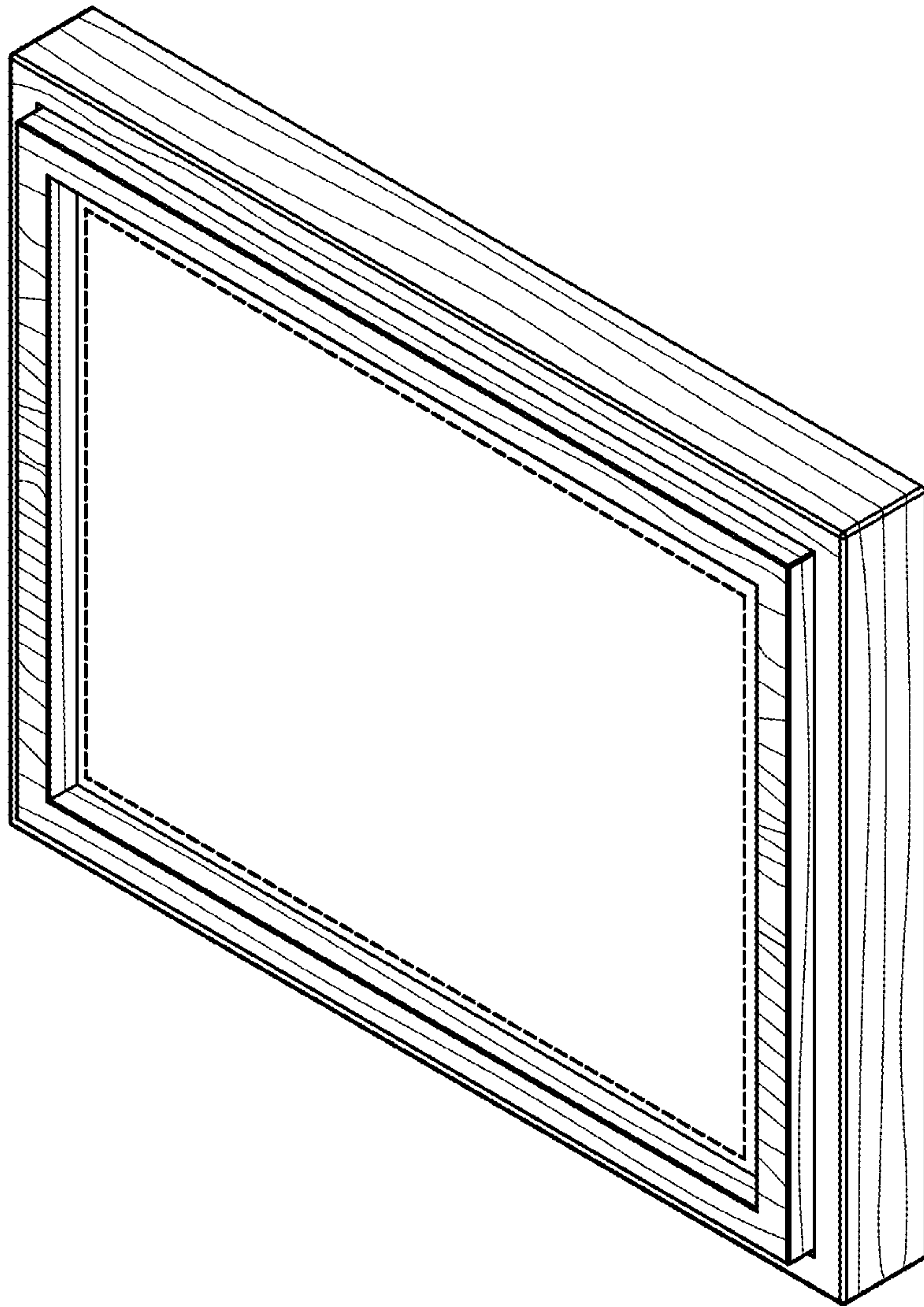
D695,250 S 12/2013 Kim et al.  
D707,204 S \* 6/2014 Fujiwara et al. .... D14/221  
D719,744 S \* 12/2014 Plumbo et al. .... D6/300  
D721,893 S \* 2/2015 Gorham ..... D6/300  
D722,049 S 2/2015 Moradian  
8,958,591 B2 2/2015 Hagman

OTHER PUBLICATIONS

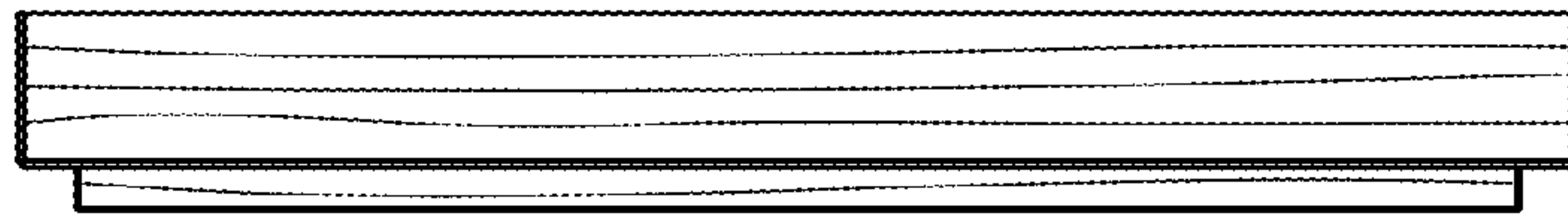
International search report and written opinion dated Mar. 25, 2015  
for PCT/US2014/03054.

Standard Specification for Silver Coated Copper Wire (ASTM B298)  
Sep. 9, 2013; <http://www.astm.org/Standards/B298.htm>. Published  
Sep. 9, 2013; Downloaded from Wayback on Mar. 6, 2015.  
U.S. Appl. No. 14/588,073, filed Dec. 31, 2014, Fan.  
U.S. Appl. No. 29/478,511, filed Jan. 6, 2014, Fan.  
DSA. Dedicated Sound and Audio homepage. Innovative Audio Con-  
cepts. Accessed Jan. 16, 2015. <http://dsausa.com/>.  
DSA. Dedicated Sound and Audio Technology: How it works.  
Accessed Jan. 16, 2015. <http://dsausa.com/tech-nology>.  
Morcos, Tony. The straight attraction, part two. The Magnequench  
Technology Center. Jul. Aug. 2000 Motion Control, pp. 24-28.  
Planar Magnetic Technology. Technical Overview, Wisdom Audio,  
2007.  
Notice of allowance dated Mar. 6, 2015 for U.S. Appl. No.  
29/478,511.

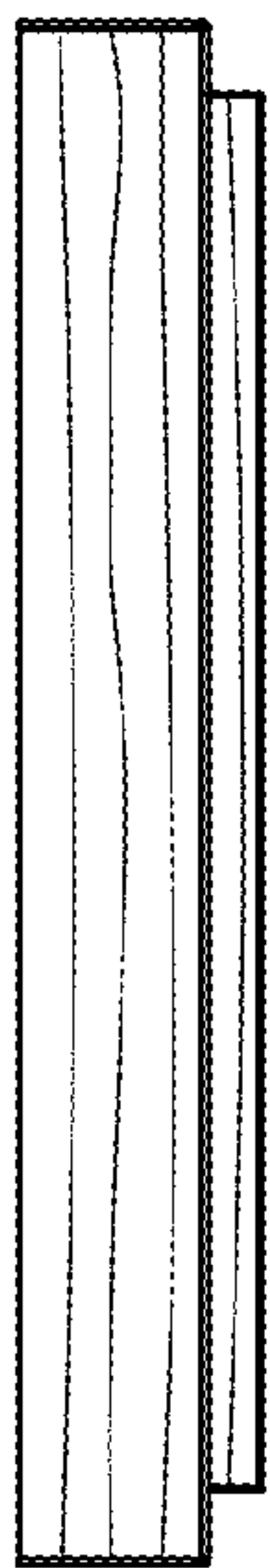
\* cited by examiner



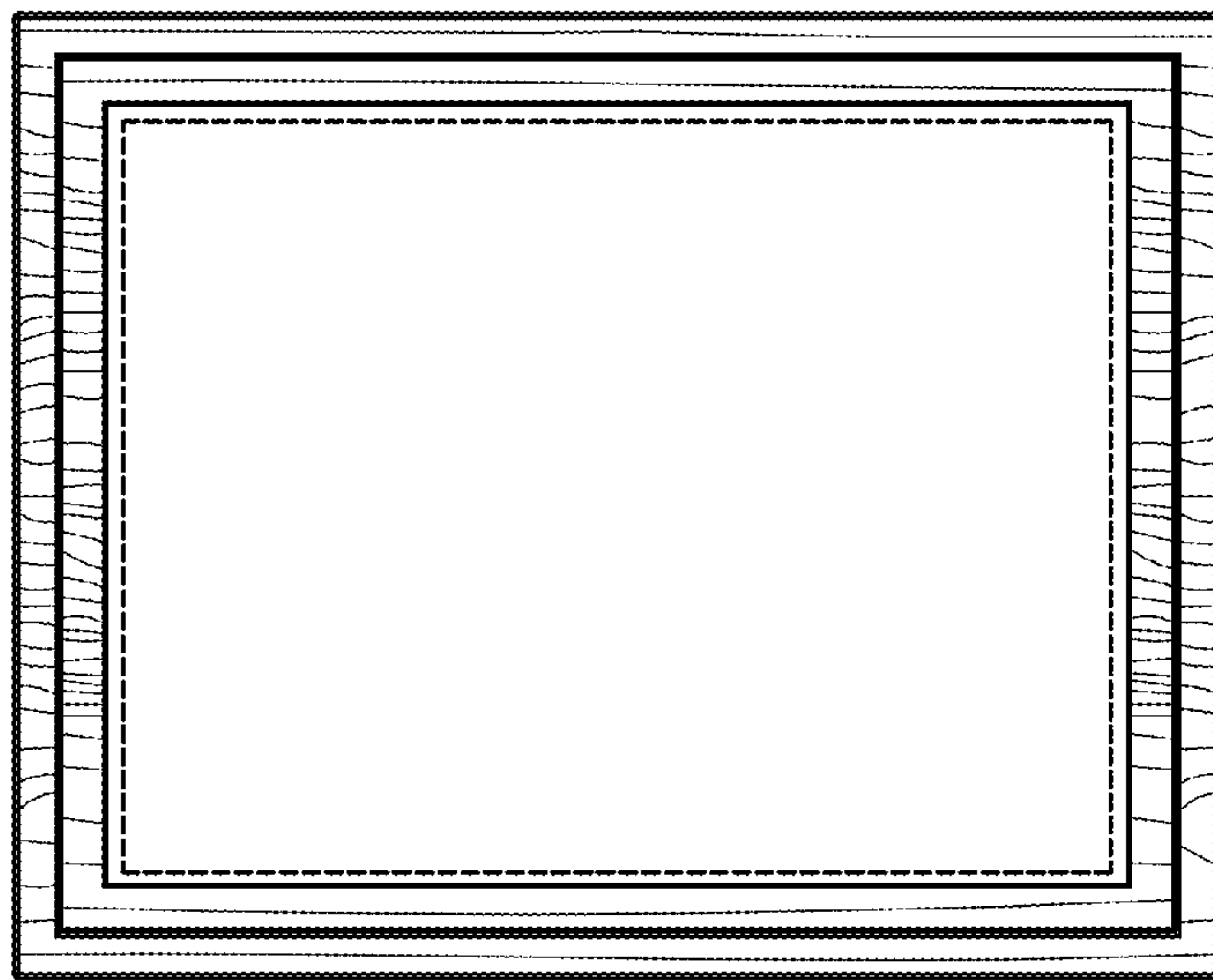
**FIG. 1**



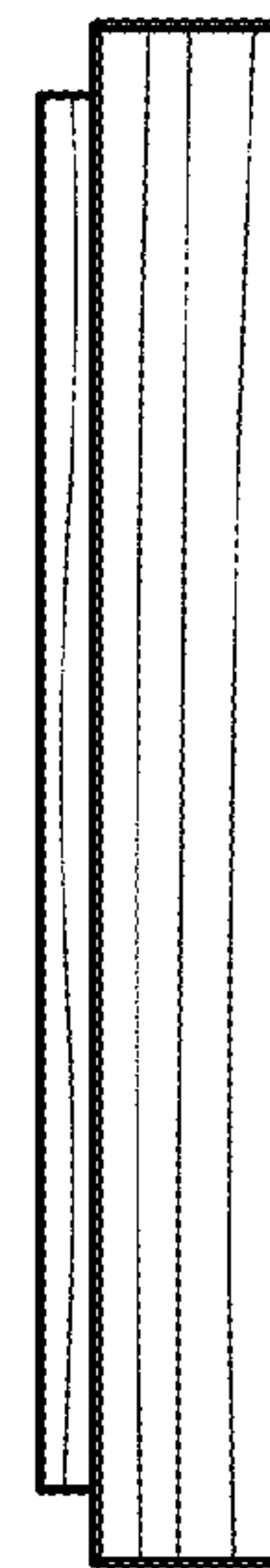
**FIG. 2**



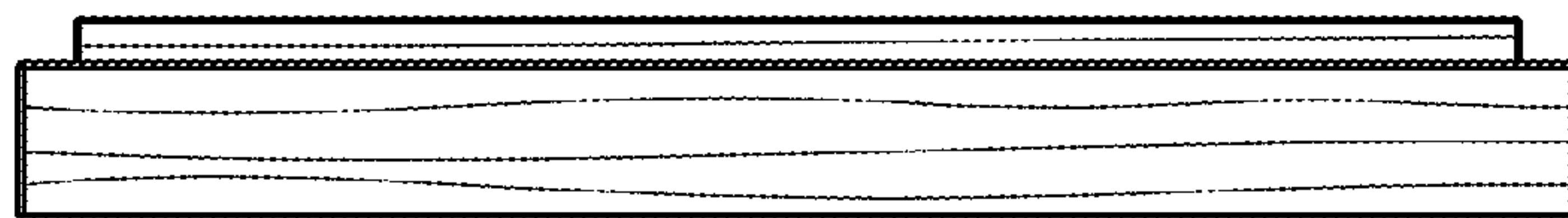
**FIG. 5**



**FIG. 3**



**FIG. 4**



**FIG. 6**