



US00D737243S

(12) **United States Design Patent**  
**McMurray et al.**

(10) **Patent No.:** **US D737,243 S**

(45) **Date of Patent:** **\*\* Aug. 25, 2015**

(54) **WALL MOUNT DVD/RADIO**

(56) **References Cited**

- (71) Applicant: **ASA Electronics, LLC.**, Elkhart, IN  
(US)
- (72) Inventors: **Scott McMurray**, Saint Louis, MO  
(US); **Jennifer A. King**, White Pigeon,  
MI (US); **James Hamilton**, Elkhart, IN  
(US); **Kenneth J. Schaefer**, Granger, IN  
(US)
- (73) Assignee: **ASA Electronics, LLC**, Elkhart, IN  
(US)

U.S. PATENT DOCUMENTS

2,096,192	A *	10/1937	Moore	181/153
2,359,348	A *	10/1944	Barclay	181/153
4,082,159	A *	4/1978	Petty	181/156
D285,067	S *	8/1986	Delbuck	D14/209
5,400,412	A *	3/1995	King et al.	381/395
6,484,983	B1 *	11/2002	Combest	248/220.1
6,845,840	B2 *	1/2005	Cowan et al.	181/150
D529,479	S *	10/2006	Wolf et al.	D14/188
D531,163	S *	10/2006	Kaner et al.	D14/188
7,404,535	B2 *	7/2008	Mossman et al.	248/323
D617,310	S *	6/2010	Tatara et al.	D14/209
8,290,185	B2 *	10/2012	Kim	381/300

\* cited by examiner

*Primary Examiner* — Prabhakar Deshmukh

(74) *Attorney, Agent, or Firm* — Taylor IP, P.C.

(\*\*) Term: **14 Years**

(21) Appl. No.: **29/491,284**

(22) Filed: **May 20, 2014**

(51) **LOC (10) Cl.** ..... **14-01**

(52) **U.S. Cl.**  
USPC ..... **D14/209**

(58) **Field of Classification Search**  
USPC ..... D14/188, 496, 194, 217, 221, 224,  
D14/224.1, 209, 204, 257; 181/143, 144,  
181/147, 148, 150–153, 157, 198, 199;  
381/399–303, 306, 332, 333, 336, 345,  
381/361–364, 386–388; 463/1, 46, 47;  
273/148 B

CPC ..... H04R 5/02; H04R 2400/00  
See application file for complete search history.

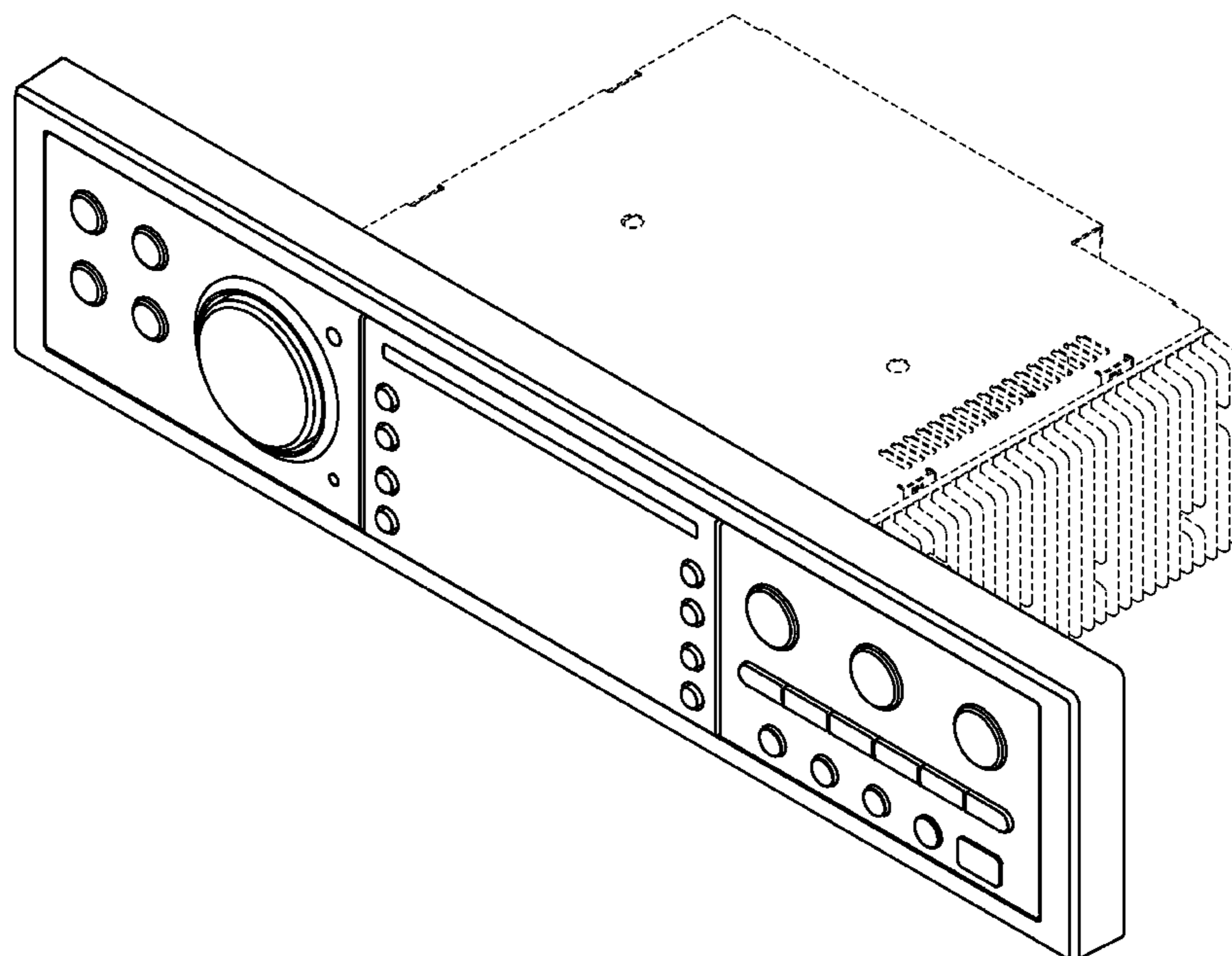
(57) **CLAIM**

The ornamental design for a wall mount DVD/radio, as shown and described.

**DESCRIPTION**

FIG. 1 is a perspective view of a wall mount DVD/radio showing our new design;  
FIG. 2 is a front view thereof;  
FIG. 3 is a rear view thereof;  
FIG. 4 is a top view thereof;  
FIG. 5 is a bottom view thereof;  
FIG. 6 is a side view thereof; and,  
FIG. 7 is another side view thereof.  
The broken lines illustrate unclaimed portions and form no part of the claimed design.

**1 Claim, 5 Drawing Sheets**



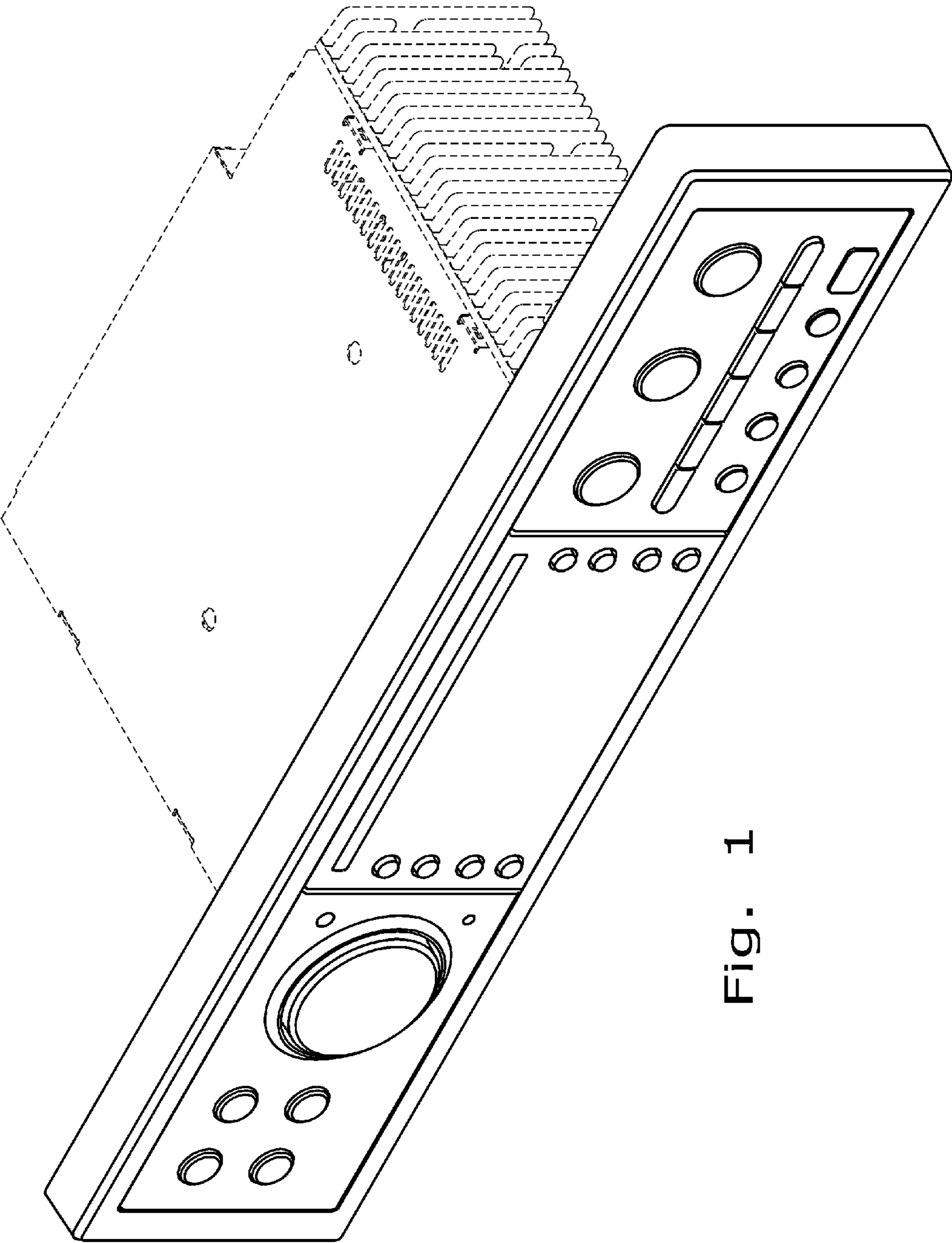


Fig. 1

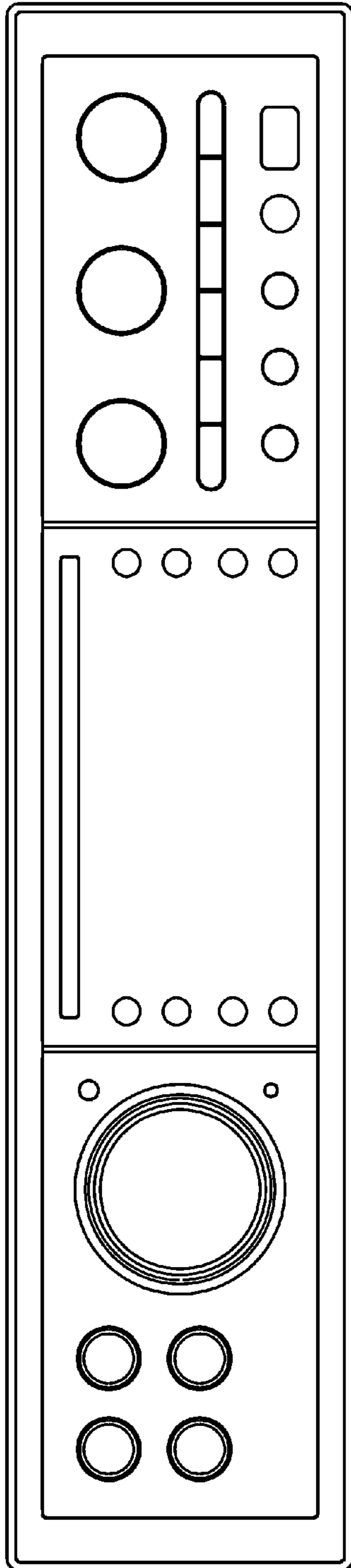


Fig. 2

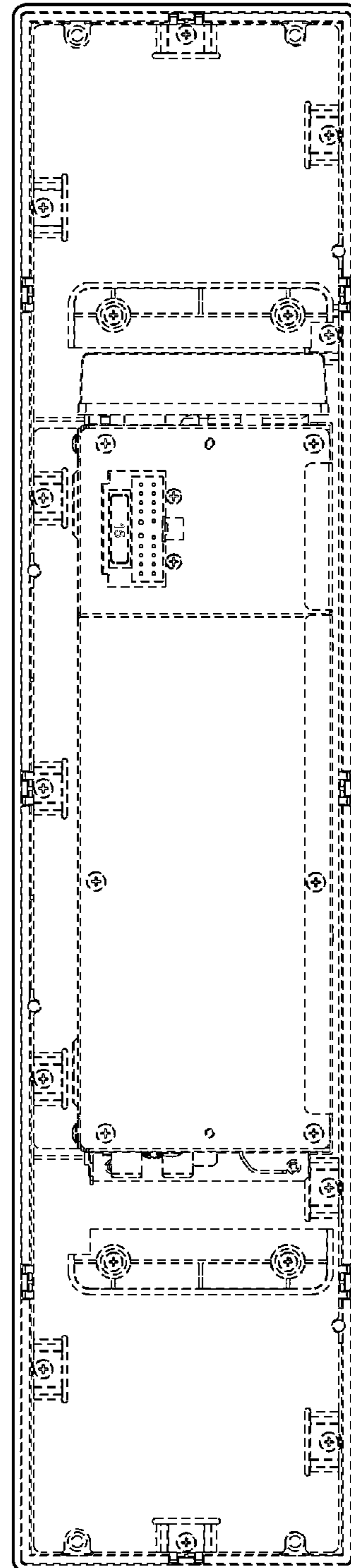


Fig. 3

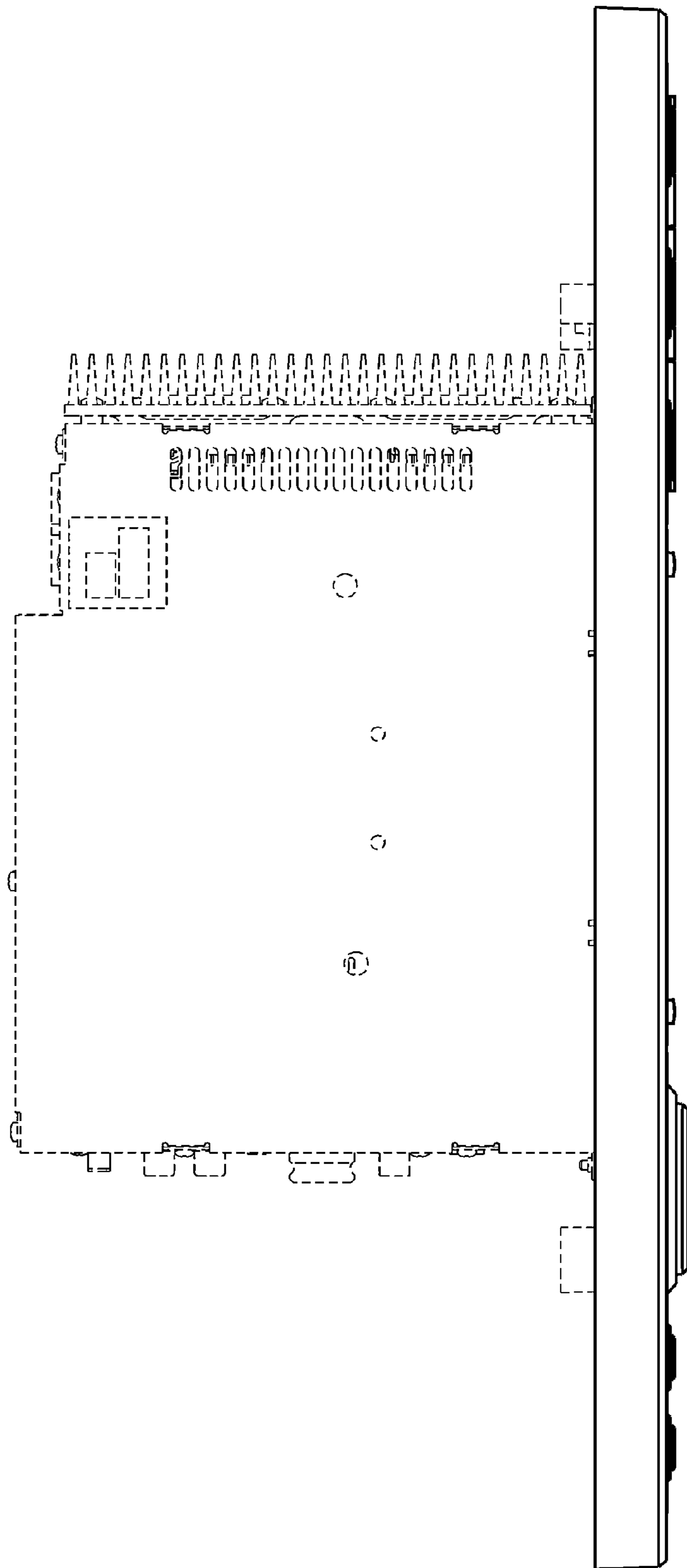


Fig. 4

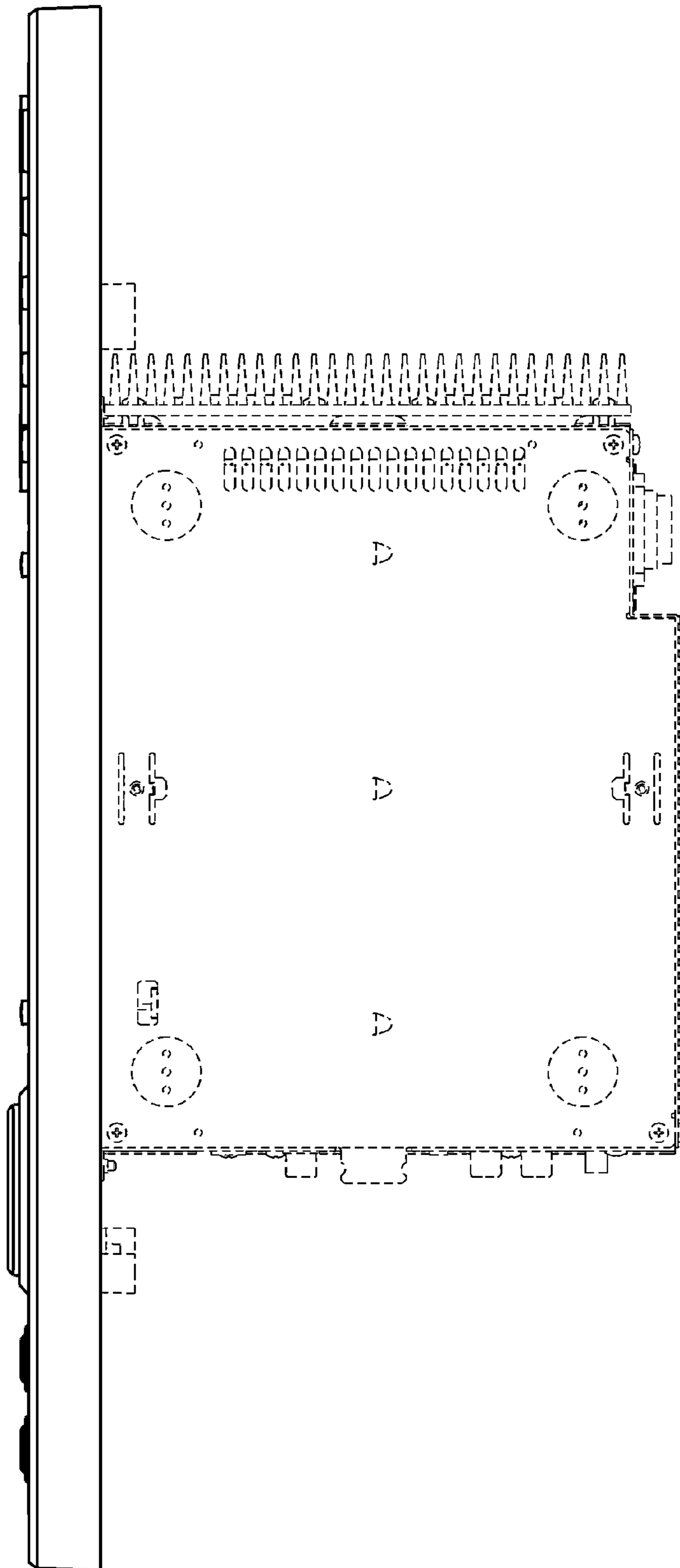


Fig. 5

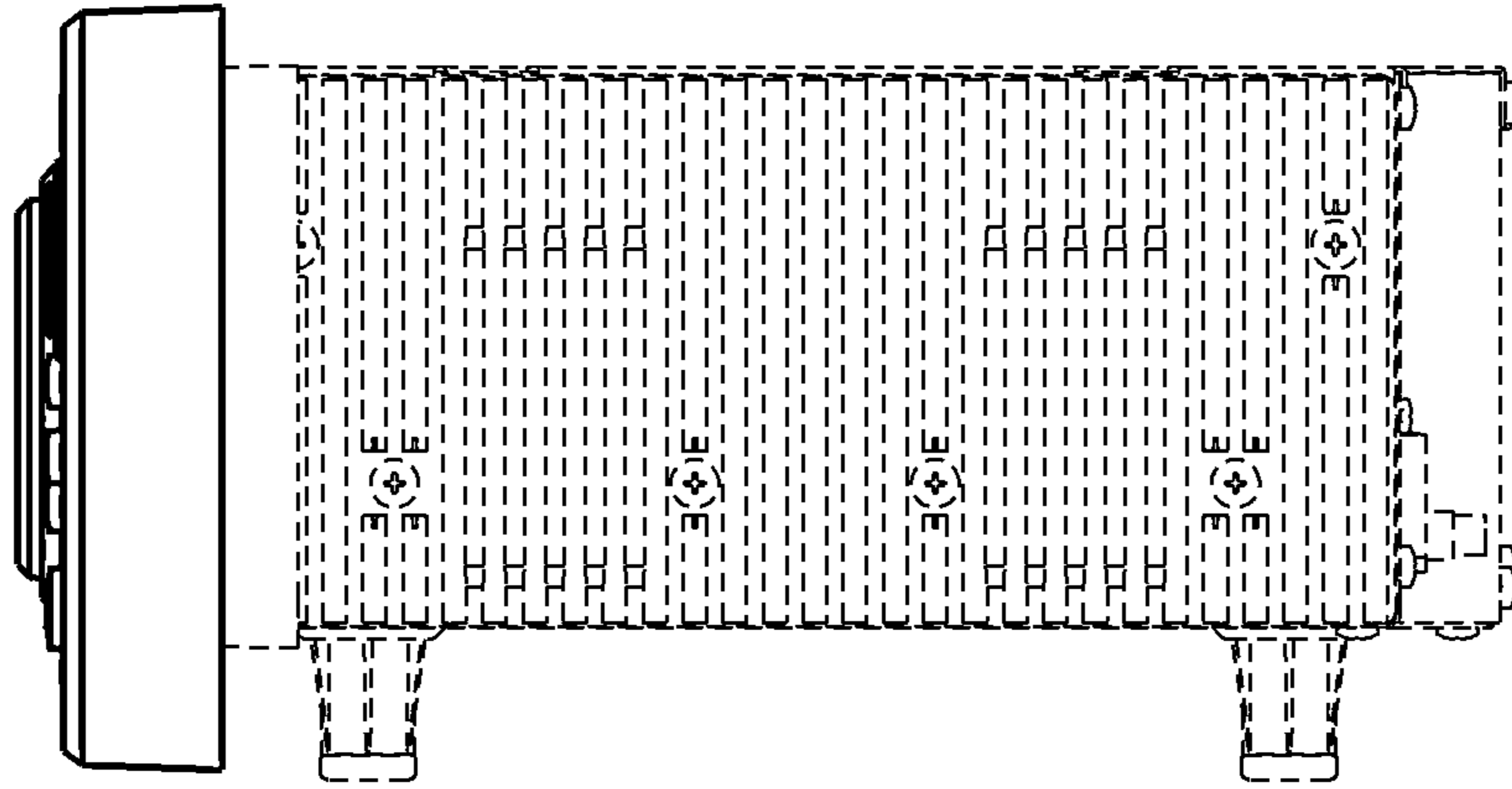


Fig. 6

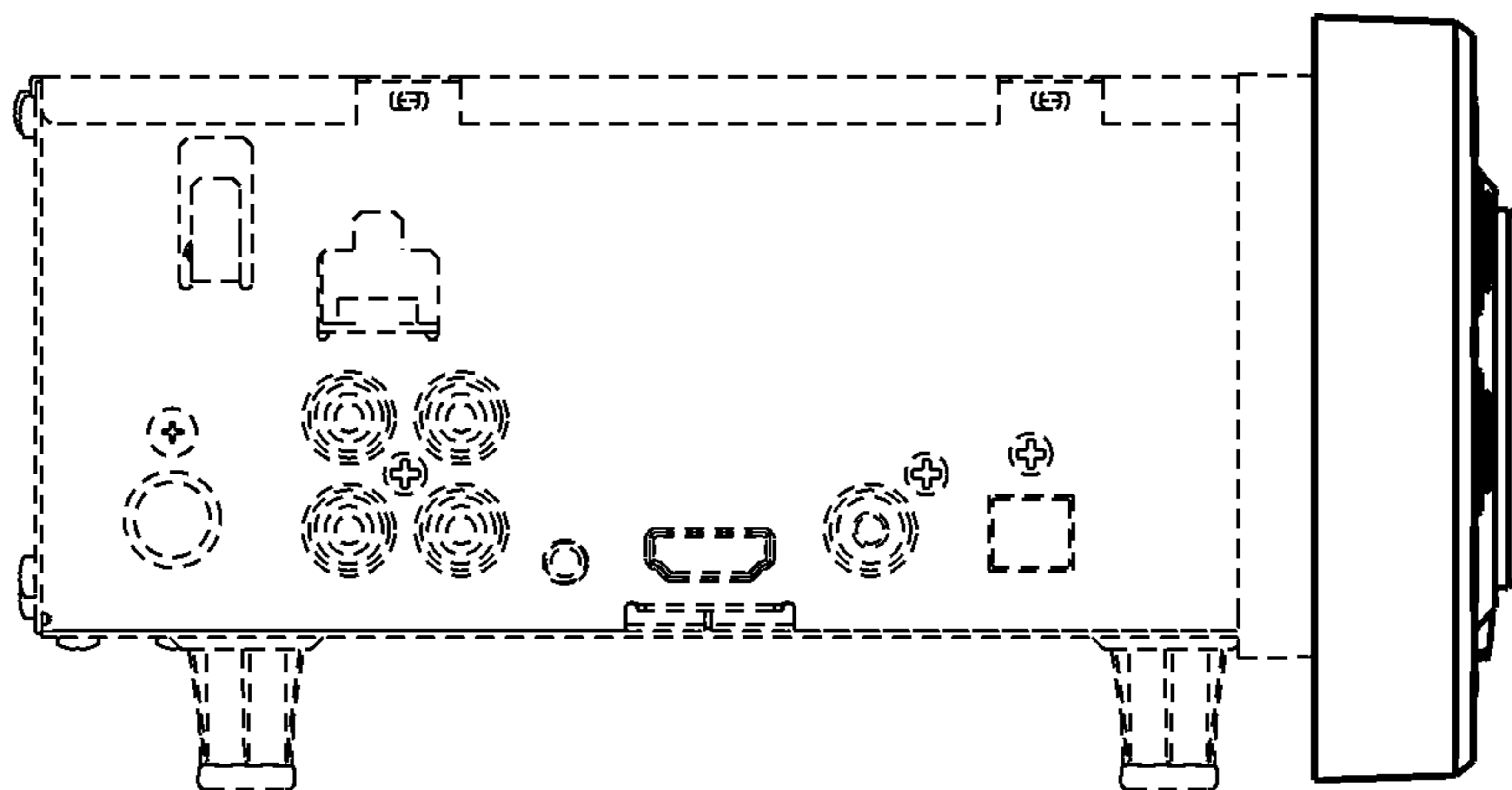


Fig. 7