



US00D737242S

(12) **United States Design Patent**
Nakahira et al.

(10) **Patent No.:** **US D737,242 S**
(45) **Date of Patent:** **** Aug. 25, 2015**

- (54) **SERVO AMPLIFIER**
- (71) Applicant: **Mitsubishi Electric Corporation**,
Chiyoda-ku, Tokyo (JP)
- (72) Inventors: **Takashi Nakahira**, Tokyo (JP);
Takanori Miyake, Tokyo (JP); **Masaaki**
Kadoyanagi, Tokyo (JP)
- (73) Assignee: **Mitsubishi Electric Corporation**,
Tokyo (JP)
- (**) Term: **14 Years**
- (21) Appl. No.: **29/508,156**
- (22) Filed: **Nov. 4, 2014**

Related U.S. Application Data

- (62) Division of application No. 29/453,779, filed on May 2, 2013, now Pat. No. Des. 724,051.

(30) **Foreign Application Priority Data**

- Nov. 15, 2012 (JP) 2012-027899
- Nov. 15, 2012 (JP) 2012-027900

- (51) **LOC (10) Cl.** **14-03**

- (52) **U.S. Cl.**
USPC **D14/188**; D13/110

- (58) **Field of Classification Search**
USPC D14/162, 167-169, 175, 179, 188,
D14/194-198, 217, 257, 265, 299, 496;
330/1 R, 3, 4, 250; 381/86, 120;
455/344-351; D13/110
See application file for complete search history.

(56) **References Cited**

U.S. PATENT DOCUMENTS

- D366,867 S 2/1996 Kurokawa et al.
- D449,817 S 10/2001 Takeuchi et al.

- D455,399 S 4/2002 Imamura et al.
- D478,061 S 8/2003 Abe et al.
- D479,219 S 9/2003 Abe et al.
- D573,945 S 7/2008 Park
- D621,350 S * 8/2010 Huang et al. D13/110
- D621,351 S 8/2010 Huang et al.
- D623,592 S 9/2010 Huang et al.
- D631,436 S 1/2011 Huang et al.
- D682,207 S 5/2013 Nakahira et al.
- D694,735 S 12/2013 Wilson
- D707,197 S 6/2014 Jaenecke et al.
- D718,733 S * 12/2014 Kishita et al. D14/140.2
- D724,051 S * 3/2015 Nakahira et al. D14/188
- D724,052 S * 3/2015 Nakahira et al. D14/188

* cited by examiner

Primary Examiner — Keli L Hill

(74) *Attorney, Agent, or Firm* — Sughrue Mion, PLLC;
Richard C. Turner

(57) **CLAIM**

The ornamental design for a servo amplifier, as shown and described.

DESCRIPTION

FIG. 1 is a front, top and right side perspective view of a servo amplifier, showing an embodiment of our new design;
 FIG. 2 is a rear, bottom and left side perspective view of the servo amplifier, showing the embodiment;
 FIG. 3 is a front elevational view thereof;
 FIG. 4 is a rear elevational view thereof;
 FIG. 5 is a left side elevational view thereof;
 FIG. 6 is a right side elevational view thereof;
 FIG. 7 is a top plan view thereof; and,
 FIG. 8 is a bottom plan view thereof.

1 Claim, 6 Drawing Sheets

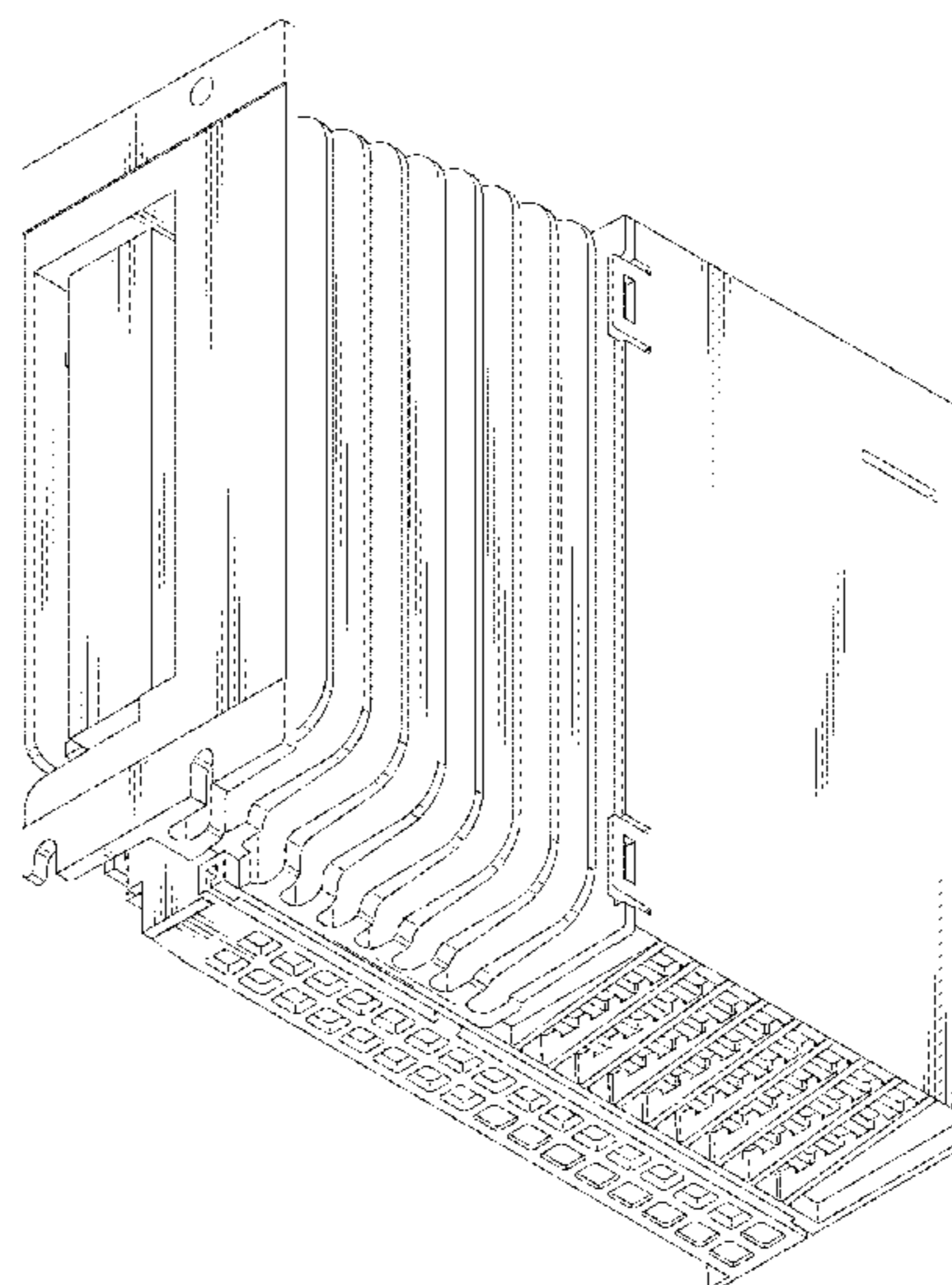
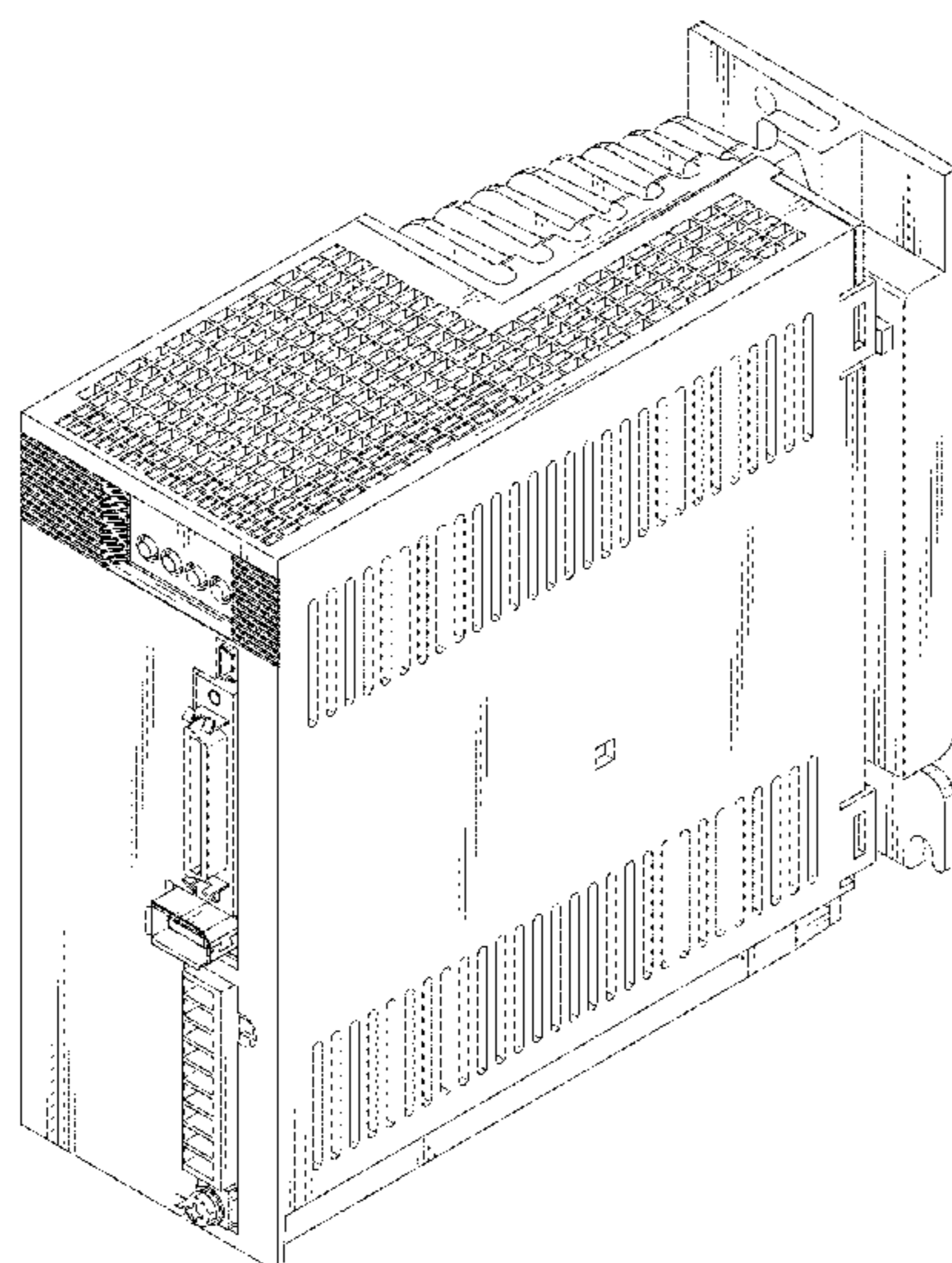


Fig. 1

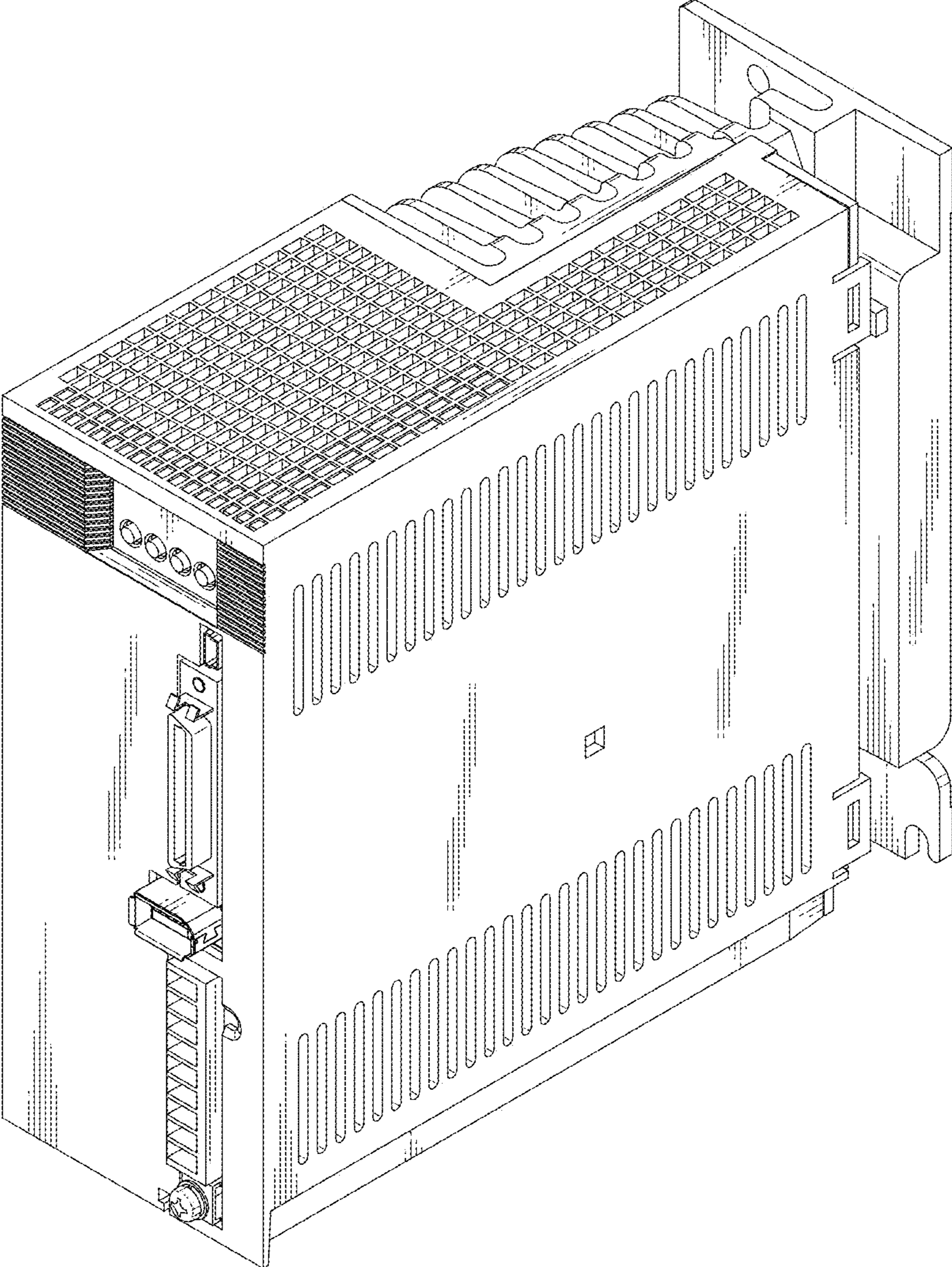


Fig. 2

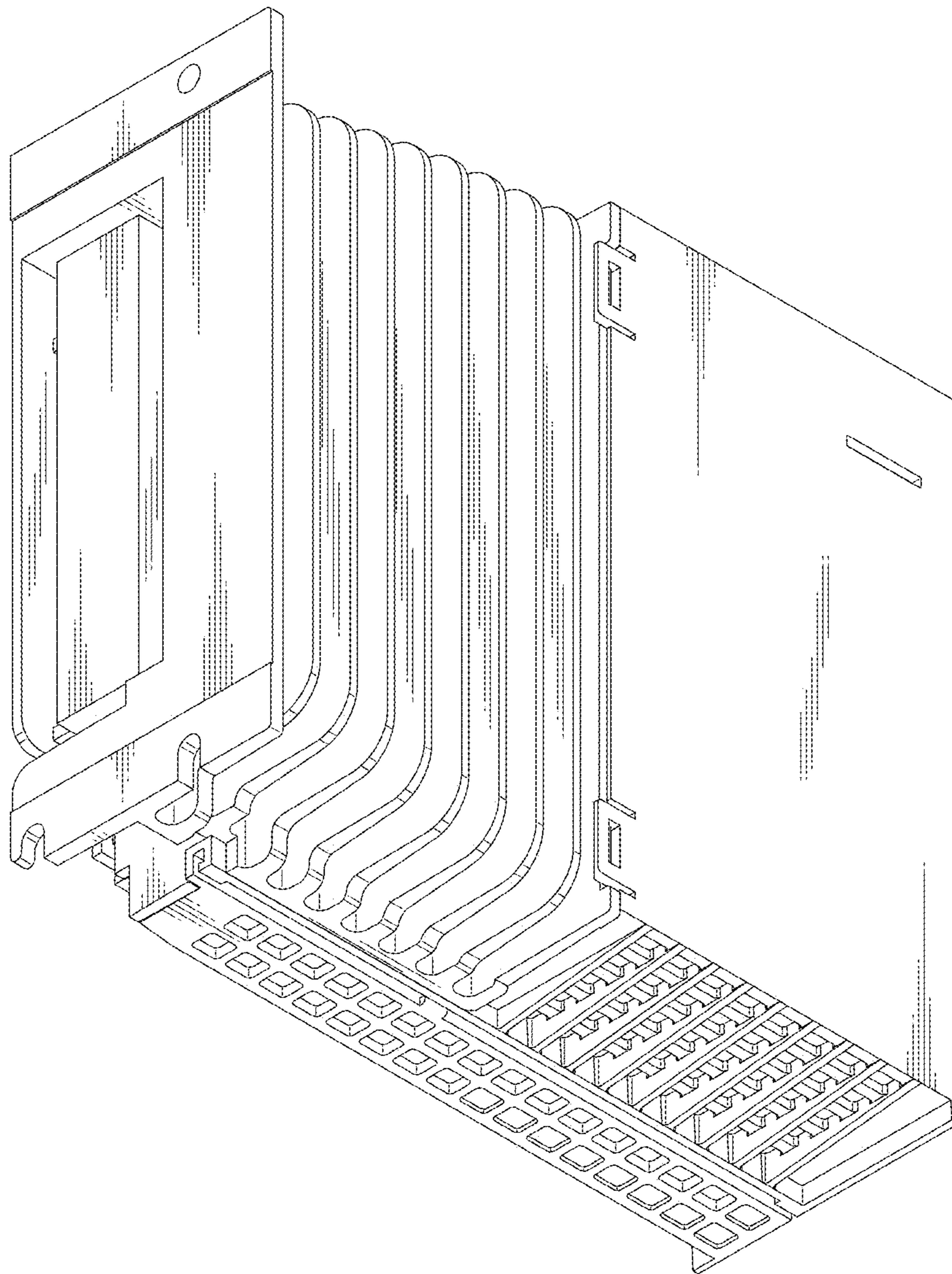


Fig. 3

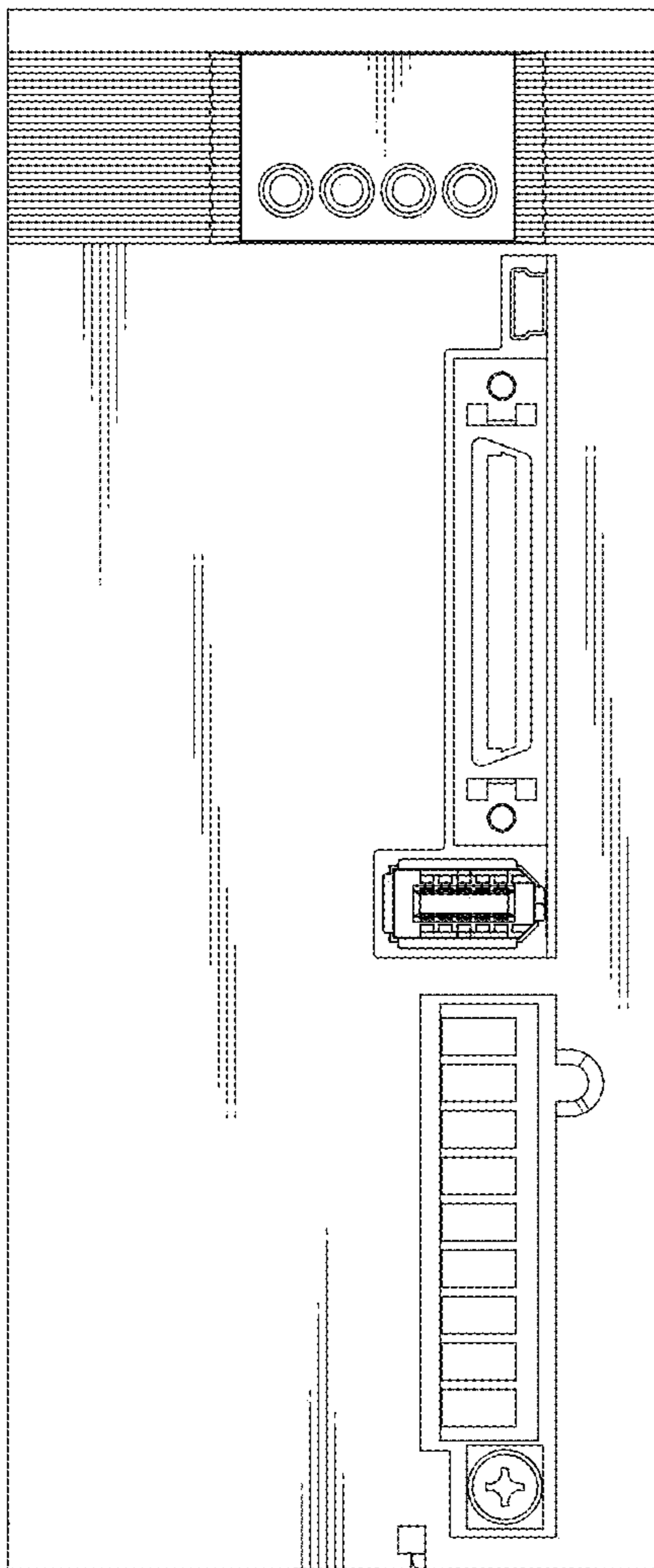


Fig. 4

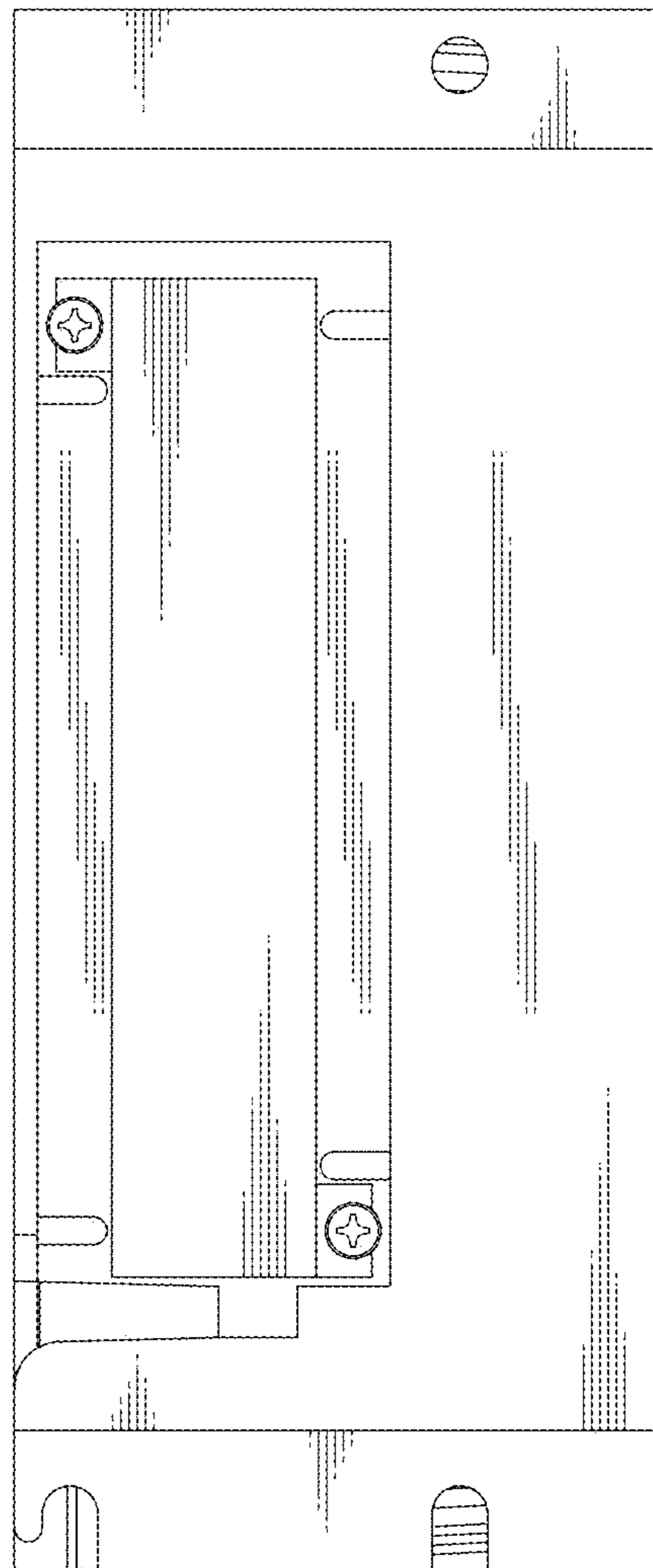


Fig. 5

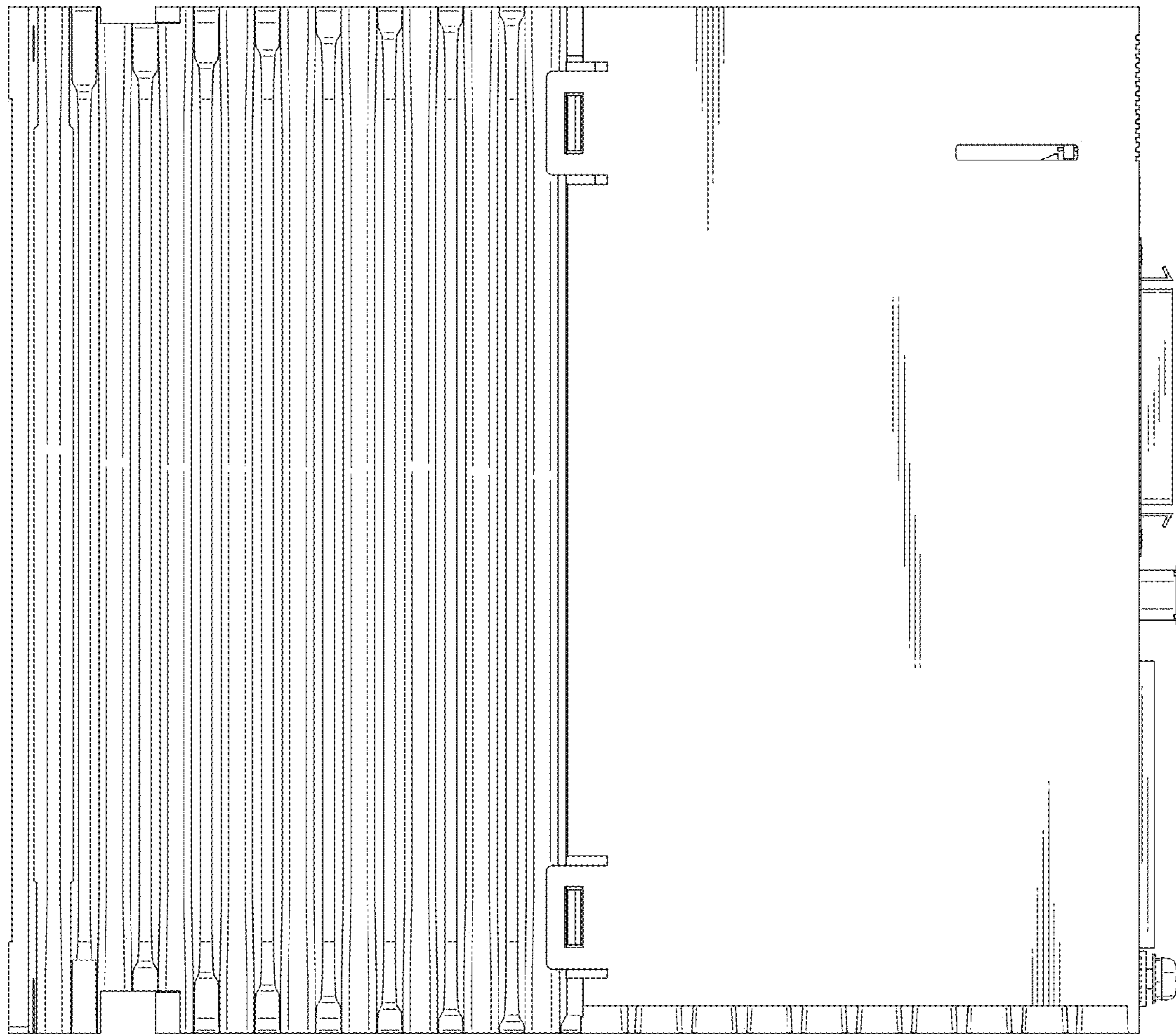


Fig. 6

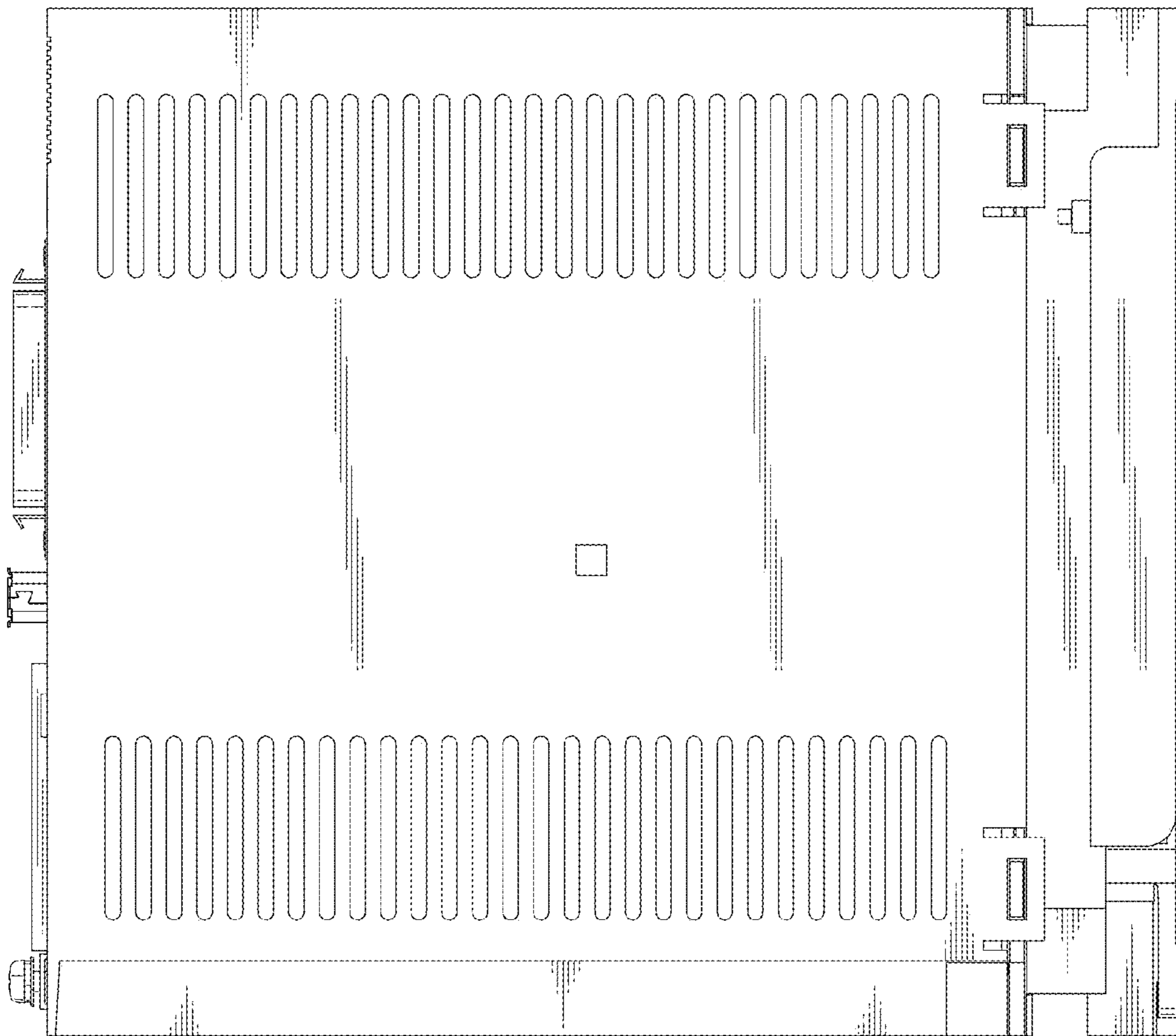


Fig. 7

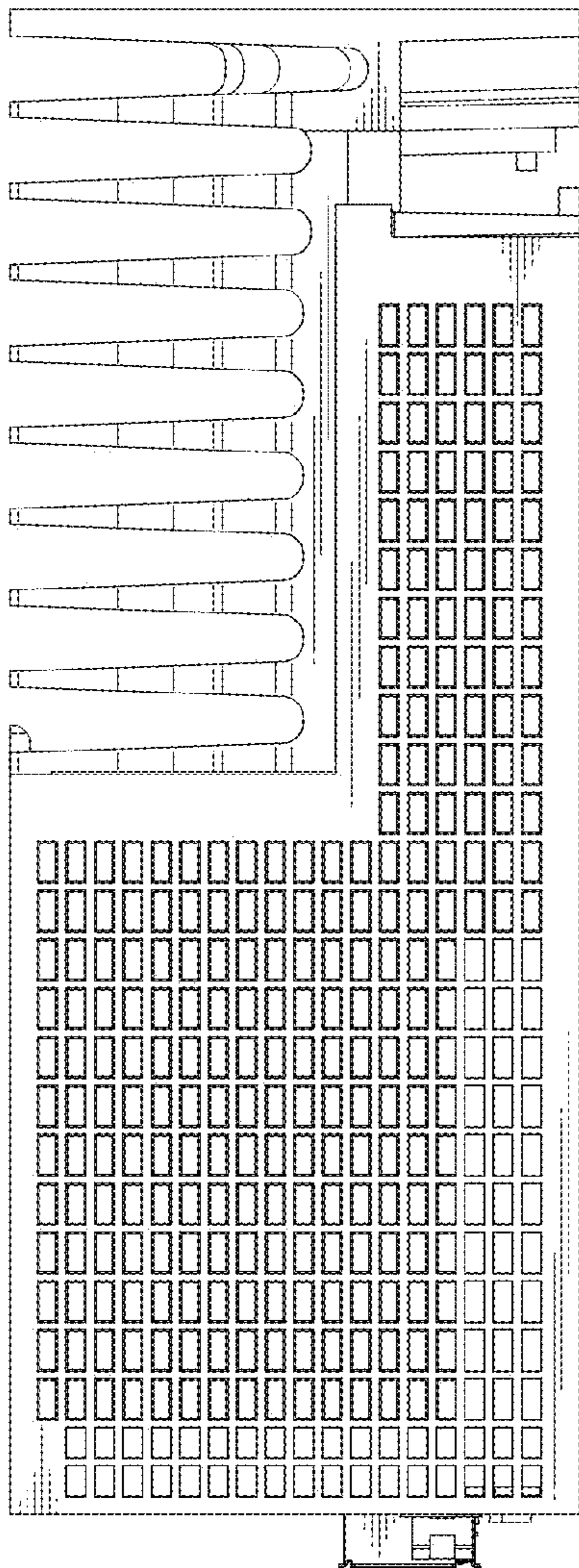


Fig. 8

