

US00D737241S

(12) **United States Design Patent**
Duran et al.

(10) **Patent No.:** **US D737,241 S**
(45) **Date of Patent:** **** Aug. 25, 2015**

(54) **MULTICHANNEL RADIO**

(56) **References Cited**

(71) Applicant: **HARRIS CORPORATION**,
Melbourne, FL (US)
(72) Inventors: **Jose R. Duran**, Williamson, NY (US);
David Cipolla, Macedon, NY (US);
Daryl W. Coulon, Webster, NY (US);
Richard S. Currier, Rochester, NY
(US); **Jason Scott**, W. Henrietta, NY
(US); **Howard M. Sheehan**, Bloomfield,
NY (US); **Adam Templeton**, Honeoye
Falls, NY (US); **Thomas A. Wertman**,
Churchville, NY (US); **William E.**
Wheatley, Rochester, NY (US)

U.S. PATENT DOCUMENTS

D435,034	S	*	12/2000	Tejima	D14/168
D500,752	S	*	1/2005	Uehara et al.	D14/188
D512,707	S	*	12/2005	Chen et al.	D14/188
D575,266	S	*	8/2008	Nishida	D14/198
D599,775	S	*	9/2009	Onoue	D14/188
D603,835	S	*	11/2009	Onoue	D14/188
D608,340	S	*	1/2010	Nishizawa	D14/198
D615,525	S	*	5/2010	Emge et al.	D14/188
D671,094	S	*	11/2012	Kokawa et al.	D14/198

* cited by examiner

Primary Examiner — Sandra Morris

(74) *Attorney, Agent, or Firm* — Robert J. Sacco, Esq.; Fox
Rothschild LLP

(73) Assignee: **Harris Corporation**, Melbourne, FL
(US)

(57) **CLAIM**

We claim the ornamental design for a multichannel radio, as
shown and described.

(**) Term: **14 Years**

DESCRIPTION

(21) Appl. No.: **29/493,551**

FIG. 1 is a front perspective view of a multichannel radio in
accordance with the present design;
FIG. 2 is a back perspective view thereof;
FIG. 3 is a front perspective view thereof;
FIG. 4 is a back view thereof;
FIG. 5 is a left side view thereof;
FIG. 6 is a right side view thereof;
FIG. 7 is a top view thereof; and,
FIG. 8 is a bottom view thereof.
The broken lines in FIG. 8 are included for the purpose of
illustrating a portion of the bottom that forms no part of the
claimed design.

(22) Filed: **Jun. 11, 2014**

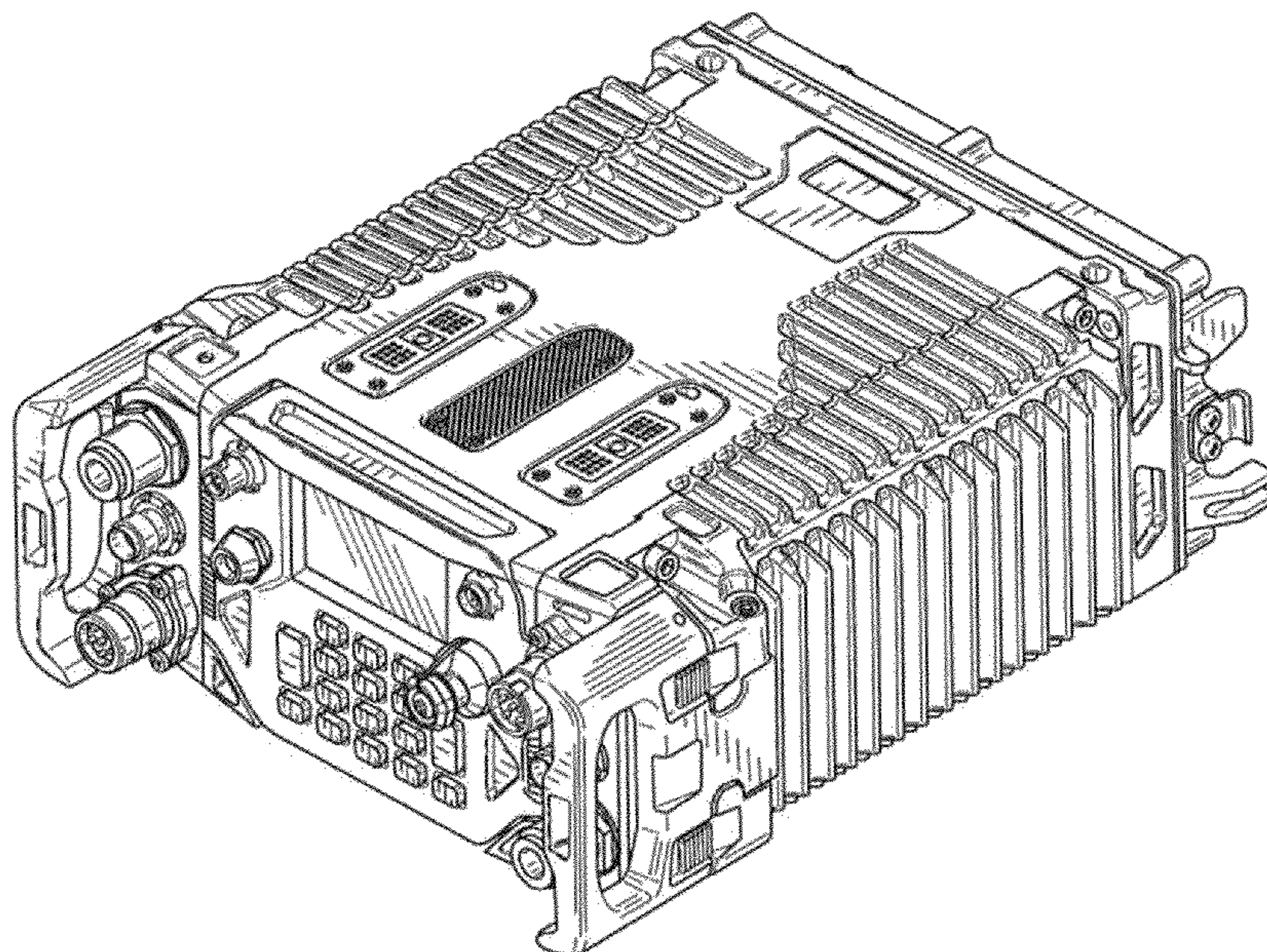
(51) **LOC (10) Cl.** **14-03**

(52) **U.S. Cl.**
USPC **D14/188**

(58) **Field of Classification Search**
USPC D14/496, 498–511, 157, 168–171,
D14/188–198, 203.1–203.7; 312/7.1;
369/6–12; 370/342–344;
455/90.1–90.3, 344–355
CPC H04B 1/06; H04B 1/08; H04M 1/04;
H04M 1/21; H04W 4/02; H04W 4/06

See application file for complete search history.

1 Claim, 8 Drawing Sheets



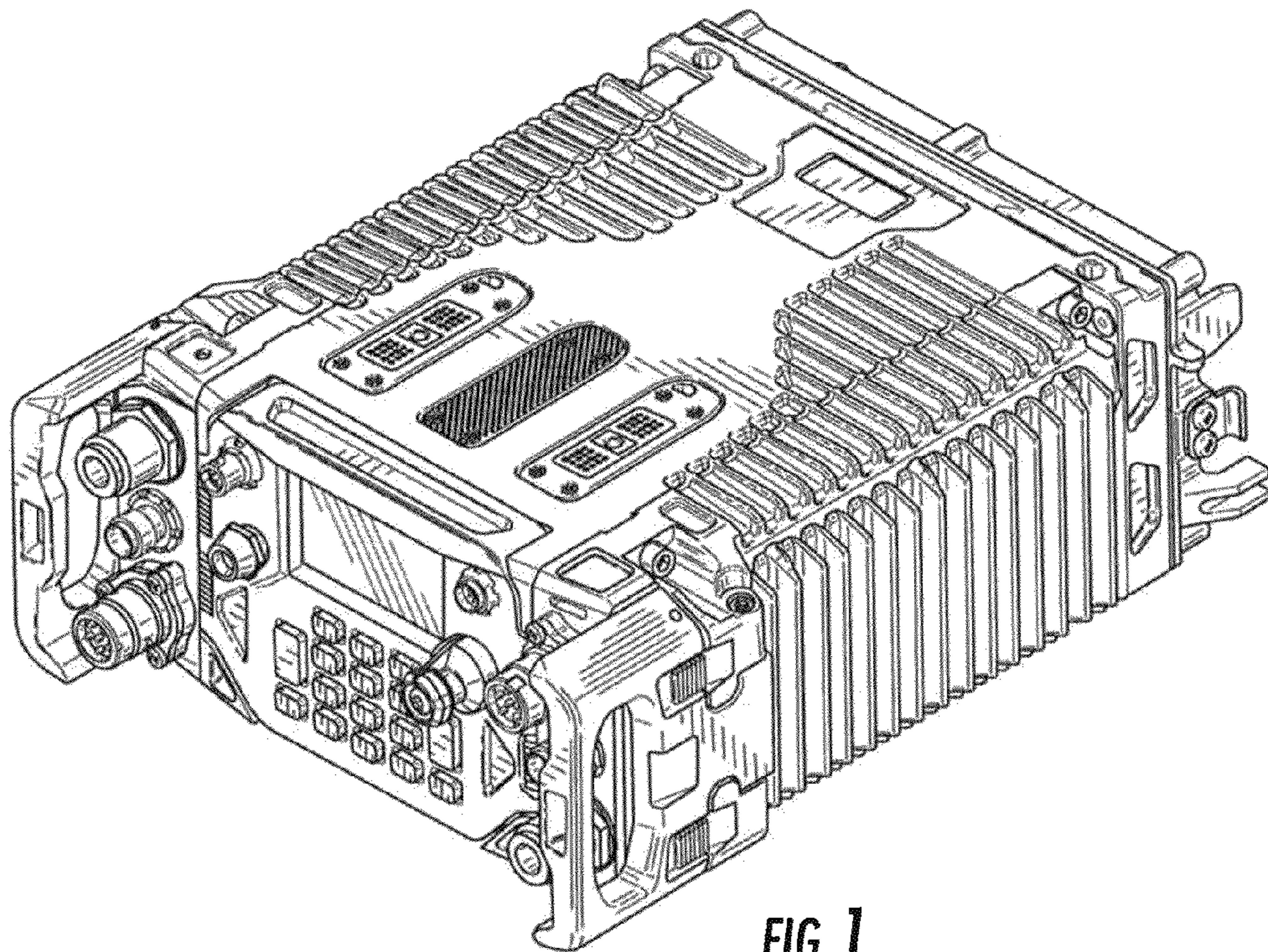


FIG. 1

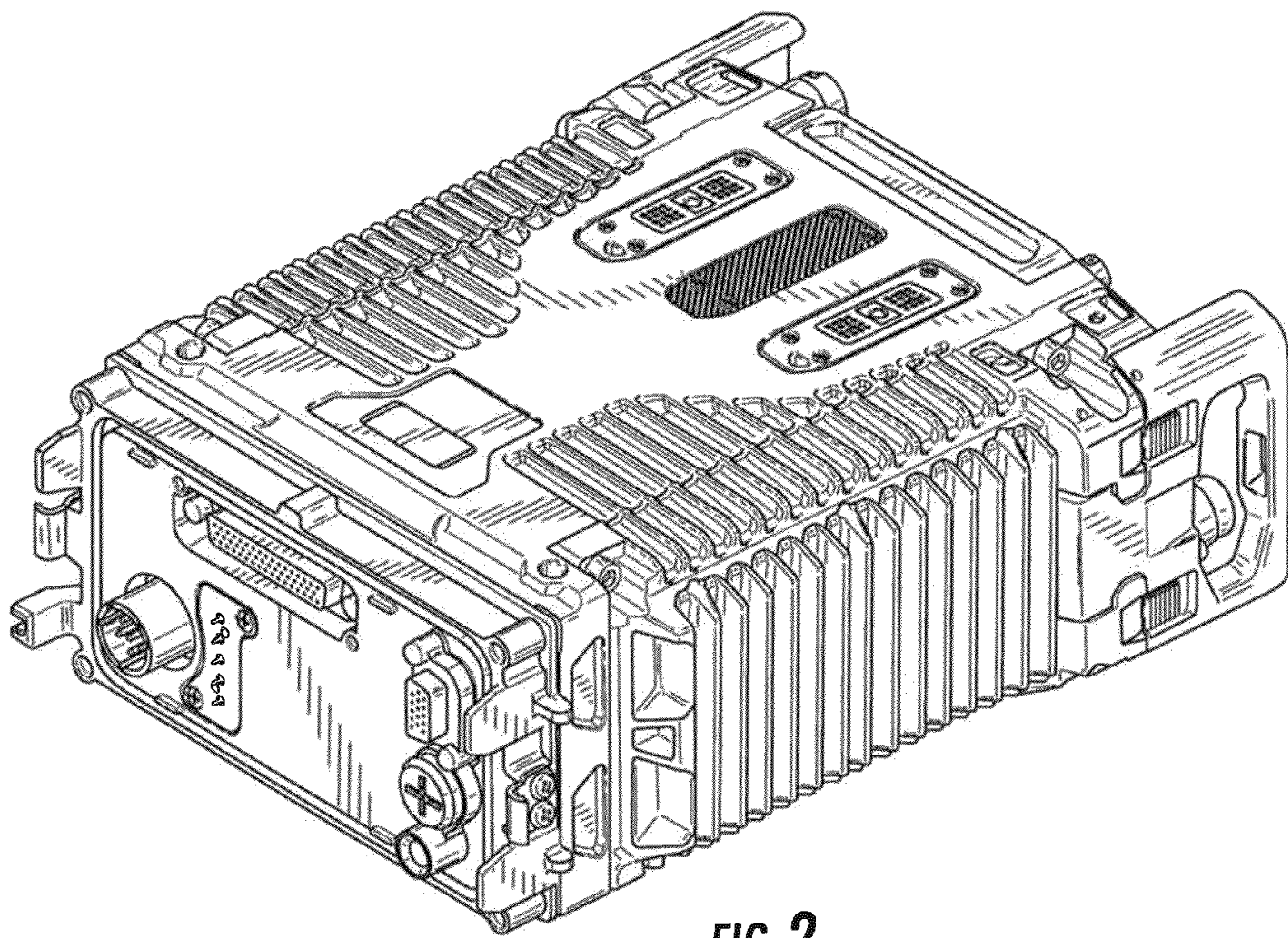


FIG. 2

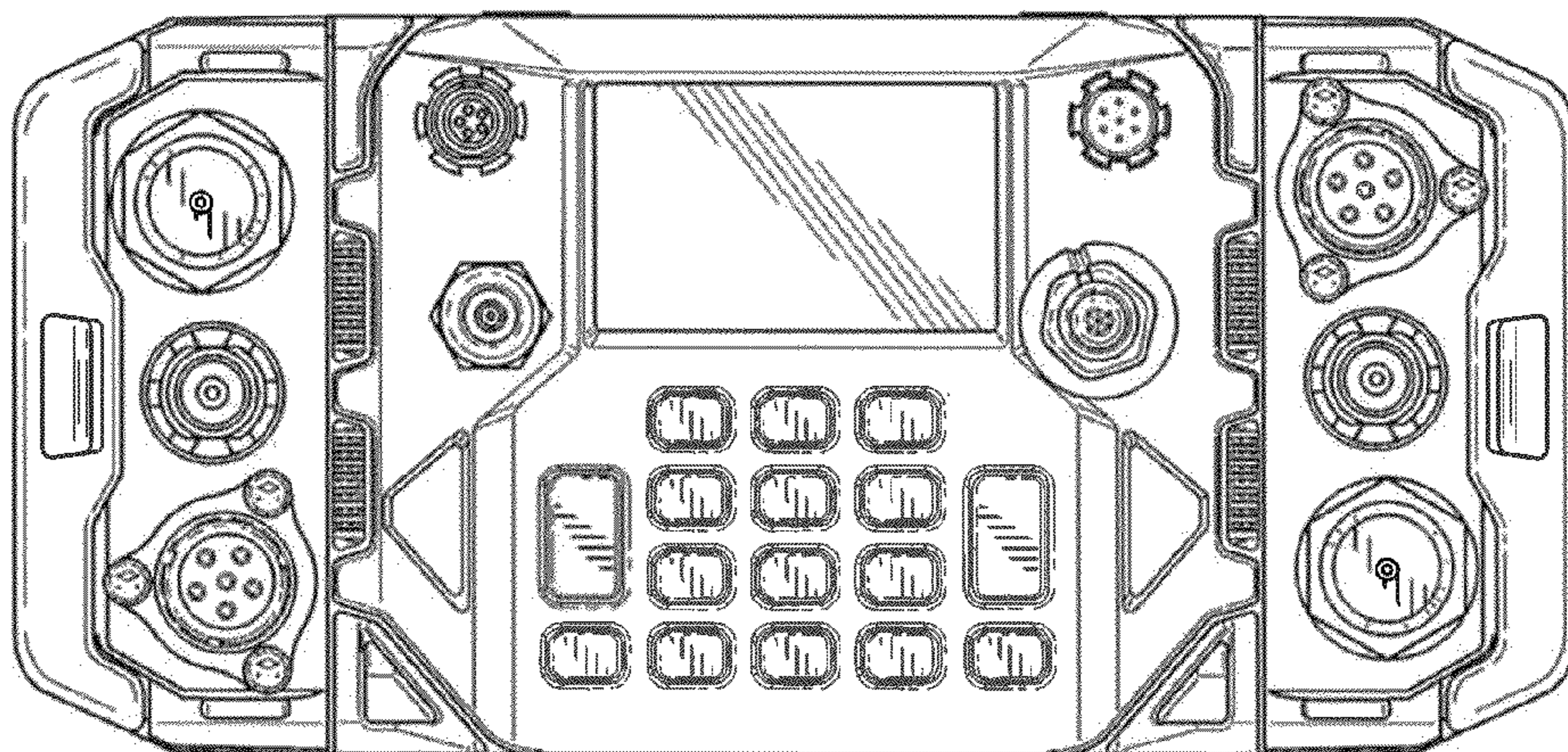


FIG. 3

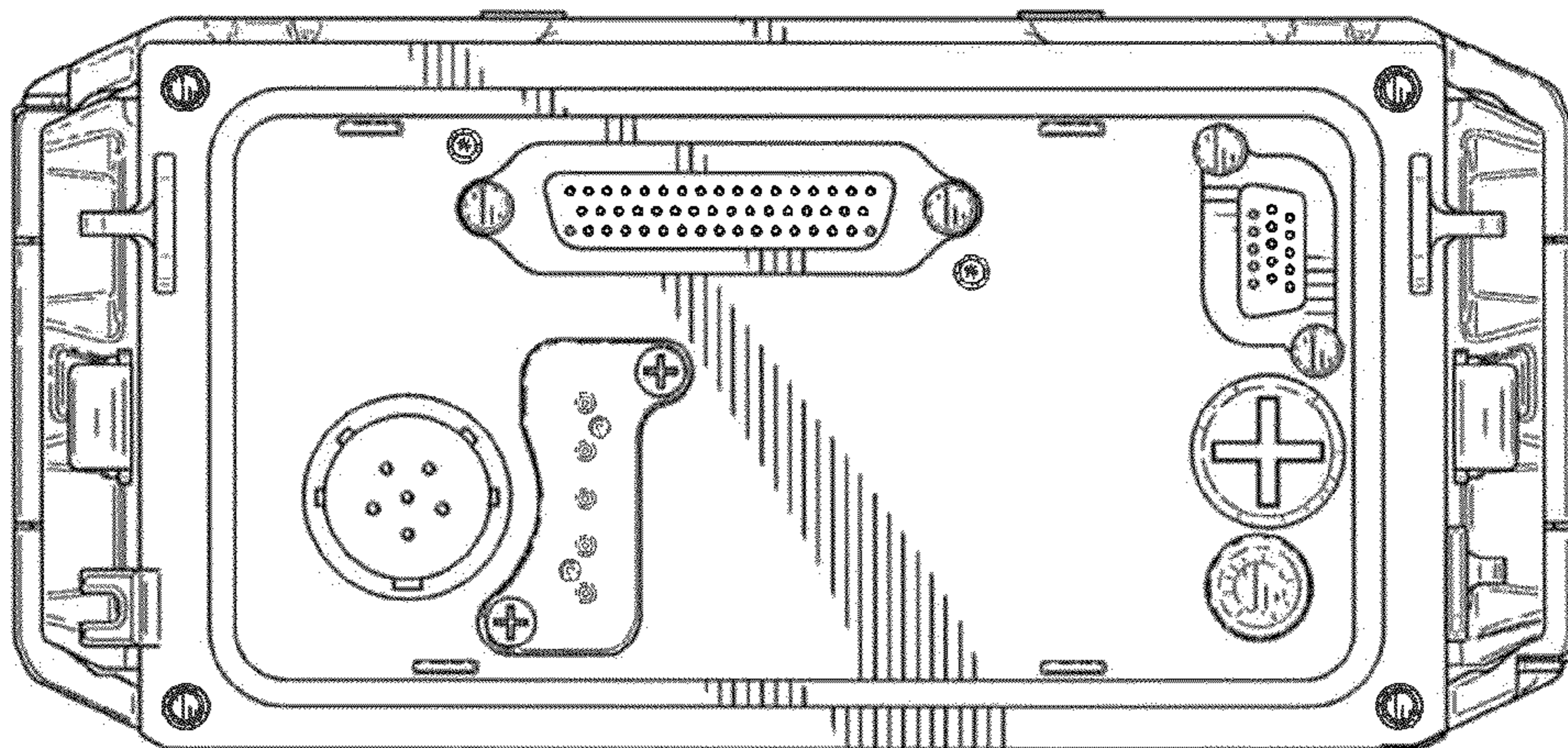


FIG. 4

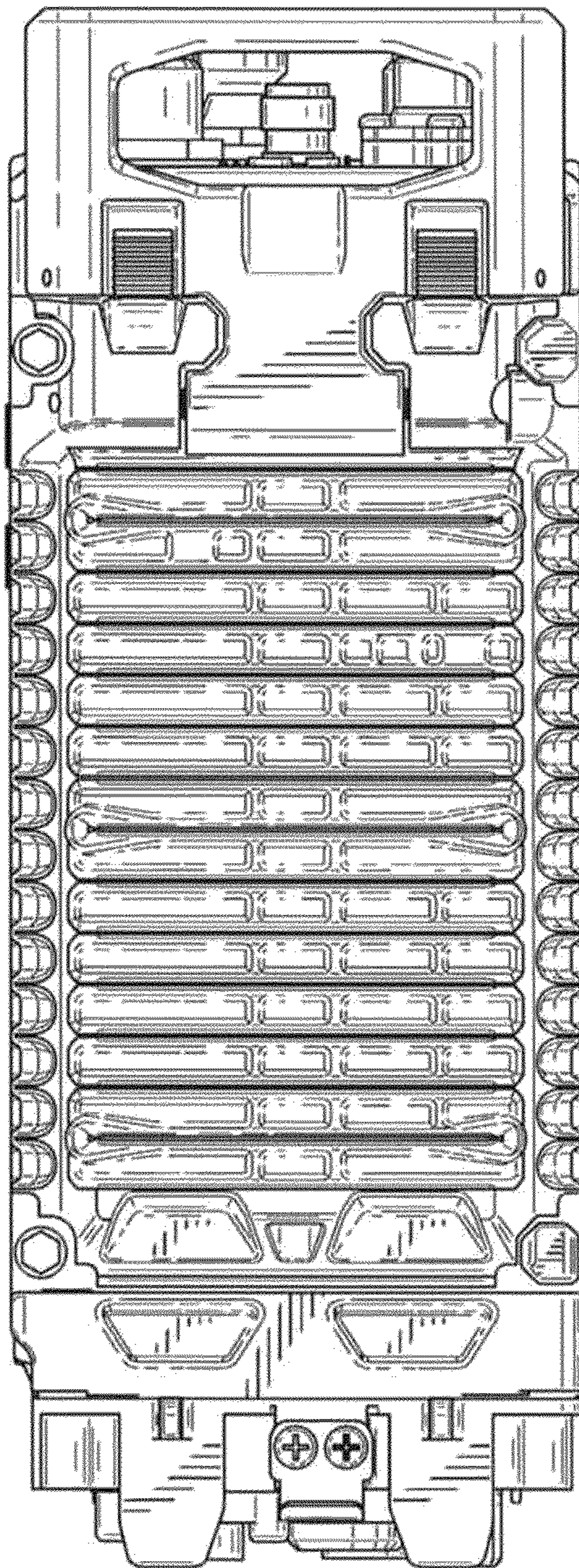


FIG. 5

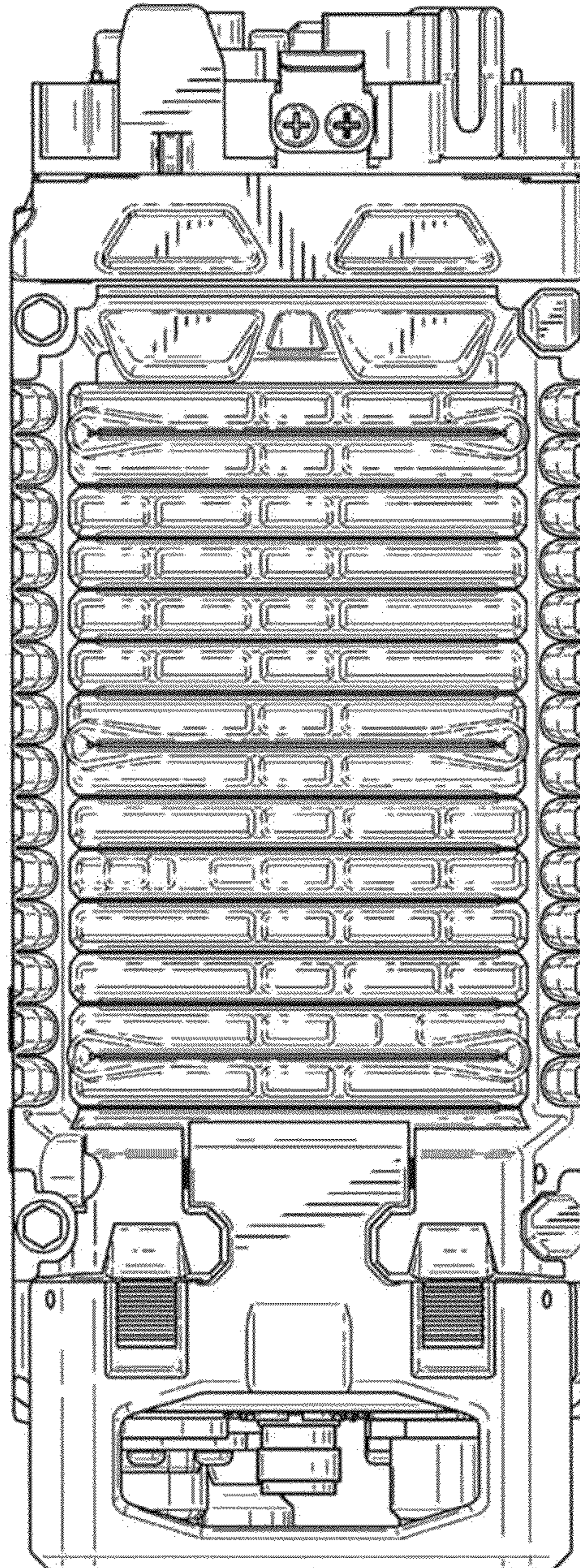


FIG. 6

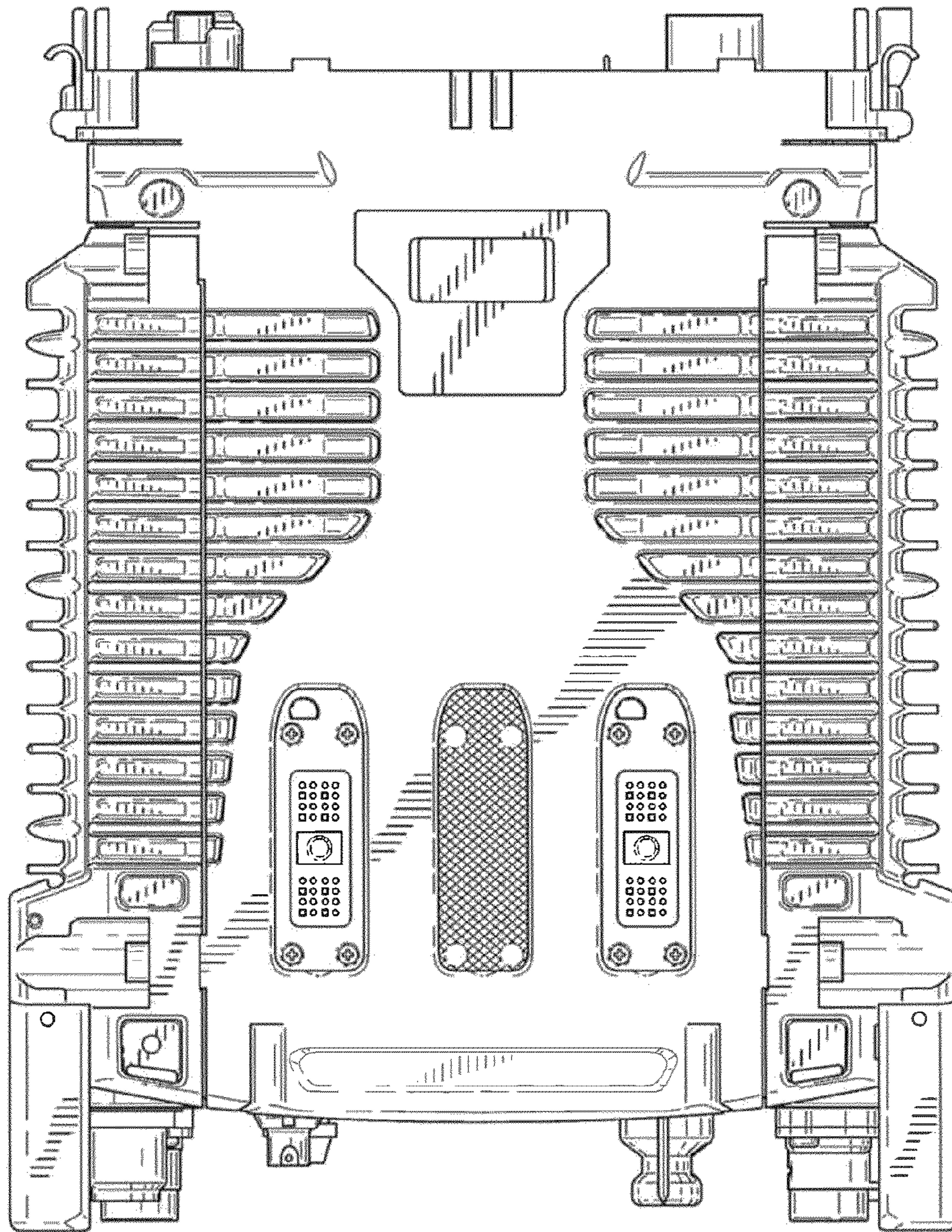


FIG. 7

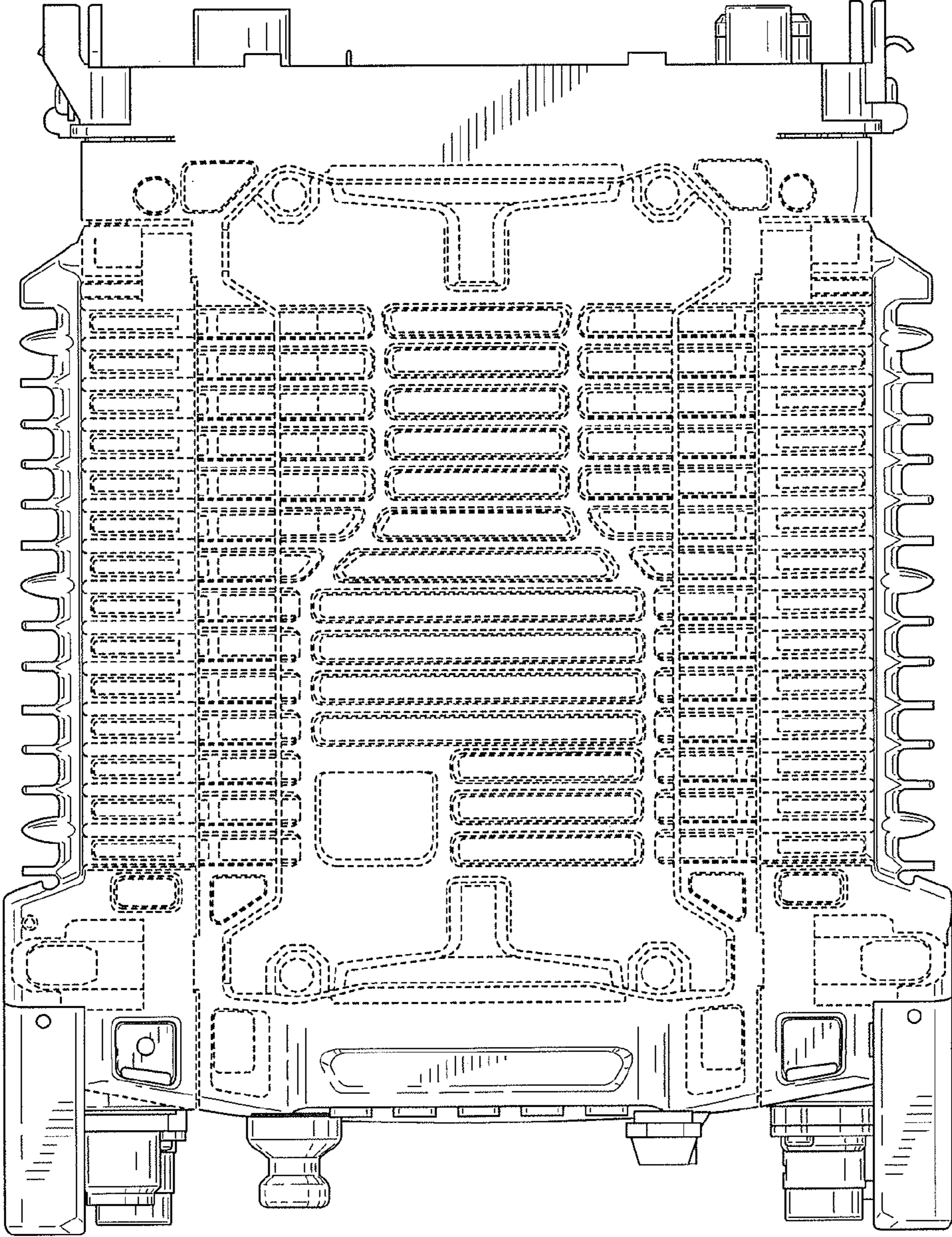


FIG. 8