



US00D737234S

(12) **United States Design Patent**  
**Kim**

(10) **Patent No.:** **US D737,234 S**

(45) **Date of Patent:** **\*\* Aug. 25, 2015**

(54) **TV RECEIVER**

(71) Applicant: **Samsung Electronics Co., Ltd.**,  
Suwon-si (KR)

(72) Inventor: **Jigwang Kim**, Seoul (KR)

(73) Assignee: **Samsung Electronics Co., Ltd.**,  
Suwon-si (KR)

(\*\*) Term: **14 Years**

(21) Appl. No.: **29/477,799**

(22) Filed: **Dec. 27, 2013**

(30) **Foreign Application Priority Data**

Jul. 5, 2013 (KR) ..... 30-2013-0034571

(51) **LOC (10) Cl.** ..... **14-03**

(52) **U.S. Cl.**  
USPC ..... **D14/126**

(58) **Field of Classification Search**  
USPC ..... D14/125-134, 239, 371, 374-377, 448,  
D14/450, 336, 159; D6/300; D10/15, 26;  
D21/329, 331, 333, 515, 577; 312/7.2;  
345/87, 104, 156, 168, 173, 690;  
446/175, 484; 273/148 B;  
248/917-924, 465, 274.1; 348/836,  
348/838, 180, 184, 325, 739  
CPC ..... H05K 5/0004; H05K 5/0017; H05K 5/02;  
H05K 5/0216; G06F 1/1601; G06F 1/1643  
See application file for complete search history.

(56) **References Cited**

**U.S. PATENT DOCUMENTS**

D460,056 S \* 7/2002 Niitsu ..... D14/126  
D540,275 S \* 4/2007 Lewis ..... D14/126  
D584,707 S \* 1/2009 Rieu Piquet ..... D14/129

D648,335 S \* 11/2011 Shiono ..... D14/374  
D650,765 S \* 12/2011 Ho ..... D14/126  
D677,637 S \* 3/2013 Kubota ..... D14/126  
D678,274 S \* 3/2013 Chiu ..... D14/371  
D680,088 S \* 4/2013 Park et al. .... D14/126  
D715,756 S \* 10/2014 Lim et al. .... D14/126  
D717,753 S \* 11/2014 Totsuka et al. .... D14/126  
D717,756 S \* 11/2014 Park et al. .... D14/126  
D722,033 S \* 2/2015 Kim ..... D14/126  
D725,639 S \* 3/2015 Kim ..... D14/239

\* cited by examiner

*Primary Examiner* — Eric Goodman

*Assistant Examiner* — Clese Moore, Jr.

(74) *Attorney, Agent, or Firm* — NSIP Law

(57) **CLAIM**

The ornamental design for a TV receiver, as shown and described.

**DESCRIPTION**

FIG. 1 is a front perspective view of a TV receiver showing my new design;

FIG. 2 is a front view thereof;

FIG. 3 is a rear view thereof;

FIG. 4 is a left-side view thereof;

FIG. 5 is a right-side view thereof;

FIG. 6 is a top view thereof;

FIG. 7 is a bottom view thereof;

FIG. 8 is an enlarged cross-sectional view of an encircled portion in FIG. 2; and,

FIG. 9 is another front perspective view, in which a TV receiver in broken lines is provided in an alternate position to illustrate an example environment.

The broken lines are for environmental purposes only and form no part of the claimed design.

The dash-dot-dot lines encircling portions of the claimed design that are illustrated in cross section form no part of the claimed design.

**1 Claim, 9 Drawing Sheets**

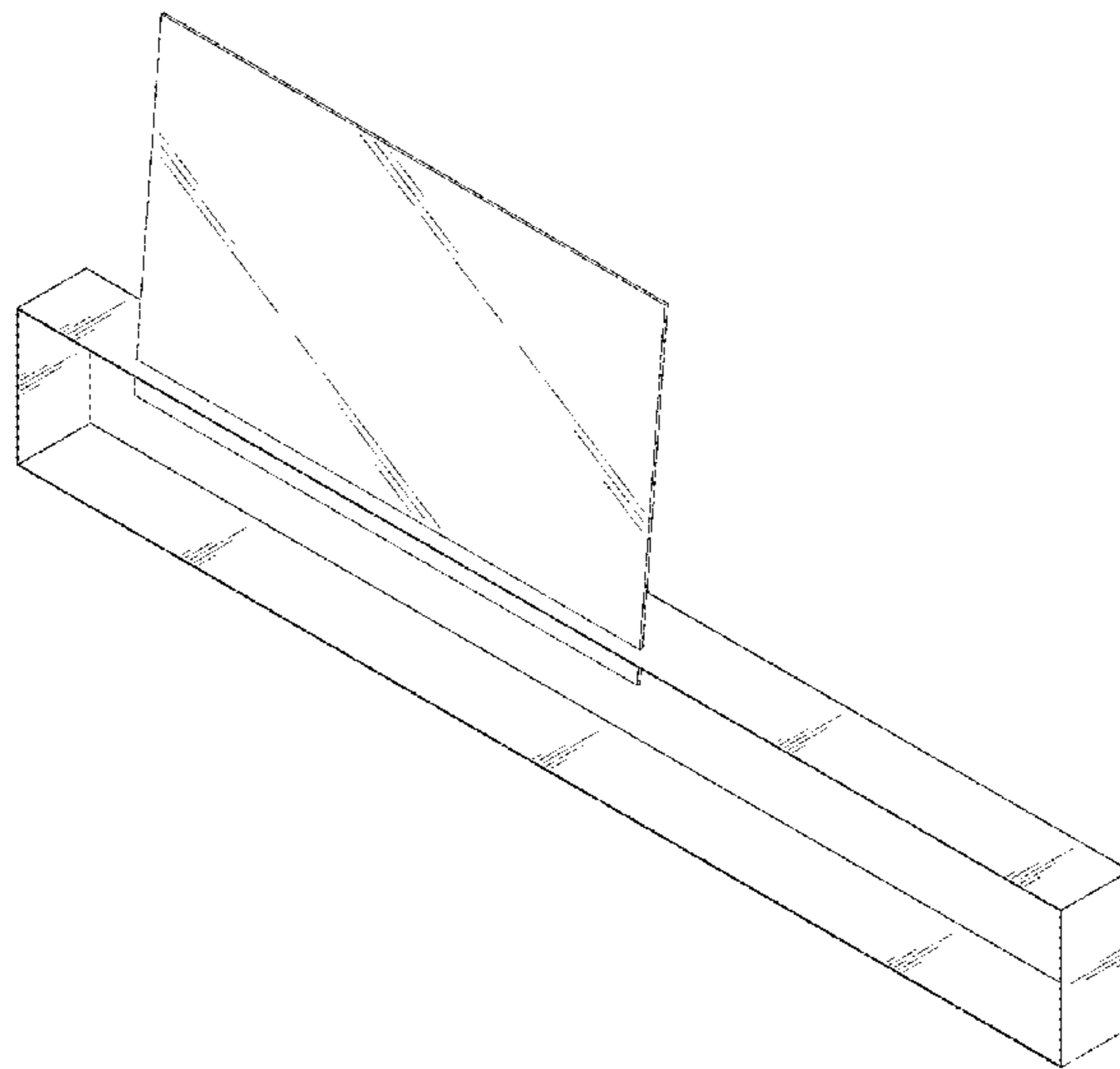


FIG. 1

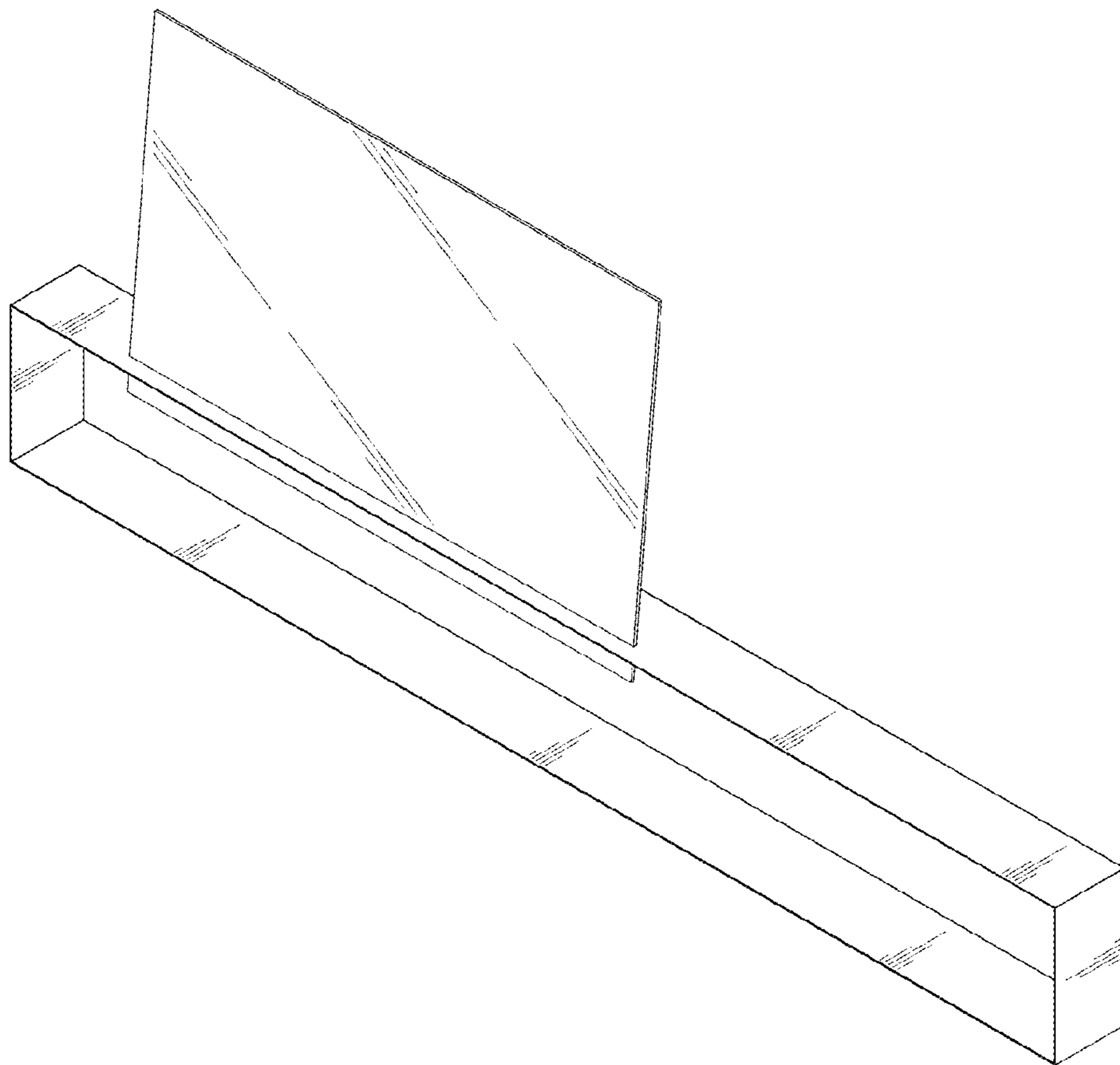


FIG. 2

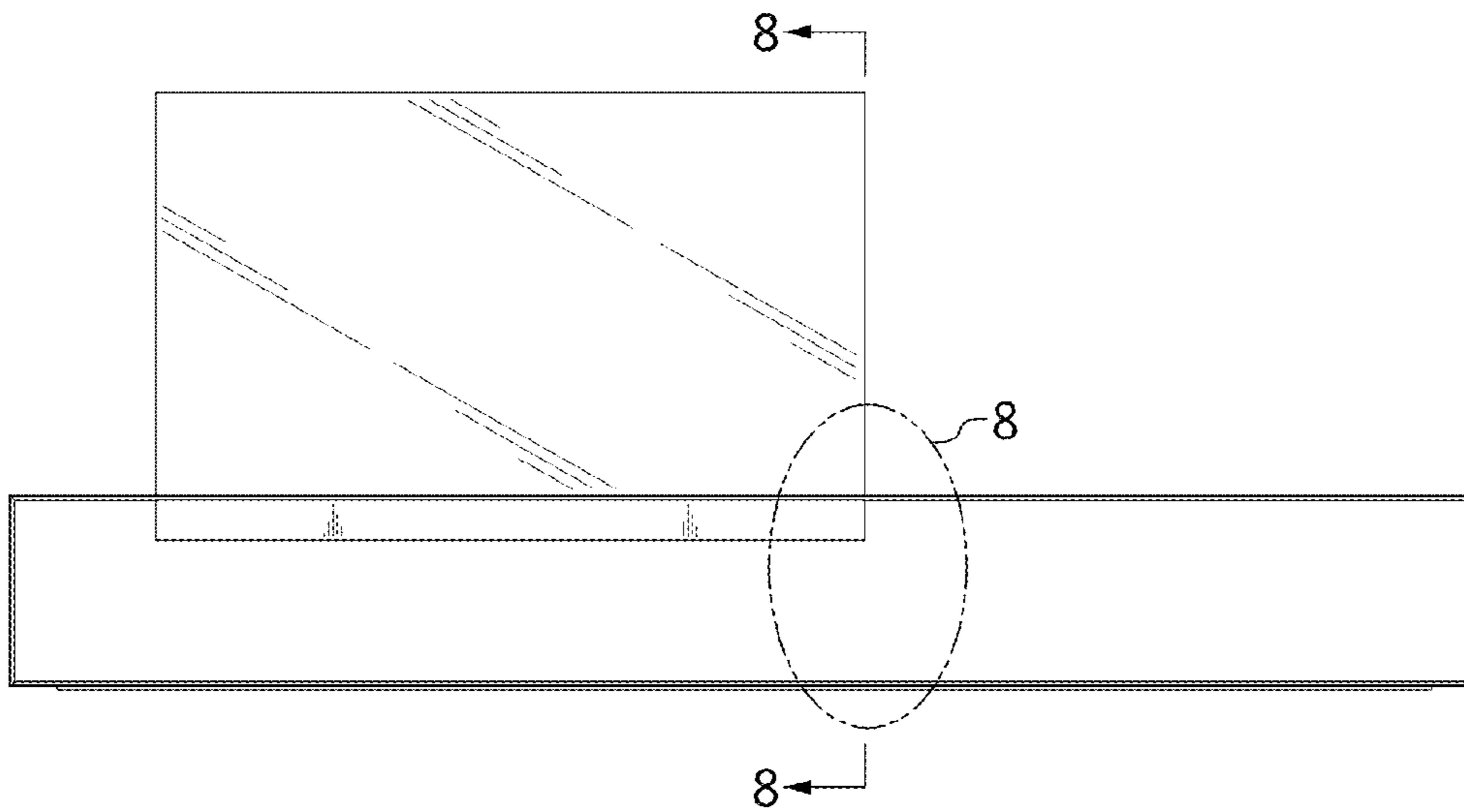


FIG. 3

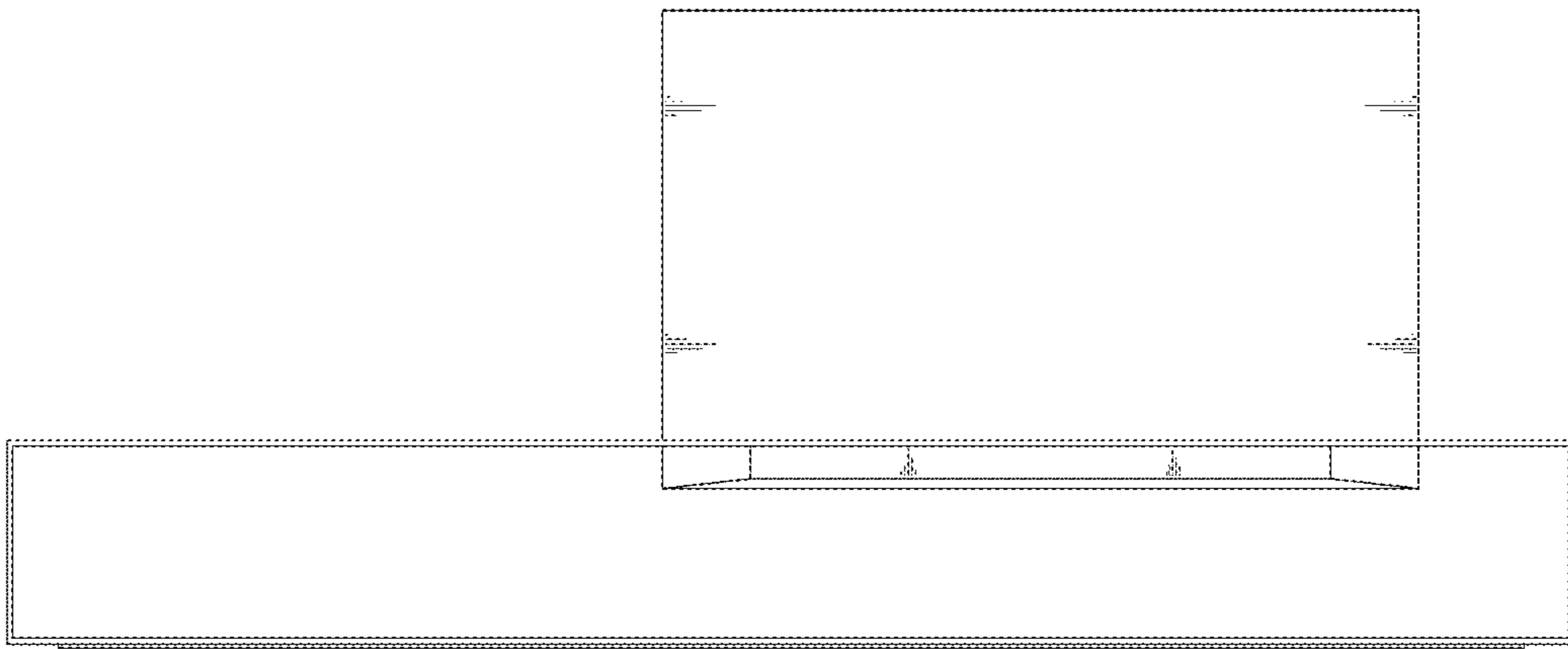


FIG. 4



FIG. 5



FIG. 6

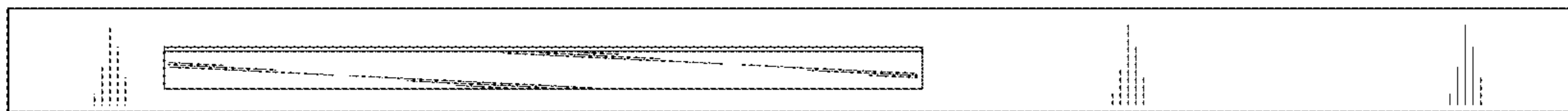


FIG. 7

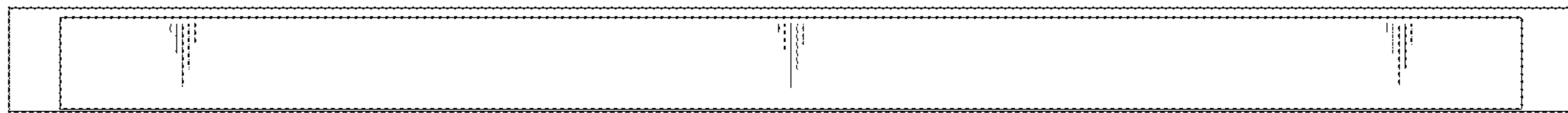




FIG. 8

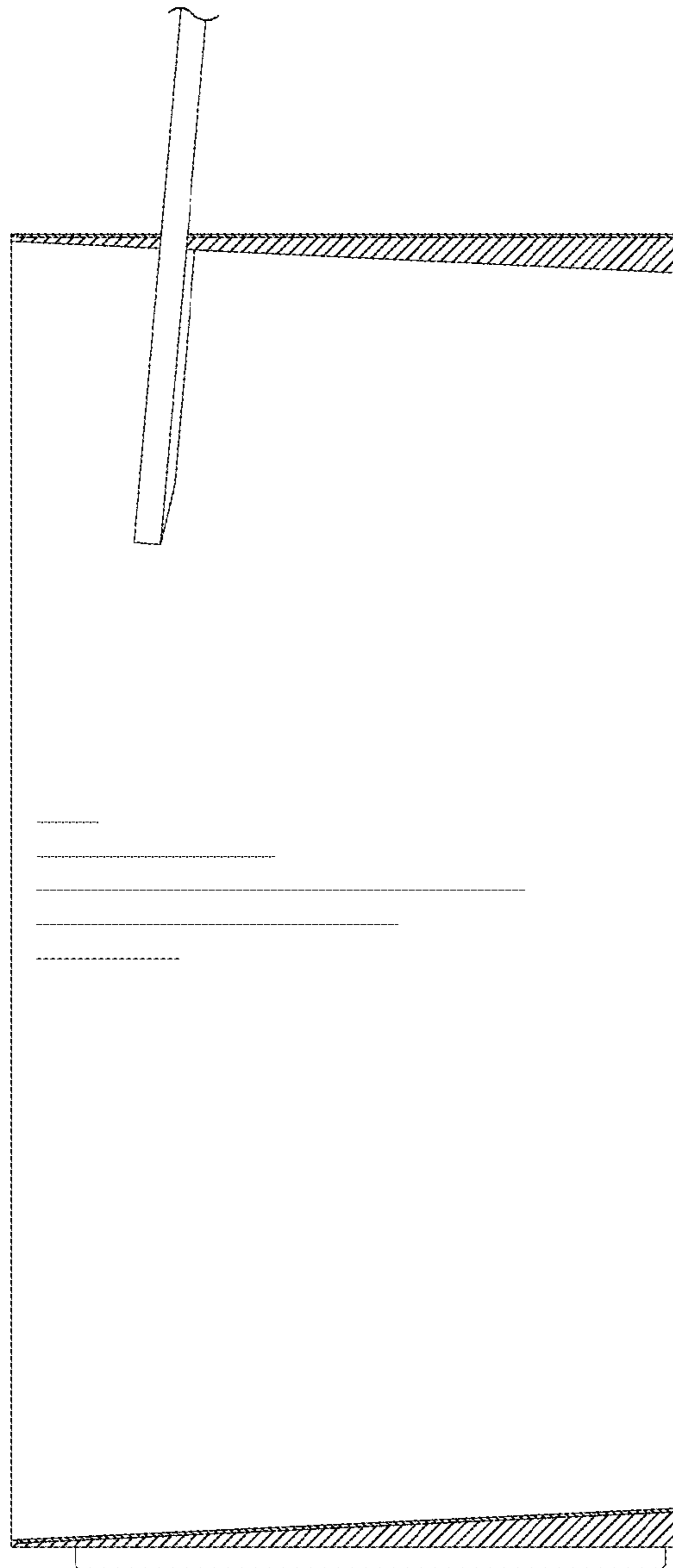


FIG. 9

