



US00D737233S

(12) **United States Design Patent**  
**Son et al.**

(10) **Patent No.:** **US D737,233 S**  
(45) **Date of Patent:** **\*\* Aug. 25, 2015**

- (54) **TELEVISION RECEIVER**
- (71) Applicant: **Samsung Electronics Co., Ltd.**,  
Suwon-si (KR)
- (72) Inventors: **Chae-Joo Son**, Seoul (KR); **Sin-Wi Moon**, Seogwipo-si (KR)
- (73) Assignee: **Samsung Electronics Co., Ltd.**,  
Suwon-si (KR)
- (\*\*) Term: **14 Years**
- (21) Appl. No.: **29/477,041**
- (22) Filed: **Dec. 19, 2013**
- (30) **Foreign Application Priority Data**  
Jun. 19, 2013 (KR) ..... 30-2013-0031716
- (51) **LOC (10) Cl.** ..... **14-03**
- (52) **U.S. Cl.**  
USPC ..... **D14/126**
- (58) **Field of Classification Search**  
USPC ..... D14/125-134, 239, 371, 374-377, 450,  
D14/448, 336, 159; D6/300; D10/15, 26;  
D21/329, 515, 577, 333, 331; 312/7.2;  
345/104, 156, 168, 87, 173, 690;  
446/484, 175; 273/148 B;  
248/917-924, 465; 348/836, 838, 180,  
348/184, 325, 739  
CPC ..... H05K 5/0004; H05K 5/0017; H05K 5/02;  
H05K 5/0217; G06F 1/1601; G06F 1/1643  
See application file for complete search history.

- (56) **References Cited**  
**U.S. PATENT DOCUMENTS**  
D653,636 S \* 2/2012 Lee et al. .... D14/126  
D663,705 S \* 7/2012 Park et al. .... D14/126  
D667,806 S \* 9/2012 Asanuma et al. .... D14/129  
D670,667 S \* 11/2012 Wang et al. .... D14/126  
D682,232 S \* 5/2013 Lee et al. .... D14/126

- D686,583 S \* 7/2013 Yoo et al. .... D14/126
- D686,584 S \* 7/2013 Yoo et al. .... D14/126
- D686,585 S \* 7/2013 Yoon et al. .... D14/126
- D691,977 S \* 10/2013 Lee et al. .... D14/126
- D694,210 S \* 11/2013 Fujii et al. .... D14/126
- D697,884 S \* 1/2014 Lee ..... D14/126
- D700,155 S \* 2/2014 McManigal ..... D14/126
- D700,156 S \* 2/2014 Lv et al. .... D14/126
- D702,657 S \* 4/2014 Chen et al. .... D14/126
- D703,167 S \* 4/2014 McManigal ..... D14/126
- D705,185 S \* 5/2014 Jeon et al. .... D14/126
- D715,755 S \* 10/2014 Jang et al. .... D14/126

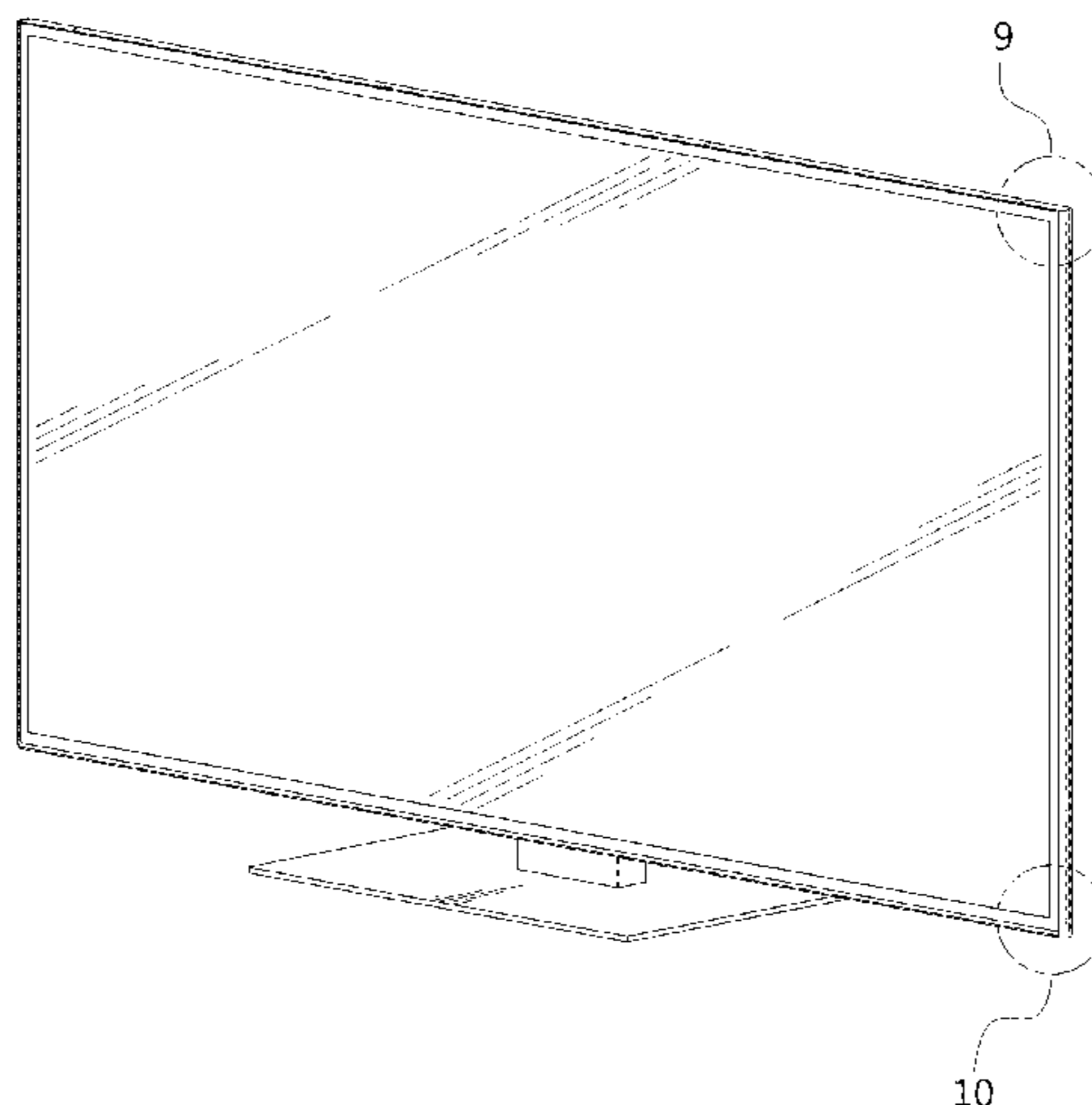
(Continued)

*Primary Examiner* — Eric Goodman  
*Assistant Examiner* — Clese Moore, Jr.  
(74) *Attorney, Agent, or Firm* — NSIP Law

(57) **CLAIM**  
The ornamental design for a television receiver, as shown and described.

**DESCRIPTION**  
FIG. 1 is a front perspective view of a television receiver showing our new design;  
FIG. 2 is a front view thereof;  
FIG. 3 is a rear view thereof;  
FIG. 4 is a left-side view thereof;  
FIG. 5 is a right-side view thereof;  
FIG. 6 is a top view thereof;  
FIG. 7 is a bottom view thereof;  
FIG. 8 is a rear perspective view thereof;  
FIG. 9 is an enlarged view of encircled portion 9 as illustrated in FIG. 1;  
FIG. 10 is an enlarged view of encircled portion 10 as illustrated in FIG. 1; and  
FIG. 11 is an enlarged view of encircled portion 11 as illustrated in FIG. 8.  
The broken line illustrates portions of the television receiver and forms no part of the claimed design. All other broken line illustrates environment and forms no part of the claimed design.

**1 Claim, 11 Drawing Sheets**



# US D737,233 S

Page 2

---

(56)

## References Cited

### U.S. PATENT DOCUMENTS

D723,484 S *	3/2015	Hwangbo et al. ....	D14/126
2014/0002755 A1 *	1/2014	Mitsuyoshi et al. ....	348/836
2014/0307006 A1 *	10/2014	Kita .....	345/690
D719,538 S *	12/2014	Lee et al. ....	D14/126

\* cited by examiner

FIG. 1

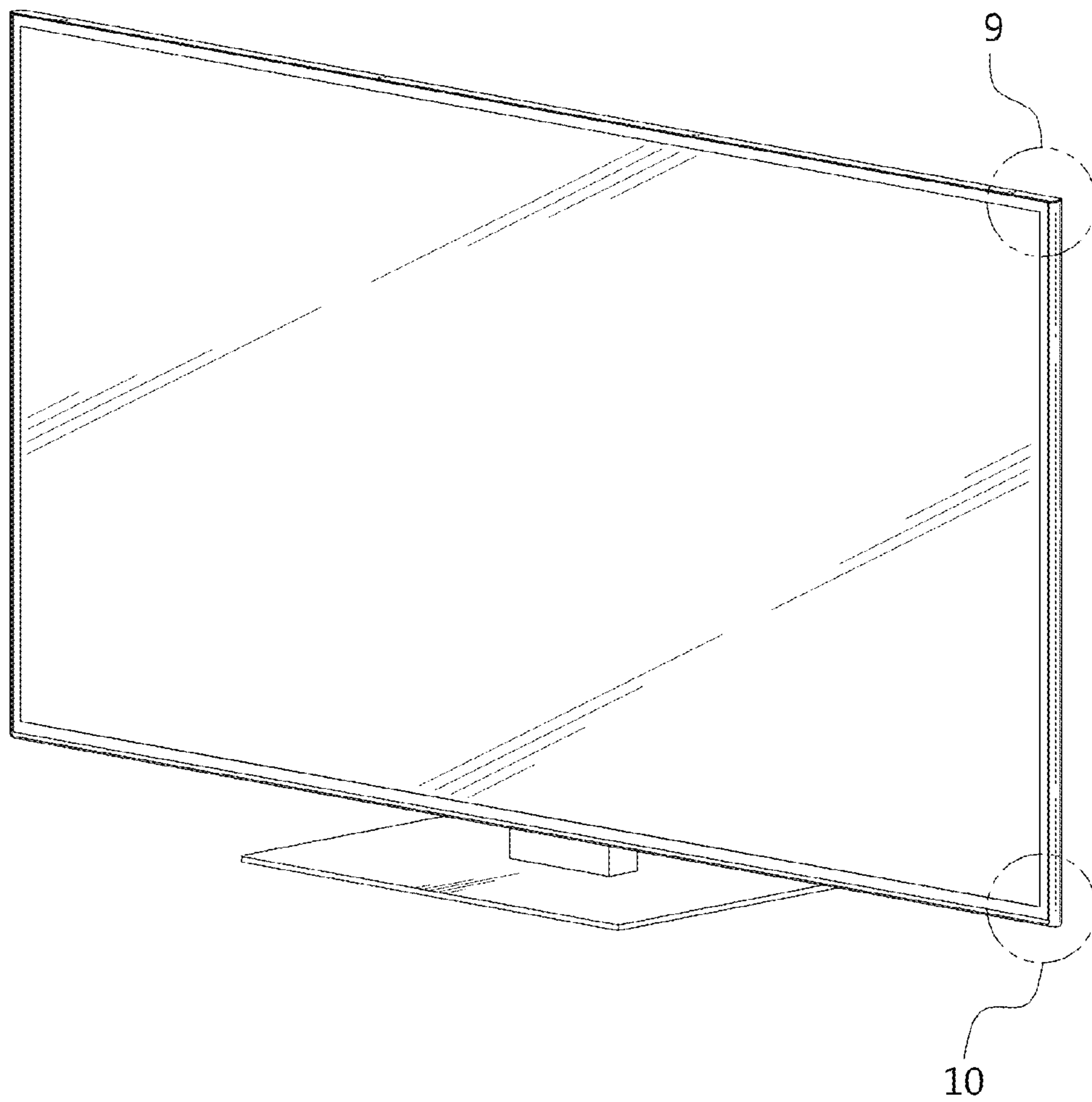


FIG. 2

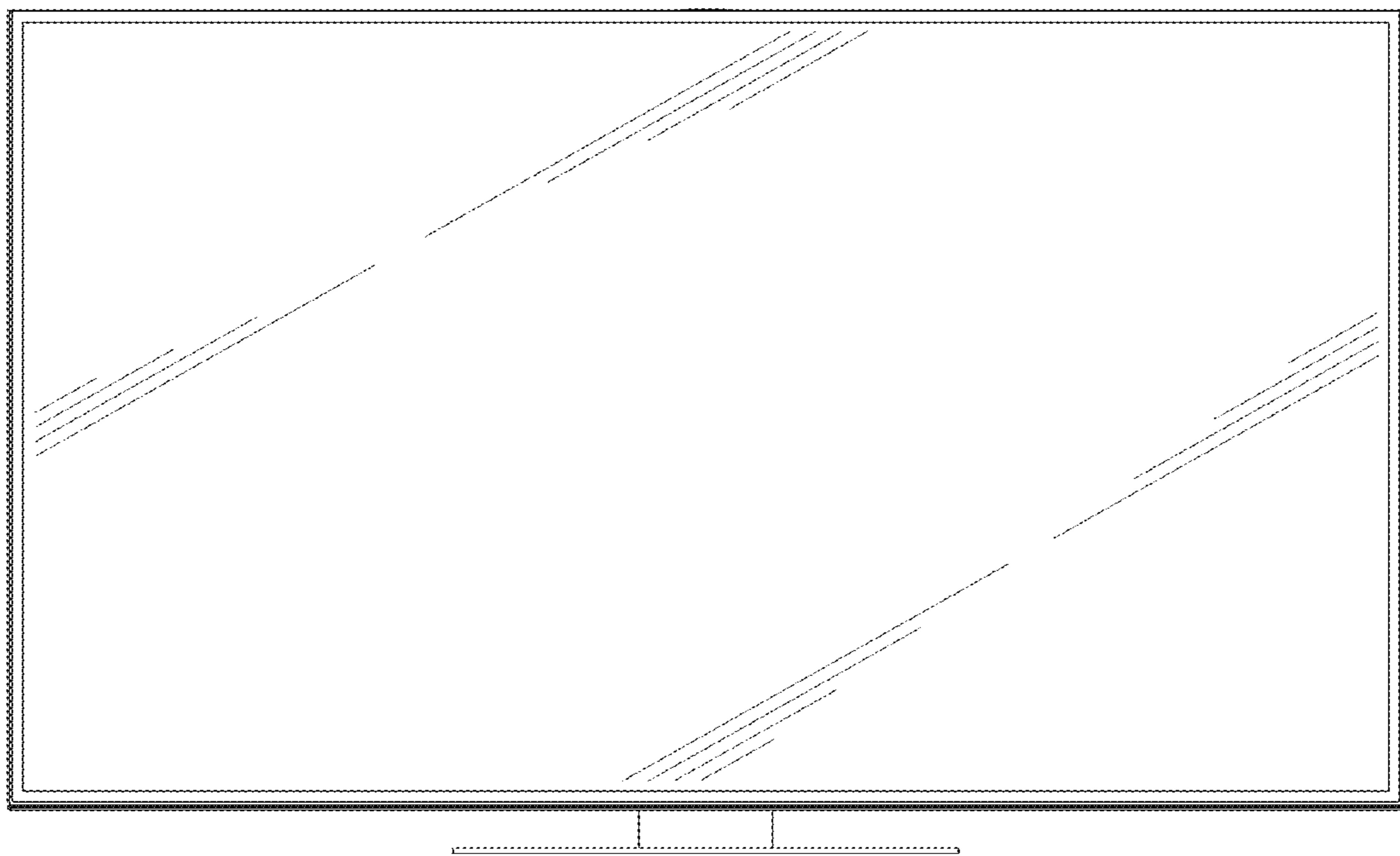


FIG. 3

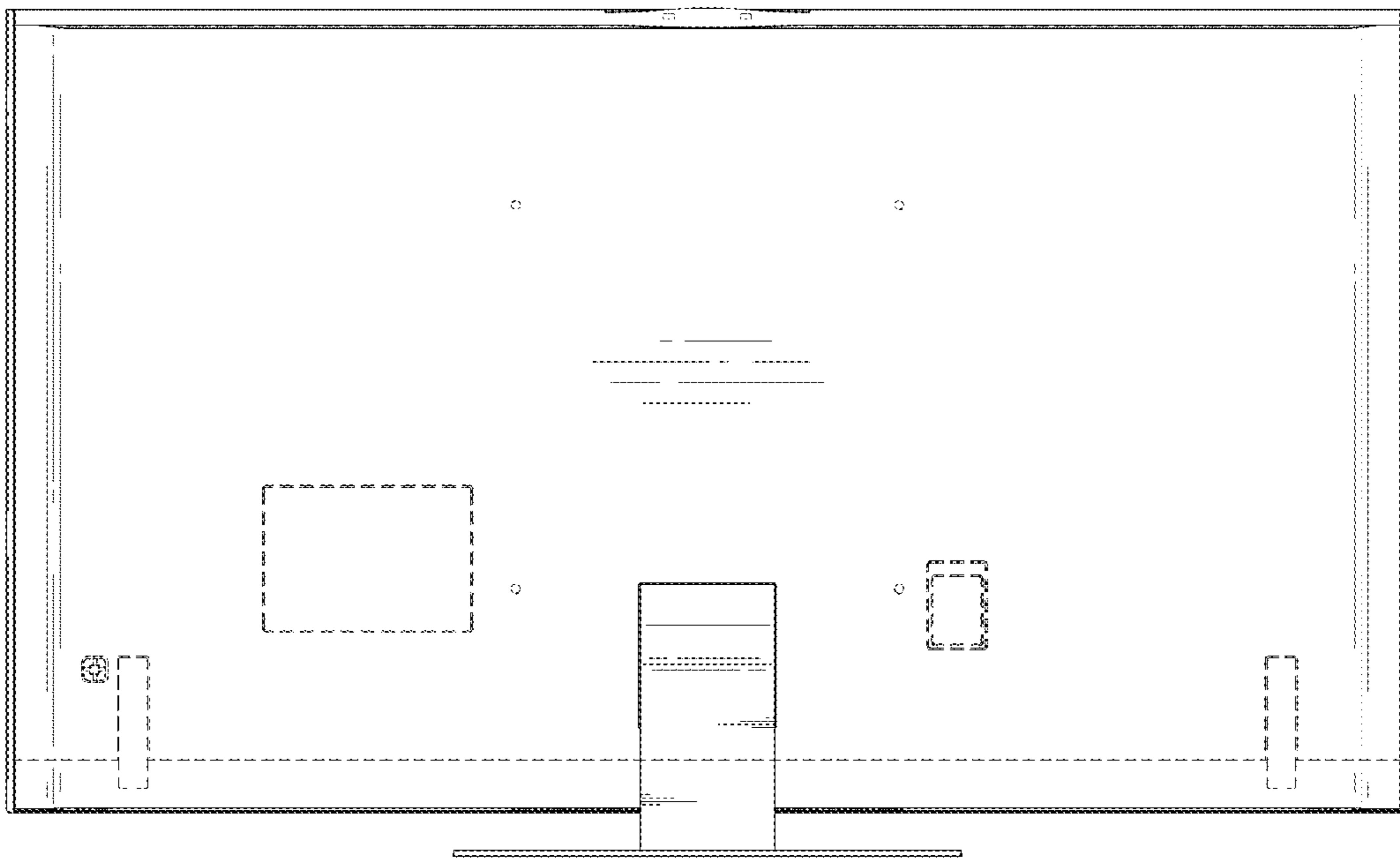


FIG. 4

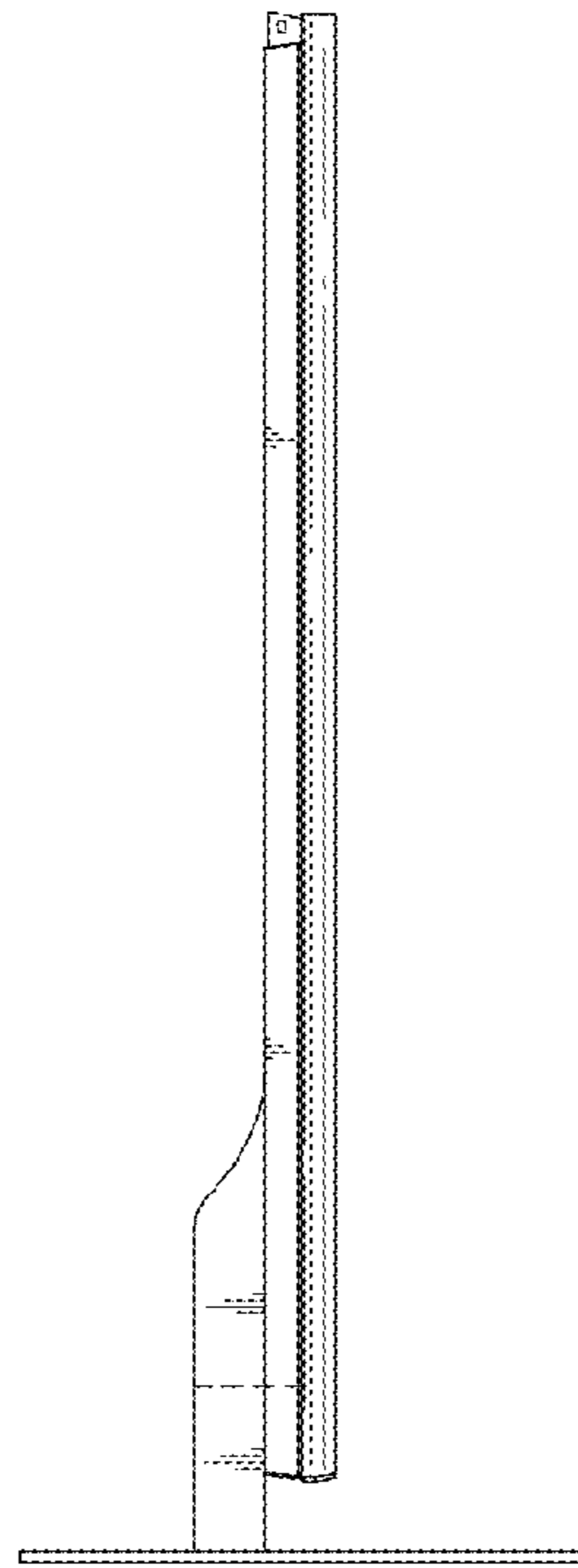


FIG. 5

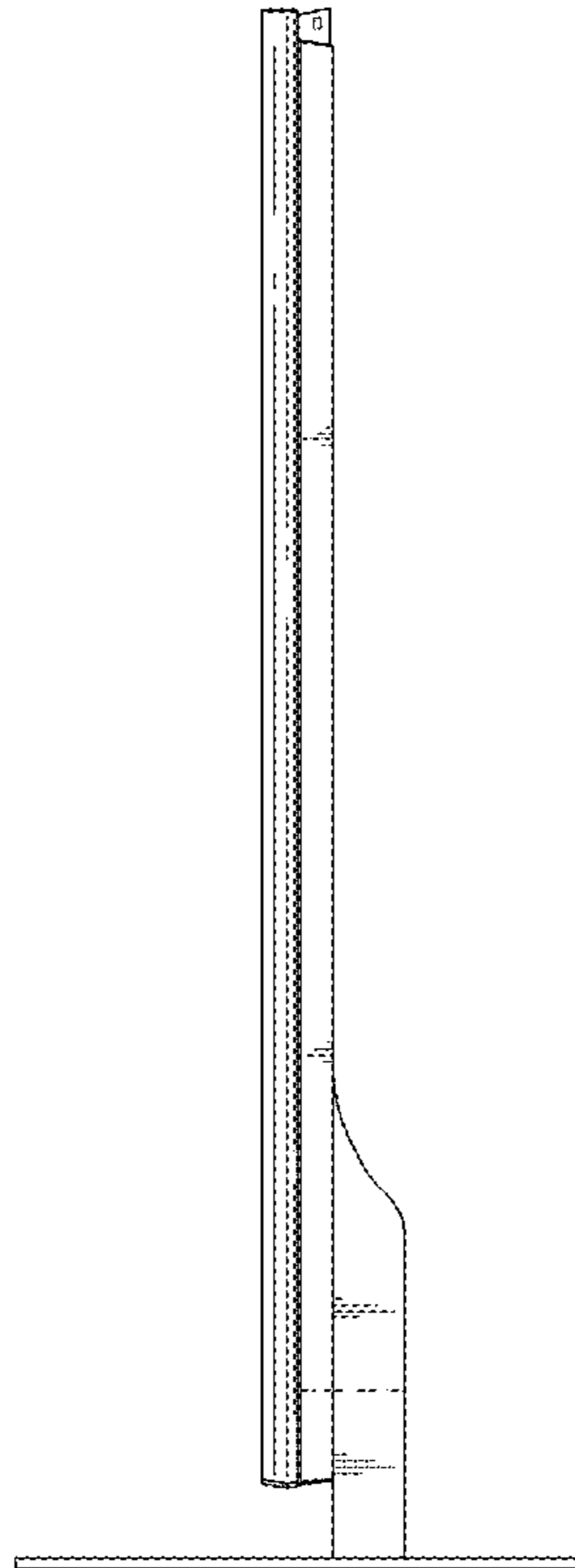


FIG. 6

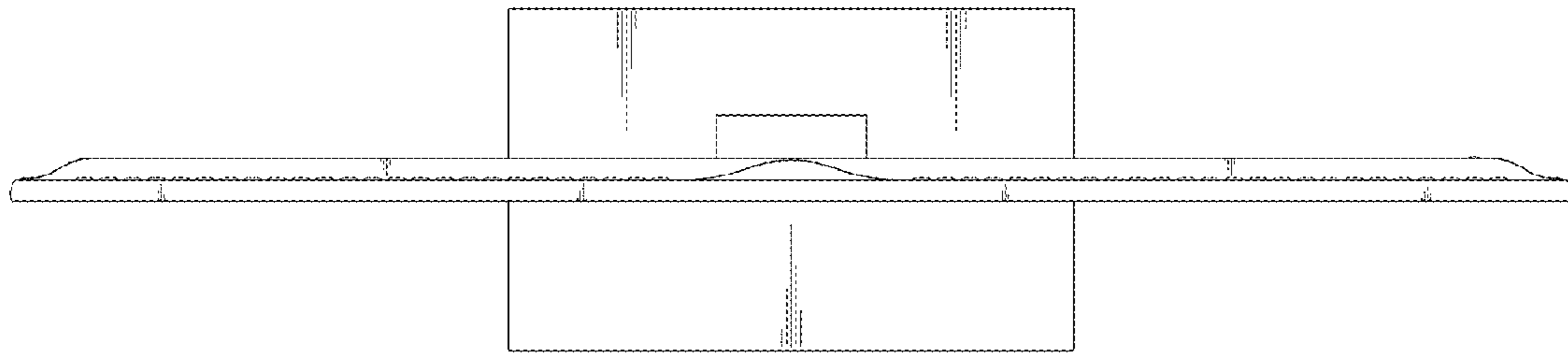




FIG. 7

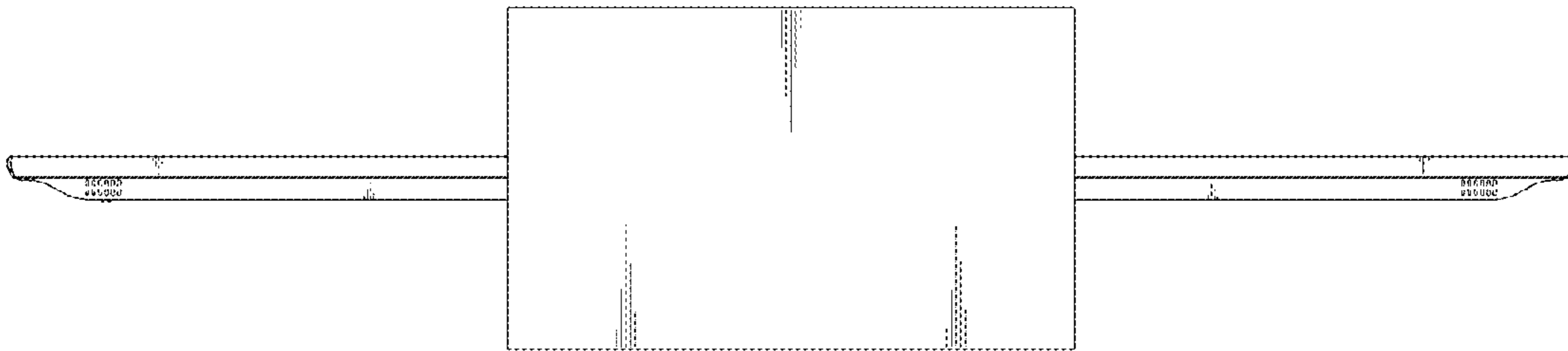


FIG. 8

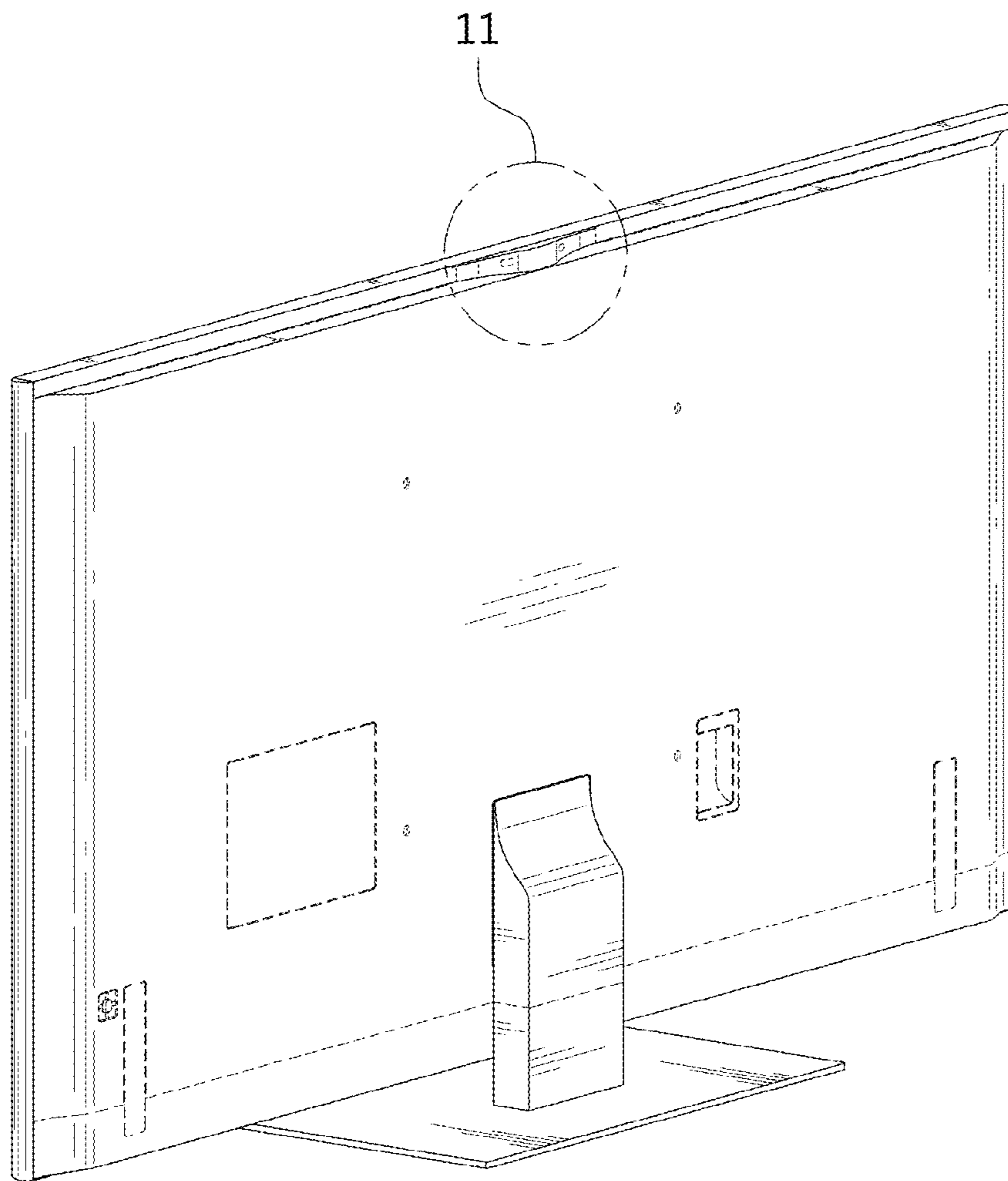


FIG. 9

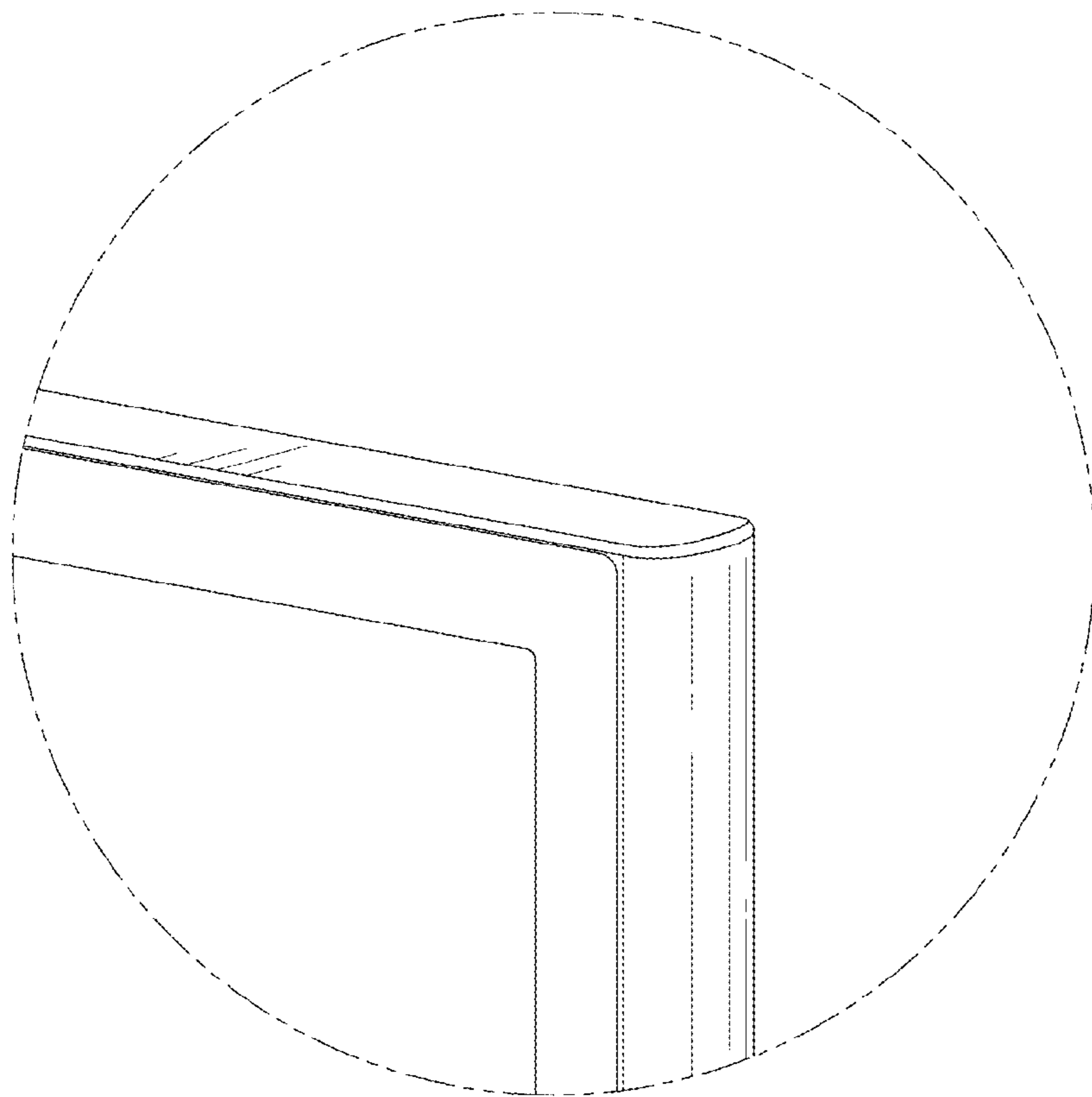


FIG. 10

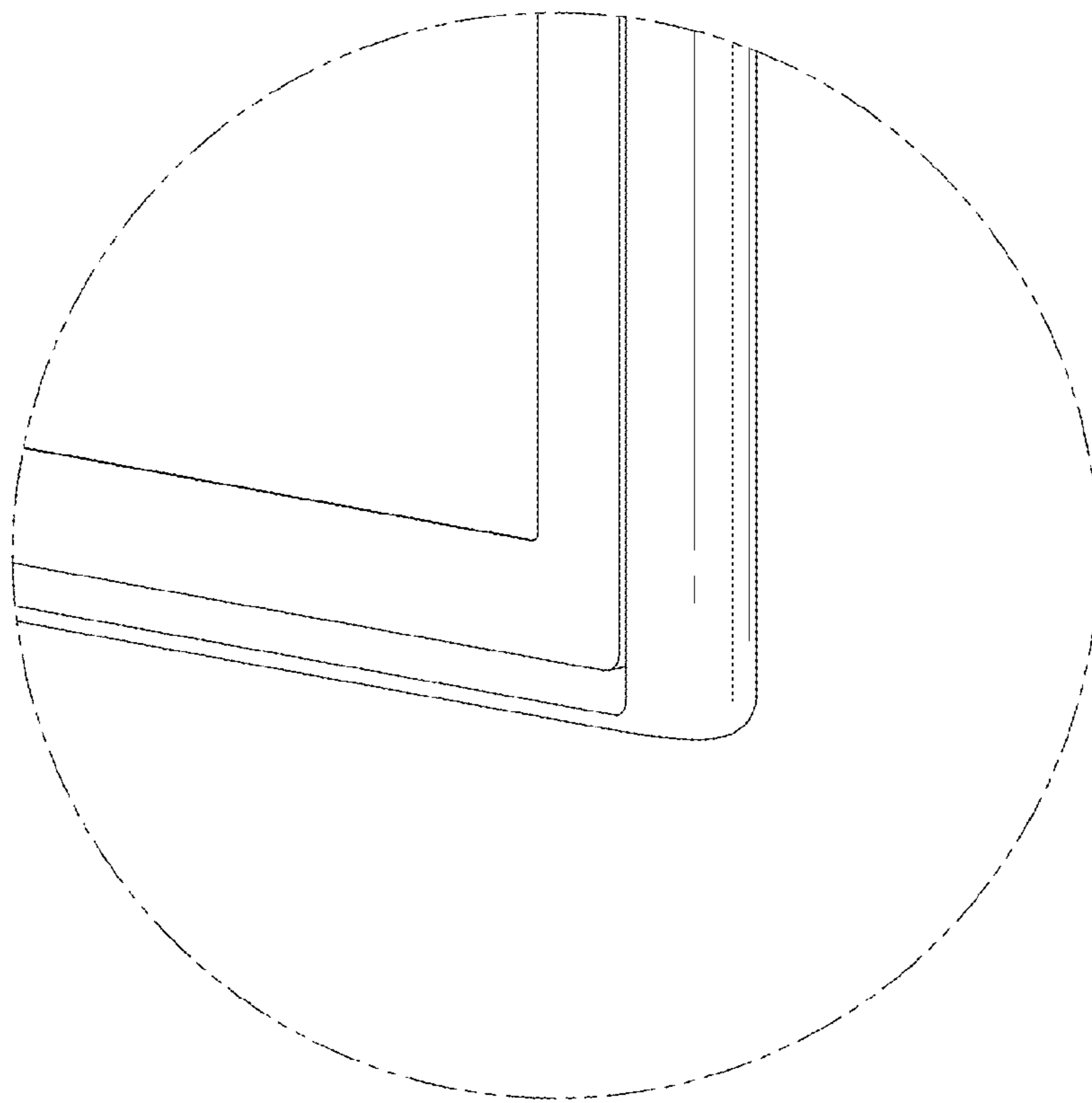


FIG. 11

