



US00D737228S

(12) **United States Design Patent**  
**Chen et al.**

(10) **Patent No.:** **US D737,228 S**  
(45) **Date of Patent:** **\*\* \*Aug. 25, 2015**

(54) **LIGHT EMITTING DIODE**

(56) **References Cited**

(71) Applicant: **EPISTAR CORPORATION**, Hsinchu (TW)

U.S. PATENT DOCUMENTS

(72) Inventors: **Shih-I Chen**, Hsinchu (TW);  
**Chia-Liang Hsu**, Hsinchu (TW);  
**Chun-Yi Wu**, Taipei (TW)

6,614,056	B1	9/2003	Tarsa et al.
6,921,924	B2	7/2005	Tsai et al.
7,436,066	B2	10/2008	Sonobe et al.
D580,888	S	11/2008	Liu
D593,968	S	6/2009	Edmond et al.
D599,748	S	9/2009	Liu
D606,949	S	12/2009	Liu
D620,897	S	8/2010	Shan et al.
D633,876	S	3/2011	Shan et al.
D635,525	S	4/2011	Edmond et al.
D647,493	S	10/2011	Chang et al.
D647,494	S	10/2011	Chang et al.
D647,495	S	10/2011	Chang et al.
D653,630	S	2/2012	Liu
8,129,739	B2	3/2012	Higashi et al.

(73) Assignee: **Epistar Corporation**, Hsinchu (TW)

(\*) Notice: This patent is subject to a terminal disclaimer.

(\*\*) Term: **14 Years**

(21) Appl. No.: **29/481,579**

(22) Filed: **Feb. 7, 2014**

(Continued)

*Primary Examiner* — Selina Sikder

(74) *Attorney, Agent, or Firm* — Patterson Thuent Pedersen, P.A.

**Related U.S. Application Data**

(62) Division of application No. 29/453,274, filed on Apr. 26, 2013, now Pat. No. Des. 700,152, and a division of application No. 29/432,255, filed on Sep. 14, 2012, now Pat. No. Des. 680,977, and a division of application No. 29/389,215, filed on Apr. 7, 2011, now Pat. No. Des. 676,001.

(51) **LOC (10) Cl.** ..... **13-03**

(52) **U.S. Cl.**  
USPC ..... **D13/180**

(58) **Field of Classification Search**  
USPC ..... D13/180; D26/1; 257/79, 80, 81, 88, 257/89, 95, 98, 99, 100, E33.058; 313/483, 313/498, 500; 362/555, 800  
CPC ... H01L 25/167; H01L 25/0753; H01L 27/15; H01L 27/156; H01L 31/02; H01L 33/00; H01L 33/04; H01L 33/08; H01L 33/10; H01L 33/20; H01L 33/38; H01L 33/42; H01L 33/48; H01L 33/483; H01L 33/486

See application file for complete search history.

(57) **CLAIM**

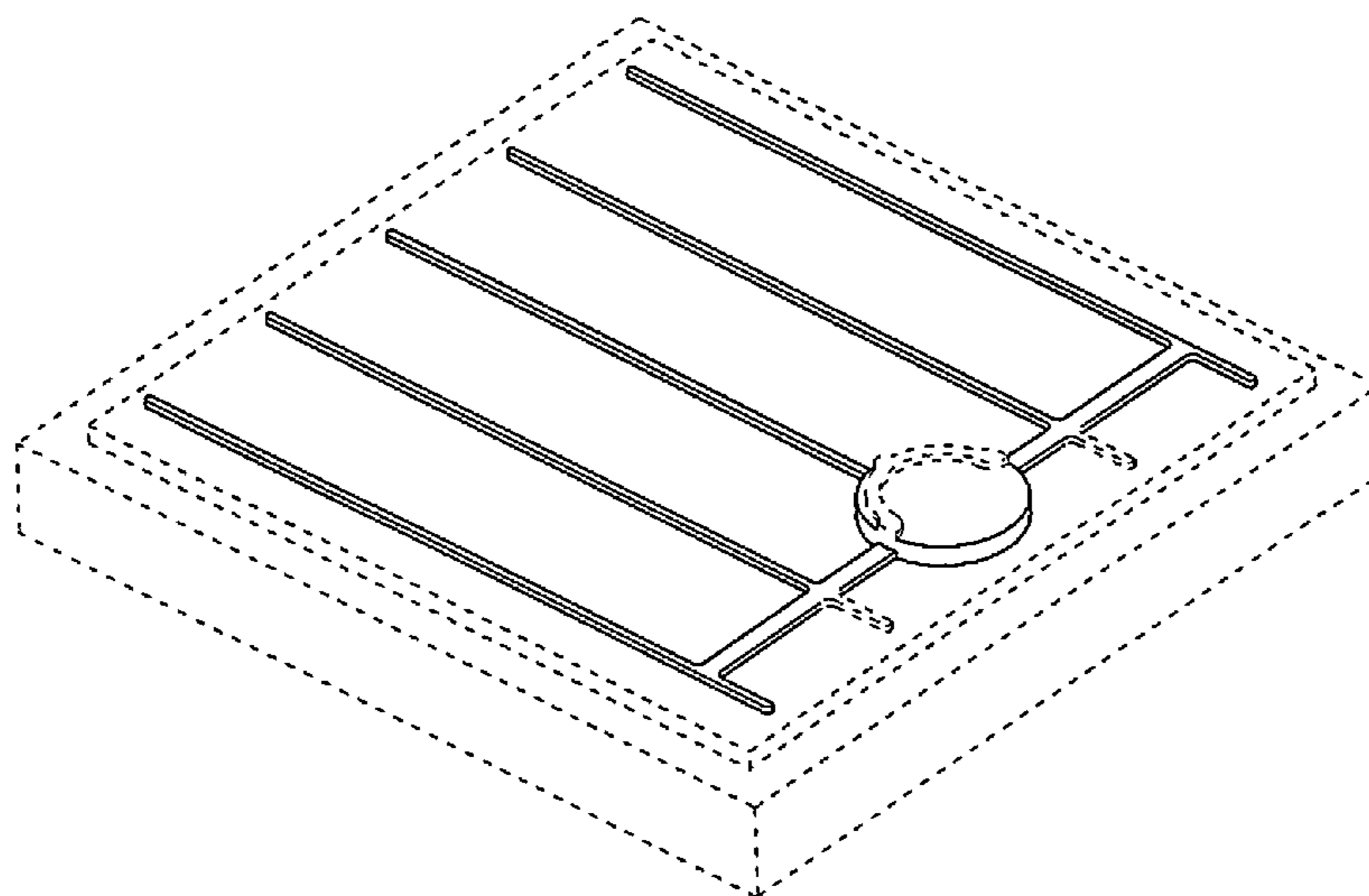
The ornamental design for a light emitting diode, as shown and described.

**DESCRIPTION**

FIG. 1 is a perspective view of a light emitting diode showing the claimed design;  
FIG. 2 is a front elevational view of FIG. 1;  
FIG. 3 is a rear elevational view of FIG. 1;  
FIG. 4 is a left side elevational view of FIG. 1;  
FIG. 5 is a right side elevational view of FIG. 1; and,  
FIG. 6 is a bottom plan view of FIG. 1, which is a mirror image of the top plan view.

The broken lines are directed to environment and are for illustrative purpose only; the broken lines form no part of the claimed design.

**1 Claim, 4 Drawing Sheets**



(56)

**References Cited**

U.S. PATENT DOCUMENTS

8,168,995 B2 5/2012 Ko et al.  
8,168,996 B2 5/2012 Inoue et al.  
D676,001 S 2/2013 Hsu et al.  
D680,977 S 4/2013 Hsu et al.  
D684,548 S 6/2013 Chu  
D684,549 S 6/2013 Chu et al.  
D684,940 S 6/2013 Chu et al.  
D684,941 S 6/2013 Chu et al.  
D685,334 S 7/2013 Chu et al.  
D687,395 S 8/2013 Chu

D689,834 S 9/2013 Chu et al.  
D690,670 S 10/2013 Chu et al.  
D694,723 S \* 12/2013 Wu et al. .... D13/180  
D700,152 S 2/2014 Hsu et al.  
D707,641 S \* 6/2014 Lu et al. .... D13/180  
2003/0107053 A1 6/2003 Uemura et al.  
2003/0230754 A1 12/2003 Steigerwald et al.  
2006/0237735 A1 10/2006 Naulin et al.  
2007/0085095 A1 4/2007 Ko et al.  
2009/0283787 A1 11/2009 Donofrio et al.  
2011/0278631 A1\* 11/2011 Shen et al. .... 257/99  
2012/0241808 A1\* 9/2012 Akiyama et al. .... 257/99  
2013/0175551 A1 7/2013 Lim et al.

\* cited by examiner

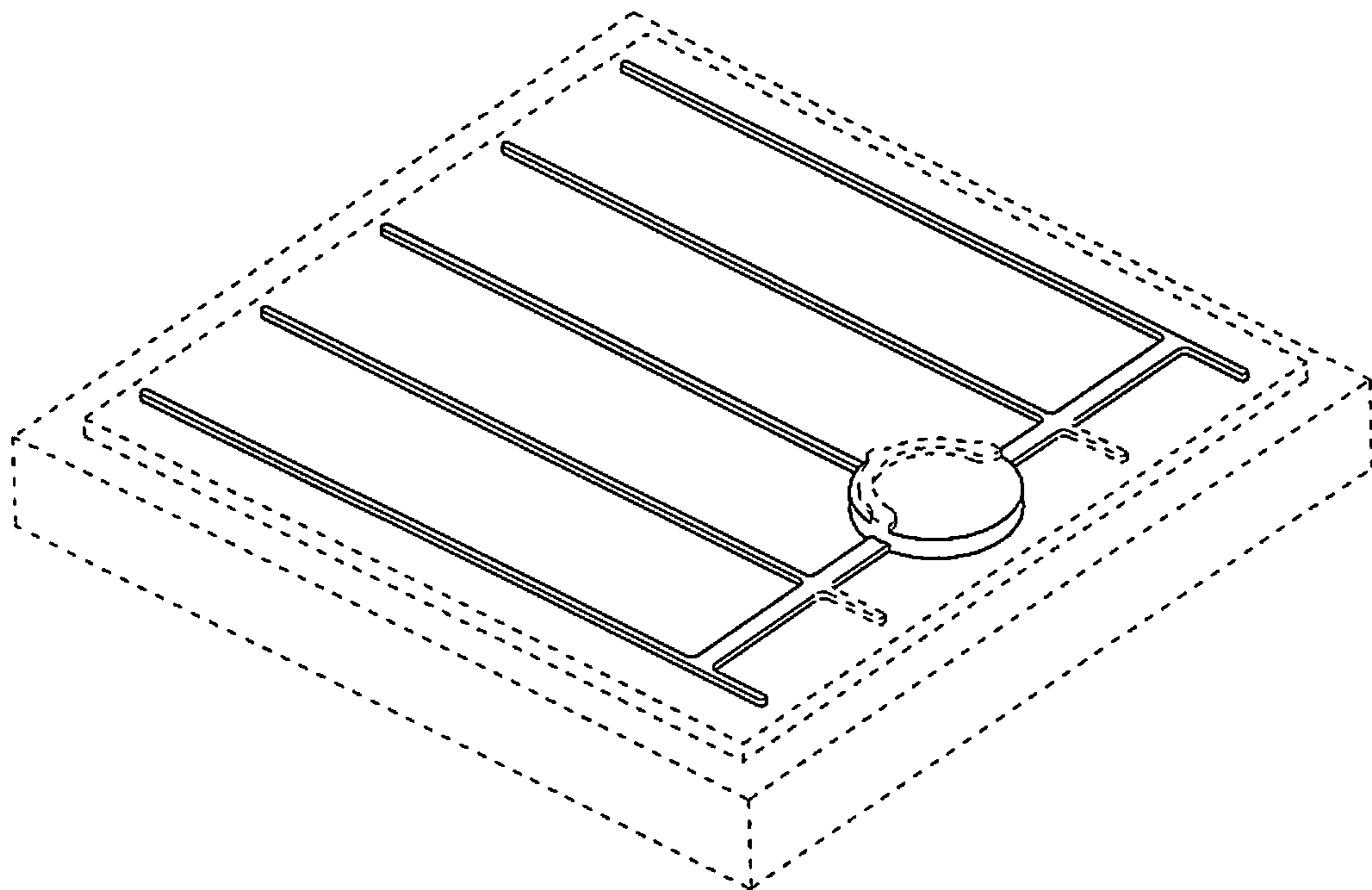


FIG.1

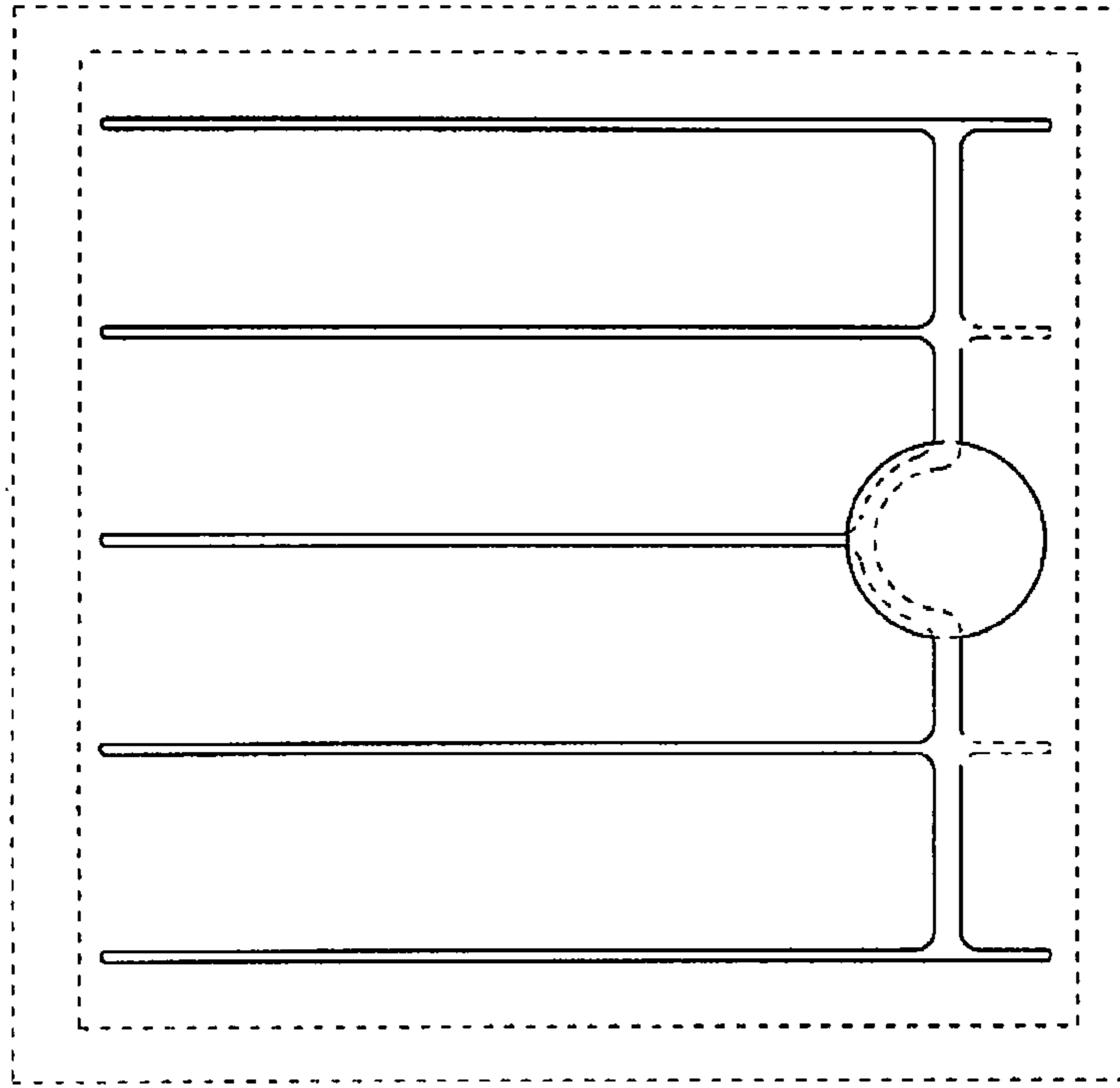


FIG. 2

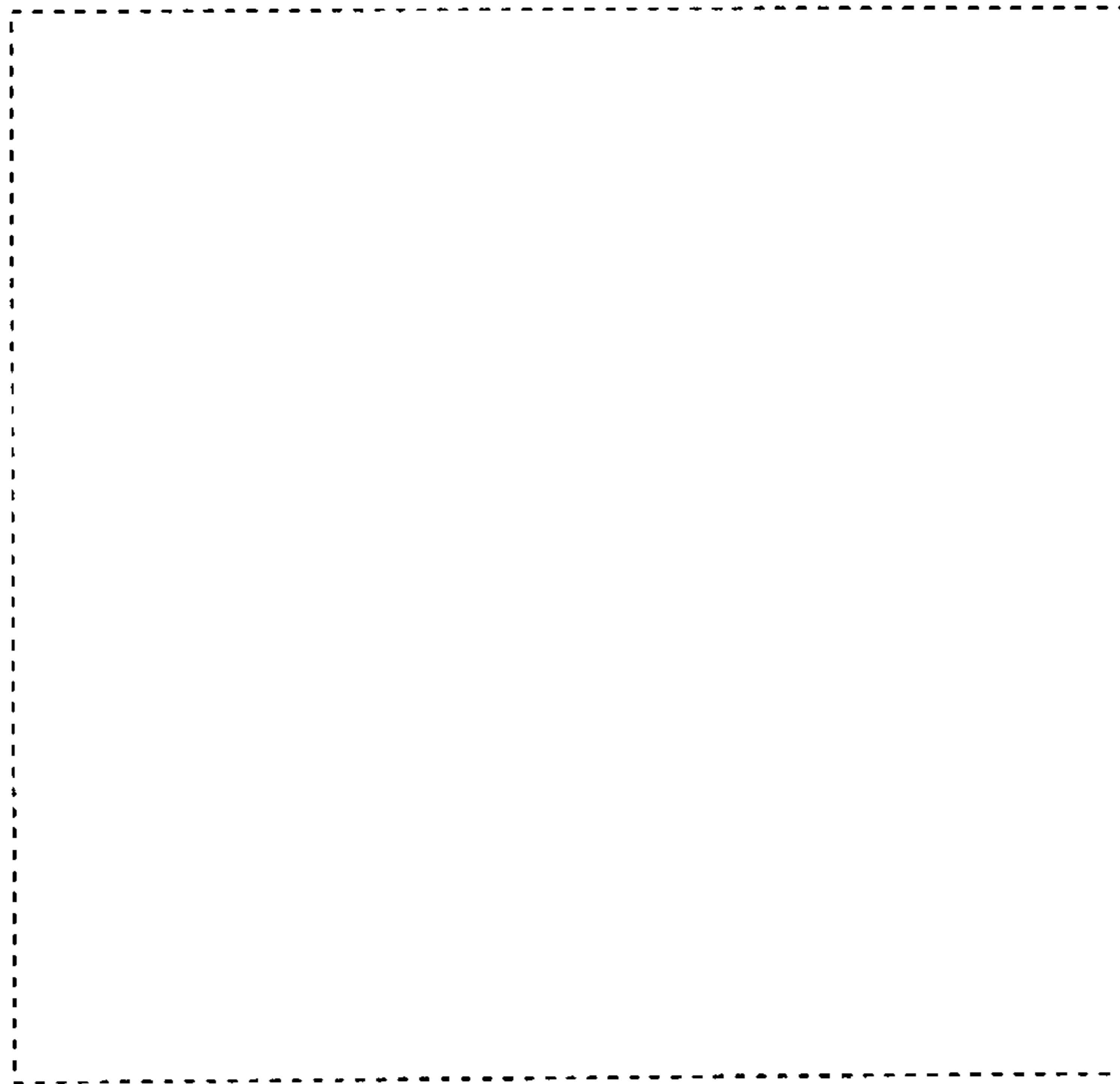


FIG. 3

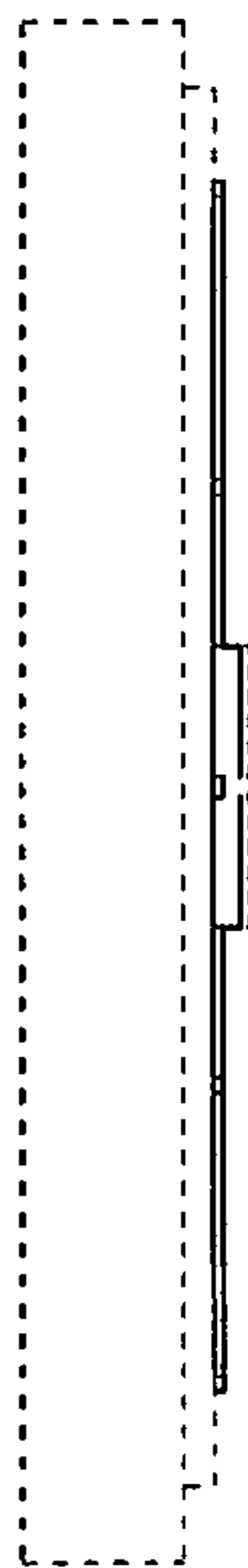


FIG. 4

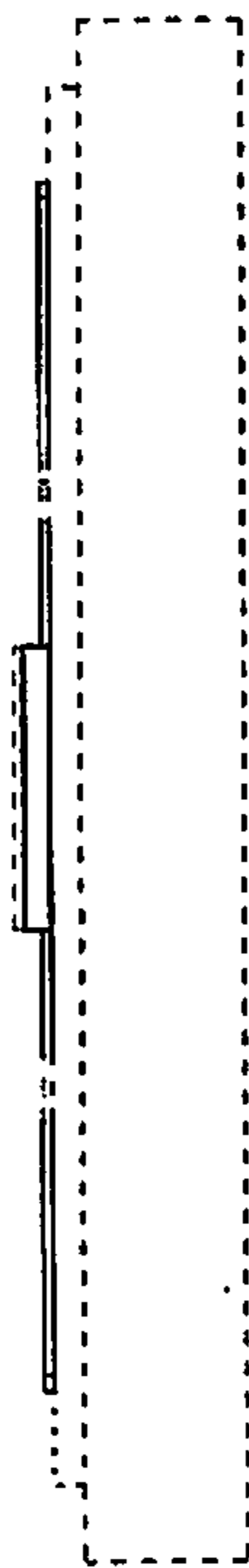


FIG. 5

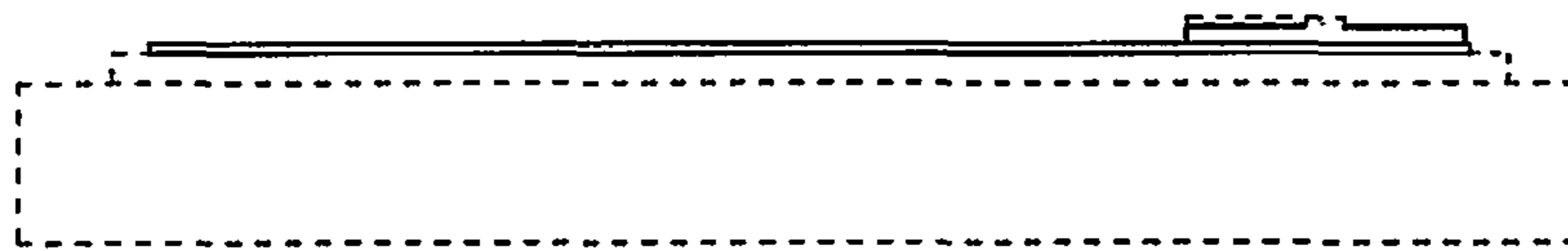


FIG.6