



US00D737227S

(12) **United States Design Patent**
Hamlin

(10) **Patent No.:** **US D737,227 S**

(45) **Date of Patent:** **** Aug. 25, 2015**

(54) **BUTTON ASSEMBLY**

(71) Applicant: **Gentex Corporation**, Zeeland, MI (US)

(72) Inventor: **Bradley R. Hamlin**, Allendale, MI (US)

(73) Assignee: **GENTEX CORPORATION**, Zeeland, MI (US)

(**) Term: **14 Years**

(21) Appl. No.: **29/486,116**

(22) Filed: **Mar. 26, 2014**

(51) **LOC (10) Cl.** **13-03**

(52) **U.S. Cl.**

USPC **D13/174**

(58) **Field of Classification Search**

USPC D13/171, 173, 174; D10/108, 118

CPC H01H 3/02; H01H 3/12; H01H 3/122;

H01H 9/02; H01H 9/16; H01H 9/161; H01H

9/18; H01H 9/181; H01H 9/182; H01H

13/023; H01H 13/04; H01H 13/14; H01H

13/20; H01H 13/30; H01H 13/68; H01H

13/70; H01H 13/702; H01H 13/83; H01H

13/86; H01H 25/065; H01H 2221/00; B62K

11/14; B62K 23/02

See application file for complete search history.

(56) **References Cited**

U.S. PATENT DOCUMENTS

2,363,854 A * 11/1944 Bierenfeld 200/5 R

4,343,973 A * 8/1982 Main 200/516

4,924,046 A * 5/1990 Howard 200/516

D319,628 S * 9/1991 Whitley, II D13/171

D324,511 S * 3/1992 Ginther et al. D13/170

D500,744 S * 1/2005 Michaud D13/174

D550,632 S * 9/2007 Samuels et al. D13/162

D559,800 S * 1/2008 Neveu D13/174

7,332,681 B2 * 2/2008 Wohlfart 200/5 A

2001/0025772 A1 * 10/2001 Ogawa et al. 200/5 A

2003/0116415 A1 * 6/2003 Ardrey et al. 200/56 R

2005/0189205 A1 * 9/2005 Fujii et al. 200/314

2008/0041708 A1 * 2/2008 James 200/5 R

2009/0195406 A1 * 8/2009 Brown et al. 340/825.22

2011/0108403 A1 * 5/2011 Kukita 200/341

2011/0284349 A1 * 11/2011 Chang 200/312

2012/0160643 A1 * 6/2012 Fujibayashi 200/310

* cited by examiner

Primary Examiner — Selina Sikder

(74) *Attorney, Agent, or Firm* — Price Heneveld LLP; Scott P. Ryan

(57) **CLAIM**

I claim the ornamental design for a button assembly, as shown and described.

DESCRIPTION

FIG. 1 is a top perspective view of the button assembly of the present disclosure;

FIG. 2 is a front elevational view of the button assembly of FIG. 1;

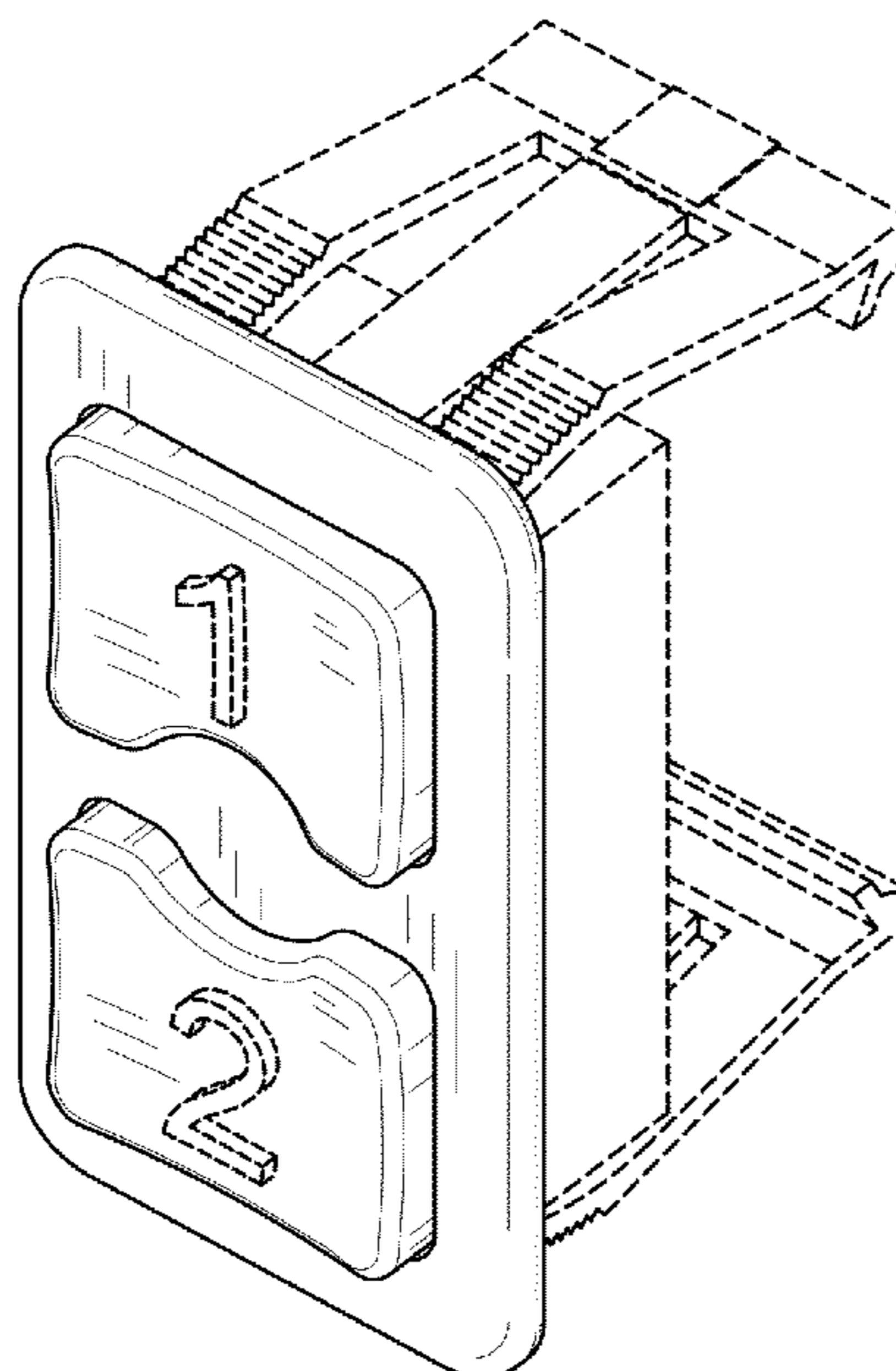
FIG. 3 is a rear elevational view of the button assembly of FIG. 1;

FIG. 4 is a side elevational view of the button assembly of FIG. 1;

FIG. 5 is a top plan view of the button assembly of FIG. 1; and, FIG. 6 is a bottom plan view of the button assembly of FIG. 1.

The broken line showing of the button assembly is for the purpose of illustrating environmental structure and forms no part of the claimed design.

1 Claim, 2 Drawing Sheets



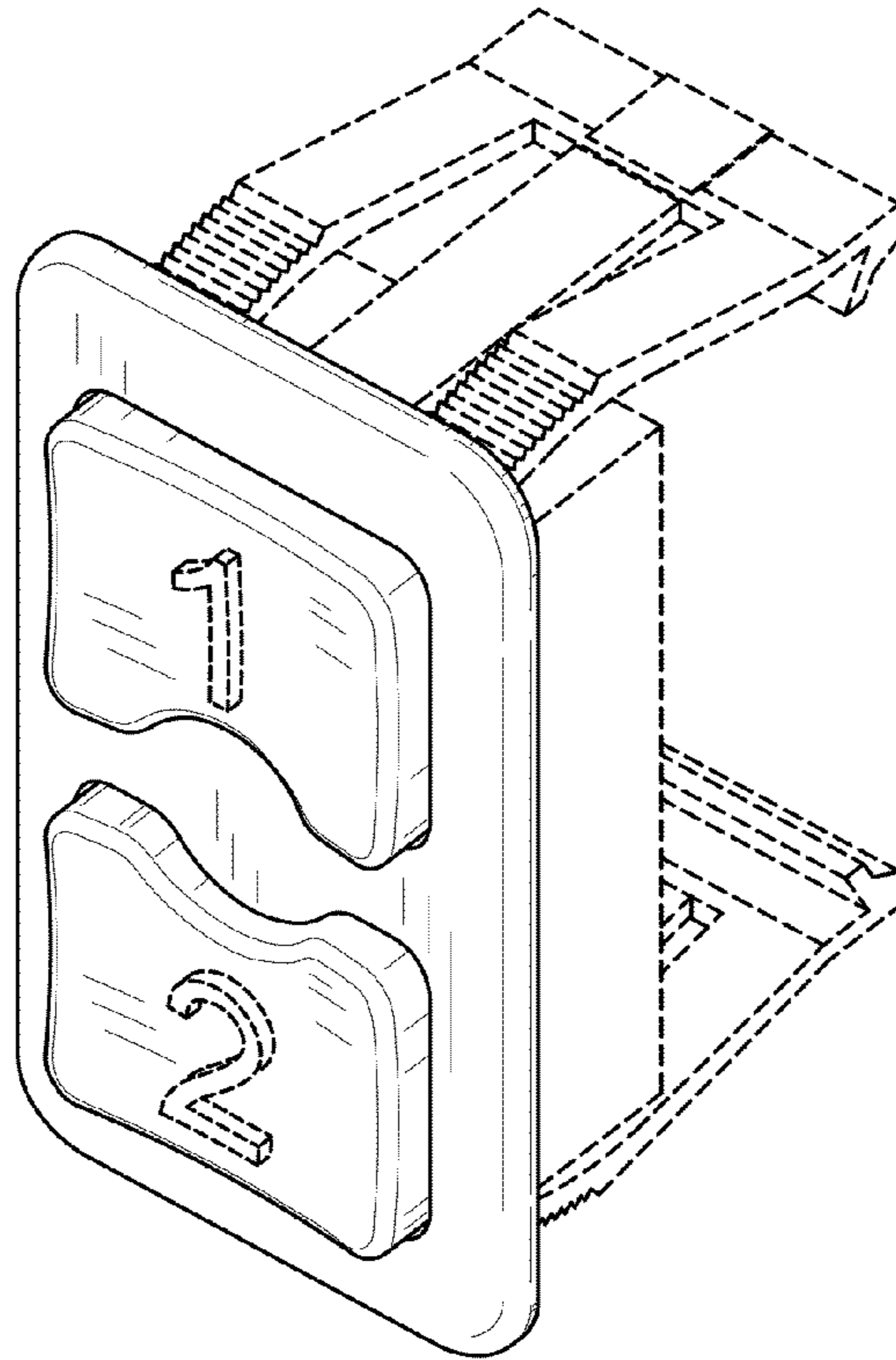


FIG. 1

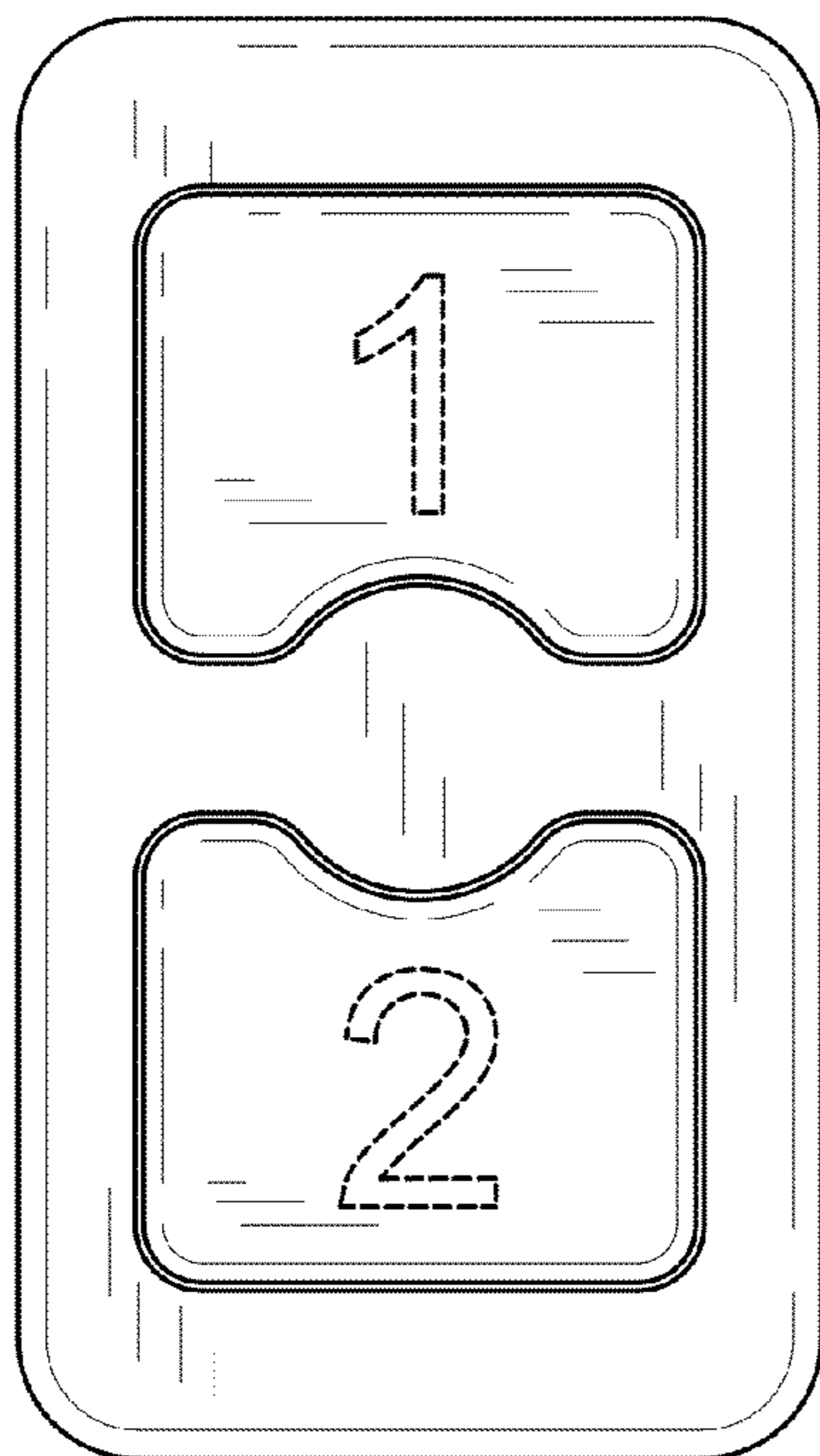


FIG. 2

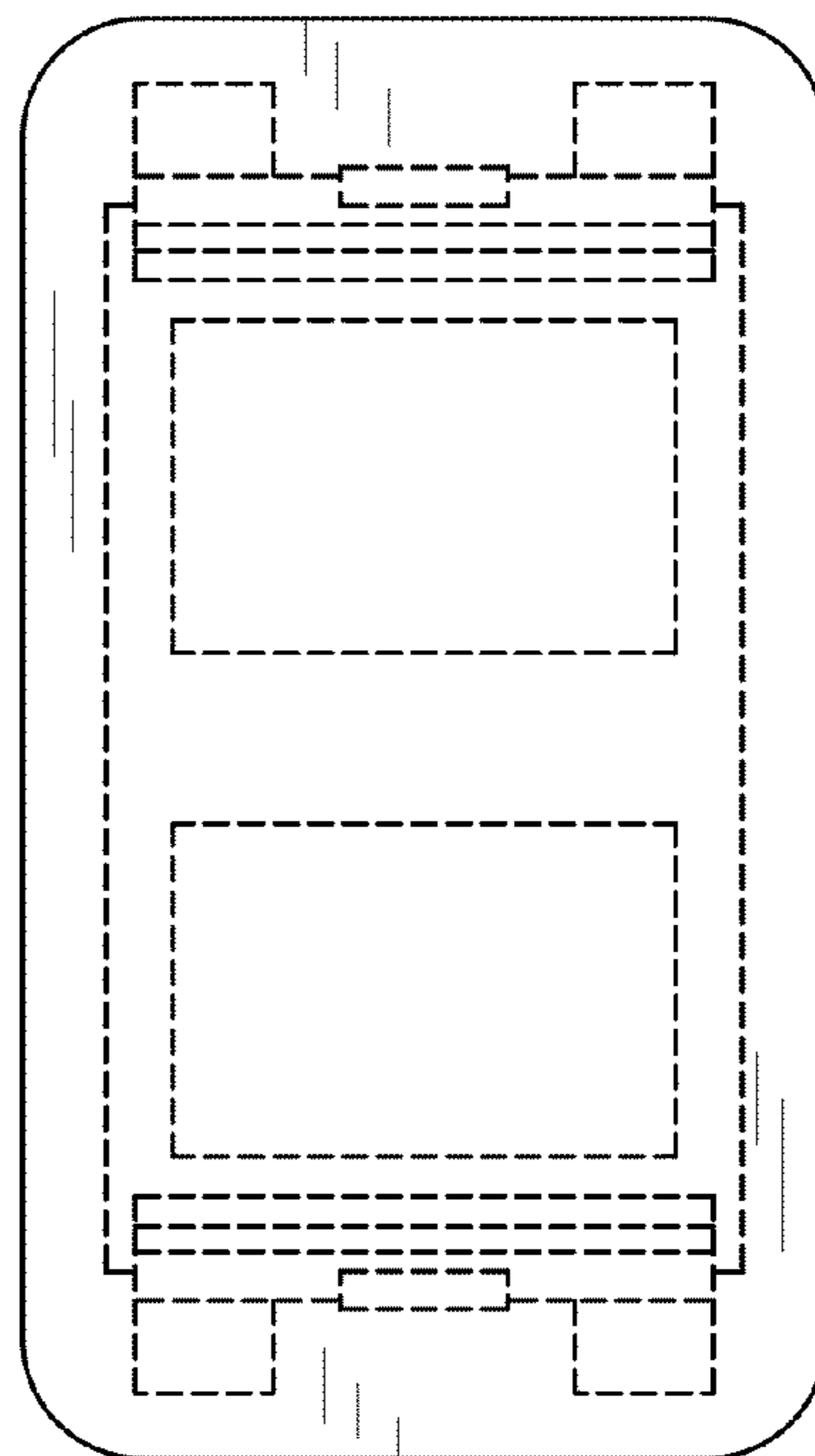


FIG. 3

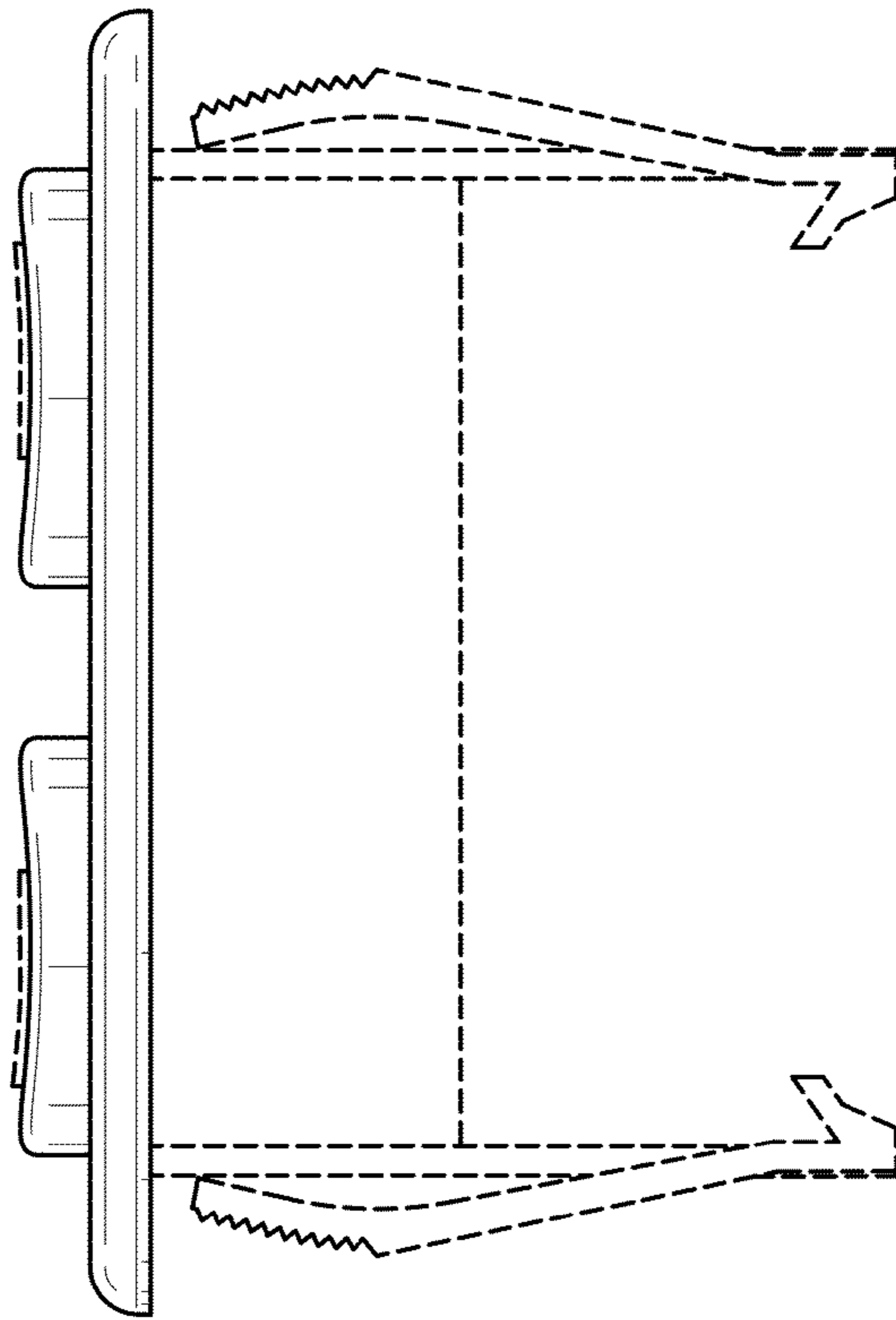


FIG. 4

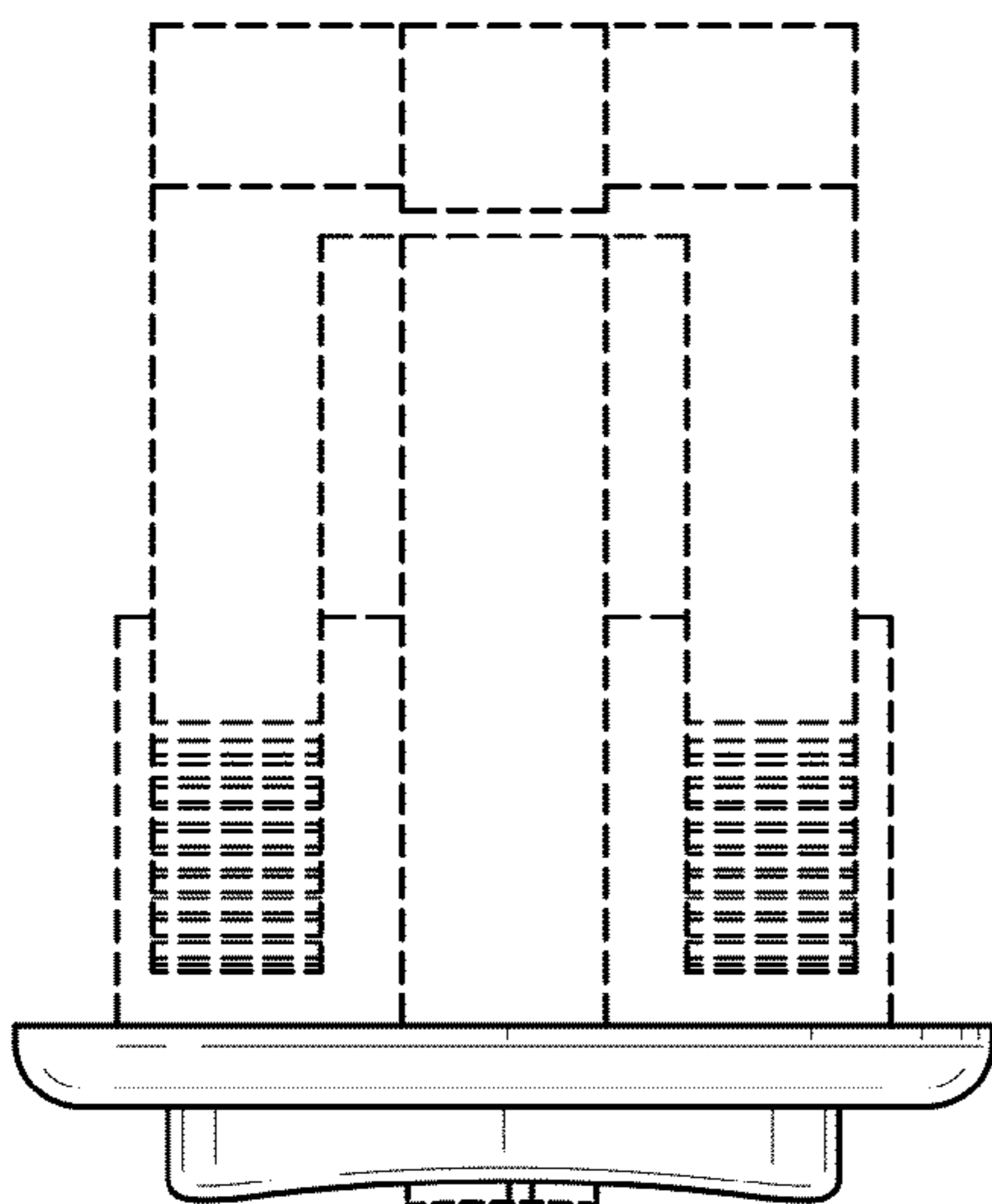


FIG. 5

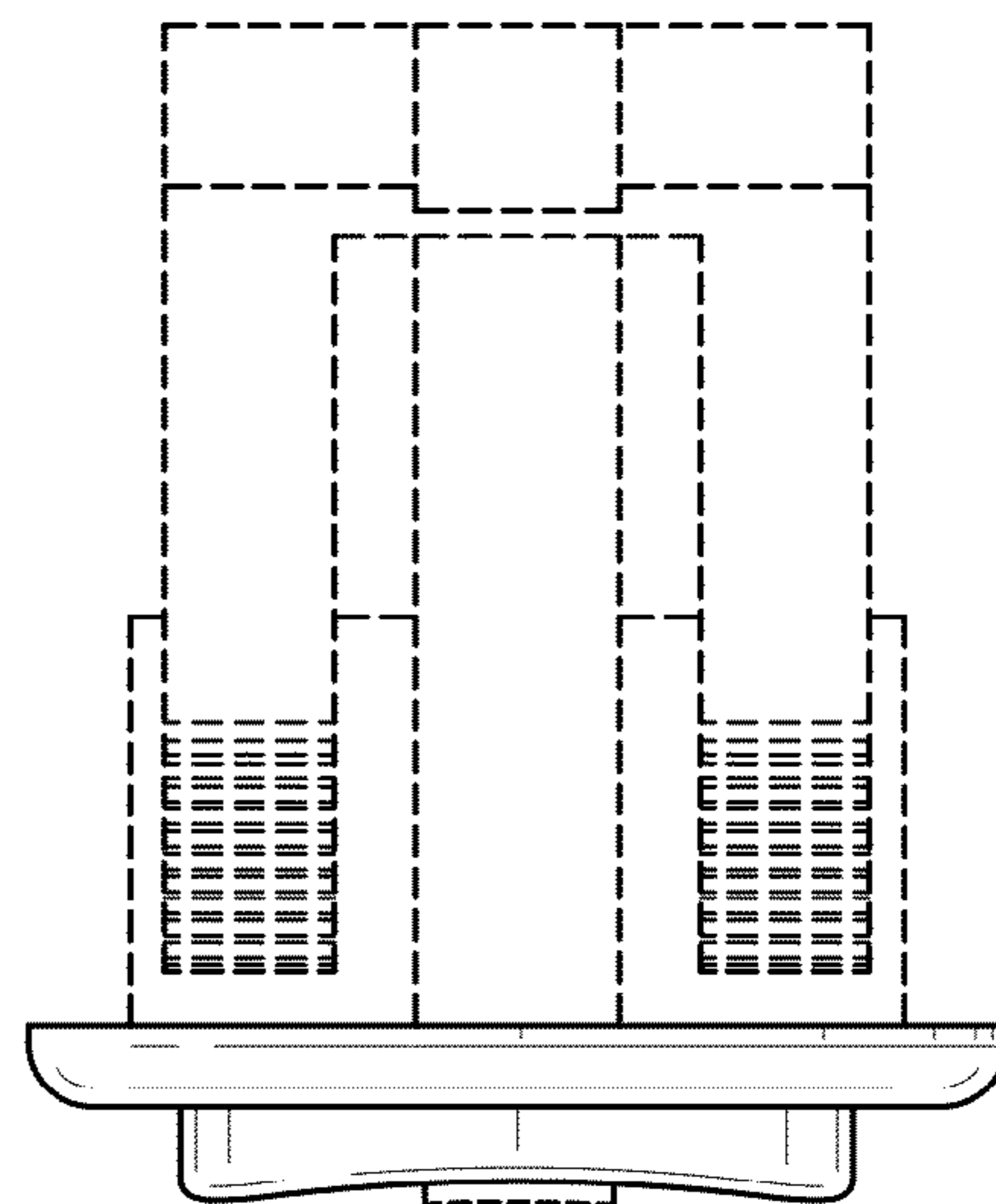


FIG. 6