

US00D737225S

(12) **United States Design Patent**  
**Seidl et al.**

(10) **Patent No.:** **US D737,225 S**

(45) **Date of Patent:** **\*\* Aug. 25, 2015**

(54) **CONTROLLER**

(71) Applicant: **Raffel Systems, LLC**, Germantown, WI (US)

(72) Inventors: **Kenneth G. Seidl**, Port Washington, WI (US); **Paul Stangl**, West Bend, WI (US)

(73) Assignee: **RAFFEL SYSTEMS, LLC**, Germantown, WI (US)

(\*\*) Term: **14 Years**

(21) Appl. No.: **29/492,275**

(22) Filed: **May 29, 2014**

(51) **LOC (10) Cl.** ..... **14-03**

(52) **U.S. Cl.**  
USPC ..... **D13/168**

(58) **Field of Classification Search**  
USPC ..... D13/168; D14/218; D10/104.1, 106.1; D24/200

CPC ..... H03J 1/0025; H03J 9/00; H03J 9/02; H03J 9/04; H03J 9/06; H01H 9/0235; H04B 1/202; G05B 11/01; G08C 17/00; G08C 17/02; G08C 19/28; G08C 23/04; G08C 2201/20; G08C 2201/30; G08C 2201/33; G08C 2201/40; G08C 2201/91; G08C 2201/92  
See application file for complete search history.

(56) **References Cited**

**U.S. PATENT DOCUMENTS**

D467,346 S \* 12/2002 Gerth ..... D24/200  
D509,480 S \* 9/2005 Li ..... D13/168

D510,536 S \* 10/2005 Li ..... D10/106.1  
D513,236 S \* 12/2005 Hunt et al. .... D13/168  
7,218,249 B2 \* 5/2007 Chadha ..... 341/23  
D563,907 S \* 3/2008 Badarello ..... D13/168  
7,884,703 B2 \* 2/2011 Sowada et al. .... 340/286.07  
D656,104 S \* 3/2012 Cook ..... D13/168  
D662,066 S \* 6/2012 Seidl et al. .... D13/168  
D667,798 S \* 9/2012 Burwell et al. .... D13/168  
D670,660 S \* 11/2012 Cook ..... D13/168  
D726,664 S \* 4/2015 McCullar et al. .... D13/168  
D729,748 S \* 5/2015 Cook ..... D13/168

\* cited by examiner

*Primary Examiner* — Selina Sikder

(74) *Attorney, Agent, or Firm* — Tyler J. Sisk; Casimir Jones, S.C.

(57) **CLAIM**

The ornamental design for a controller, as shown and described.

**DESCRIPTION**

FIG. 1 is a top perspective view showing the new design; FIG. 2. is a top plan view thereof; FIG. 3 is a bottom plan view thereof; FIG. 4 is a front elevational view thereof; FIG. 5 is a rear elevational view thereof; FIG. 6 is a left side elevational view thereof; and, FIG. 7 is a right side elevational view thereof. The broken lines in the drawings depict unclaimed environmental subject matter and forms no part of the claimed design.

**1 Claim, 7 Drawing Sheets**

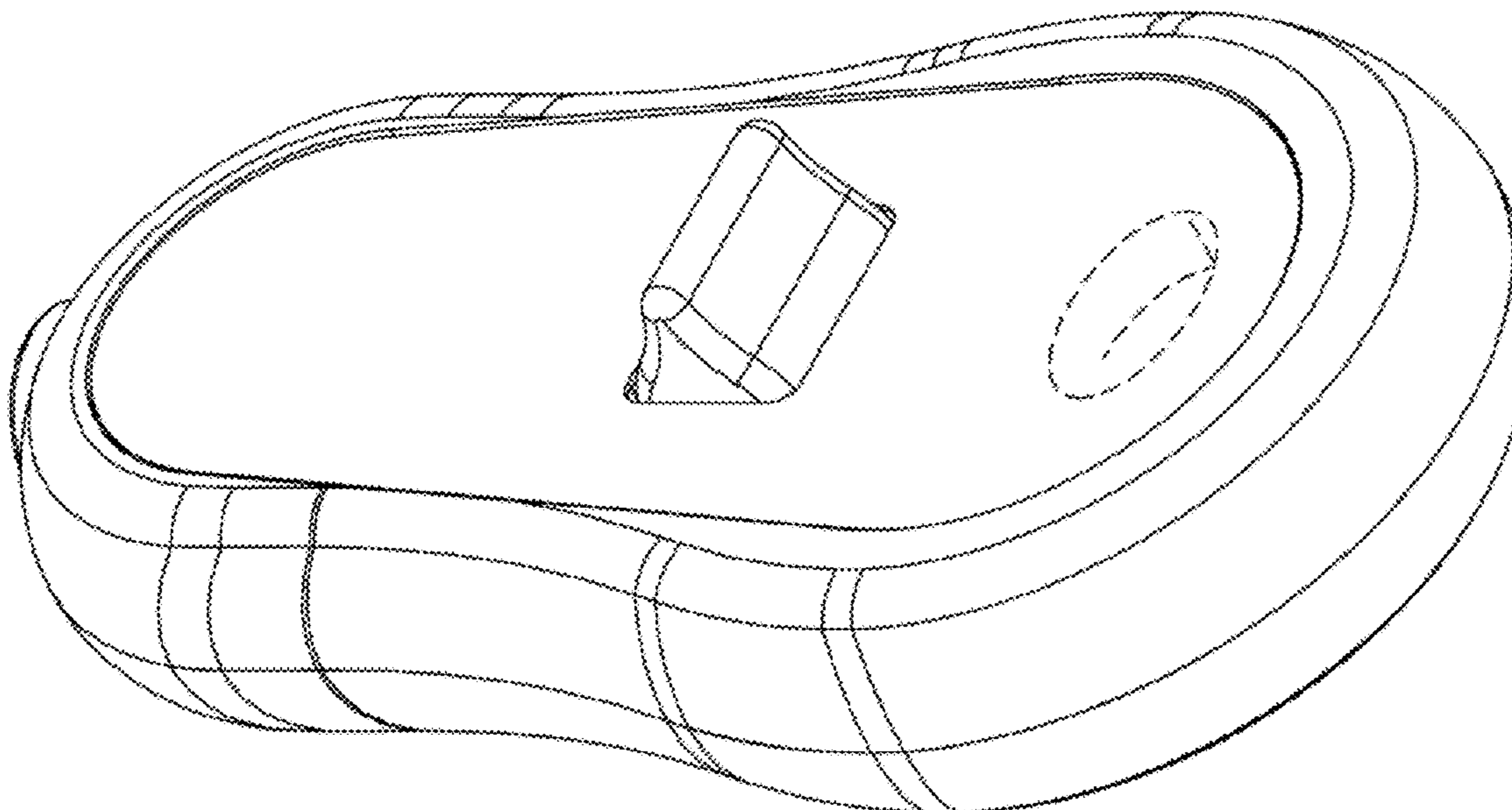


FIG.1

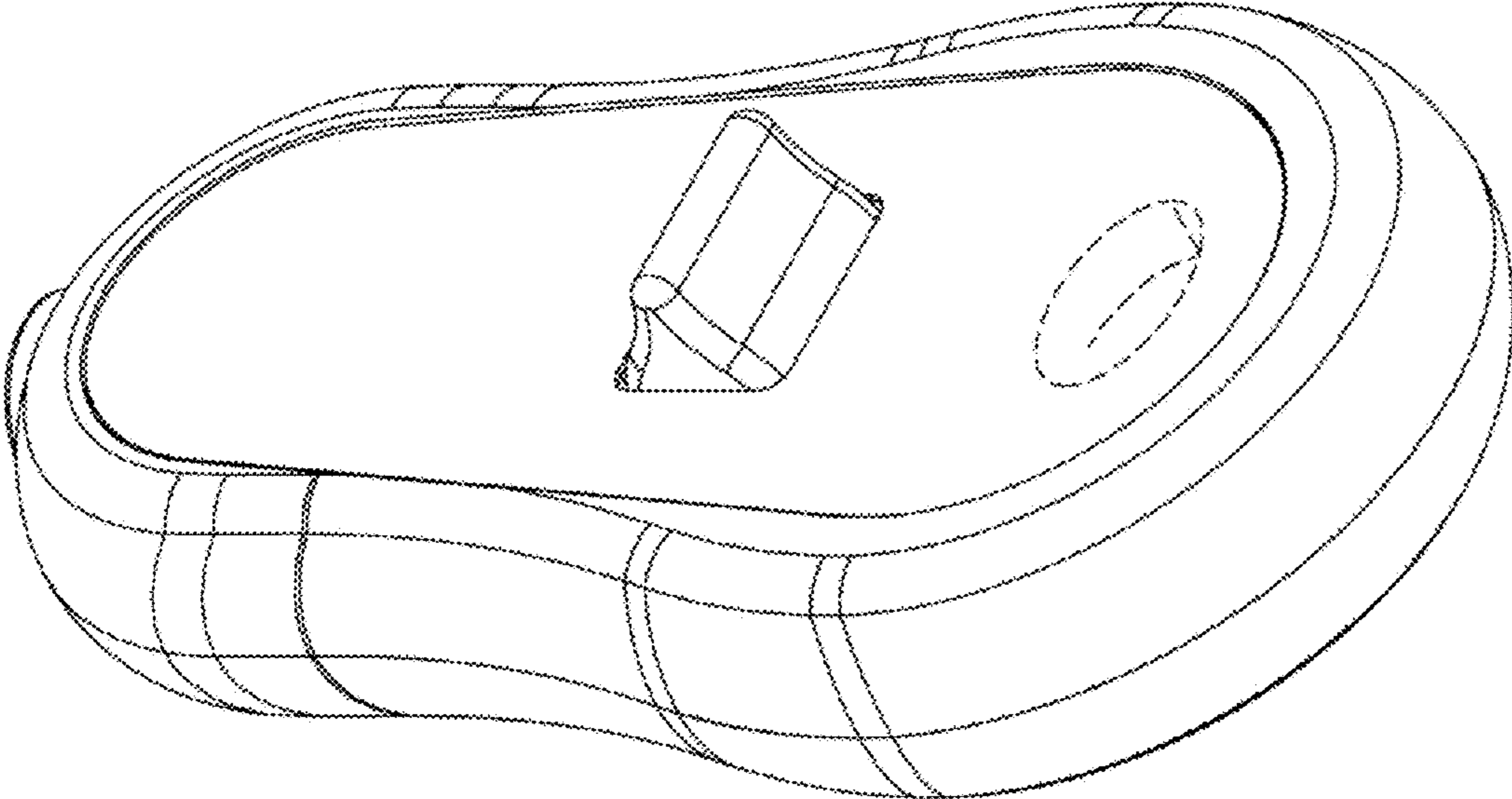


FIG. 2

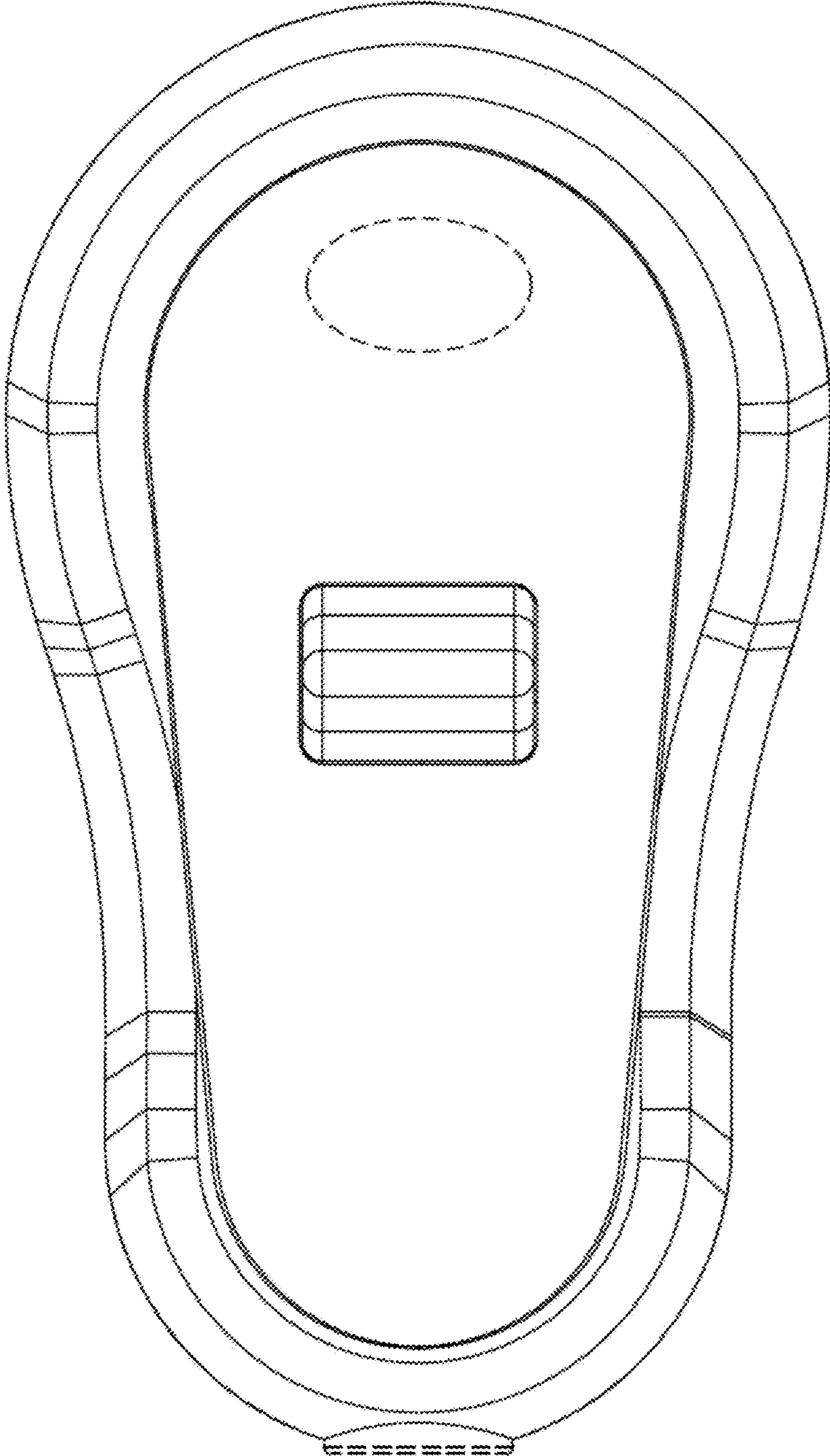


FIG.3

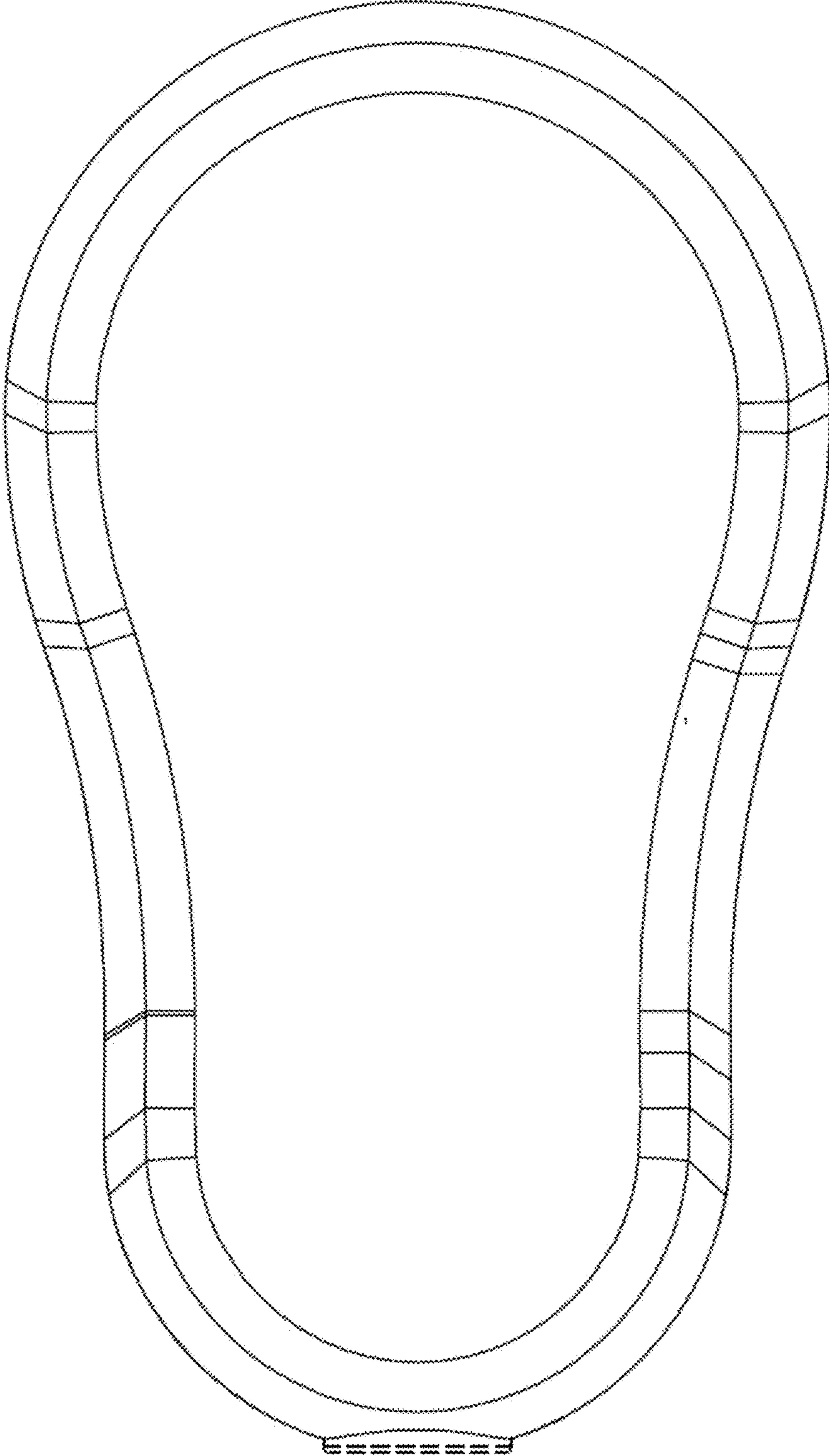


FIG. 4

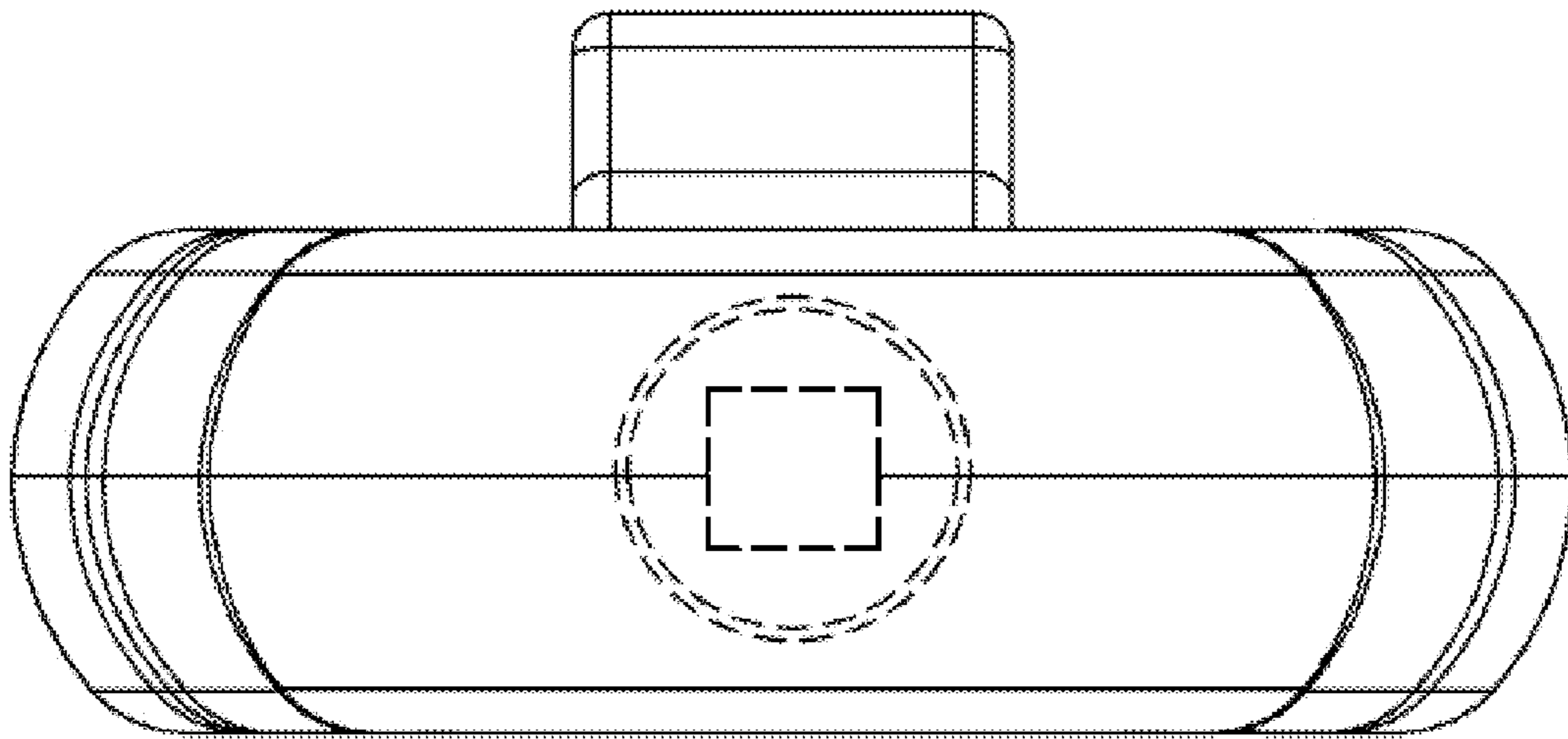


FIG. 5

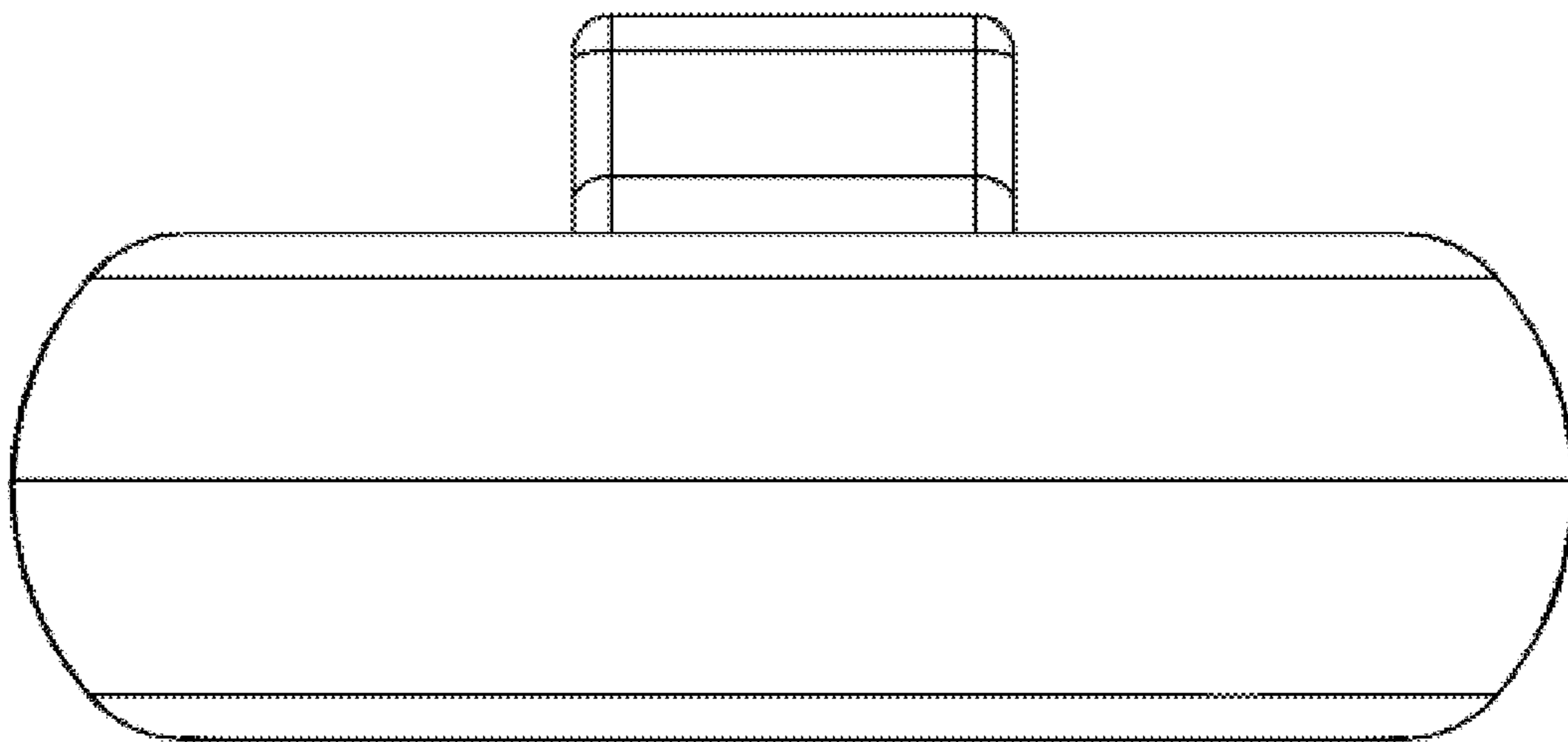


FIG. 6

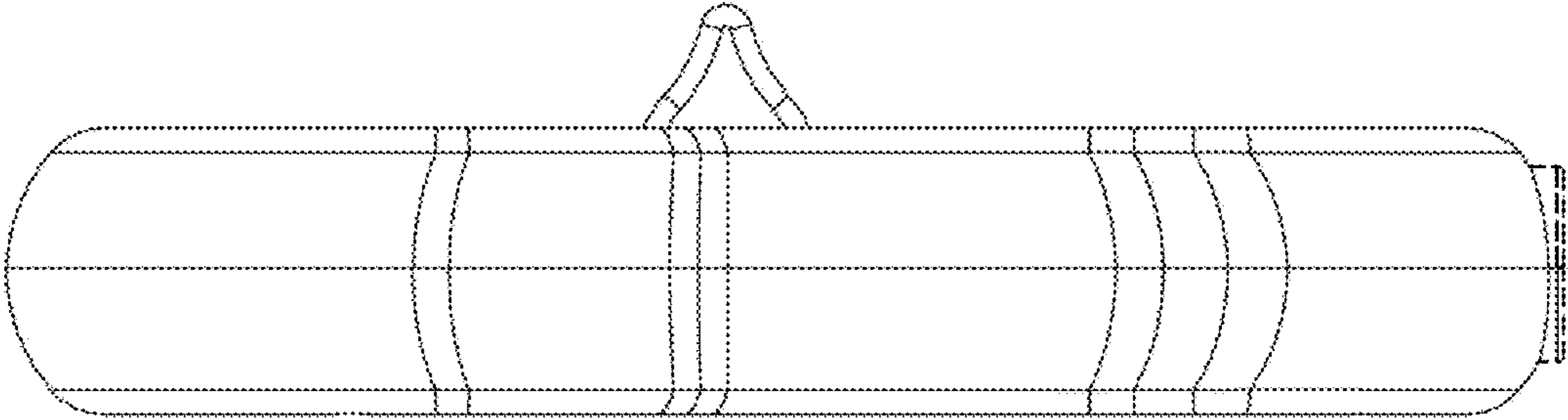


FIG. 7

