



US00D737224S

(12) **United States Design Patent**
Spira

(10) **Patent No.:** **US D737,224 S**

(45) **Date of Patent:** **** Aug. 25, 2015**

(54) **TABLETOP REMOTE LOAD CONTROL DEVICE**

(71) Applicant: **Lutron Electronics Co., Inc.**,
Coopersburg, PA (US)

(72) Inventor: **Joel S. Spira**, Coopersburg, PA (US)

(73) Assignee: **LUTRON ELECTRONICS CO., INC.**,
Coopersburg, PA (US)

(**) Term: **14 Years**

(21) Appl. No.: **29/488,263**

(22) Filed: **Apr. 17, 2014**

(51) **LOC (10) Cl.** **14-03**

(52) **U.S. Cl.**
USPC **D13/168**

(58) **Field of Classification Search**
USPC D13/168; D14/218; 340/4.3, 4.42,
340/12.22, 12.23, 12.24, 12.29, 12.3, 12.55,
340/13.2, 13.21, 13.24; 341/176; 345/169;
348/734; 455/352

CPC H03J 1/0025; H03J 9/00; H03J 9/02;
H03J 9/04; H03J 9/06; H01H 2009/187;
H01H 9/02; H01H 9/0214; H01H 9/0242;
H01H 9/18; H05B 37/02; H05B 37/0272;
H05B 39/088; G08C 17/00; G08C 17/02;
G08C 19/28; G08C 23/02; G08C 23/04

See application file for complete search history.

(56) **References Cited**

U.S. PATENT DOCUMENTS

D592,608 S * 5/2009 Felegy et al. D13/168
D614,146 S * 4/2010 Felegy et al. D13/168
D614,147 S * 4/2010 Snyder et al. D13/168
D615,046 S * 5/2010 Felegy et al. D13/168
D616,836 S * 6/2010 Felegy et al. D13/168
D619,105 S * 7/2010 Felegy et al. D13/168
D619,544 S * 7/2010 Petrillo et al. D13/168

D619,972 S * 7/2010 Felegy et al. D13/168
D625,274 S * 10/2010 Felegy et al. D13/168
D626,092 S * 10/2010 Clymer et al. D13/168
D627,308 S * 11/2010 Snyder et al. D13/168
D631,850 S * 2/2011 Jacoby et al. D13/168
D631,852 S * 2/2011 Clymer et al. D13/168
D631,855 S * 2/2011 Blair et al. D13/168
D640,209 S * 6/2011 Felegy et al. D13/168
D661,664 S * 6/2012 Felegy et al. D13/168
D684,543 S * 6/2013 Felegy et al. D13/168

(Continued)

OTHER PUBLICATIONS

U.S. Appl. No. 29/484,421, filed Mar. 10, 2014, Altonen et al.

(Continued)

Primary Examiner — Selina Sikder

(74) *Attorney, Agent, or Firm* — Mark E. Rose; Philip N. Smith

(57) **CLAIM**

I claim the ornamental design for a tabletop remote load control device, as shown and described.

DESCRIPTION

FIG. 1 is a perspective view of a tabletop remote load control device according to a first embodiment of my new design.

FIG. 2 is a front view thereof.

FIG. 3 is a left side view thereof.

FIG. 4 is a right side view thereof.

FIG. 5 is a top view thereof.

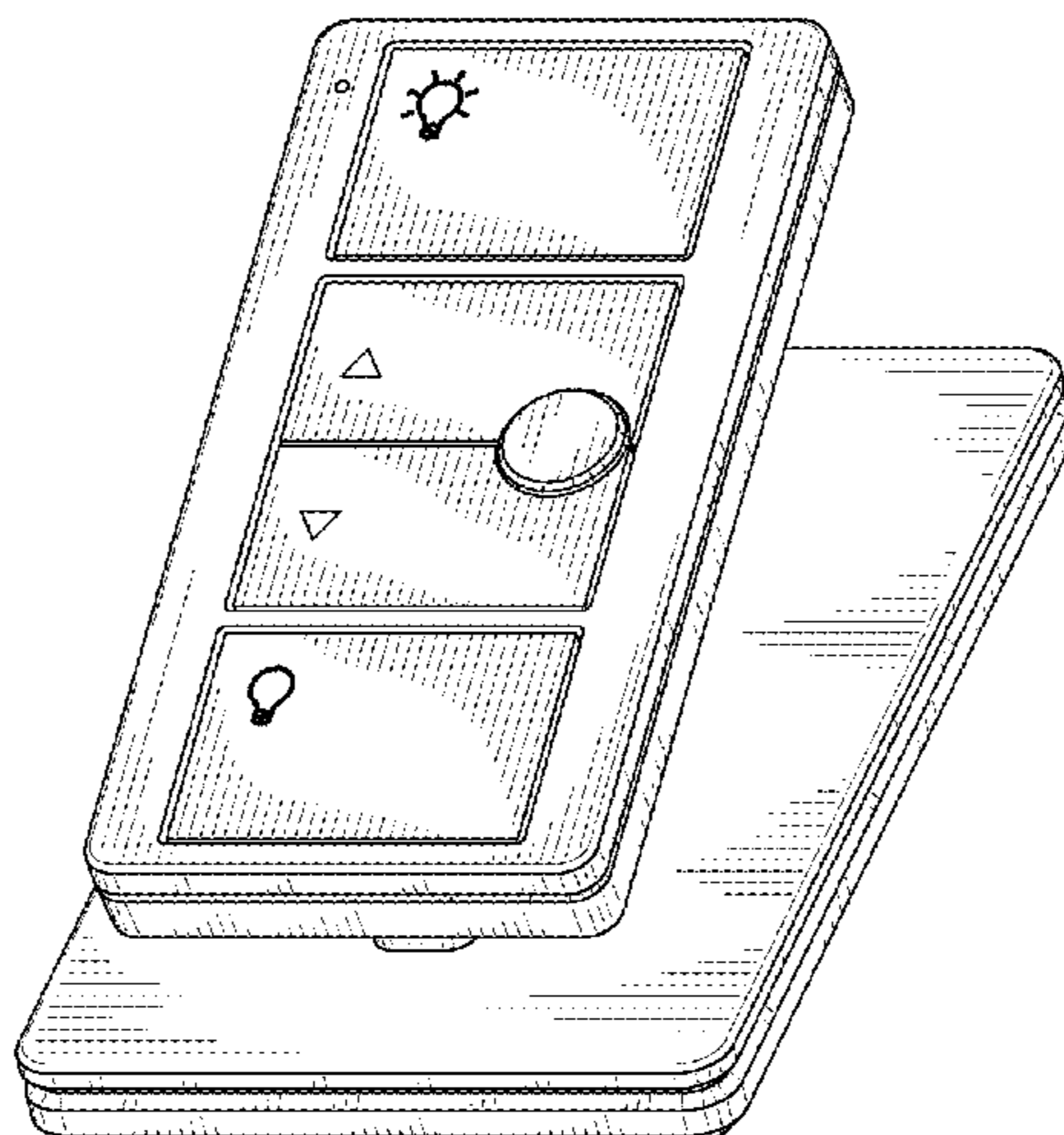
FIG. 6 is a bottom view thereof.

FIG. 7 is a perspective view of a tabletop remote load control device according to a second embodiment of my new design.

FIG. 8 is a front view thereof; and,

FIG. 9 is a bottom view thereof, the left side, right side, and top views, respectively, of the second embodiment being identical to the left side, right side, and top views of the first embodiment.

1 Claim, 7 Drawing Sheets



(56)

References Cited

U.S. PATENT DOCUMENTS

D703,623 S 4/2014 Altonen et al.
D704,152 S 5/2014 Altonen et al.
D704,153 S * 5/2014 Altonen et al. D13/168
D711,838 S 8/2014 Spira
D713,360 S 9/2014 Spira
D713,361 S * 9/2014 Spira D13/168
2008/0111491 A1 * 5/2008 Spira 315/158
2009/0251352 A1 * 10/2009 Altonen et al. 341/176
2011/0266122 A1 * 11/2011 Zaharchuk et al. 200/308
2012/0286940 A1 * 11/2012 Carmen et al. 340/12.5

2013/0141009 A1 * 6/2013 Jin et al. 315/292
2013/0328500 A1 * 12/2013 Toda 315/292
2013/0334969 A1 * 12/2013 Ishikita 315/129

OTHER PUBLICATIONS

U.S. Appl. No. 29/488,253, filed Apr. 17, 2014, Altonen et al.
U.S. Appl. No. 29/488,247, filed Apr. 17, 2014, Altonen et al.
U.S. Appl. No. 29/488,242, filed Apr. 17, 2014, Altonen et al.
U.S. Appl. No. 29/488,250, filed Apr. 17, 2014, Altonen et al.
U.S. Appl. No. 29/488,265, filed Apr. 17, 2014, Joel S. Spira.
U.S. Appl. No. 29/488,264, filed Apr. 17, 2014, Joel S. Spira.
U.S. Appl. No. 29/488,260, filed Apr. 17, 2014, Joel S. Spira.

* cited by examiner

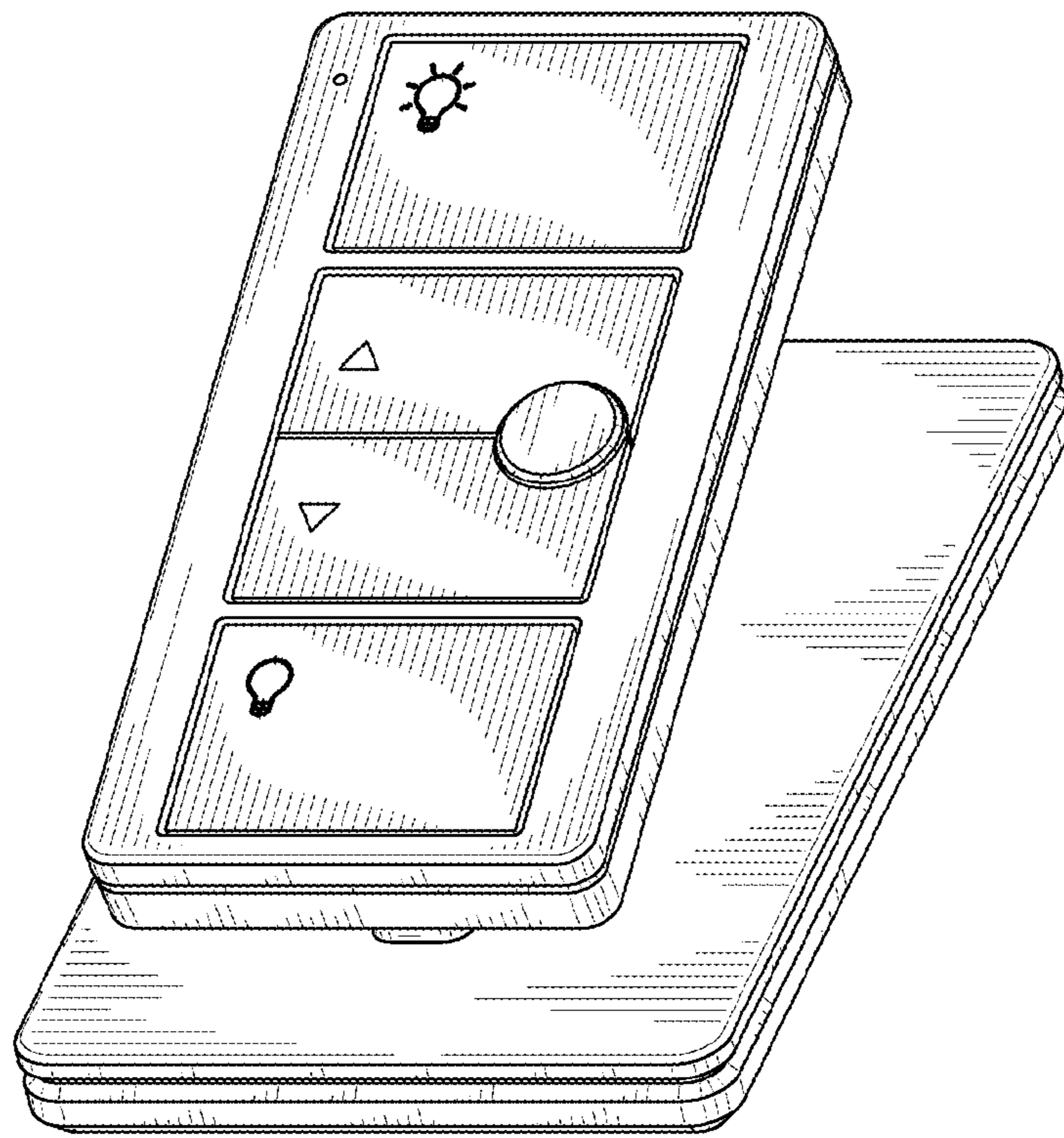


Fig. 1

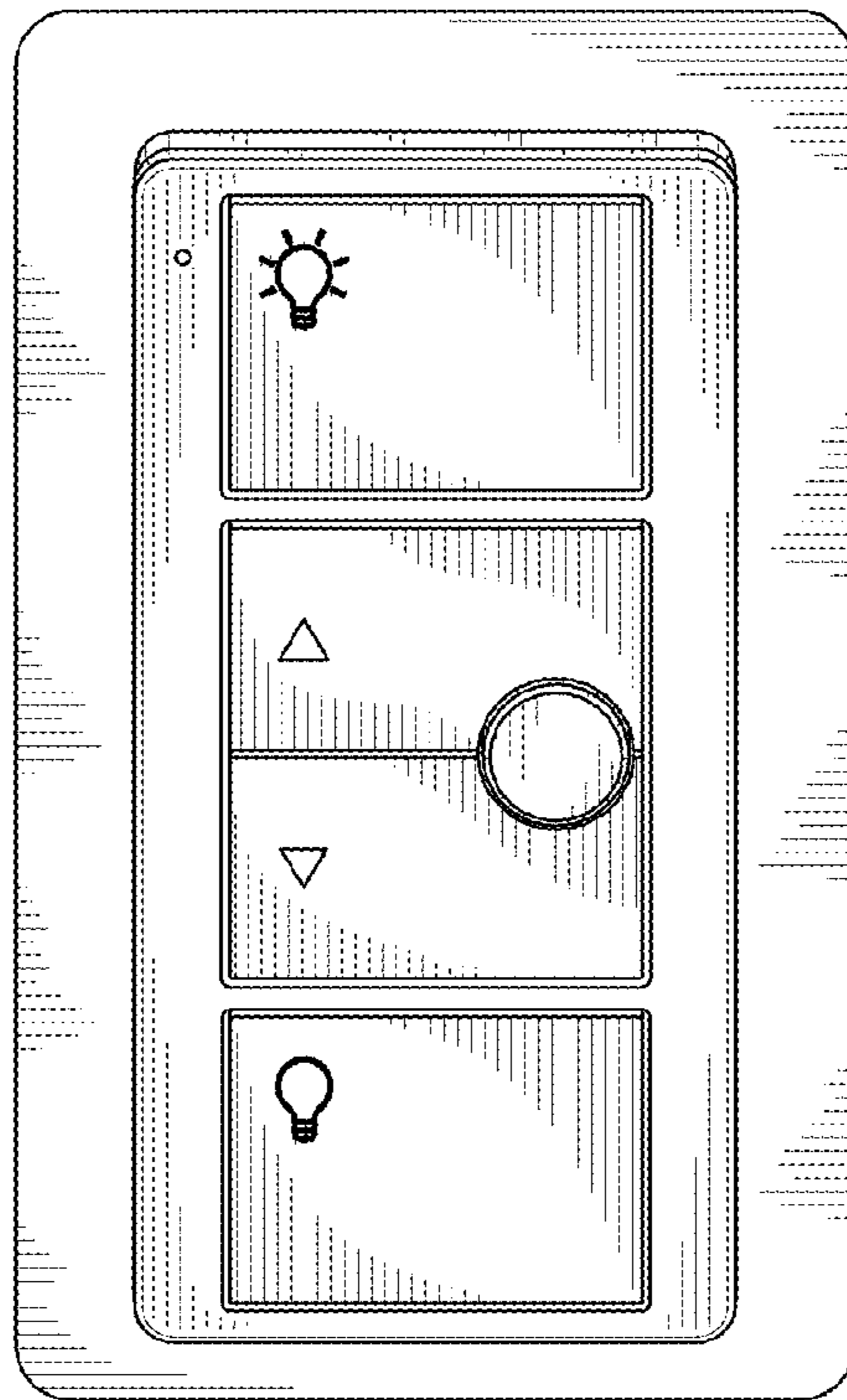


Fig. 2

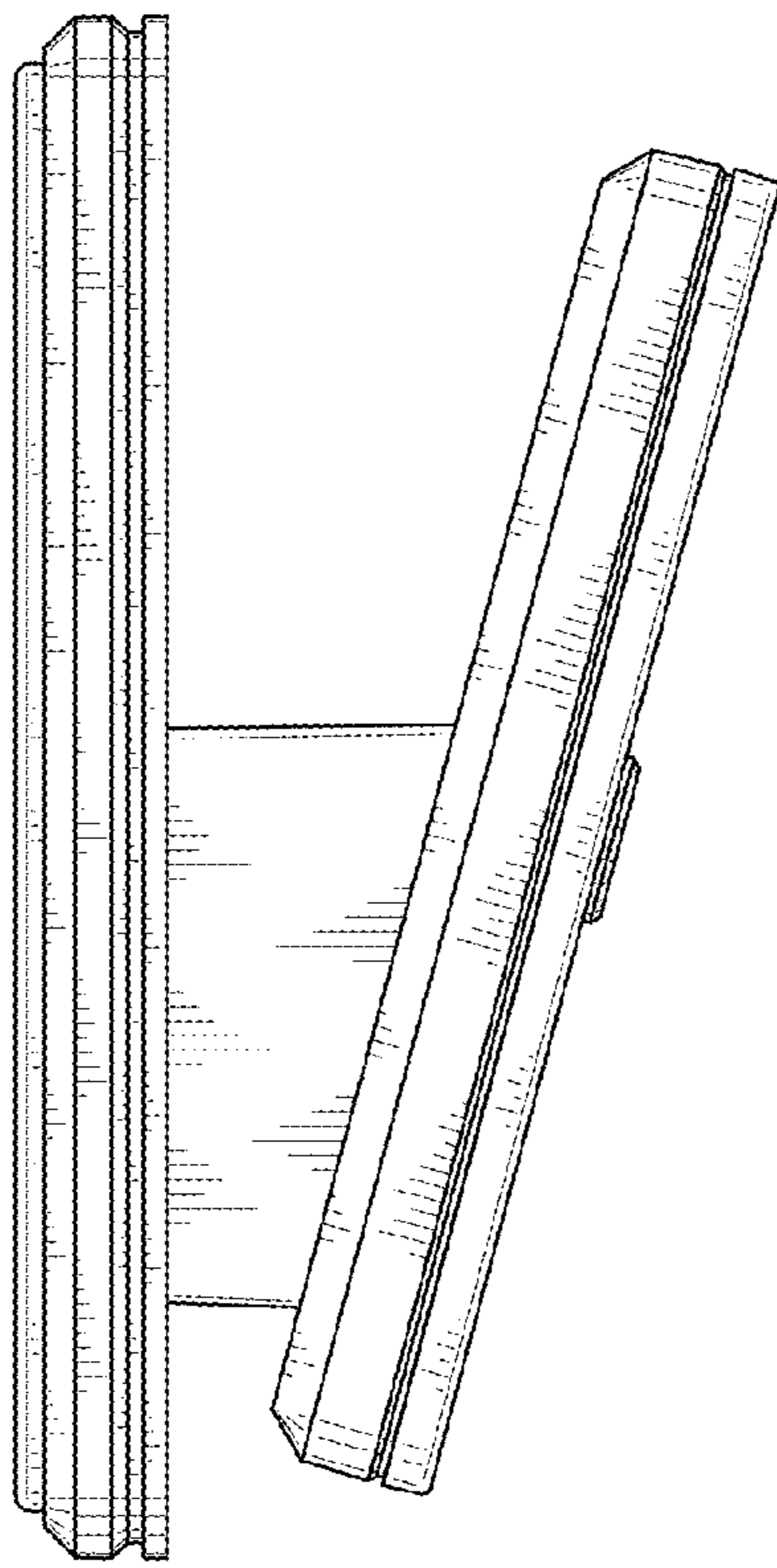


Fig. 3

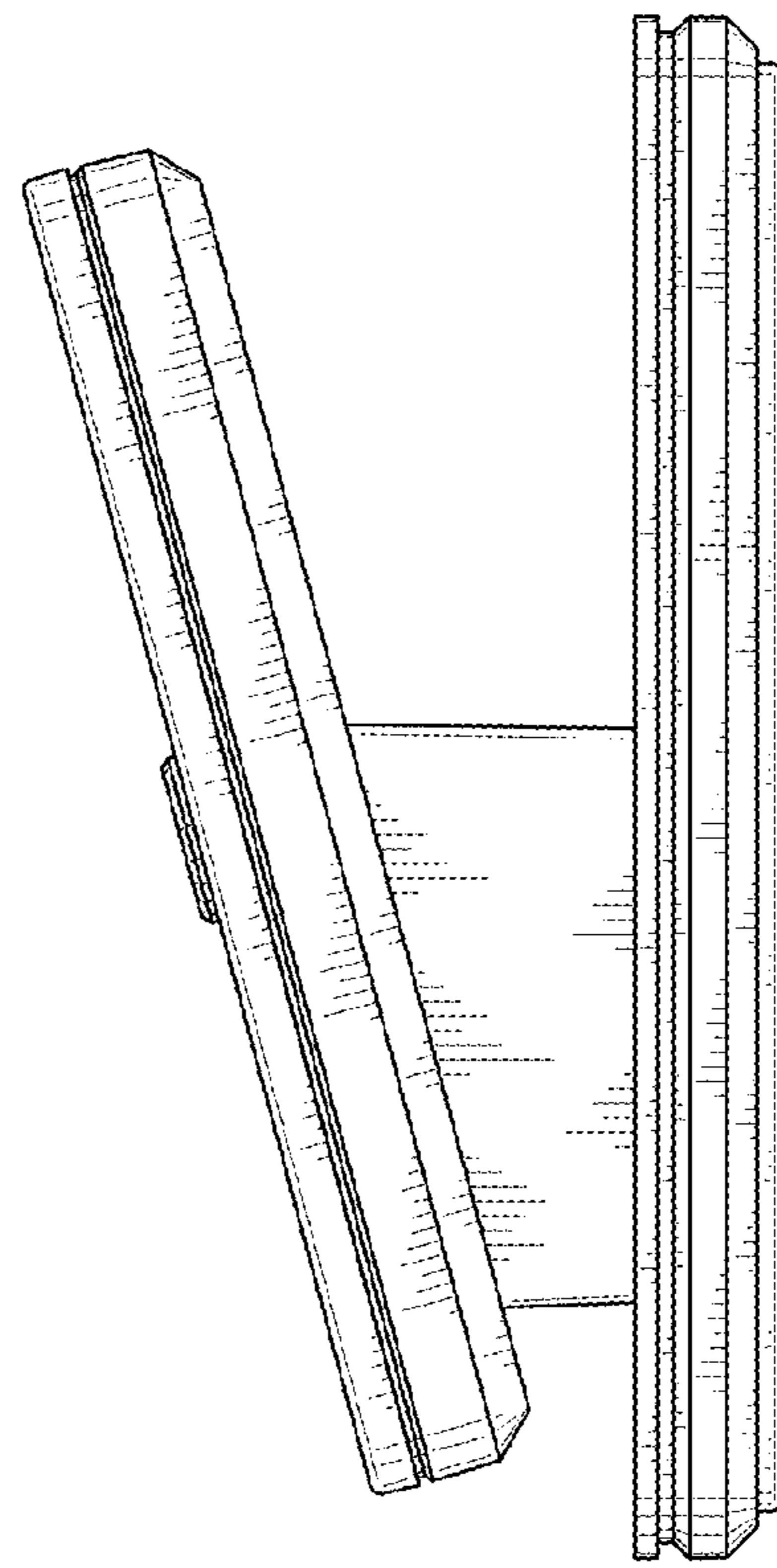


Fig. 4

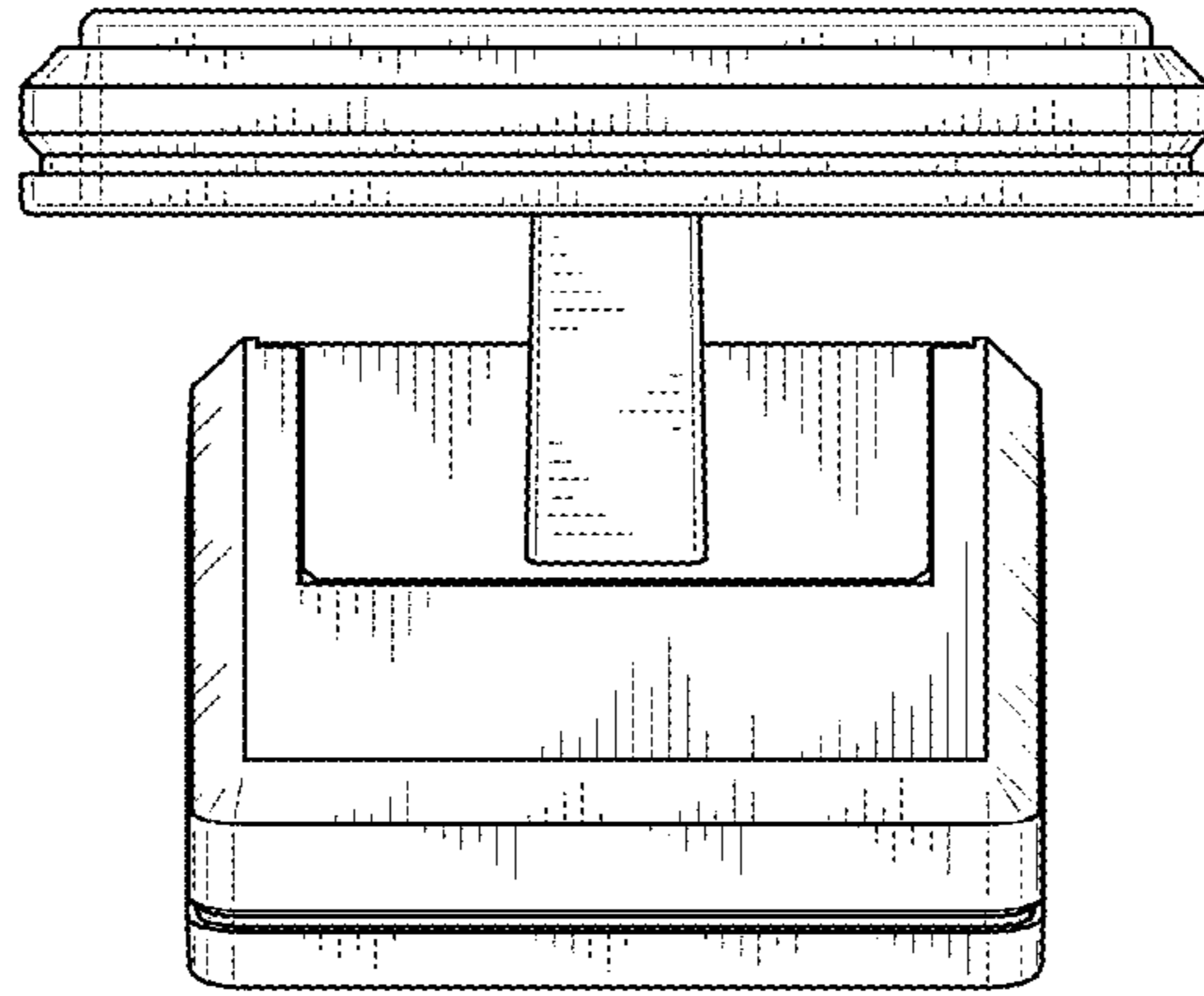


Fig. 5

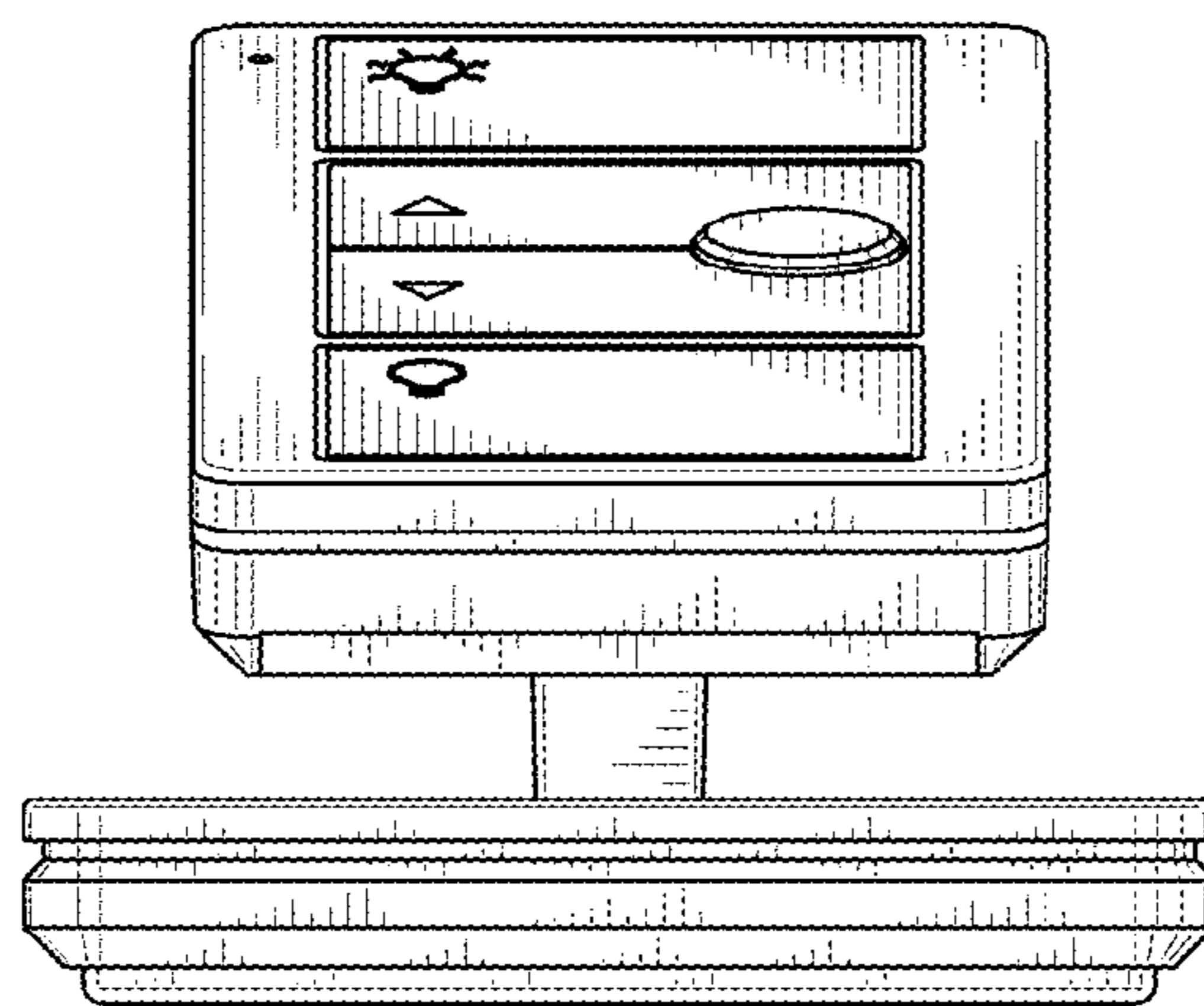


Fig. 6

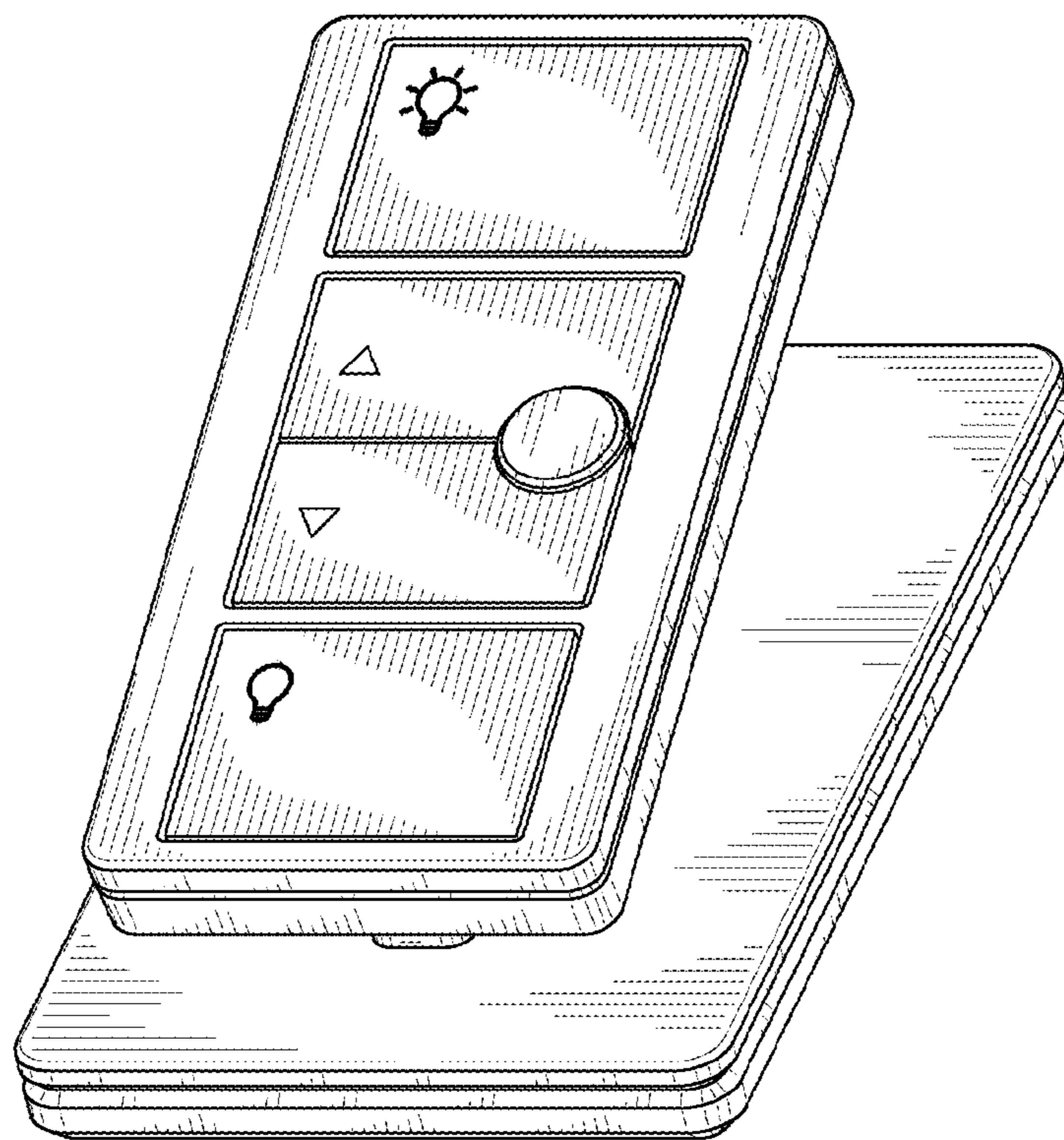


Fig. 7

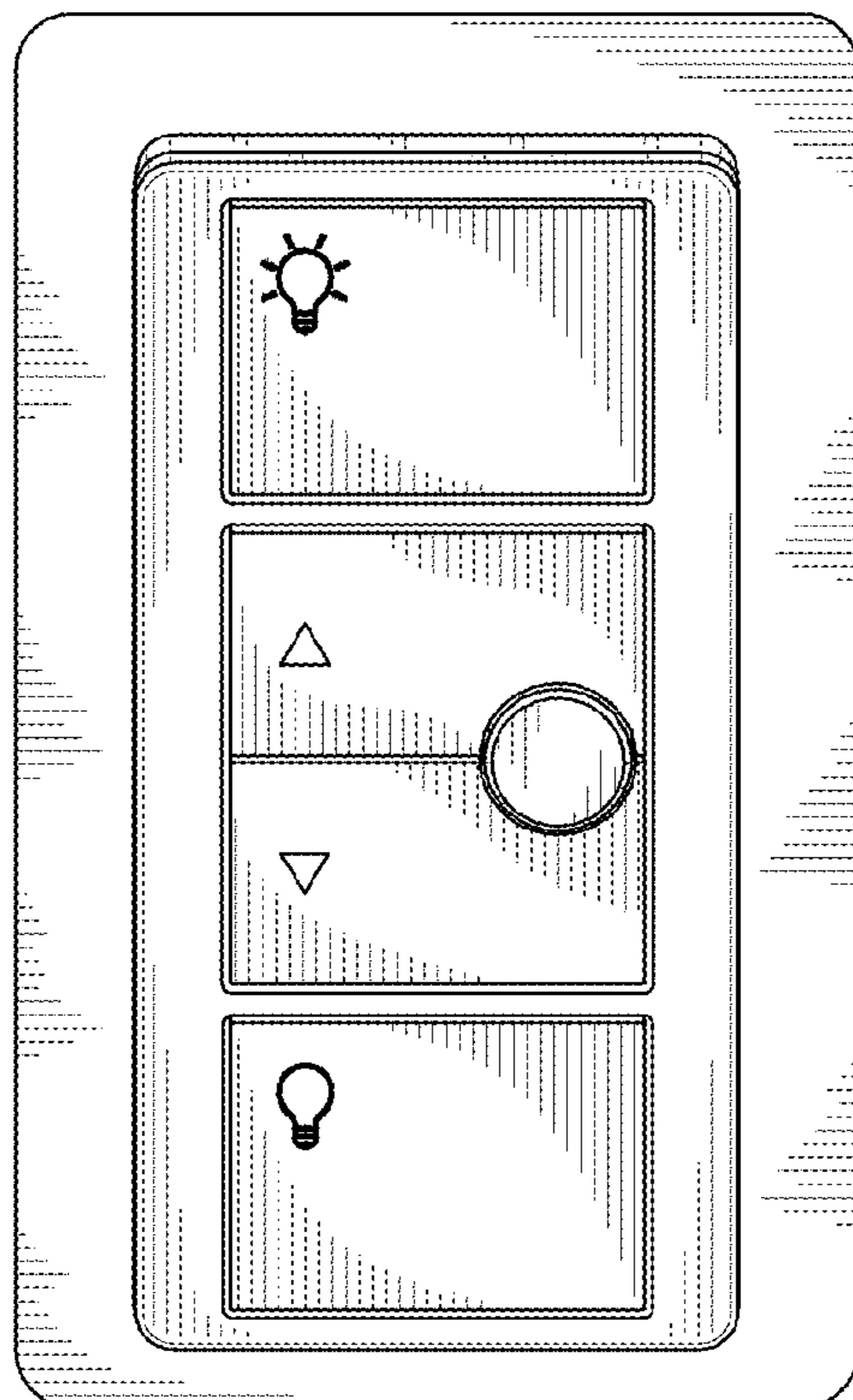


Fig. 8

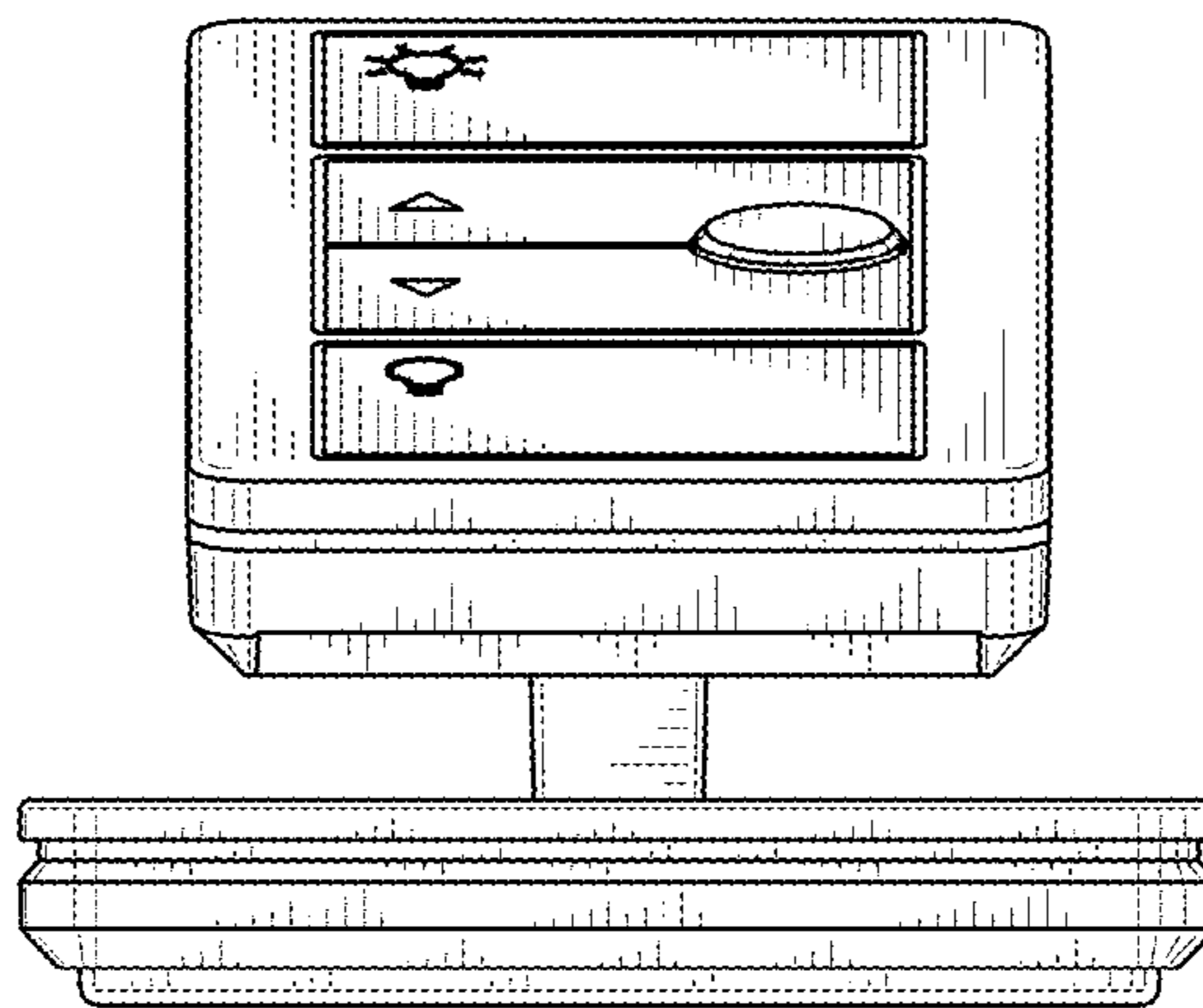


Fig. 9