



US00D737221S

(12) **United States Design Patent**
Andersson et al.

(10) **Patent No.:** **US D737,221 S**
(45) **Date of Patent:** **** Aug. 25, 2015**

(54) **SWITCHING DEVICE**

D654,441 S * 2/2012 Mattlar et al. D13/158
D695,229 S * 12/2013 Ran et al. D13/158
D695,230 S * 12/2013 Zhang et al. D13/158

(71) Applicant: **Siemens Aktiengesellschaft**, München
(DE)

OTHER PUBLICATIONS

(72) Inventors: **Jan Andersson**, Erlangen (DE); **Tobias Reese**, Bamberg (DE); **Christoph Tomczak**, Erlangen (DE)

Siemens press release, Feb. 18, 2014, [online], [site visited Aug. 7, 2014]. Available from Internet, <URL: <http://www.siemens.com/press/en/pressrelease/?press=/en/pressrelease/2014/infrastructure-cities/low-medium-voltage/iclmv20140202.htm&content%5b%5d=ICLMV>>.*

(73) Assignee: **SIEMENS AKTIENGESELLSCHAFT**, München
(DE)

'3KD Switch Disconnectors.Reliable Safety' , Jun. 10, 2014, [online], [site visited Aug. 7, 2014]. Available from Internet, <URL: <https://www.youtube.com/watch?v=gy938p9IZdg>>.*

(**) Term: **14 Years**

* cited by examiner

(21) Appl. No.: **29/482,525**

Primary Examiner — Thomas Johannes

(22) Filed: **Feb. 19, 2014**

Assistant Examiner — Shawn T Gingrich

(30) **Foreign Application Priority Data**

(74) *Attorney, Agent, or Firm* — Henry M. Feiereisen LLC.

Aug. 20, 2013 (EP) 001381305

(51) **LOC (10) Cl.** **13-03**

(57) **CLAIM**

The ornamental design for the switching device, as shown and described.

(52) **U.S. Cl.**

USPC **D13/158**

DESCRIPTION

(58) **Field of Classification Search**

USPC D13/123, 147, 151, 158-177, 184;
200/43, 295, 296, 308, 310, 314, 329,
200/340, 1 R, 5 A, 5 R, 6 R; 439/491, 535;
335/202, 251, 262

See application file for complete search history.

FIG. 1 is a front elevational view of a switching device showing my new design;
FIG. 2 is a rear elevational view thereof;
FIG. 3 is a top elevational view thereof;
FIG. 4 is a bottom elevational view thereof;
FIG. 5 is a right side elevational view thereof;
FIG. 6 is a left side elevational view thereof; and,
FIG. 7 is a front right side perspective view thereof.

(56) **References Cited**

U.S. PATENT DOCUMENTS

5,424,900 A * 6/1995 Kiiskinen et al. 361/116
D519,086 S * 4/2006 Bluemel D13/159
D642,991 S * 8/2011 Mattlar et al. D13/158
D653,624 S * 2/2012 Mattlar et al. D13/158

The broken line portion of the figure drawings is included to show unclaimed subject matter only and forms no part of the claimed design.

1 Claim, 7 Drawing Sheets

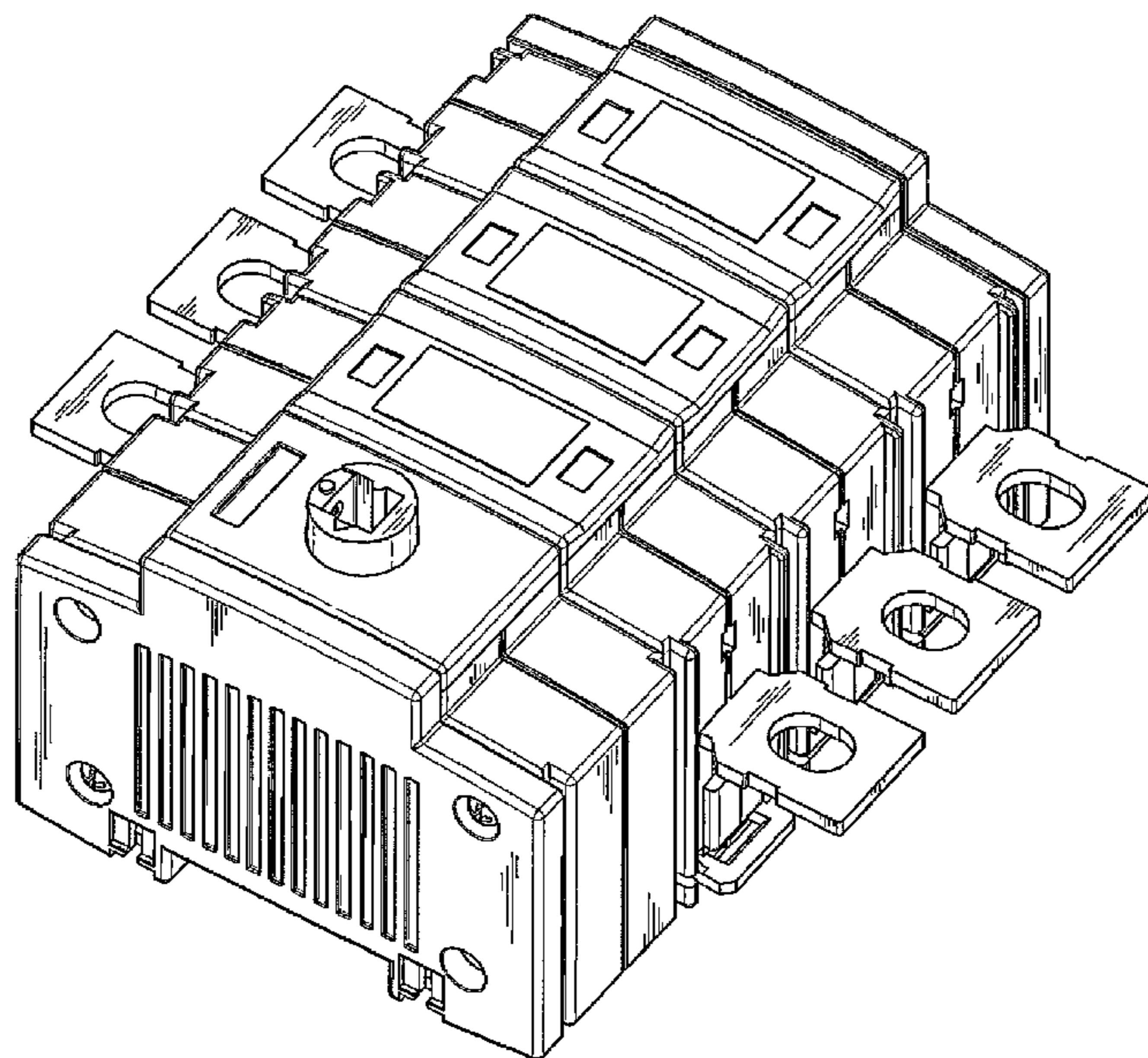


FIG 1

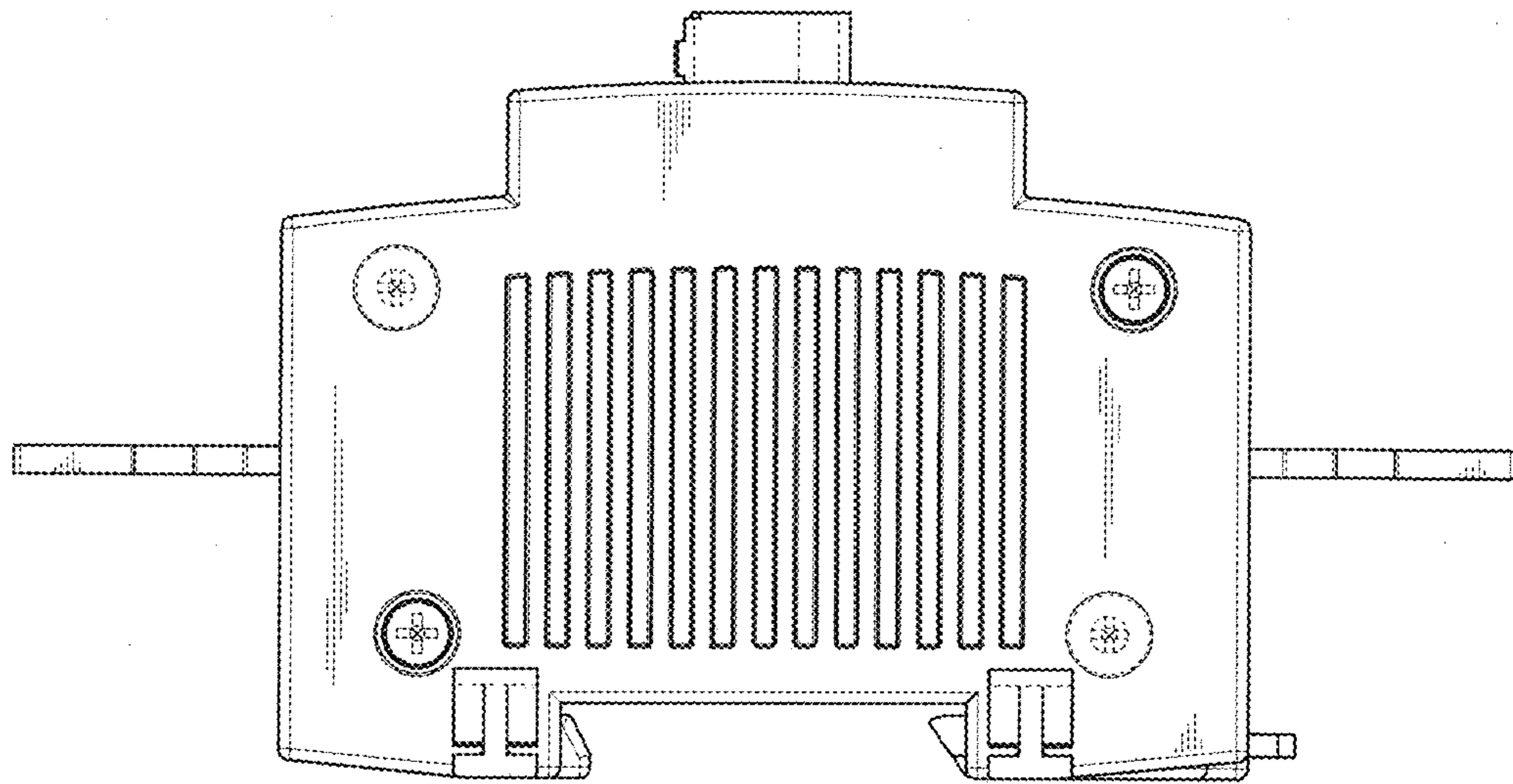


FIG 2

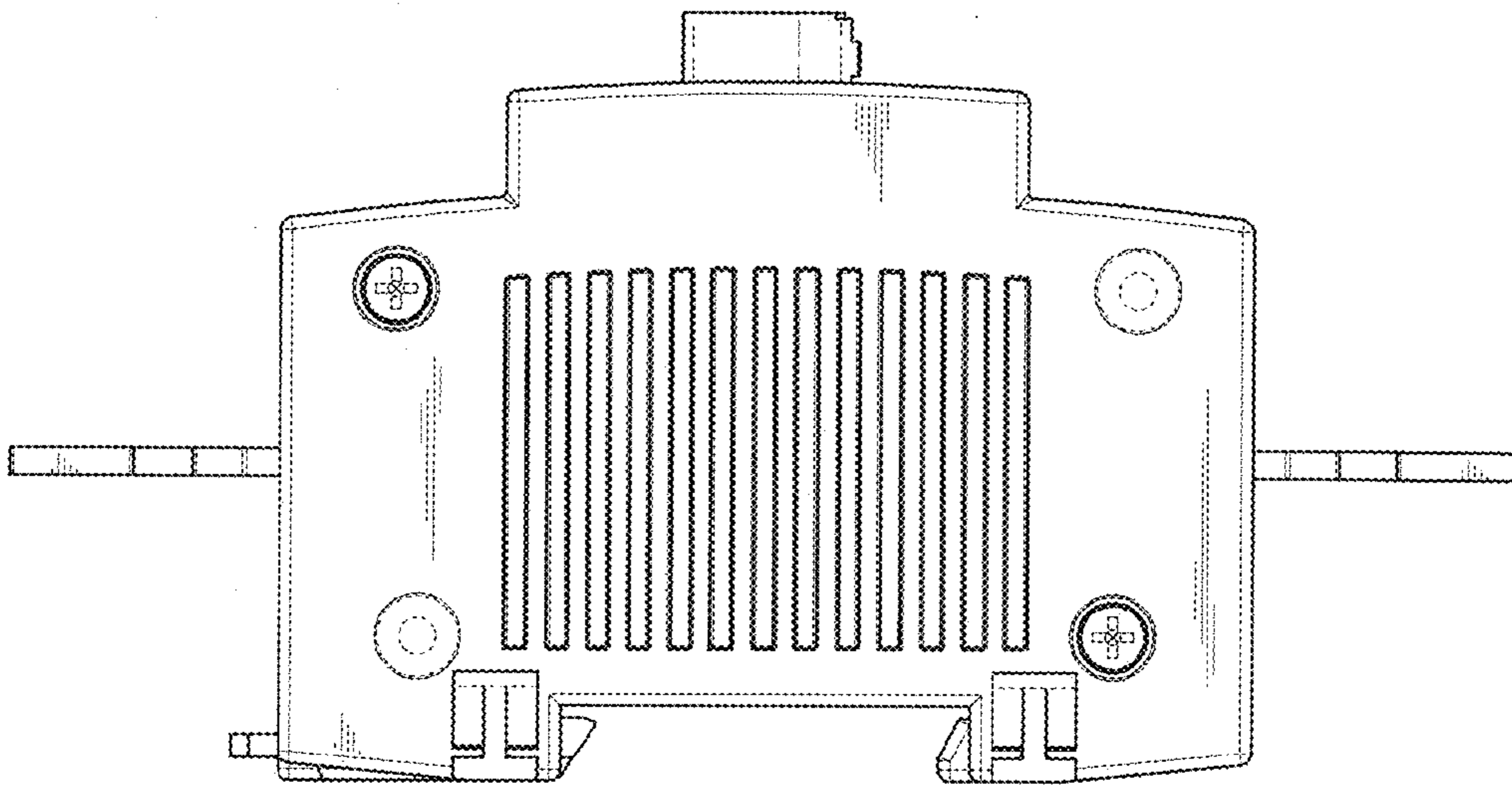


FIG.3

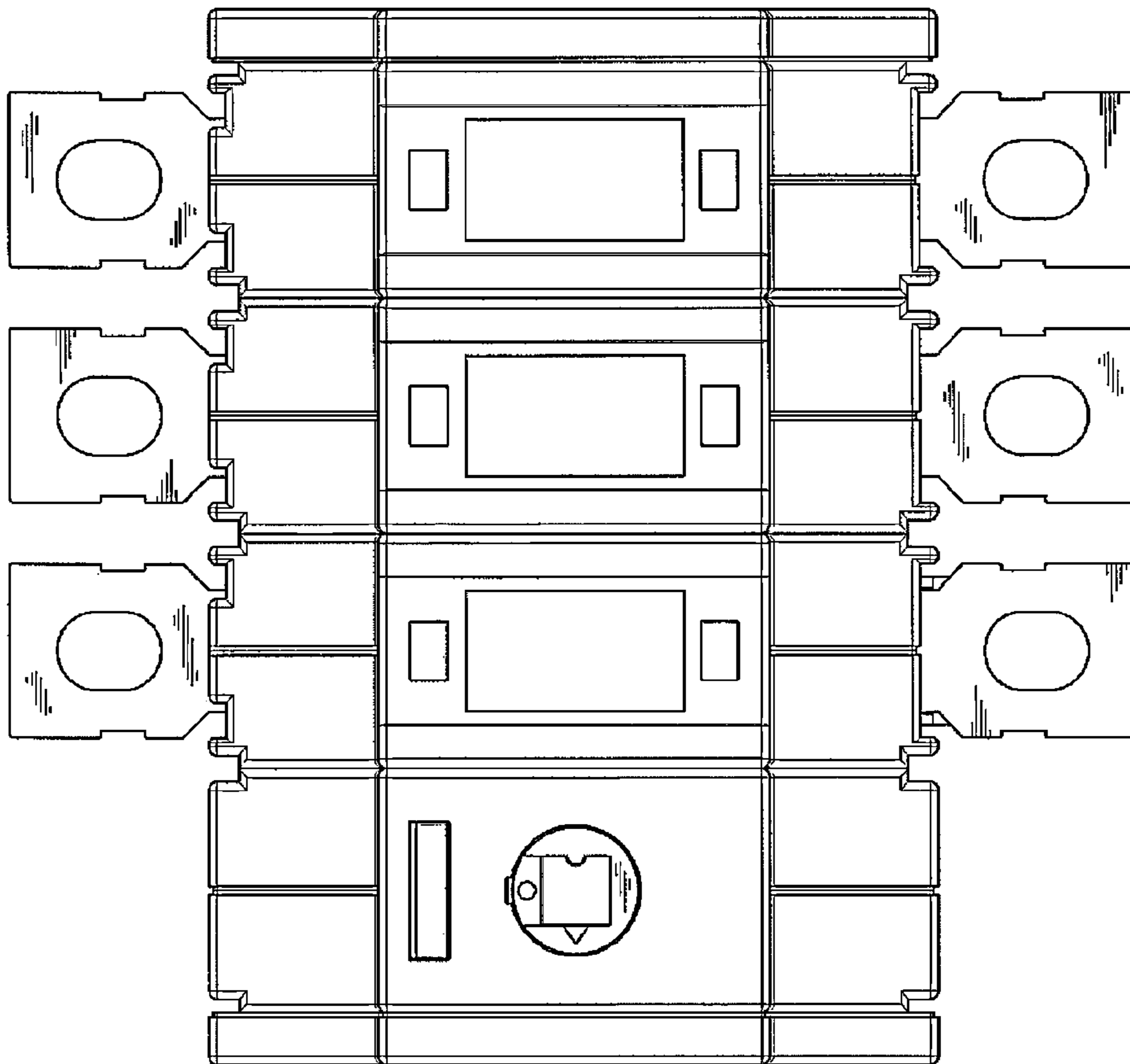


FIG 4

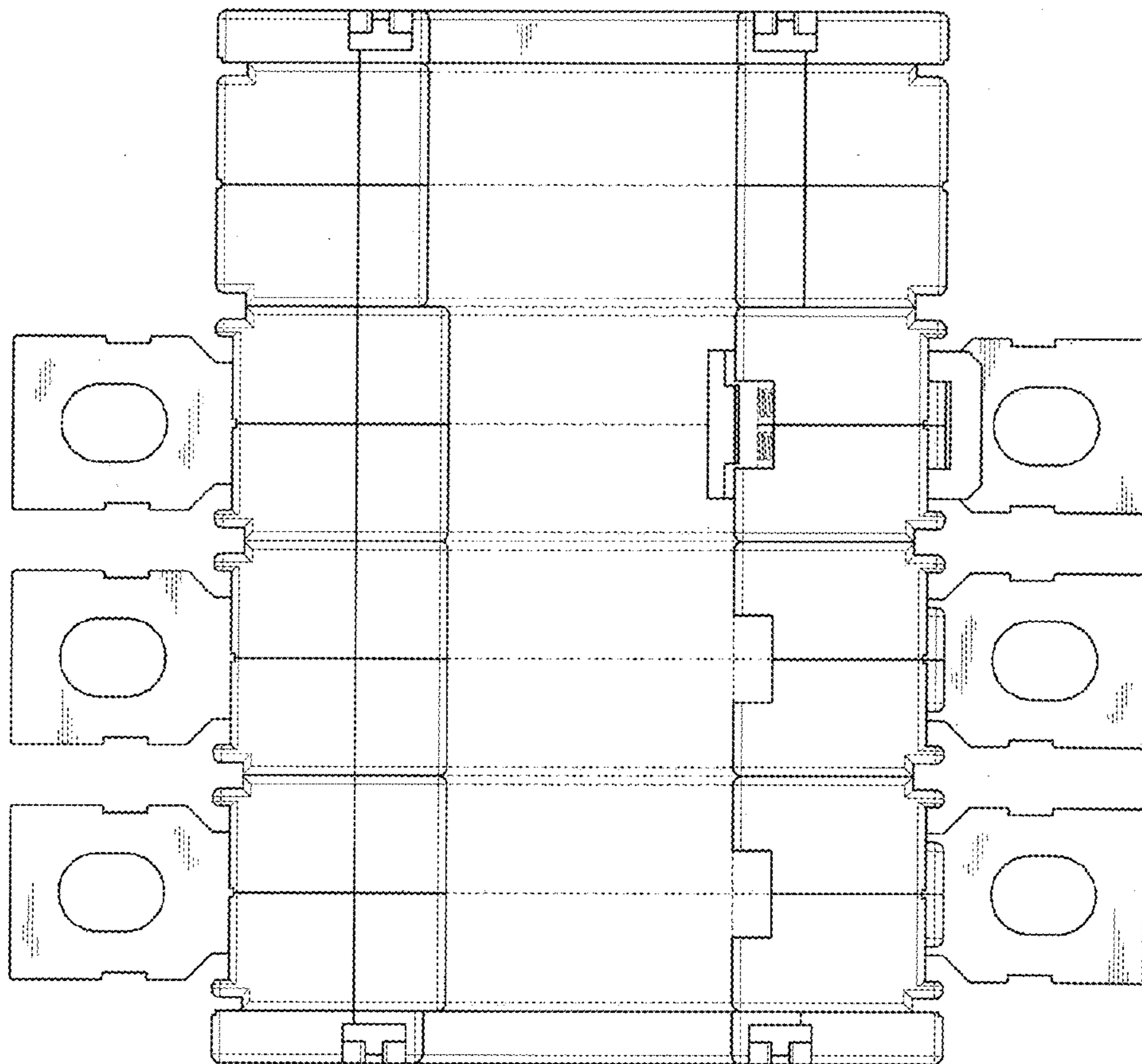


FIG 5

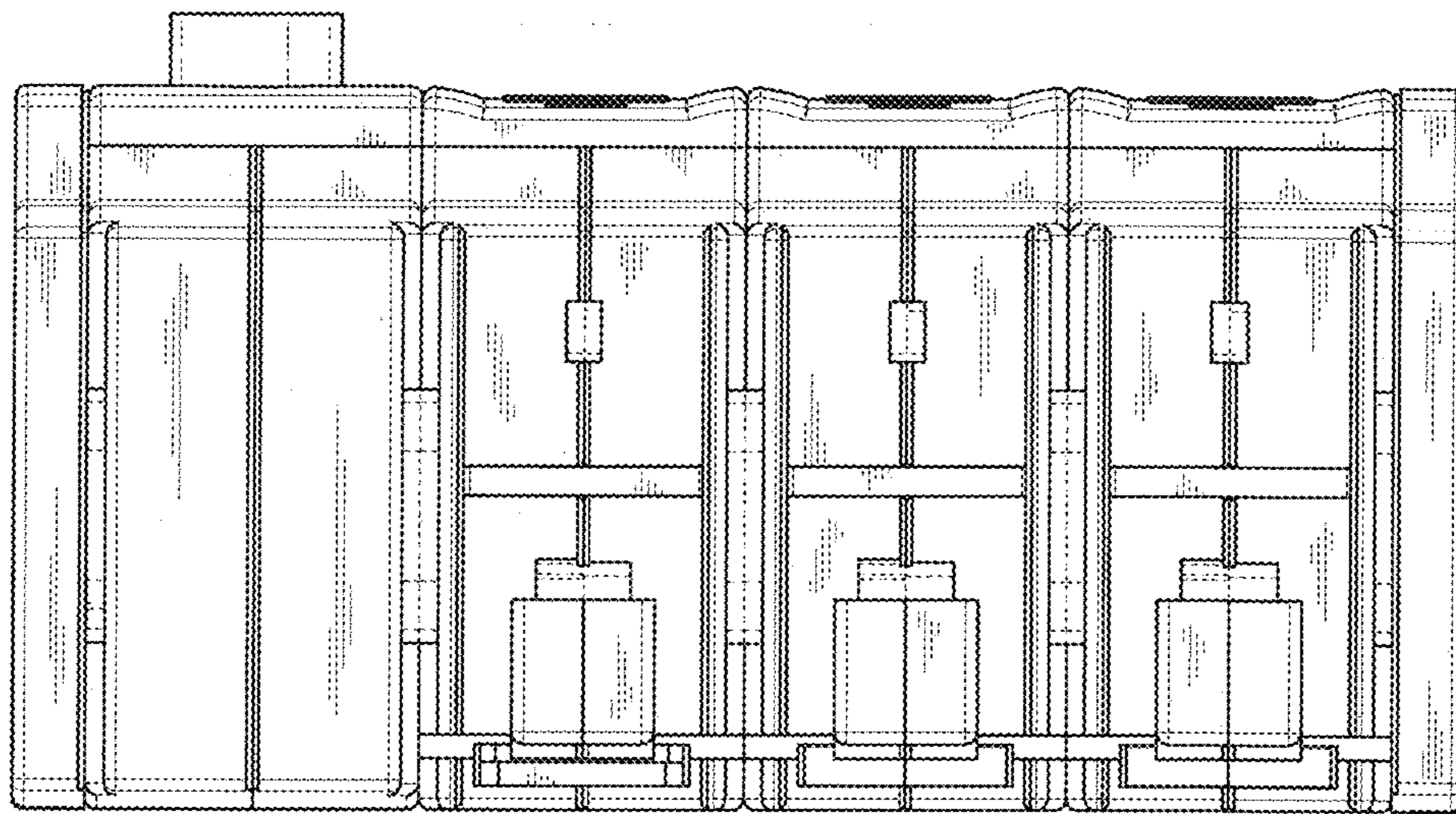


FIG 6

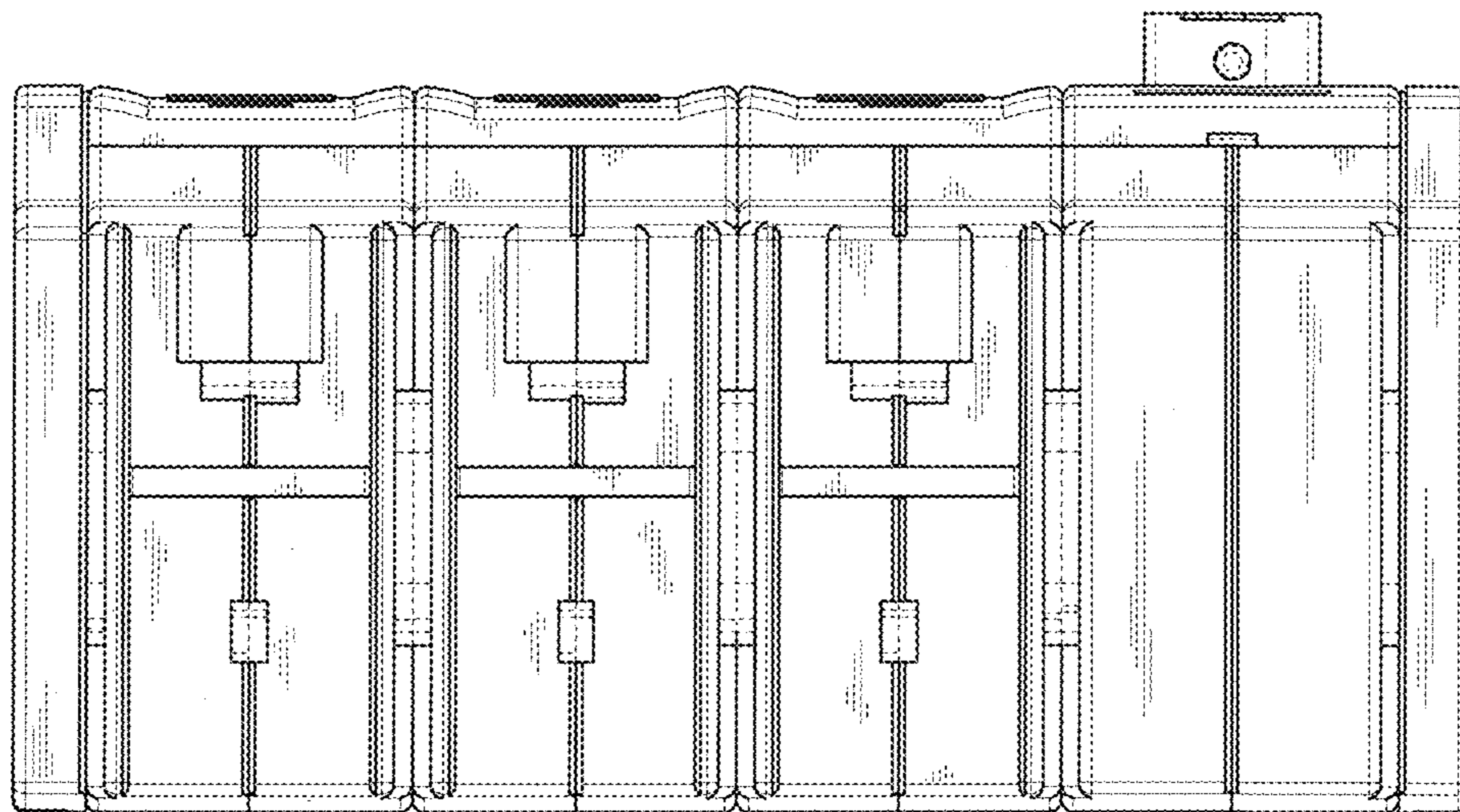


FIG.7

