



US00D737220S

(12) **United States Design Patent**
Andersson et al.

(10) **Patent No.:** **US D737,220 S**

(45) **Date of Patent:** **** Aug. 25, 2015**

(54) **SWITCHING DEVICE**

(56) **References Cited**

(71) Applicant: **Siemens Aktiengesellschaft**, München (DE)

U.S. PATENT DOCUMENTS

(72) Inventors: **Jan Andersson**, Erlangen (DE); **Tobias Reese**, Bamberg (DE); **Christoph Tomczak**, Erlangen (DE)

5,424,900 A *	6/1995	Kiiskinen et al.	361/116
D480,364 S *	10/2003	Bluemel	D13/159
D519,086 S *	4/2006	Bluemel	D13/159
D571,303 S *	6/2008	Jokiniemi et al.	D13/158
D642,991 S *	8/2011	Mattlar et al.	D13/158
D653,624 S *	2/2012	Mattlar et al.	D13/158
D654,441 S *	2/2012	Mattlar et al.	D13/158
D654,878 S *	2/2012	Mattlar et al.	D13/158
D658,134 S *	4/2012	Jokiniemi et al.	D13/158
D679,663 S *	4/2013	Mattlar et al.	D13/158
D695,229 S *	12/2013	Ran et al.	D13/158
D695,230 S *	12/2013	Zhang et al.	D13/158
2010/0307895 A1 *	12/2010	Park et al.	200/237

(73) Assignee: **SIEMENS AKTIENGESELLSCHAFT**, MÜNCHEN (DE)

* cited by examiner

(**) Term: **14 Years**

Primary Examiner — Thomas Johannes

Assistant Examiner — Shawn T Gingrich

(21) Appl. No.: **29/482,521**

(74) *Attorney, Agent, or Firm* — Henry M. Feiereisen LLC.

(22) Filed: **Feb. 19, 2014**

(57) **CLAIM**

The ornamental design for the switching device, as shown and described.

(30) **Foreign Application Priority Data**

DESCRIPTION

Aug. 20, 2013 (EP) 001381305

(51) **LOC (10) Cl.** **13-03**

(52) **U.S. Cl.**
USPC **D13/158**

(58) **Field of Classification Search**
USPC D13/123, 147, 151, 158–177, 184;
200/43, 295, 296, 308, 310, 314, 329,
200/340, 1 R, 5 A, 5 R, 6 R; 439/491, 535;
335/202, 251, 262

FIG. 1 is a front elevational view of a switching device showing my new design;
FIG. 2 is a rear elevational view thereof;
FIG. 3 is a top elevational view thereof;
FIG. 4 is a bottom elevational view thereof;
FIG. 5 is a right side elevational view thereof;
FIG. 6 is a left side elevational view thereof; and,
FIG. 7 is a front right side perspective view thereof.
The broken line portion of the figure drawings is included to show unclaimed subject matter only and forms no part of the claimed design.

See application file for complete search history.

1 Claim, 7 Drawing Sheets

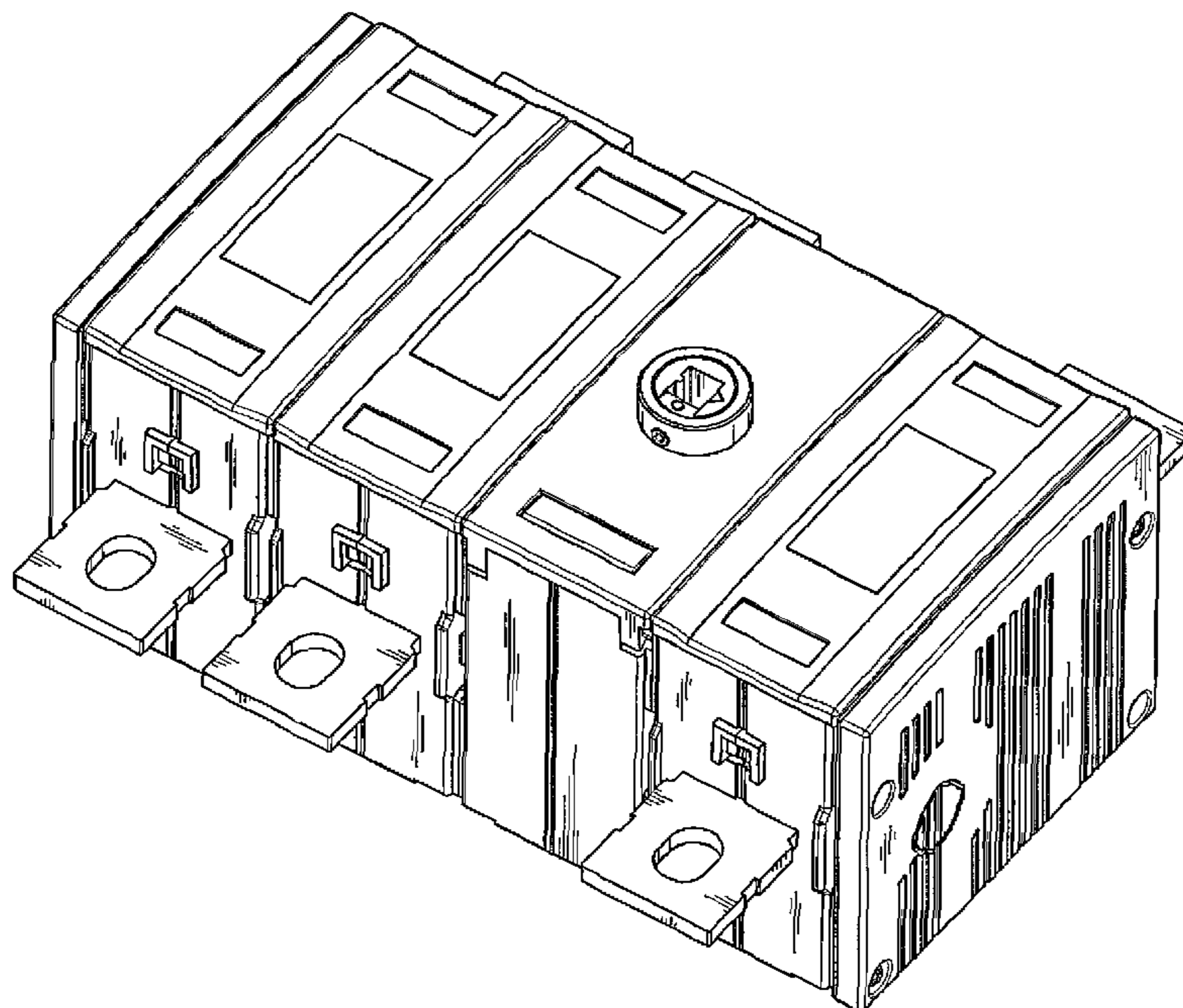


FIG 1

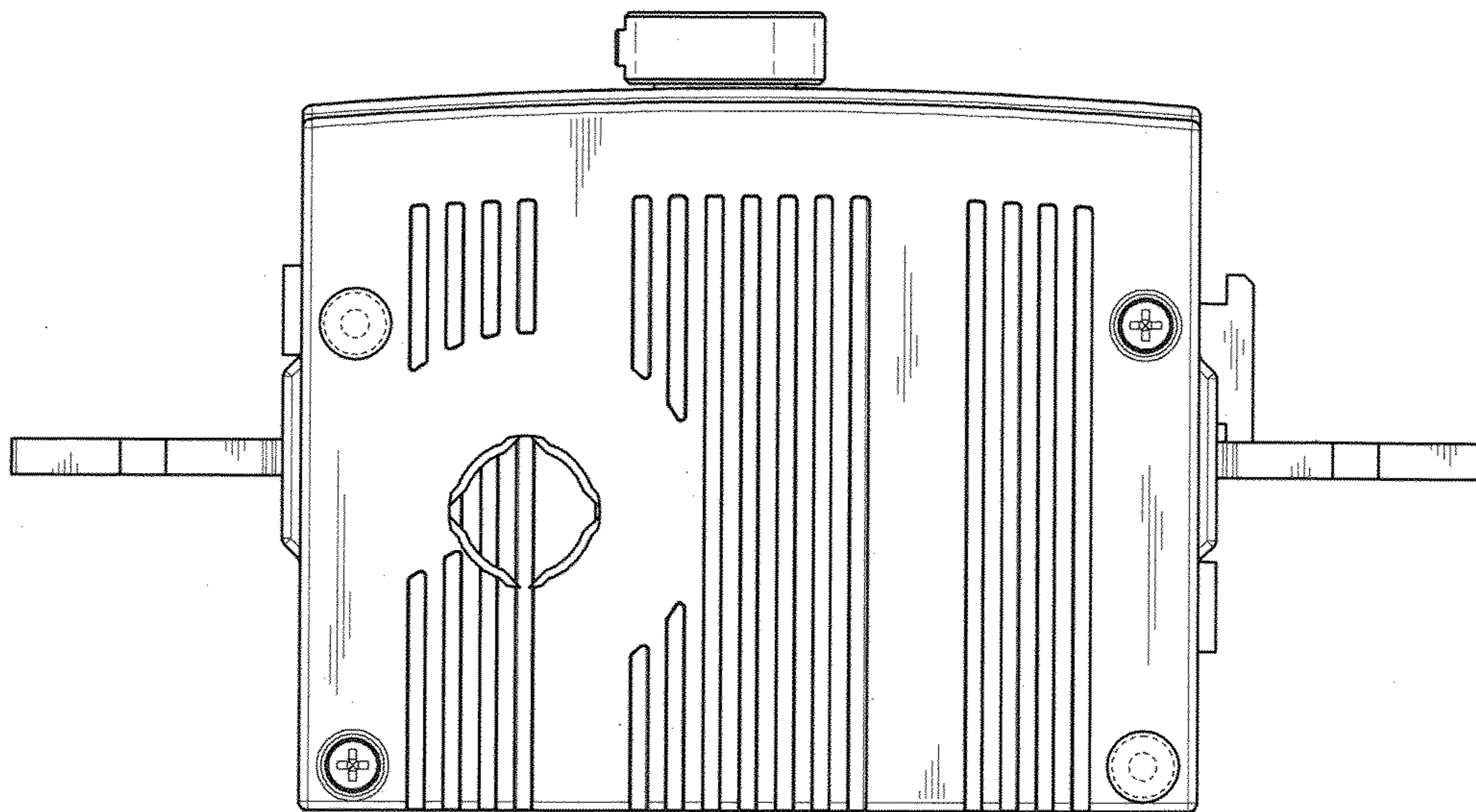


FIG 2

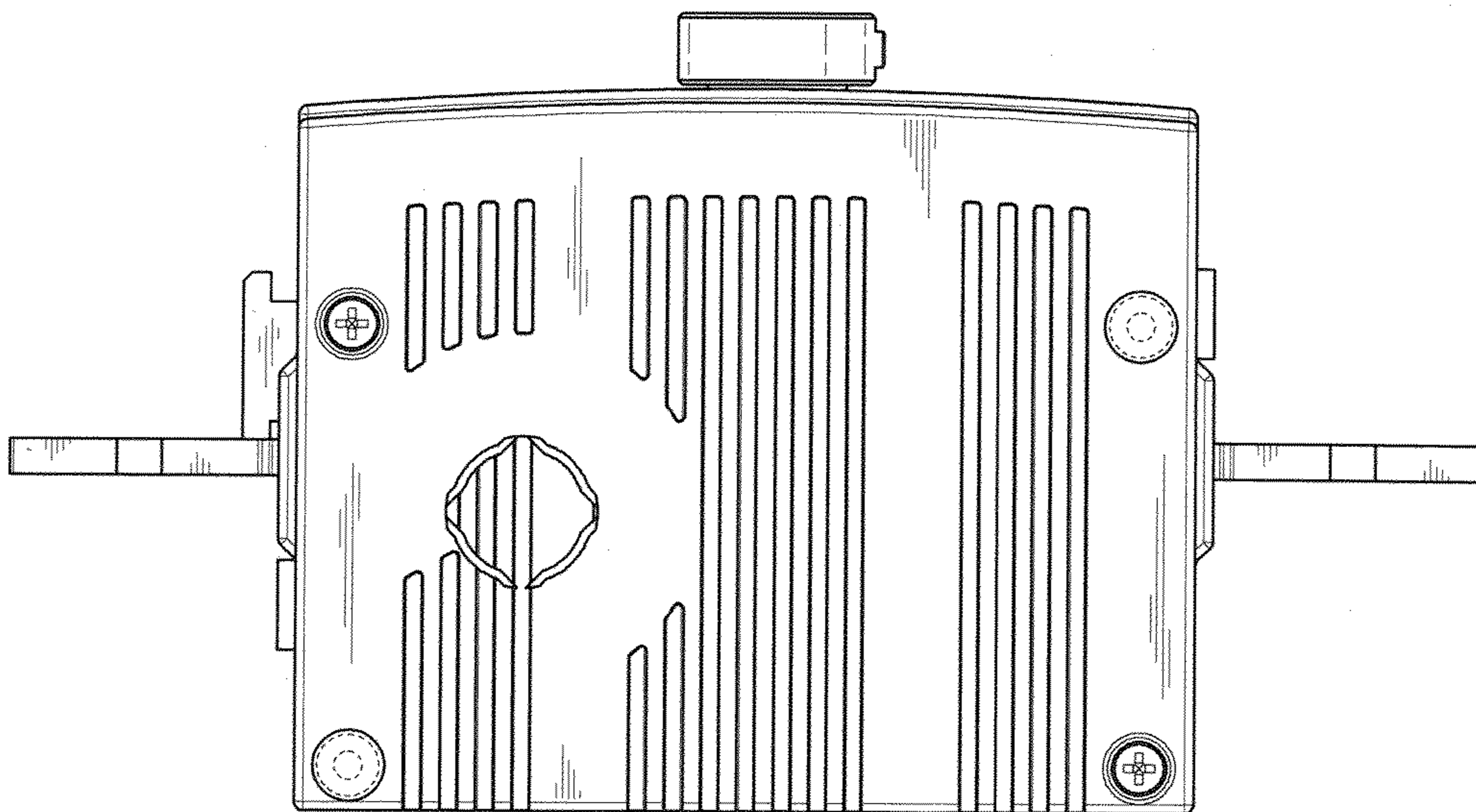


FIG 3

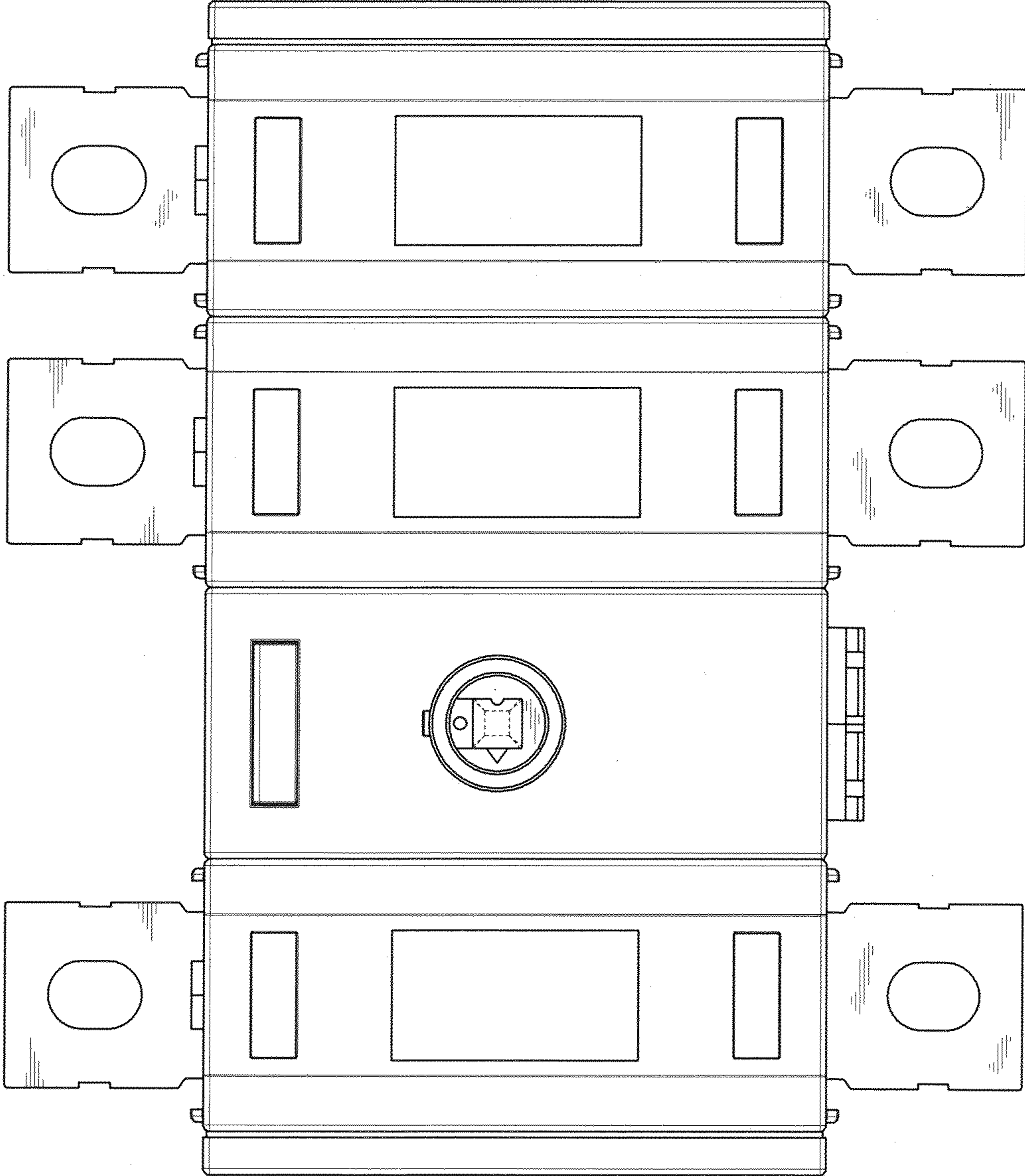


FIG 4

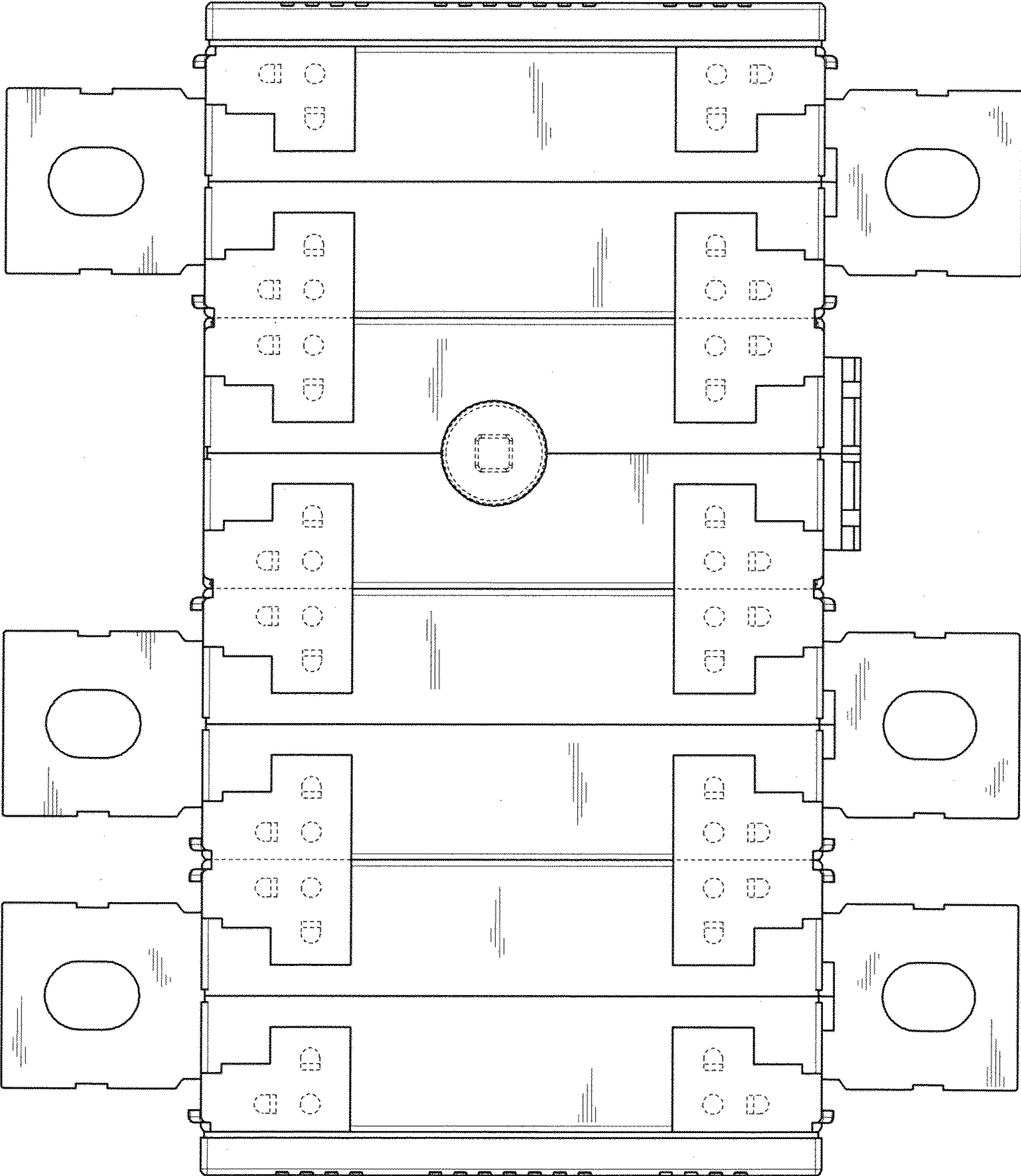


FIG 5

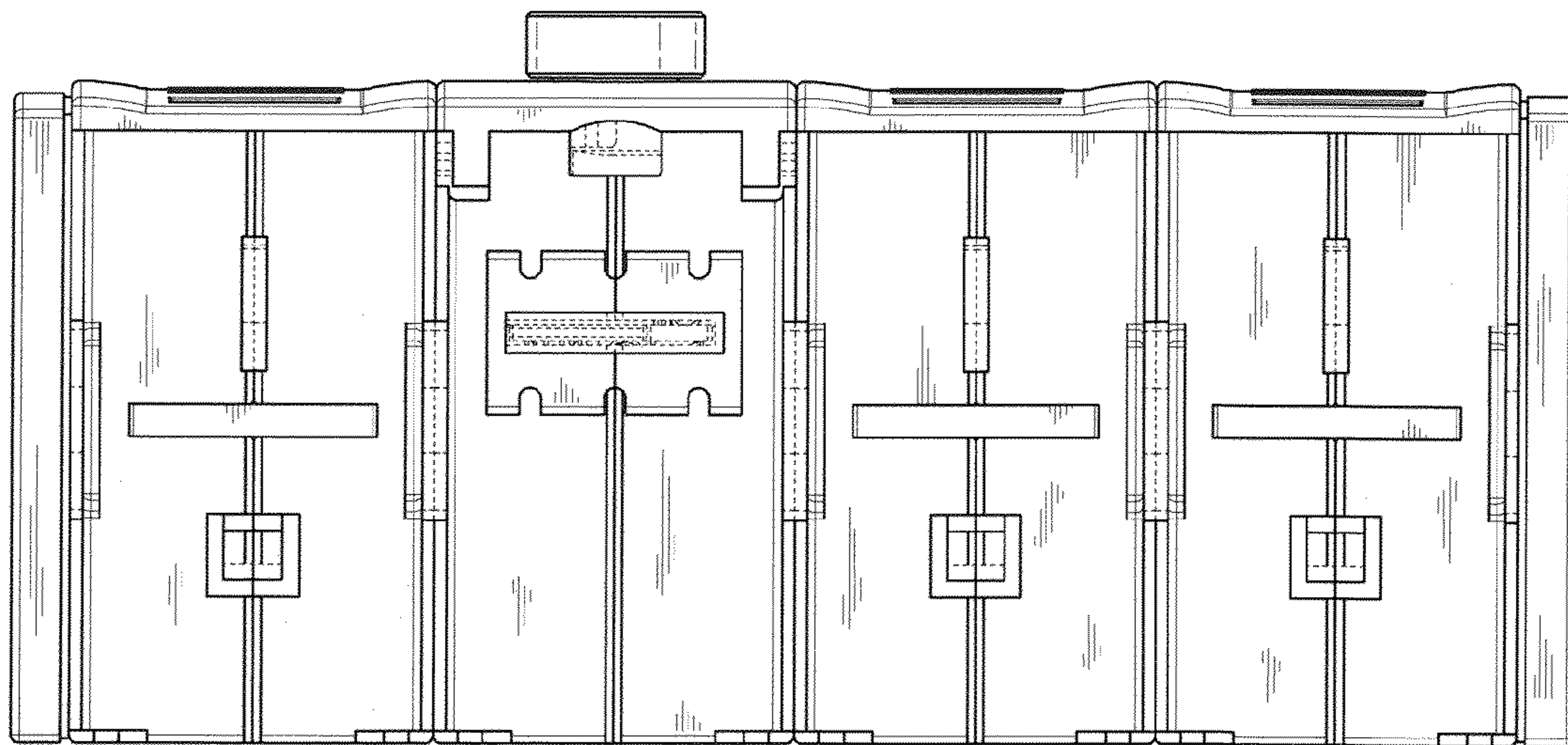


FIG 6

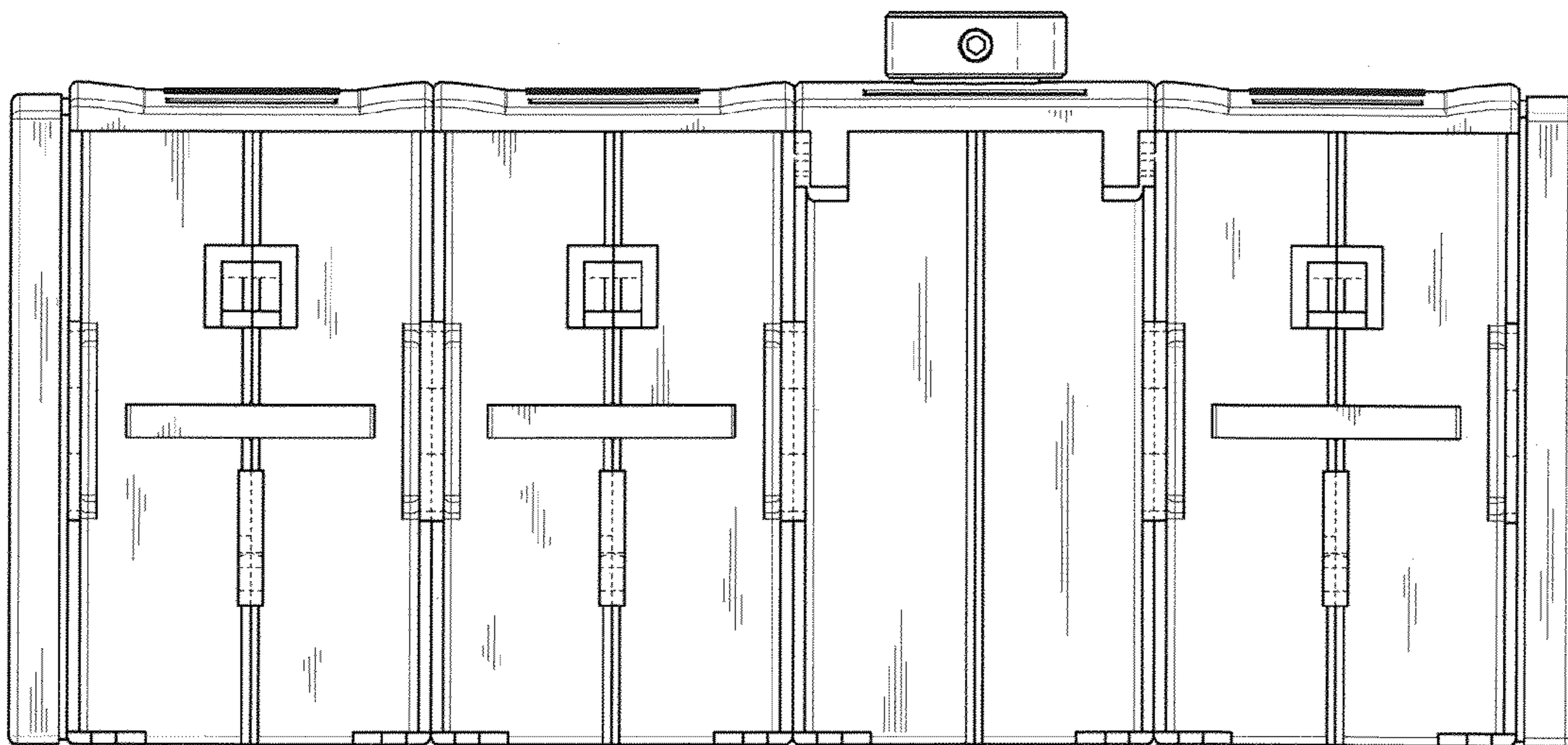


FIG.7

