



US00D737219S

(12) **United States Design Patent**
Mangold

(10) **Patent No.:** **US D737,219 S**

(45) **Date of Patent:** **** Aug. 25, 2015**

(54) **DOOR CONTACT SWITCH**

(71) Applicant: **STEGO-Holding GmbH**, Schwaebisch Hall (DE)

(72) Inventor: **Elmar Mangold**, Unterschneidheim (DE)

(73) Assignee: **Stego-Holding GmbH**, Schwaebisch Hall (DE)

(**) Term: **14 Years**

(21) Appl. No.: **29/472,511**

(22) Filed: **Nov. 13, 2013**

(30) **Foreign Application Priority Data**

May 14, 2013 (EM) 2236802

(51) **LOC (10) Cl.** **13-03**

(52) **U.S. Cl.**
USPC **D13/158**

(58) **Field of Classification Search**
USPC D13/110, 123, 146, 147, 151, 153, 154,
D13/158-164, 171, 174, 184, 199;
D14/240, 356-358, 434; 200/43.14,
200/50.01, 50.21-50.23; 361/42, 44, 50,
361/71, 115, 608, 622, 627, 628, 634, 690;
439/532, 536, 540.1, 541.5, 613, 614,
439/884, 894, 895

CPC H01H 13/705; H01H 13/88; H01H
2011/0087; H01H 2205/016; H01H 2221/05;
H01H 2227/016; H01H 2227/026; H01H
2229/02; H01H 2229/036; H01H 13/04;
H01H 13/48; H01H 1/58; H01H 13/183;
H01T 13/34; H02H 9/02

See application file for complete search history.

(56) **References Cited**

U.S. PATENT DOCUMENTS

D392,257 S * 3/1998 Lecheler et al. D13/184
D425,017 S * 5/2000 Leung D13/110

(Continued)

FOREIGN PATENT DOCUMENTS

DE 1965803 U 8/1967
DE 3306208 A1 8/1984

(Continued)

OTHER PUBLICATIONS

Office Action for German Patent Application No. 10 2013 103 451.9,
dated Oct. 8, 2013, 7 pages.

(Continued)

Primary Examiner — Thomas Johannes

Assistant Examiner — Shawn T Gingrich

(74) *Attorney, Agent, or Firm* — Westman, Champlin &
Koehler, P.A.

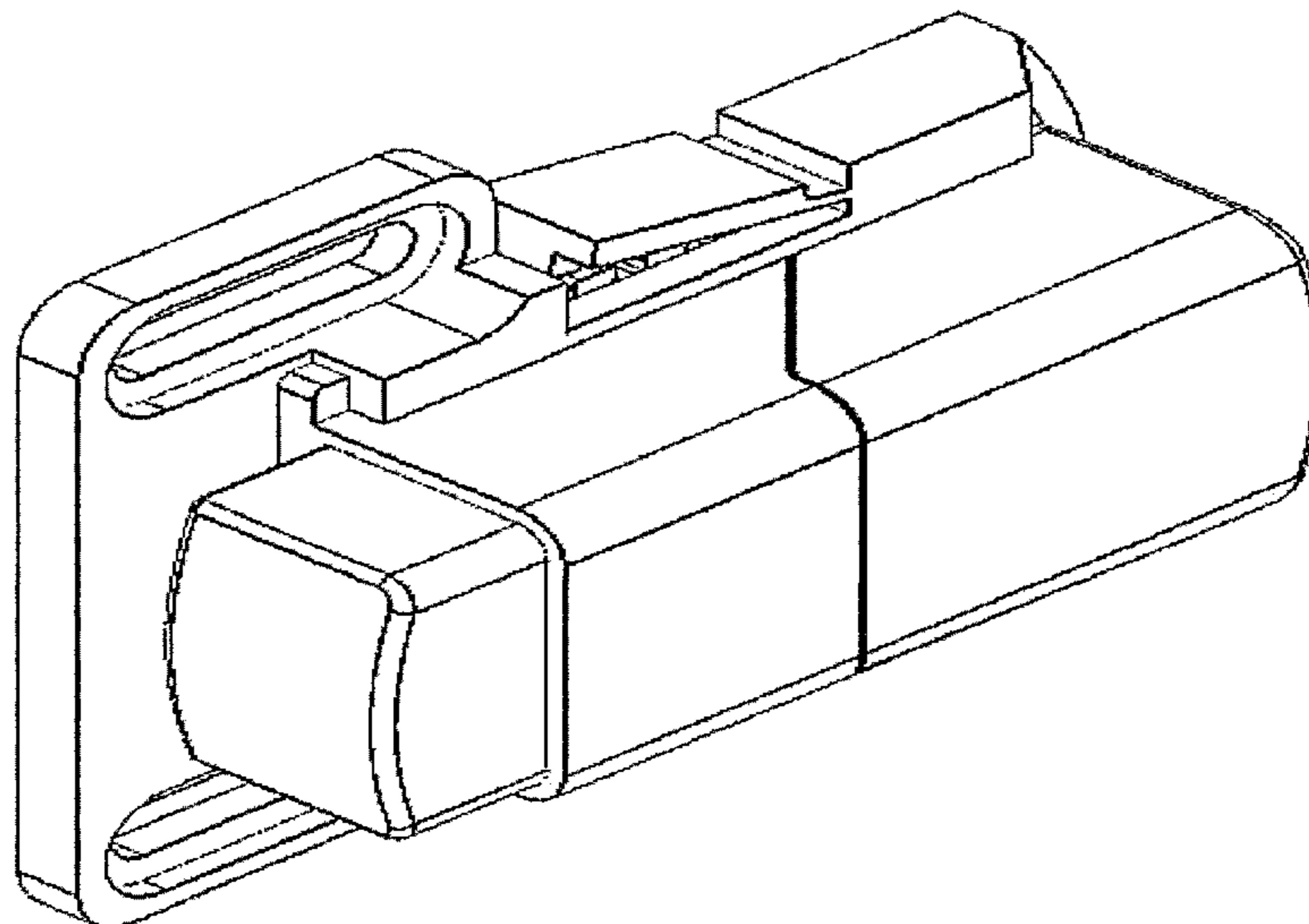
(57) **CLAIM**

The ornamental design for a door contact switch, as shown
and described.

DESCRIPTION

FIG. 1 is a perspective view of the door contact switch.
FIG. 2 is a front plan view of the door contact switch.
FIG. 3 is a rear plan side view of the door contact switch.
FIG. 4 is a top side view of the door contact switch.
FIG. 5 is a bottom view of the door contact switch.
FIG. 6 is a left side view of the door contact switch; and,
FIG. 7 is a right side view of the door contact switch.
The broken line portion of the figure drawings is included to
show unclaimed subject matter only and forms no part of the
claimed design.

1 Claim, 7 Drawing Sheets



(56)

References Cited

U.S. PATENT DOCUMENTS

7,154,058 B2 * 12/2006 Kim et al. 200/302.1
D573,985 S * 7/2008 Jeong et al. D14/240
D631,859 S * 2/2011 Wang D13/184
D700,146 S * 2/2014 Becker D13/159
2007/0103887 A1 * 5/2007 Bleier et al. 362/92
2010/0276267 A1 11/2010 King

FOREIGN PATENT DOCUMENTS

DE 8629944 U 1/1987
DE 9205151 U1 8/1992

DE 10244371 C1 11/2003
DE 102010046752 A1 3/2012
DE 10 2013 103 451 A1 6/2014
EP 2045520 A2 8/2009
FR 2842492 A1 1/2004
WO 2014/076106 A1 5/2014

OTHER PUBLICATIONS

International Search Report and Written Opinion dated Apr. 3, 2014
for corresponding International Application No. PCT/EP2013/
073669 filed Nov. 13, 2013, 10 pages.

* cited by examiner

Figure 1

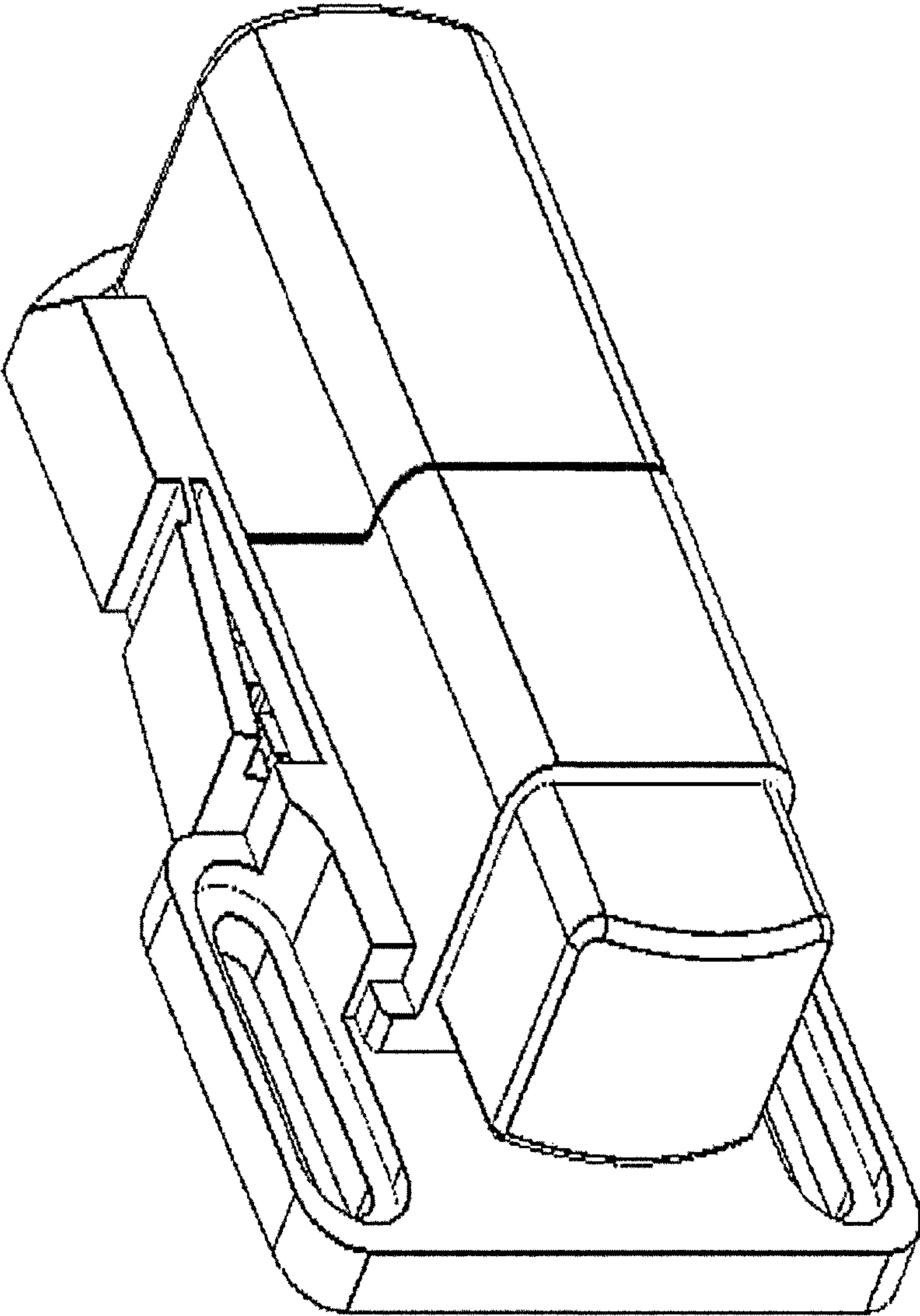


FIGURE 2

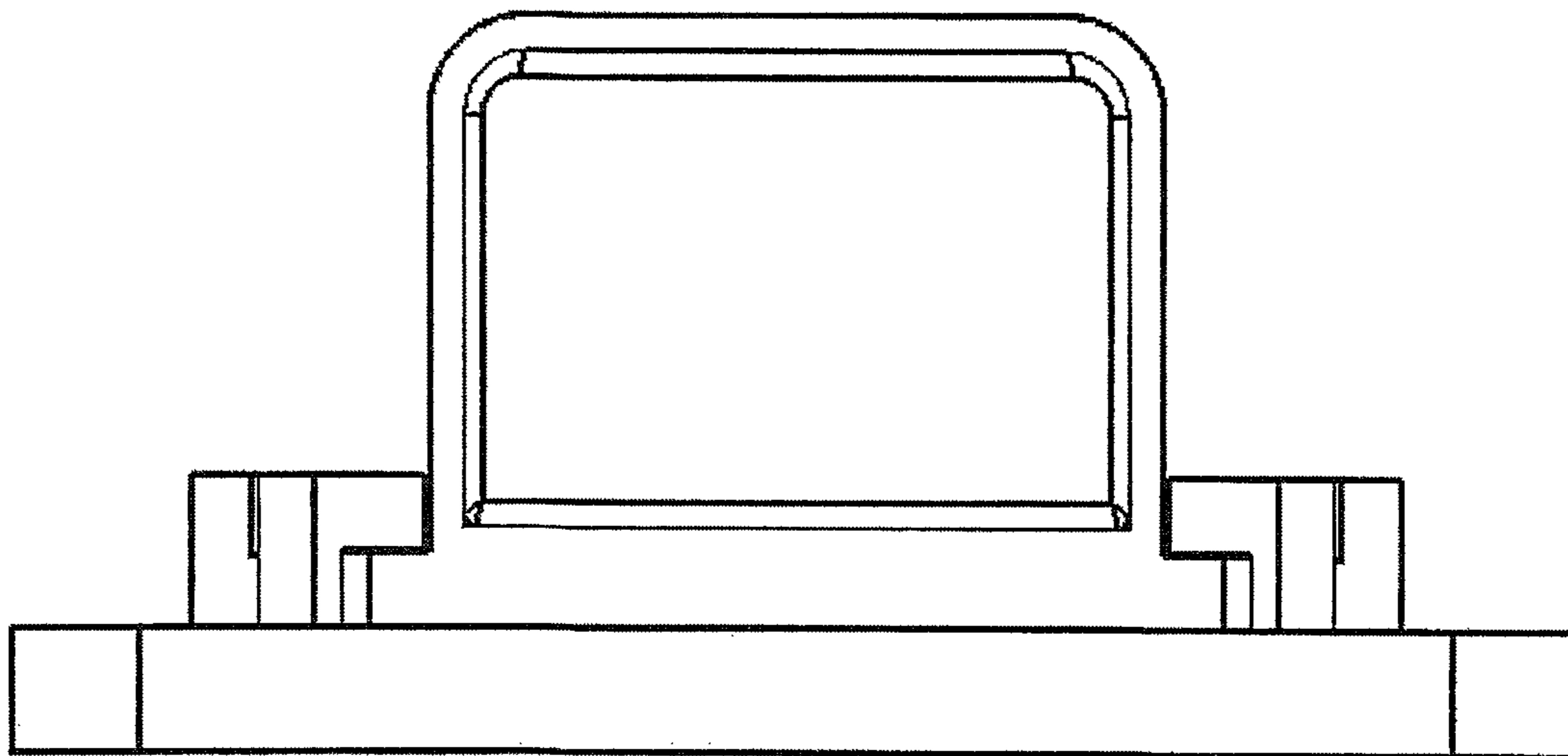


Figure 3

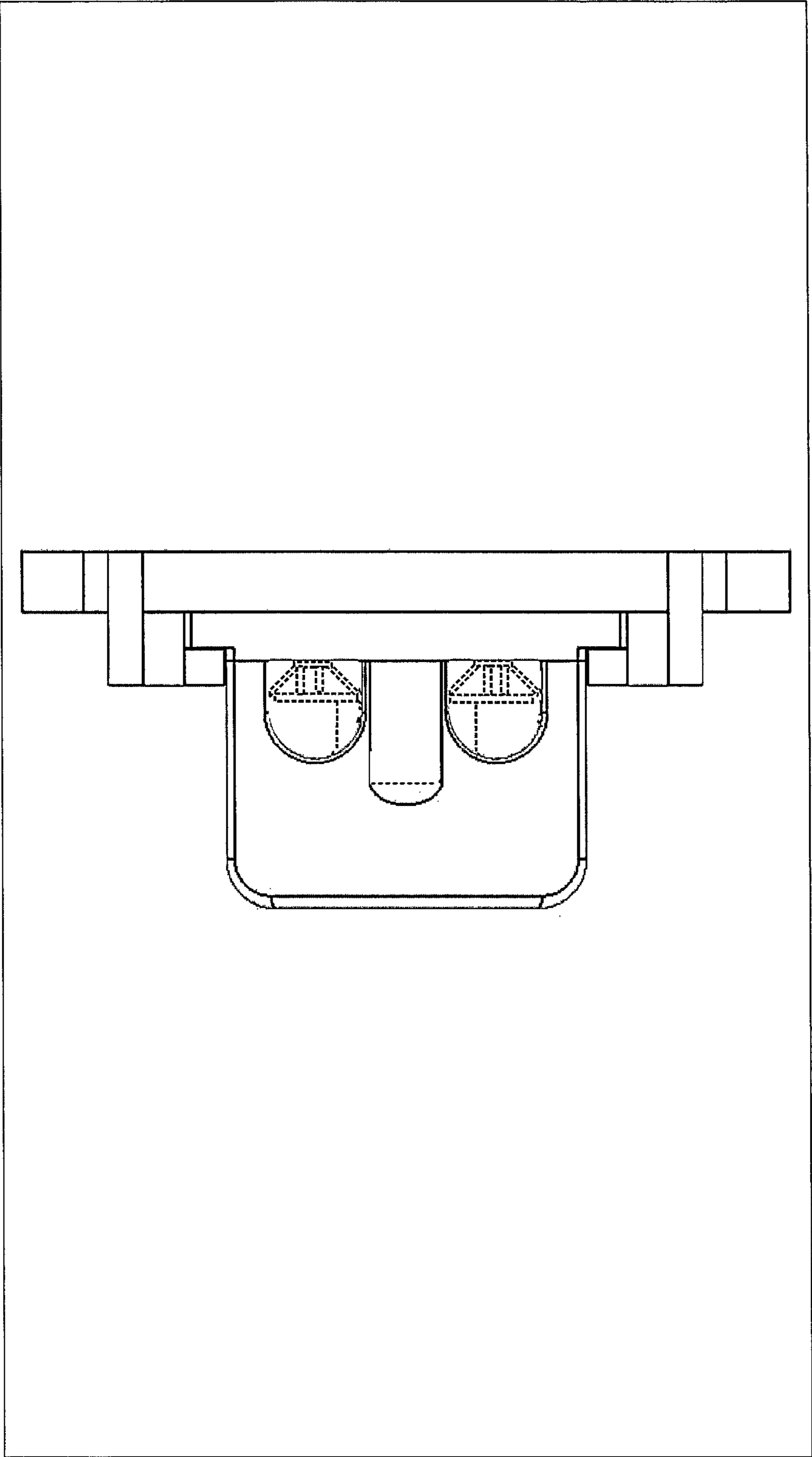


FIGURE 4

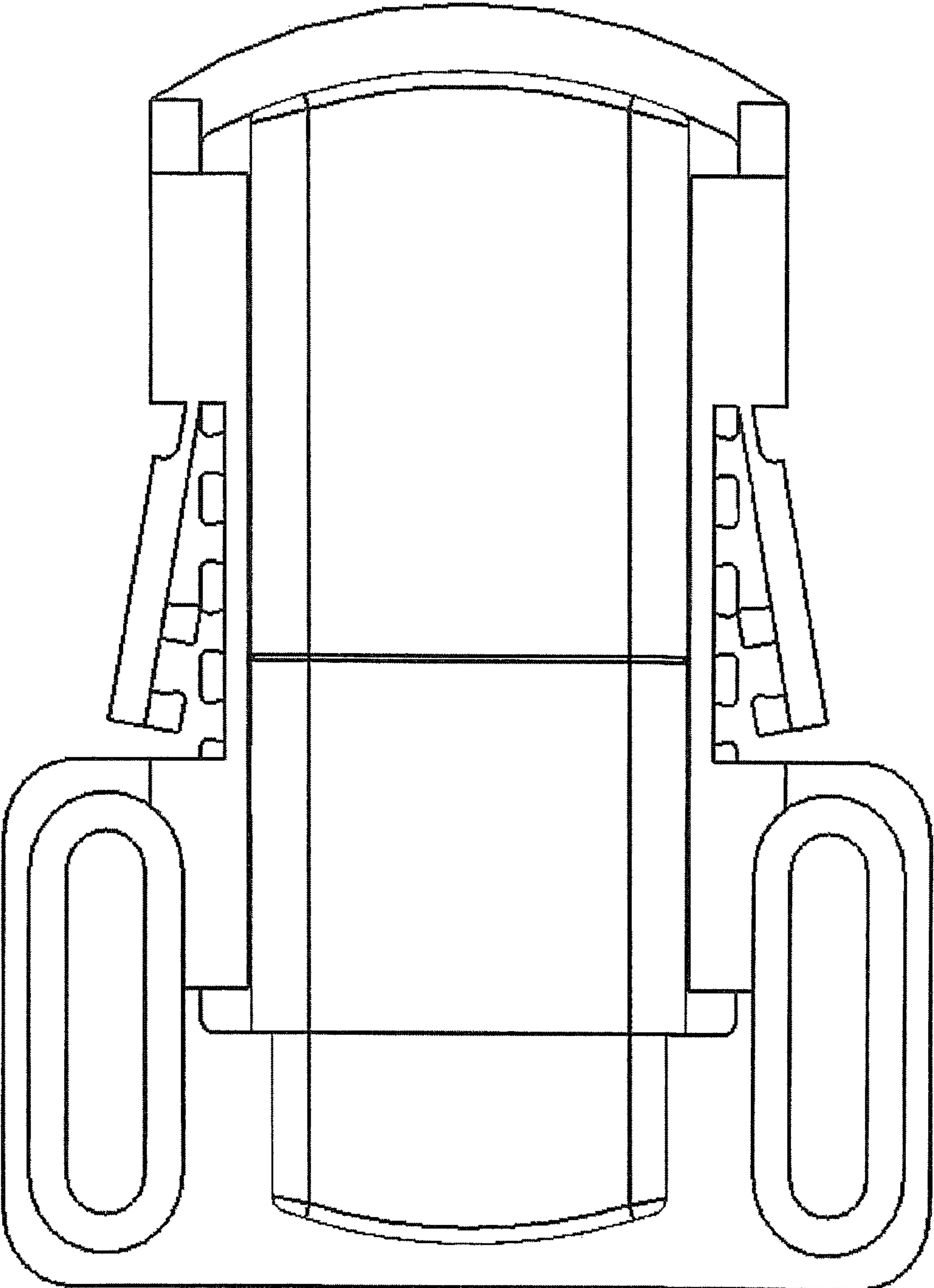


Figure 5

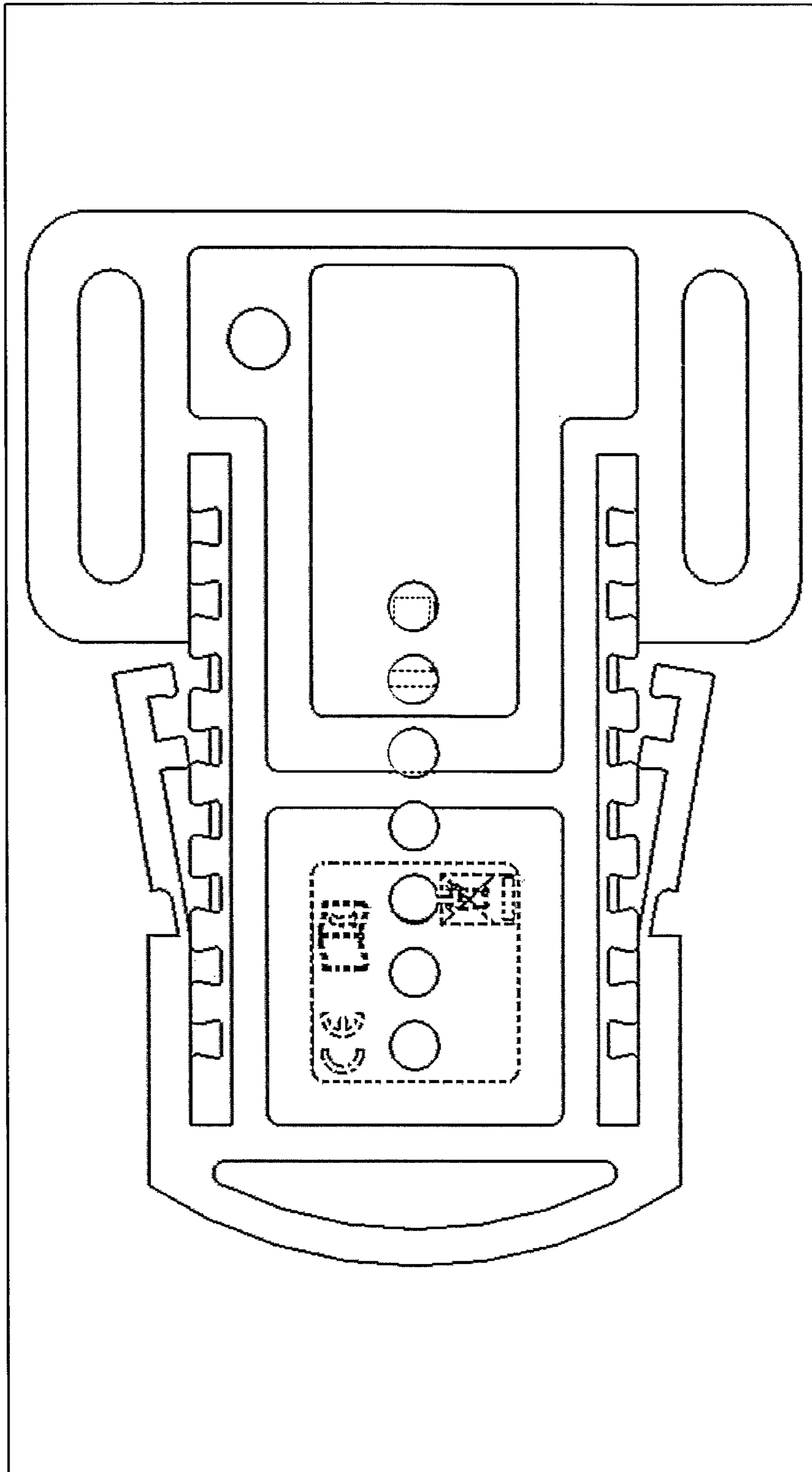


Figure 6

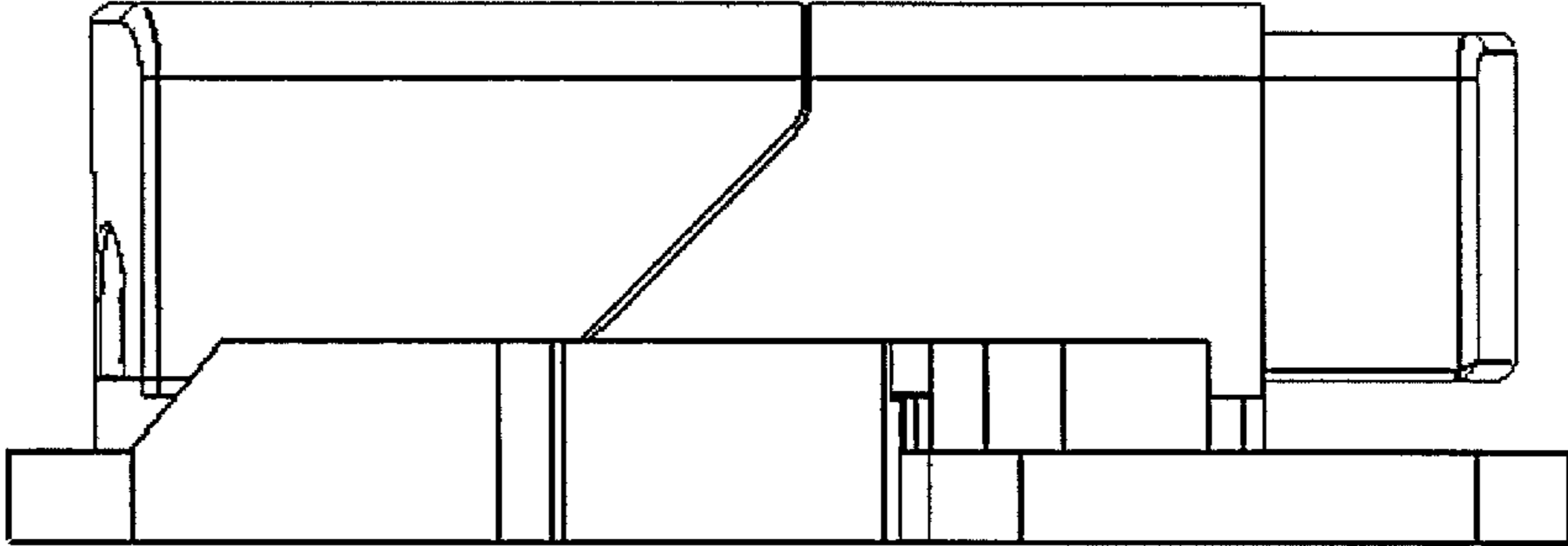


Figure 7

