



US00D737218S

(12) **United States Design Patent**
Yoshida et al.

(10) **Patent No.:** **US D737,218 S**

(45) **Date of Patent:** **** Aug. 25, 2015**

(54) **CONTACT FOR AN ELECTRICAL CONNECTOR**

(71) Applicant: **Molex Incorporated**, Lisle, IL (US)

(72) Inventors: **Masahiko Yoshida**, Yamato (JP);
Yasuhiro Ono, Yamato (JP); **Koichiro Tanaka**, Yamato (JP); **Toshiyuki Someya**, Yamato (JP)

(73) Assignee: **Molex Incorporated**, Lisle, IL (US)

(**) Term: **14 Years**

(21) Appl. No.: **29/447,771**

(22) Filed: **Mar. 6, 2013**

(30) **Foreign Application Priority Data**

Sep. 7, 2012 (JP) 2012-021659

(51) **LOC (10) Cl.** **13-03**

(52) **U.S. Cl.**
USPC **D13/154**

(58) **Field of Classification Search**
USPC D13/147, 154, 184, 199
See application file for complete search history.

(56) **References Cited**

U.S. PATENT DOCUMENTS

D586,300	S	*	2/2009	Wang	D13/154
D601,971	S	*	10/2009	Chen et al.	D13/154
D631,846	S	*	2/2011	Truskett et al.	D13/154
D633,050	S	*	2/2011	Truskett et al.	D13/154
D641,324	S	*	7/2011	Svelnis et al.	D13/154
D683,705	S	*	6/2013	Katagiyama et al.	D13/154

* cited by examiner

Primary Examiner — Daniel Bui

(74) *Attorney, Agent, or Firm* — Timothy M. Morella

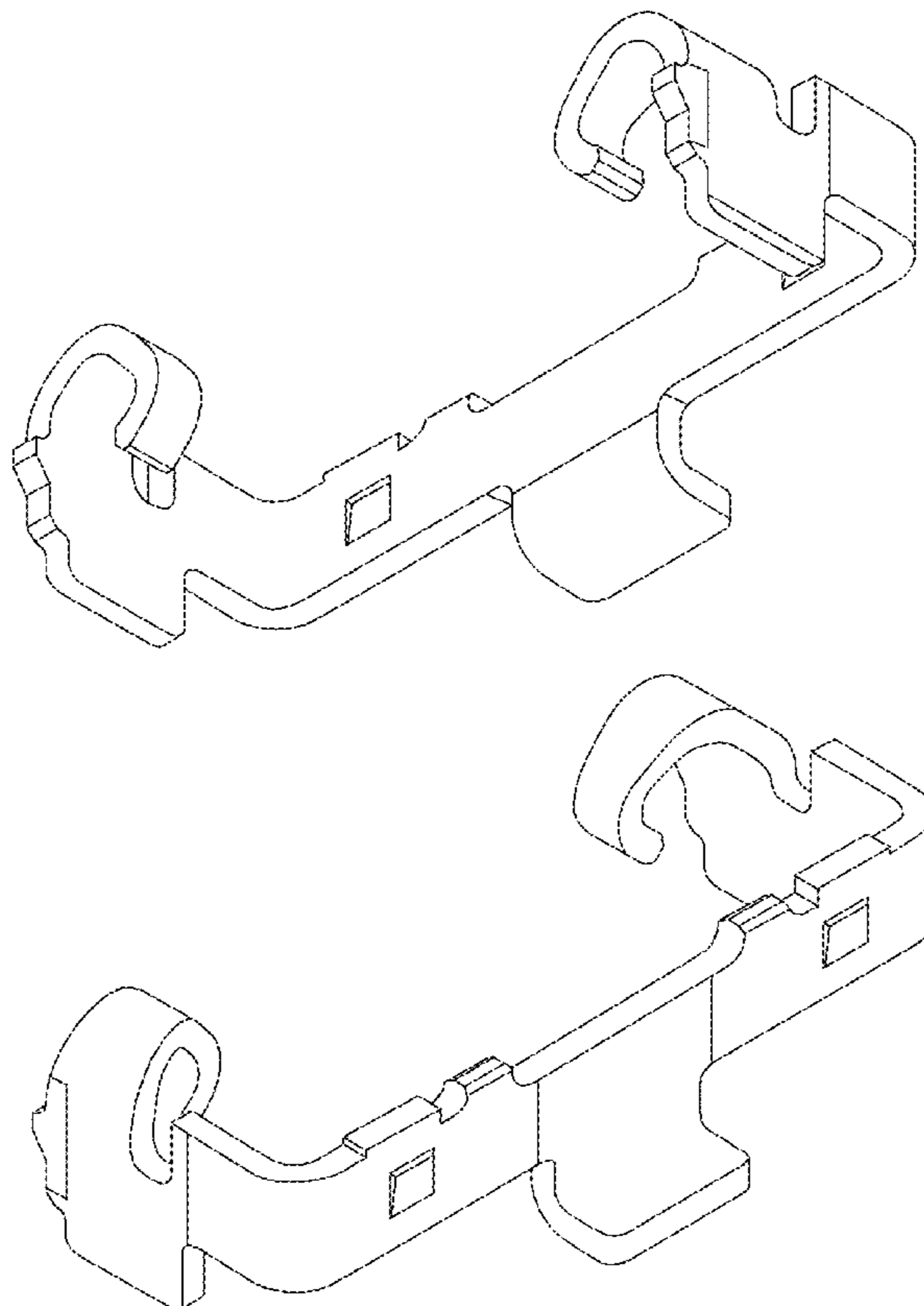
(57) **CLAIM**

The ornamental design for a contact for an electrical connector, as shown and described.

DESCRIPTION

FIG. 1 is a bottom perspective view of a contact for an electrical connector showing our new design;
FIG. 2 is a top perspective view thereof;
FIG. 3 is a top perspective view thereof, in use condition;
FIG. 4 is a bottom perspective view thereof;
FIG. 5 is a side elevation view thereof;
FIG. 6 is a top plan view thereof;
FIG. 7 is a bottom plan view thereof;
FIG. 8 is a front elevation view thereof; and,
FIG. 9 is a back elevation view thereof.
The broken line in the drawing views represents unclaimed environment only, and forms no part of the claimed design.

1 Claim, 3 Drawing Sheets



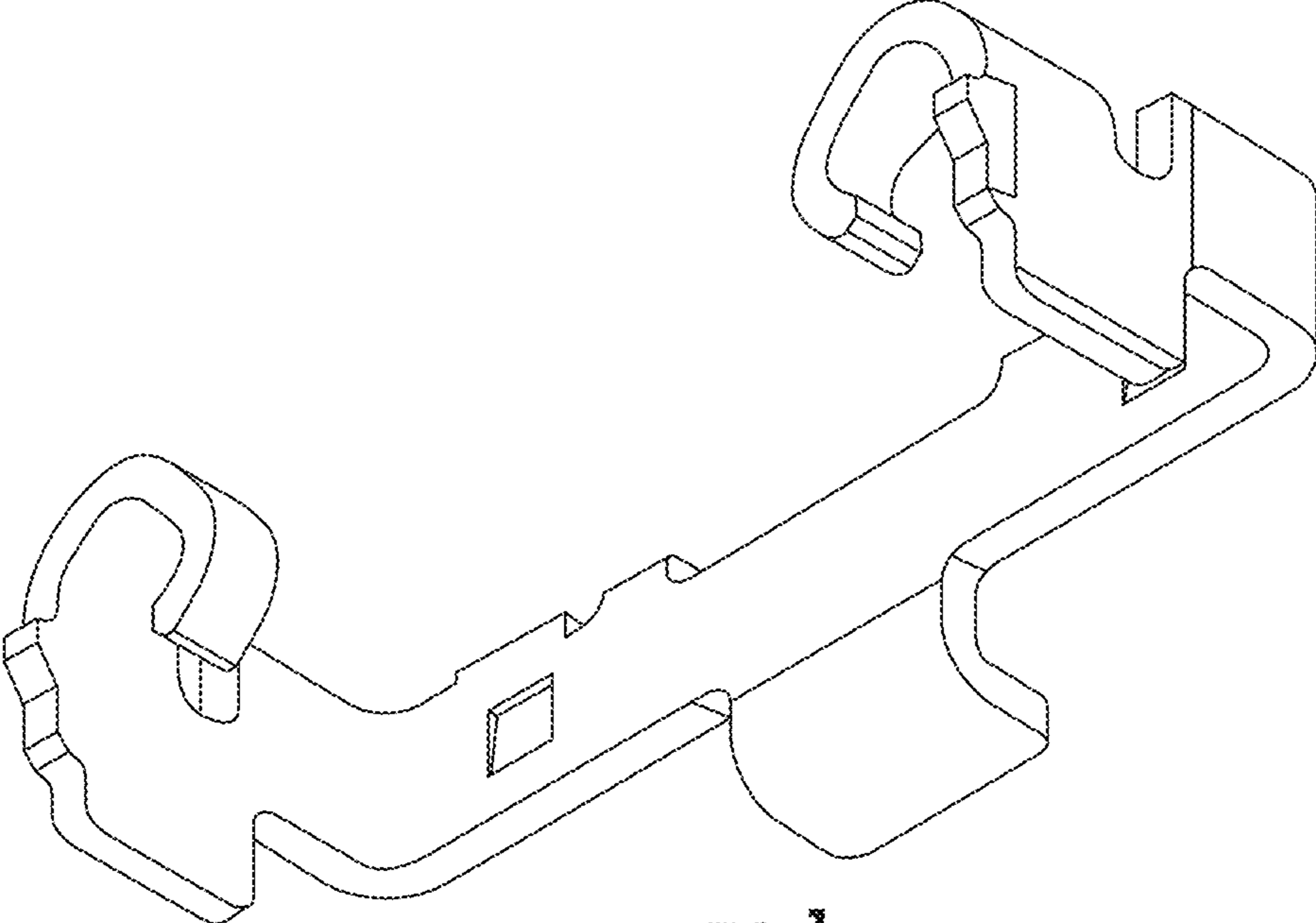


FIG. 1

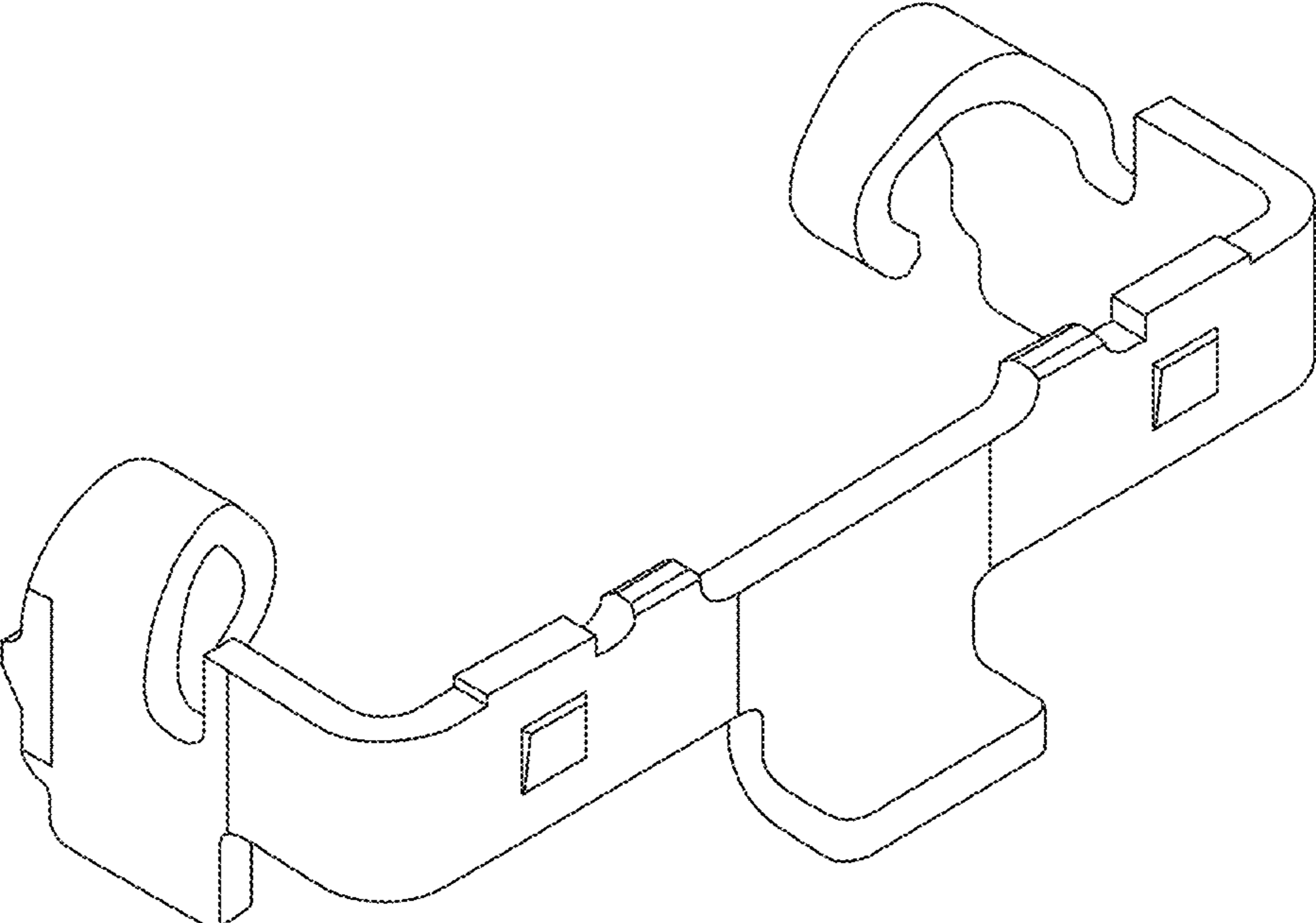


FIG. 2

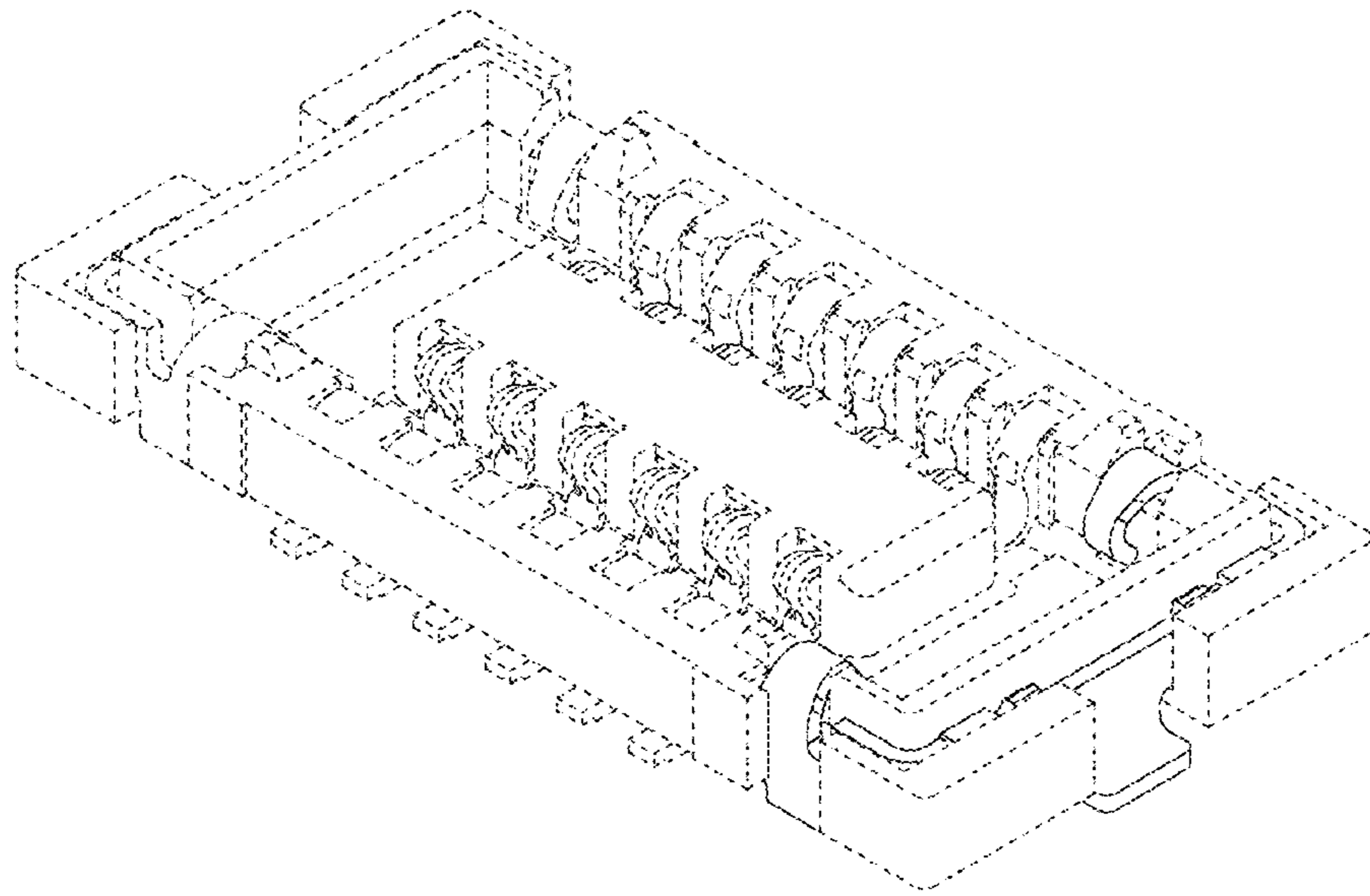


FIG. 3

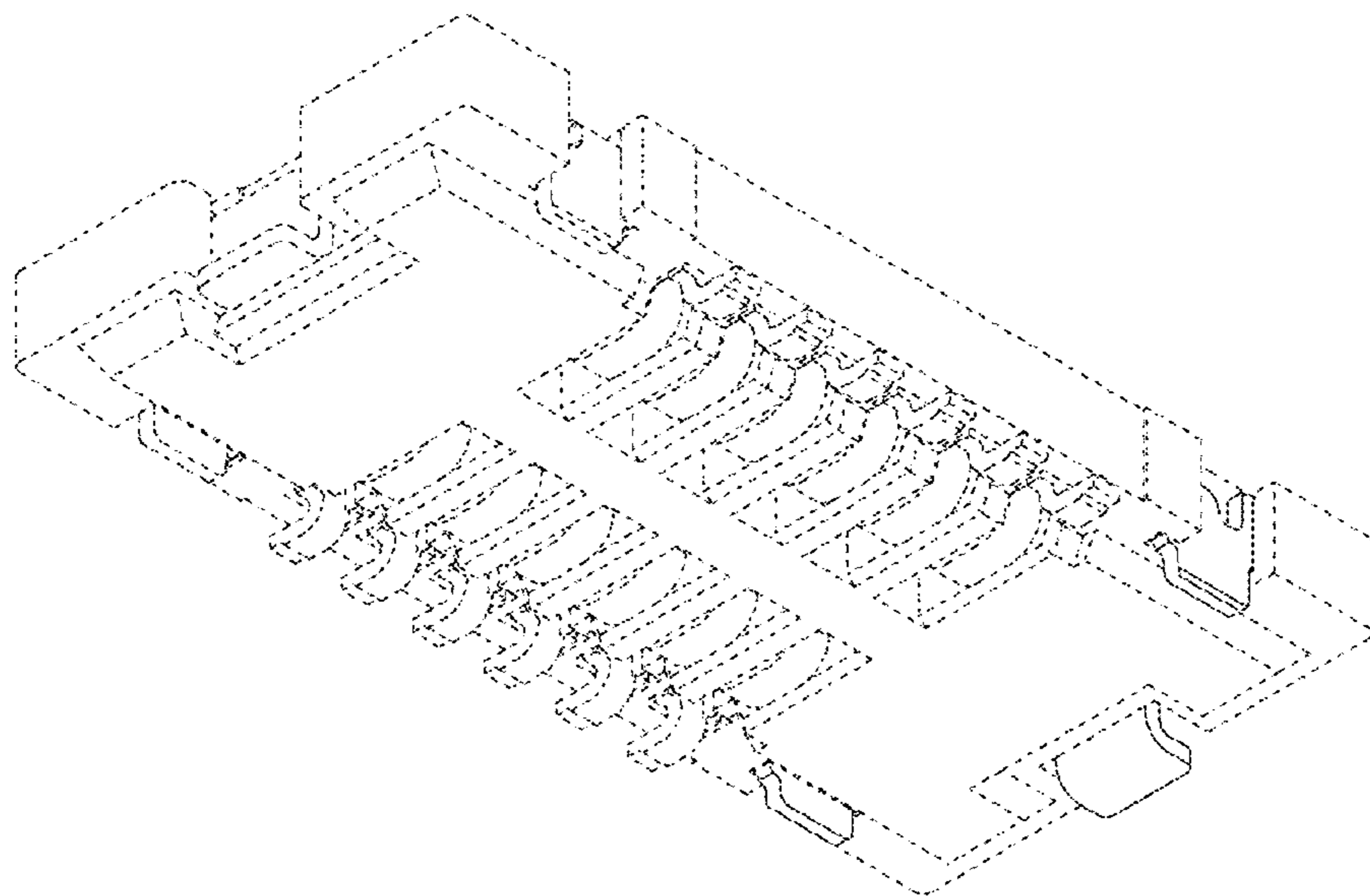


FIG. 4

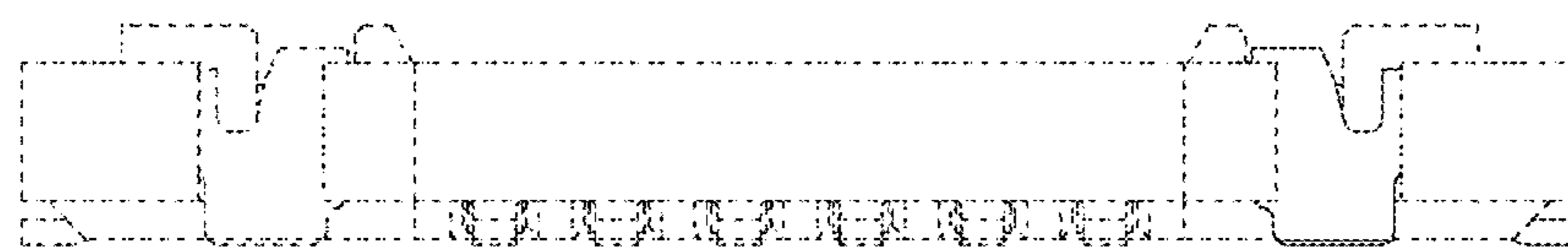


FIG. 5

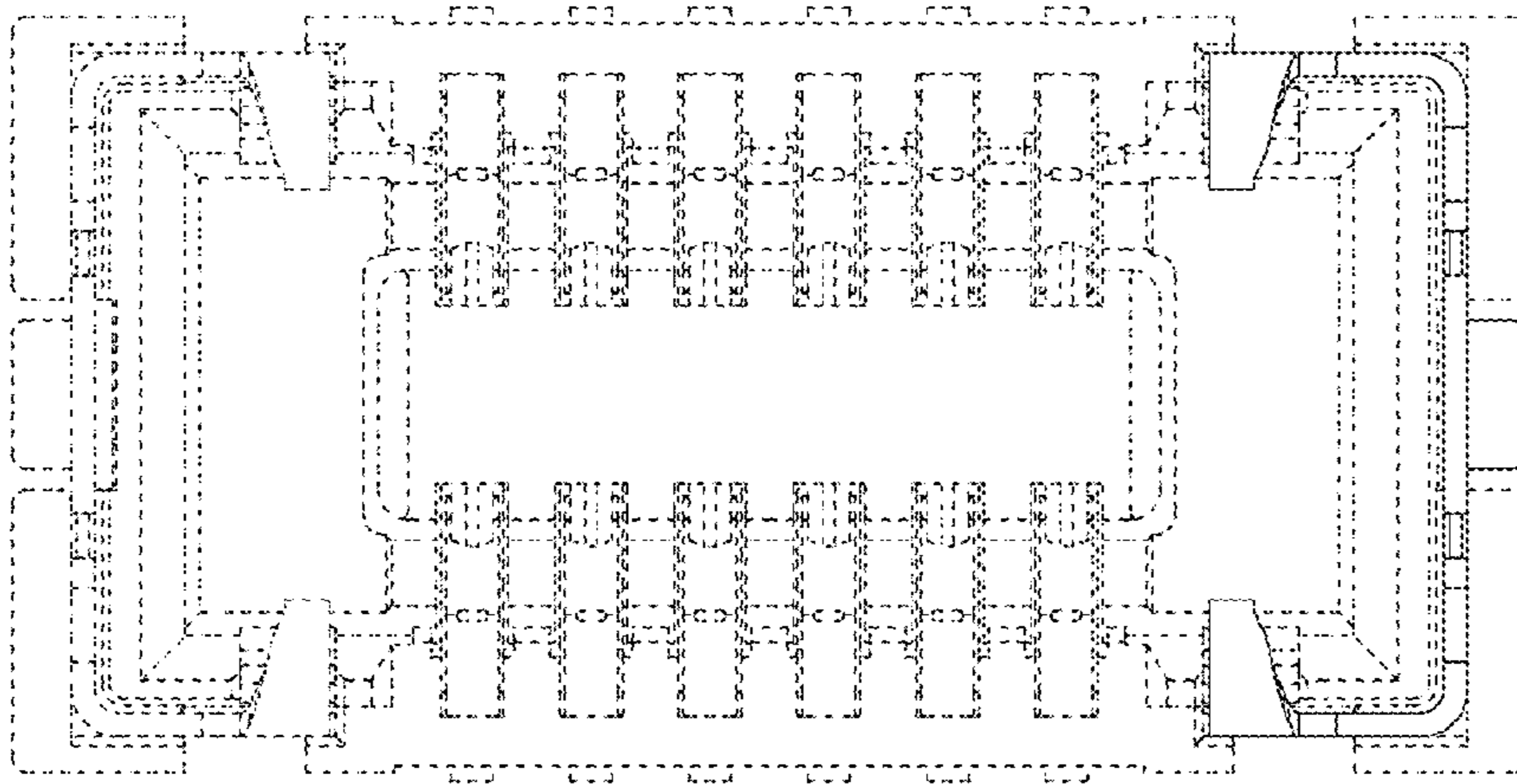


FIG. 6

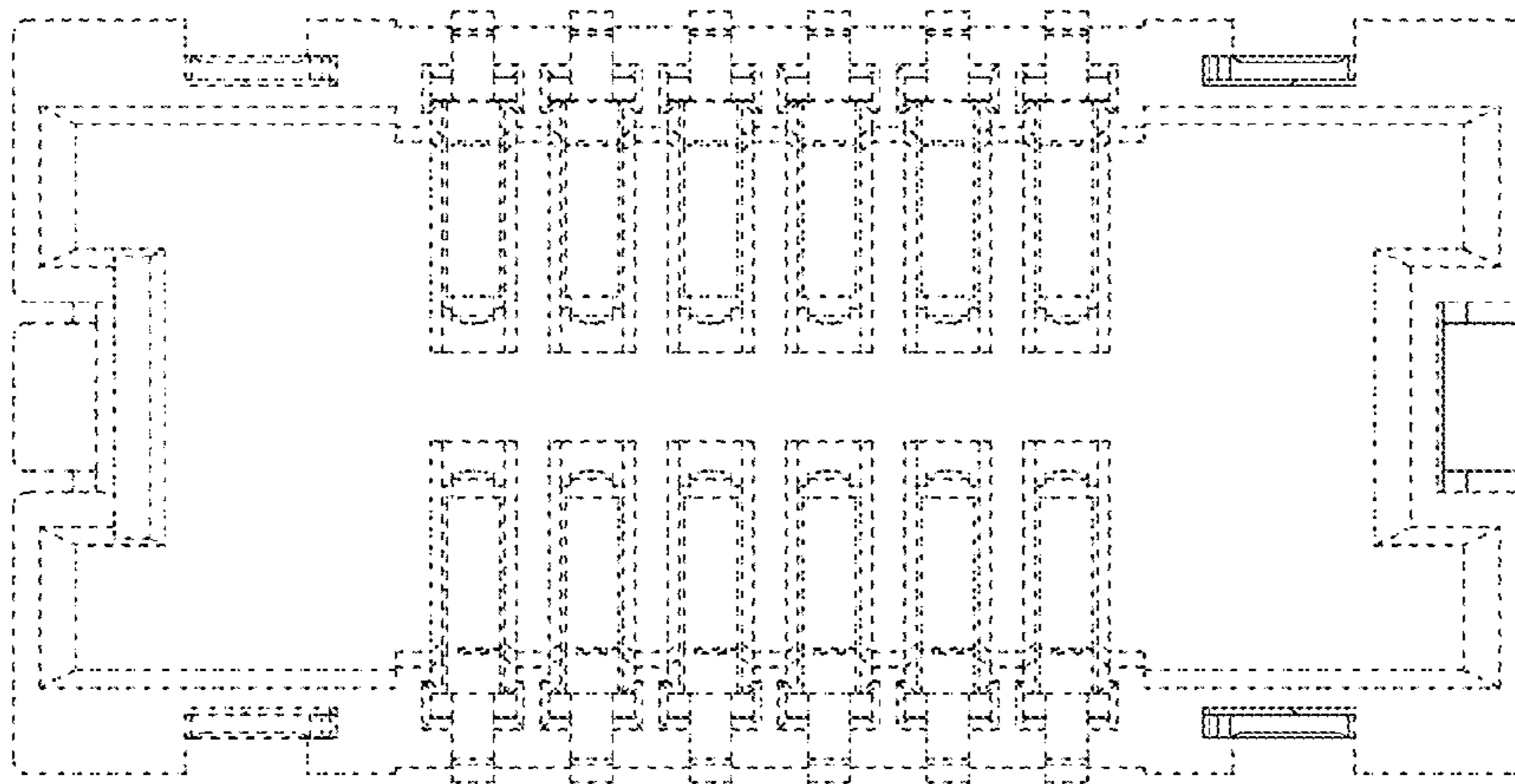


FIG. 7

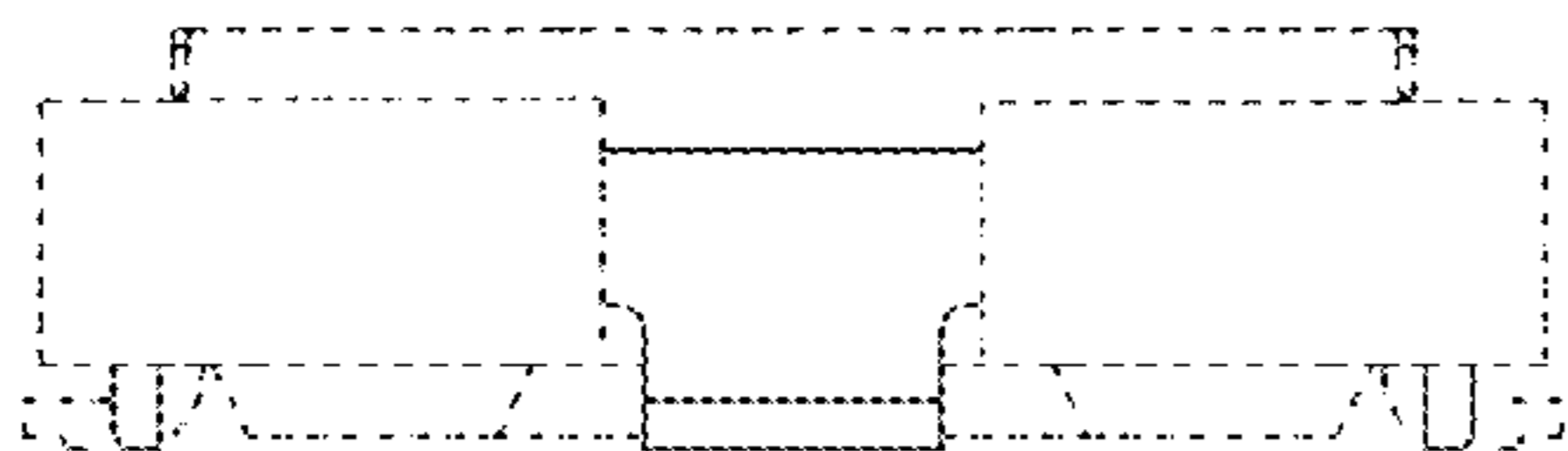


FIG. 8

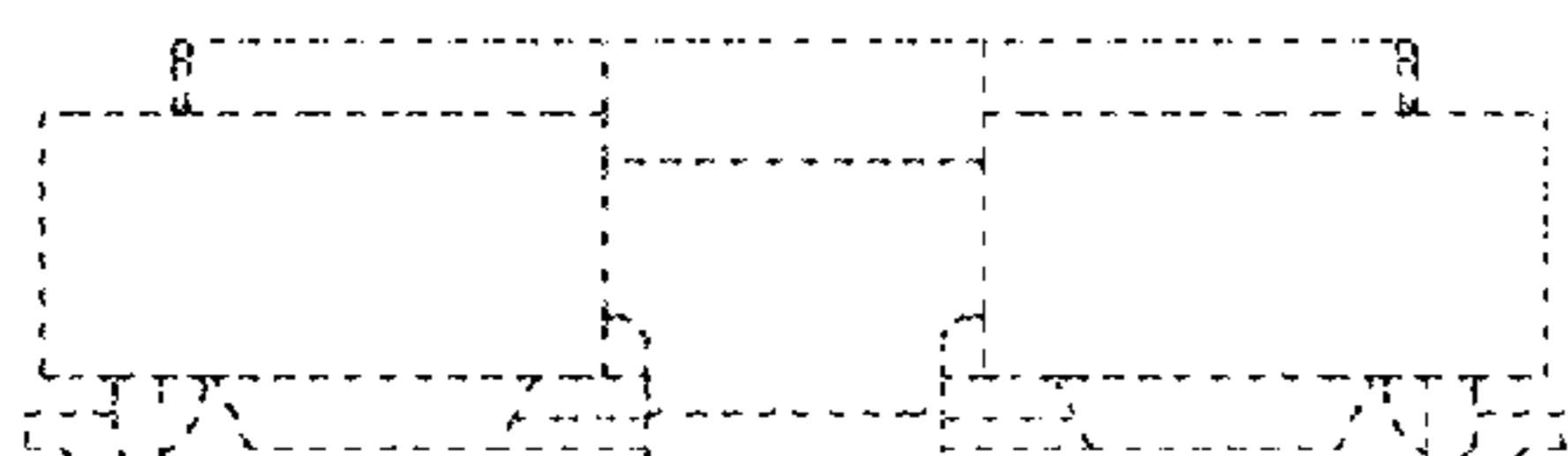


FIG. 9