



US00D737215S

(12) **United States Design Patent**
Mongold et al.

(10) **Patent No.:** **US D737,215 S**

(45) **Date of Patent:** **** Aug. 25, 2015**

(54) **ELECTRICAL CONNECTOR**

(71) Applicant: **Samtec, Inc.**, New Albany, IN (US)

(72) Inventors: **John Allen Mongold**, Middletown, PA (US); **Randall Eugene Musser**, Enola, PA (US)

(73) Assignee: **Samtec, Inc.**, New Albany, IN (US)

(**) Term: **14 Years**

(21) Appl. No.: **29/523,892**

(22) Filed: **Apr. 15, 2015**

Related U.S. Application Data

(62) Division of application No. 29/489,739, filed on May 2, 2014, now Pat. No. Des. 730,298.

(51) **LOC (10) Cl.** **13-03**

(52) **U.S. Cl.**
USPC **D13/147**

(58) **Field of Classification Search**
USPC D13/147, 154, 184, 199
See application file for complete search history.

(56) **References Cited**

U.S. PATENT DOCUMENTS

D708,145 S * 7/2014 McCartin et al. D13/147

OTHER PUBLICATIONS

Mongold et al., "Electrical Connector", U.S. Appl. No. 29/489,739, filed May 2, 2014.

Mongold et al., "Electrical Connector", U.S. Appl. No. 29/4523,891, filed Apr. 15, 2015.

* cited by examiner

Primary Examiner — Daniel Bui

(74) *Attorney, Agent, or Firm* — Keating & Bennett, LLP

(57) **CLAIM**

The ornamental designs for an electrical connector, as shown and described.

DESCRIPTION

FIG. 1 is a top, front, and right side perspective view of the first embodiment of an electrical connector showing our new design;

FIG. 2 is a bottom, back, and left side perspective view thereof;

FIG. 3 is a front perspective view thereof;

FIG. 4 is a right side elevation view thereof;

FIG. 5 is a top plan view thereof;

FIG. 6 is a left side elevation view thereof;

FIG. 7 is a front elevation view thereof;

FIG. 8 is a bottom plan view thereof;

FIG. 9 is a back elevation view thereof;

FIG. 10 is a top, front, and right side perspective view of the second embodiment of an electrical connector showing our new design;

FIG. 11 is a bottom, back, and left side perspective view thereof;

FIG. 12 is a front perspective view thereof;

FIG. 13 is a right side elevation view thereof;

FIG. 14 is a top plan view thereof;

FIG. 15 is a left side elevation view thereof;

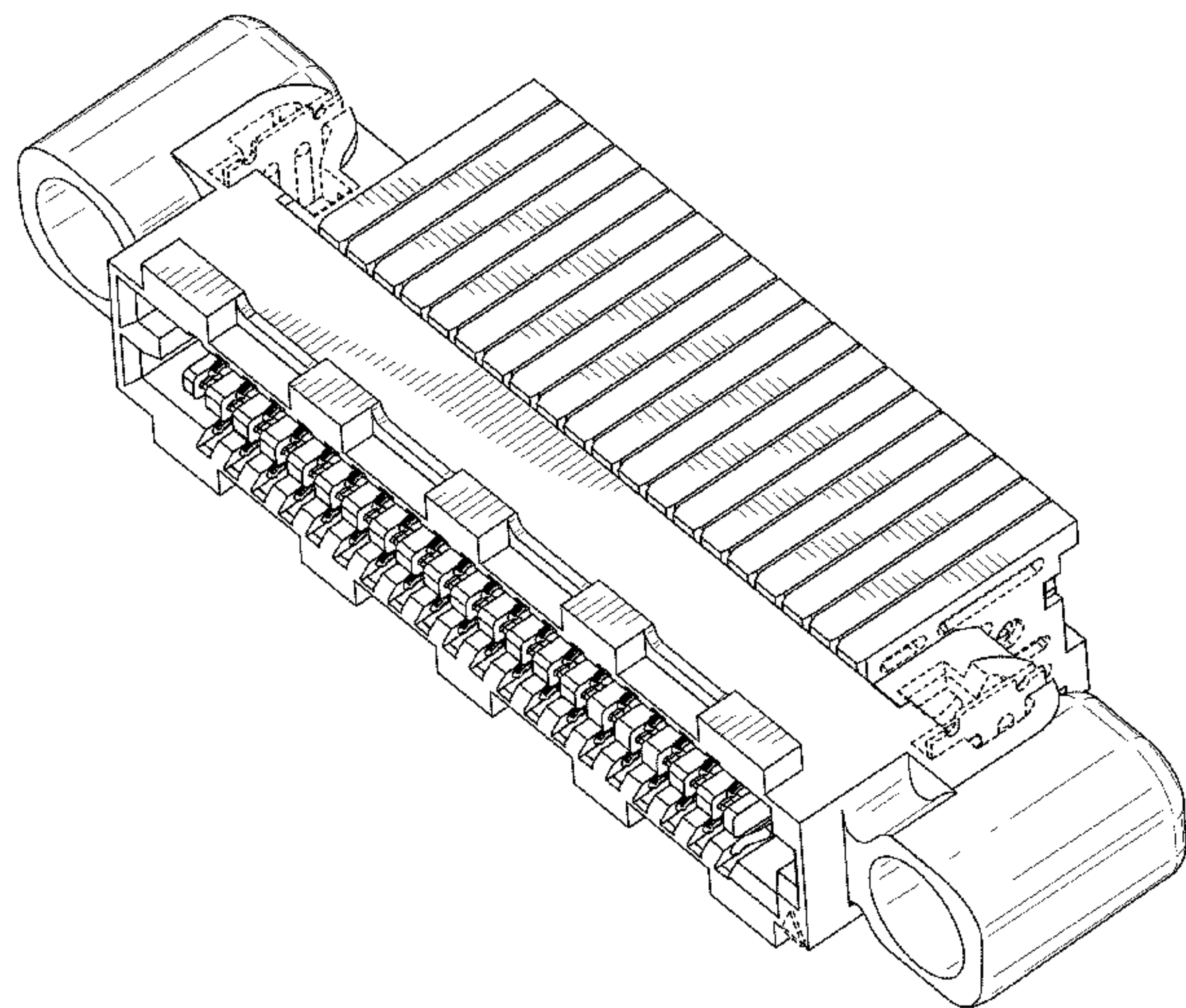
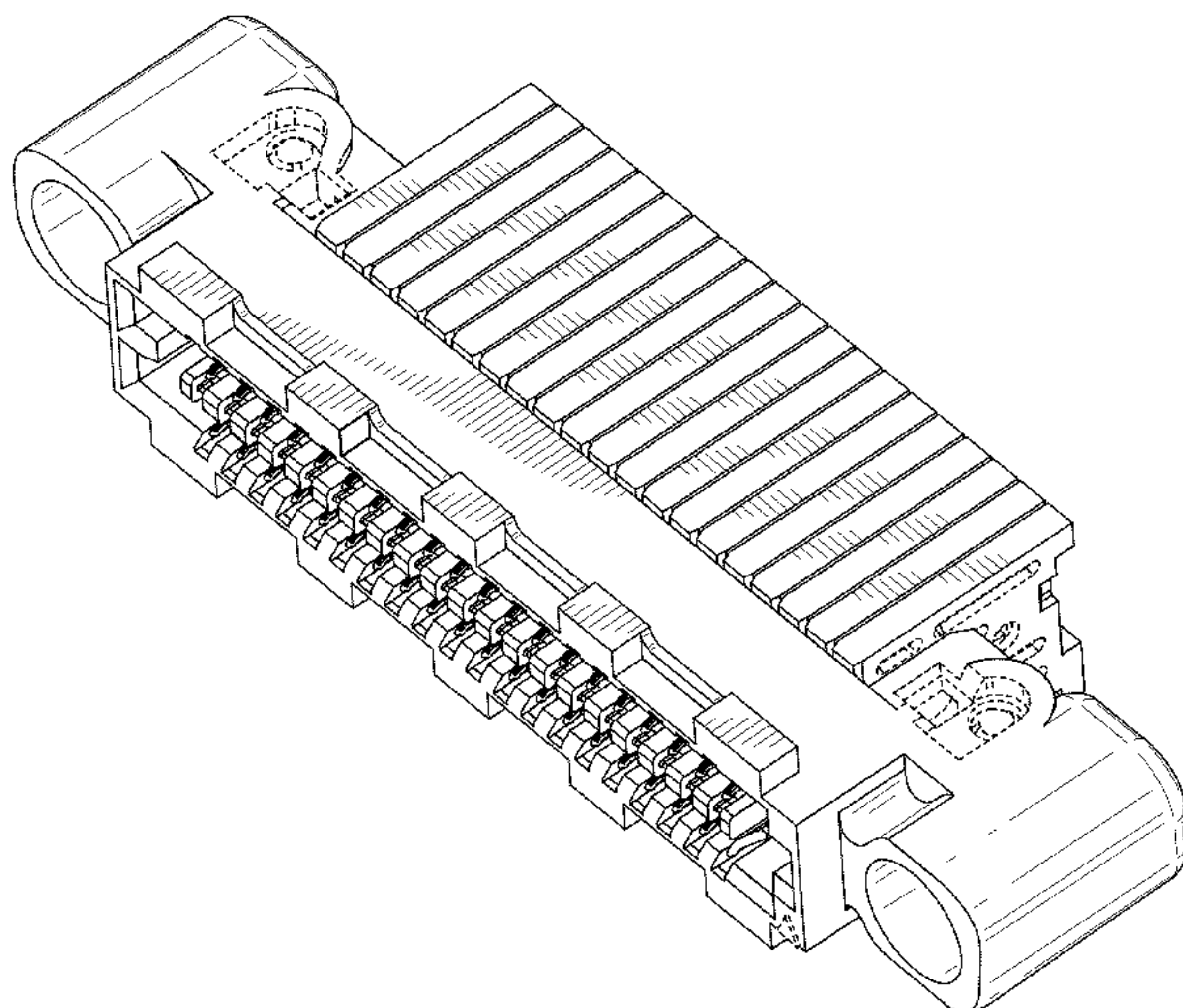
FIG. 16 is a front elevation view thereof;

FIG. 17 is a bottom plan view thereof; and,

FIG. 18 is a back elevation view thereof.

The broken line in the drawing views is included to show unclaimed subject matter only and forms no part of the claimed design.

1 Claim, 18 Drawing Sheets



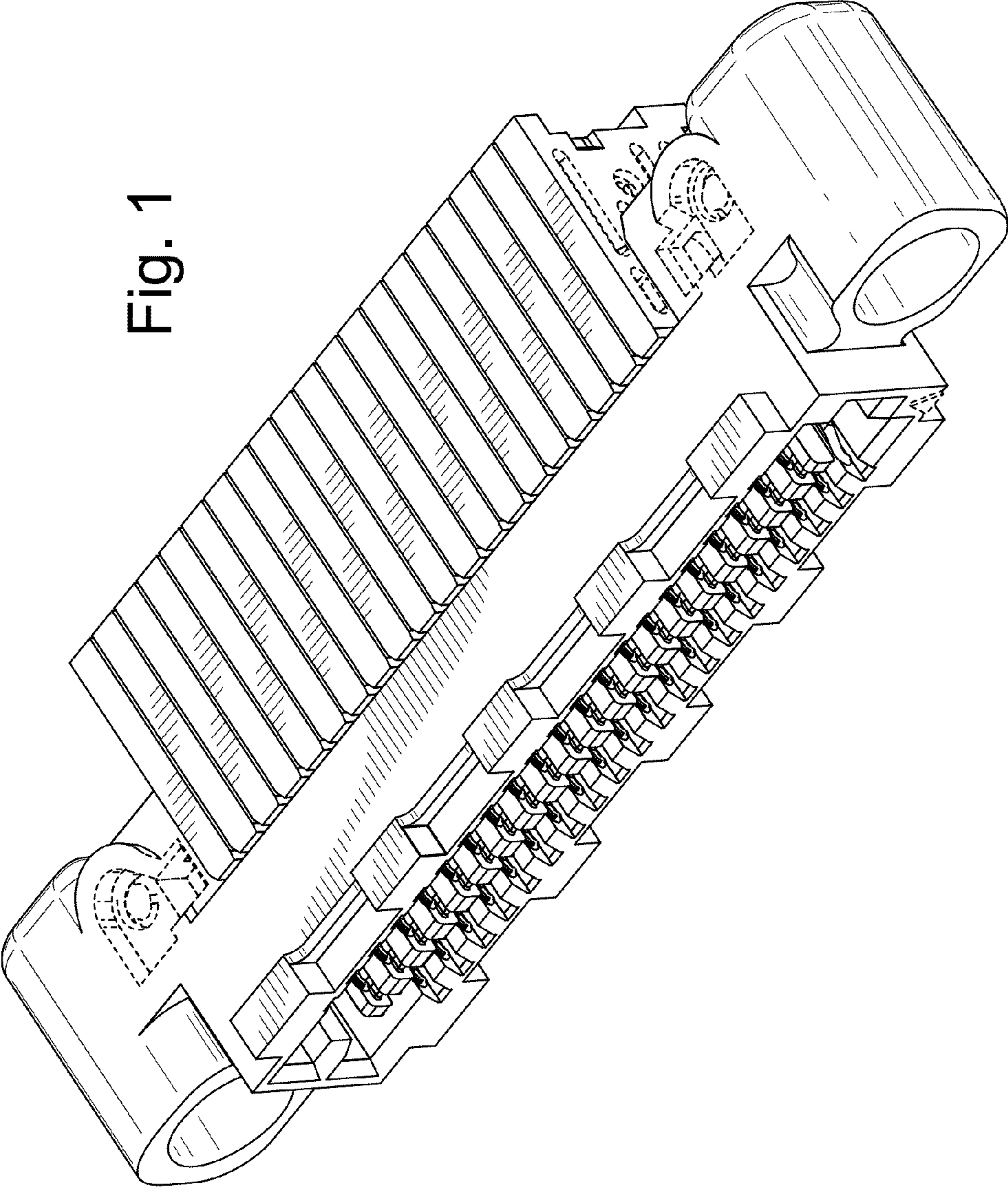


Fig. 1

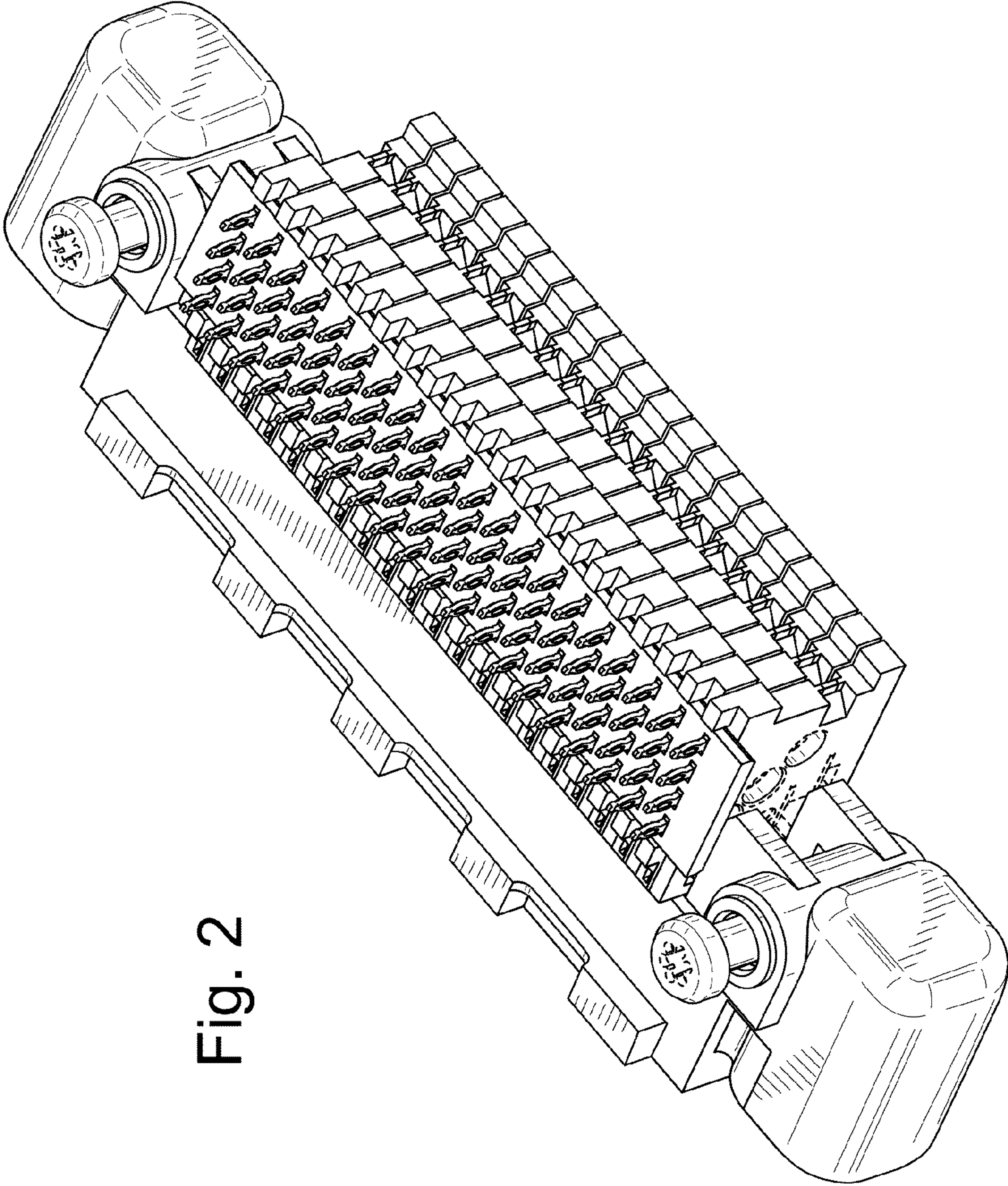


Fig. 2

Fig. 3

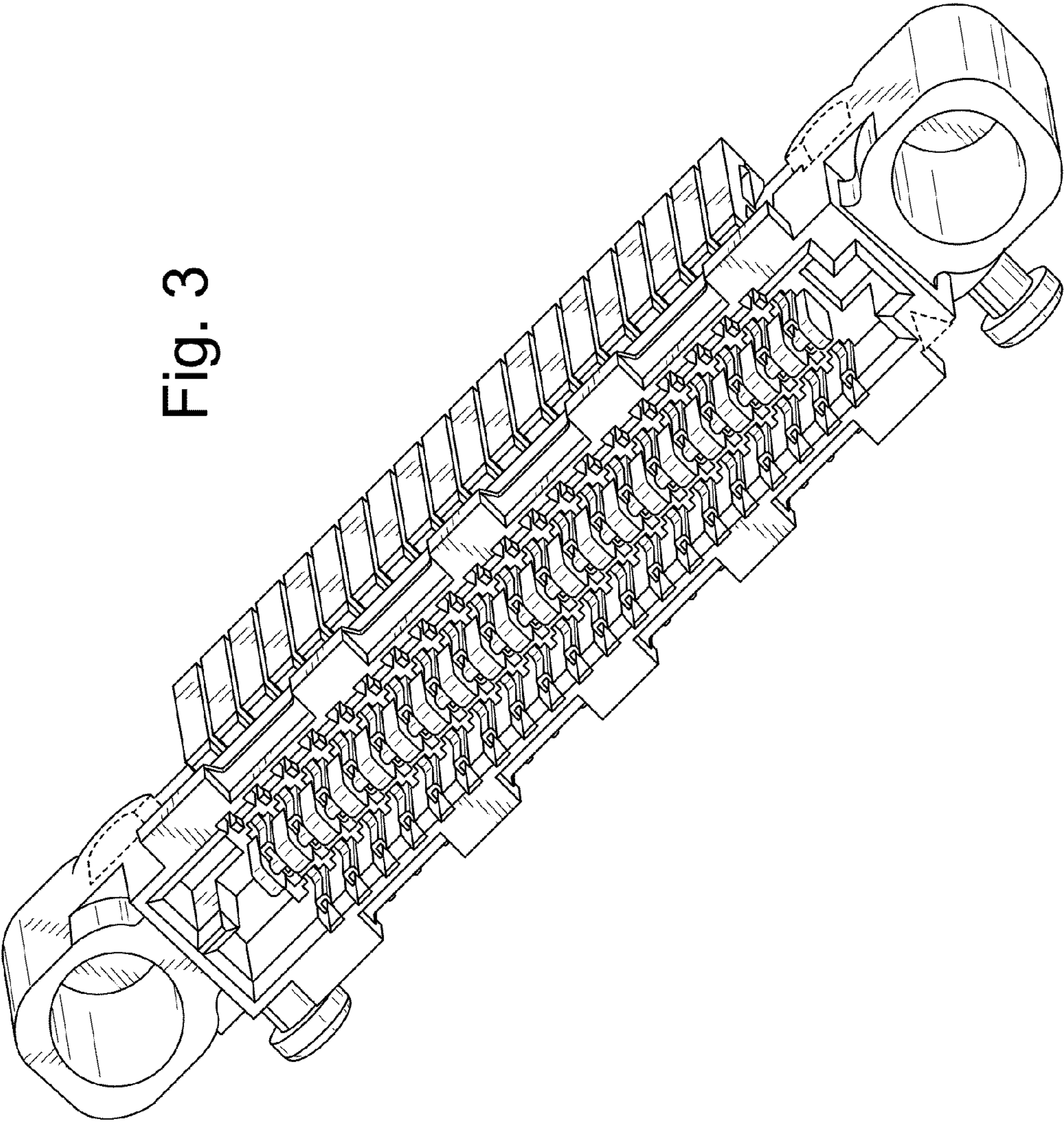


Fig. 4

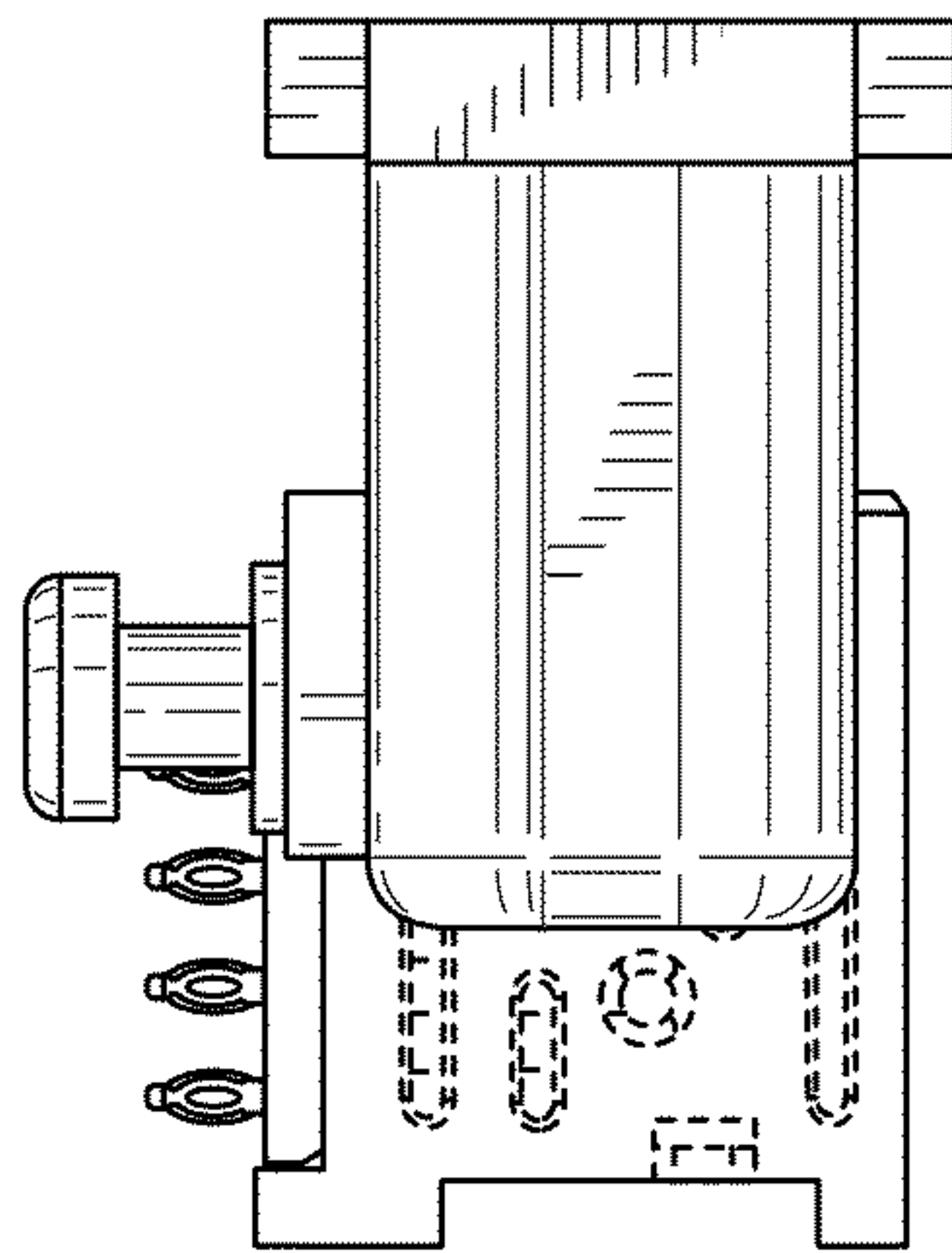


Fig. 5

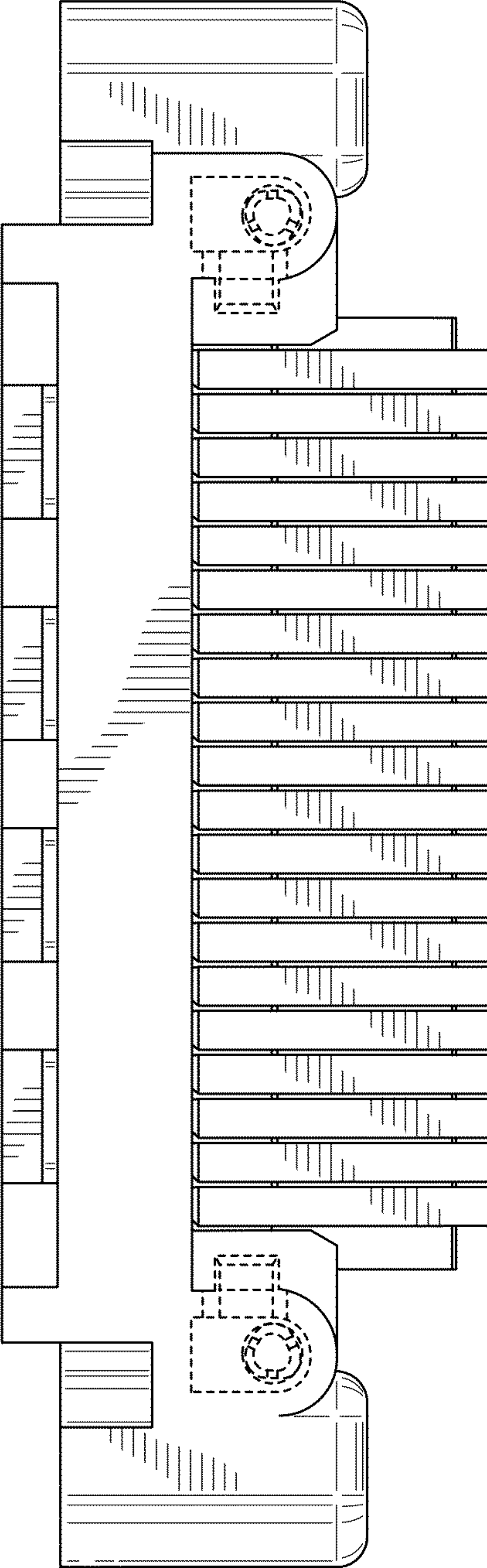


Fig. 6

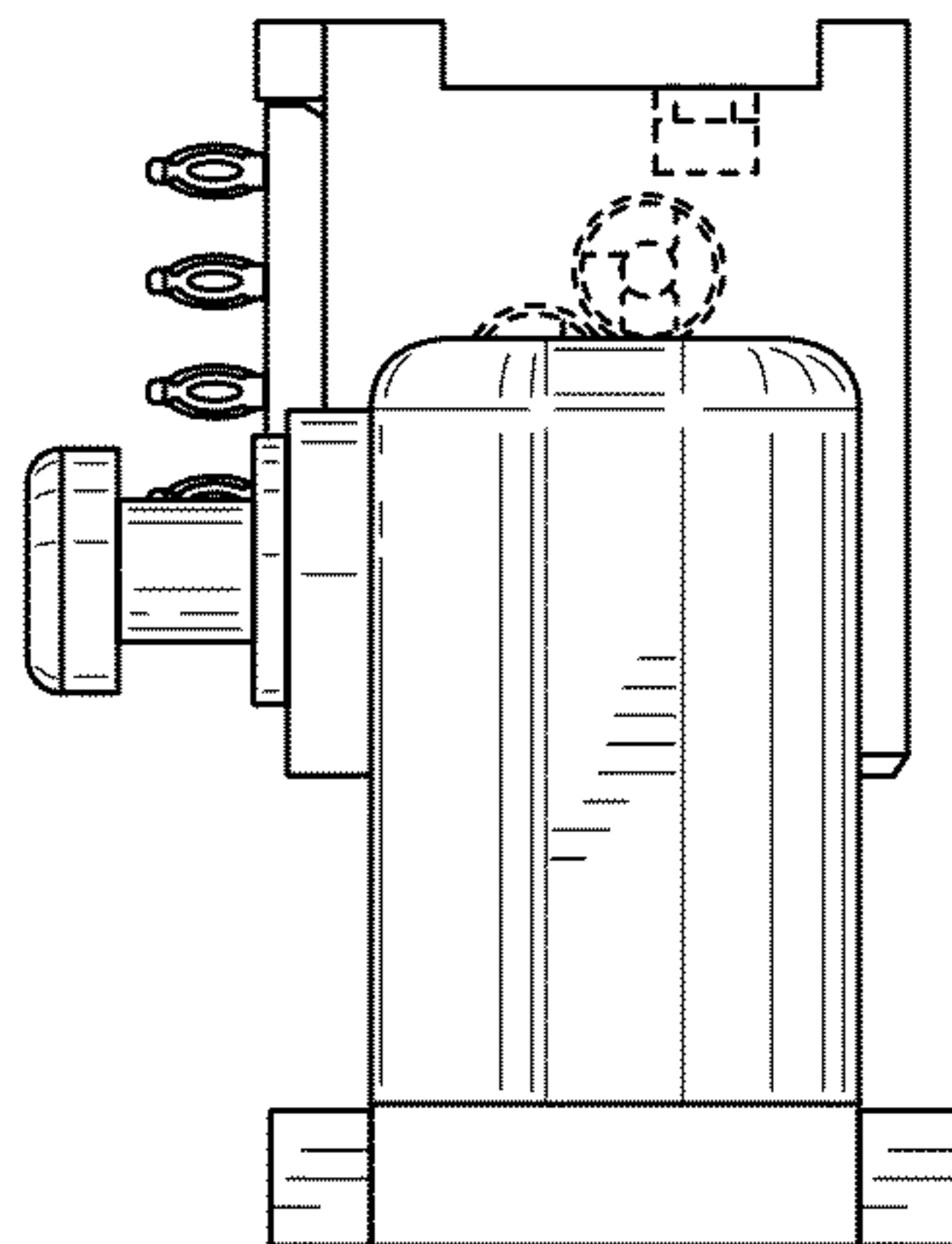


Fig. 7

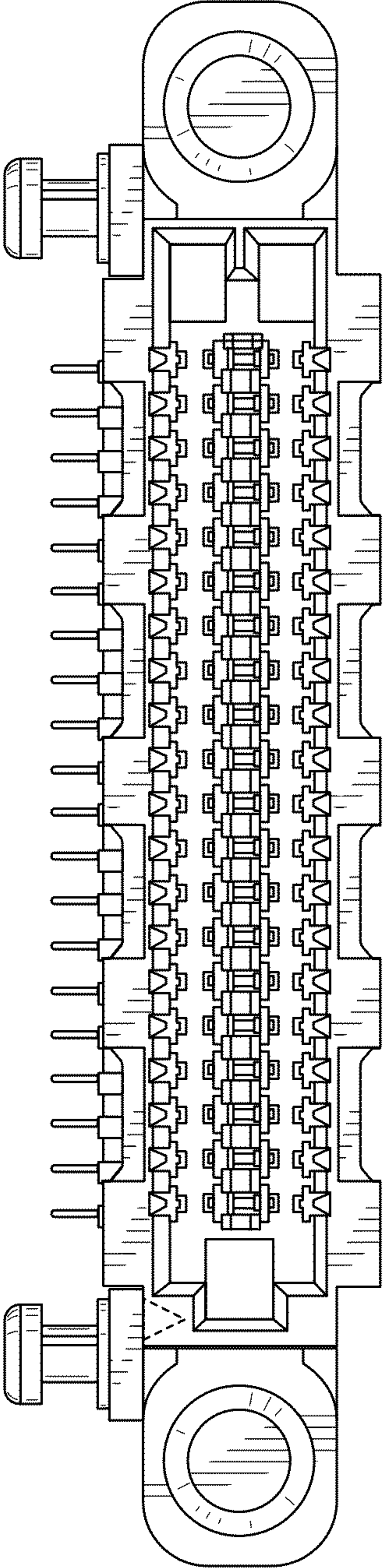


Fig. 8

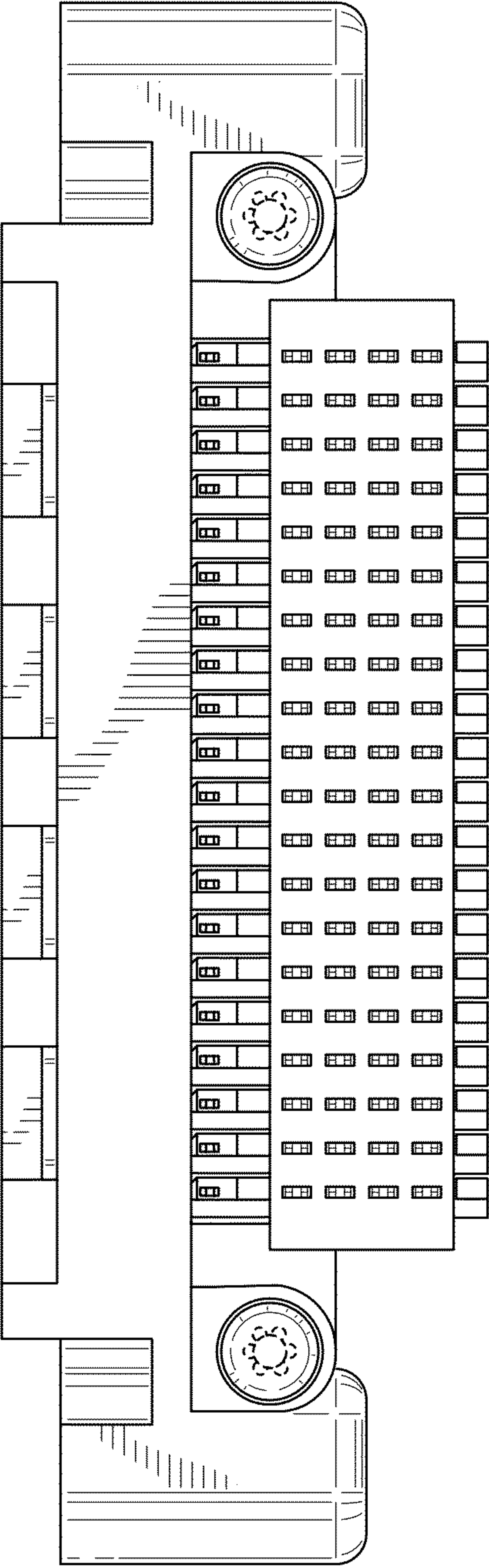


Fig. 9

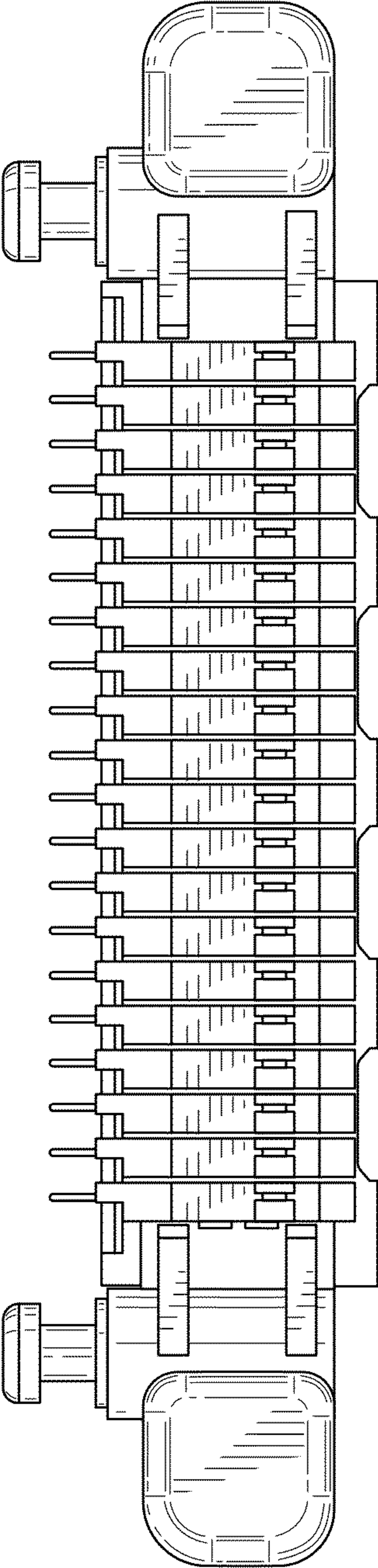
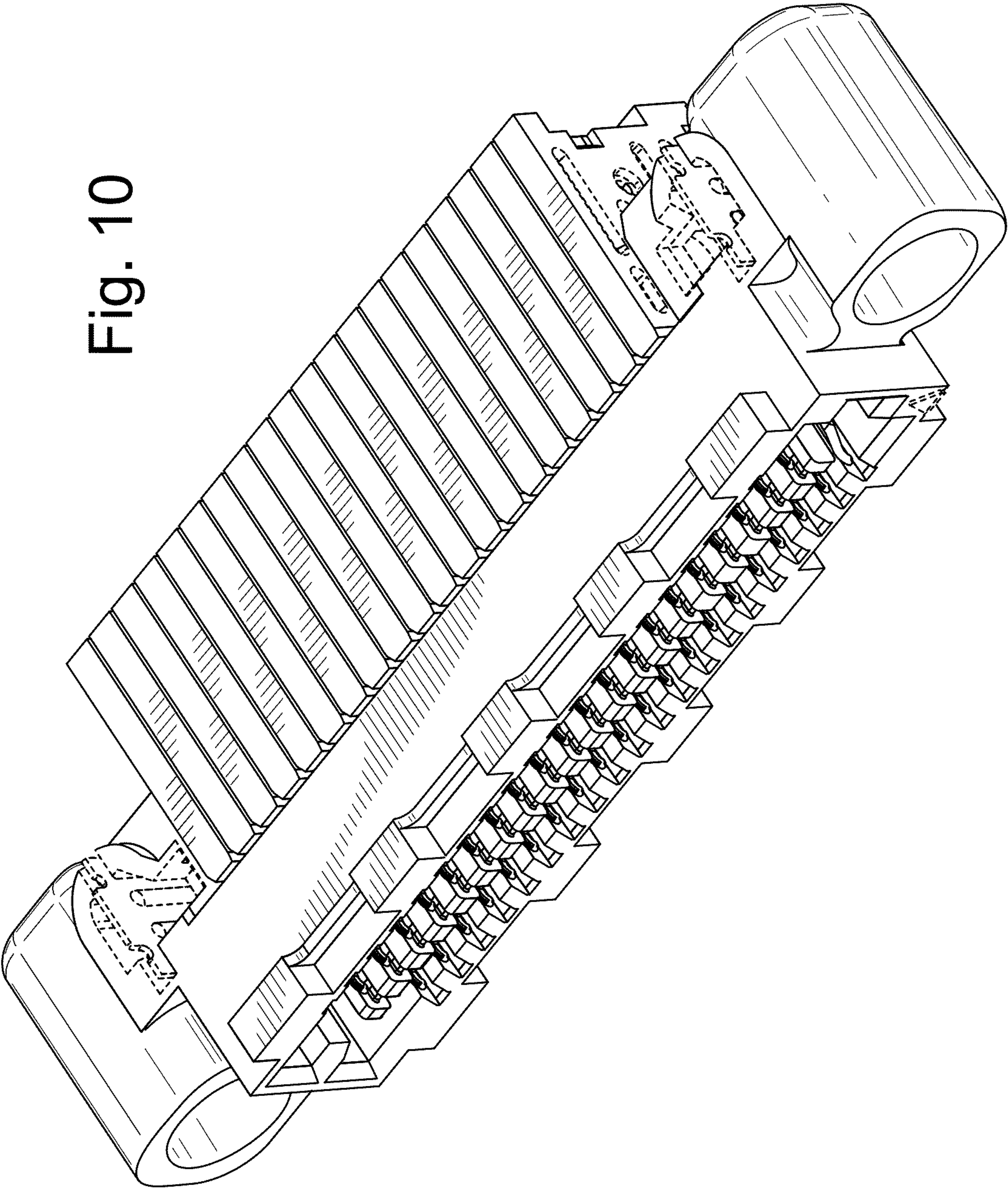


Fig. 10



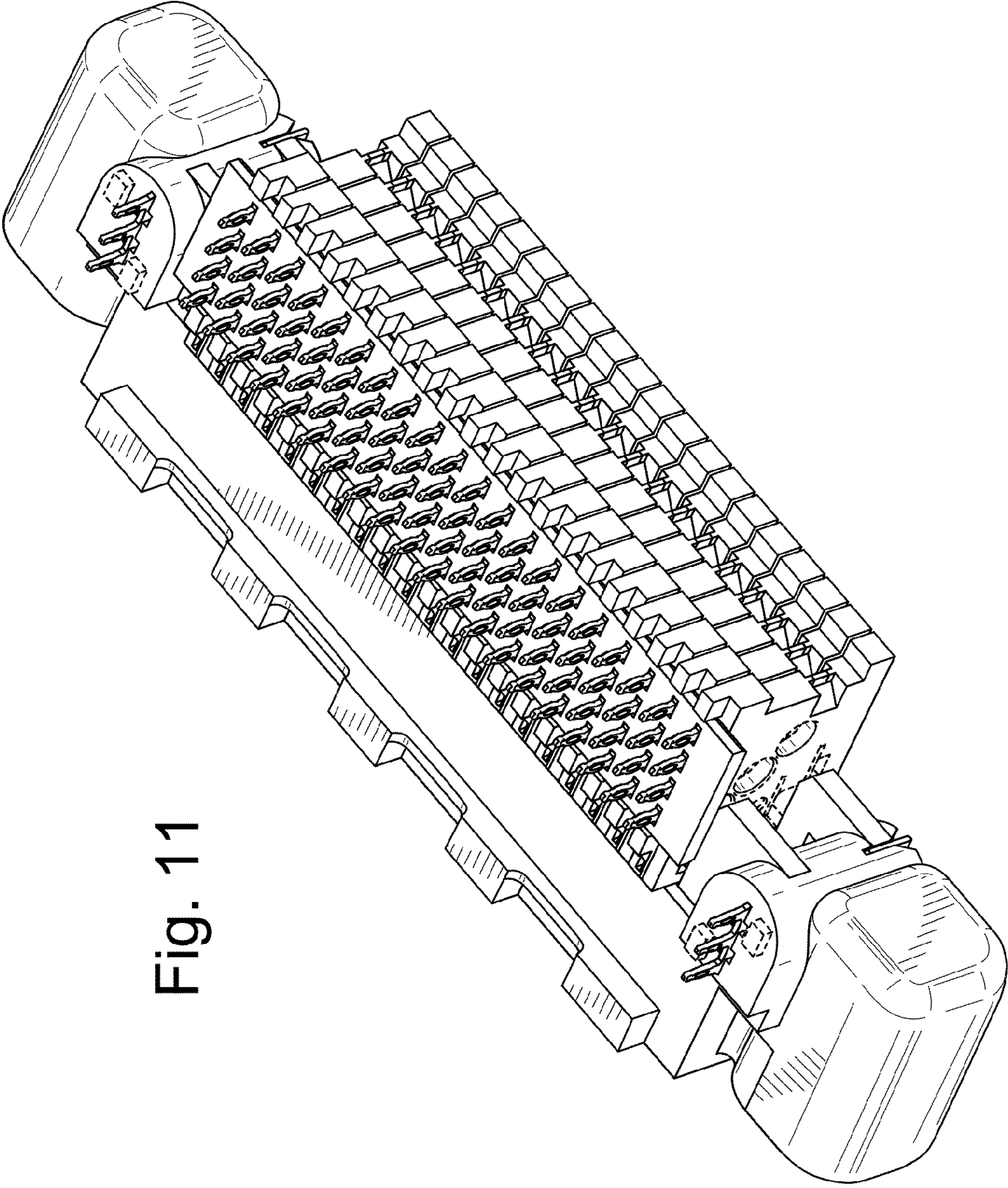


Fig. 11

Fig. 12

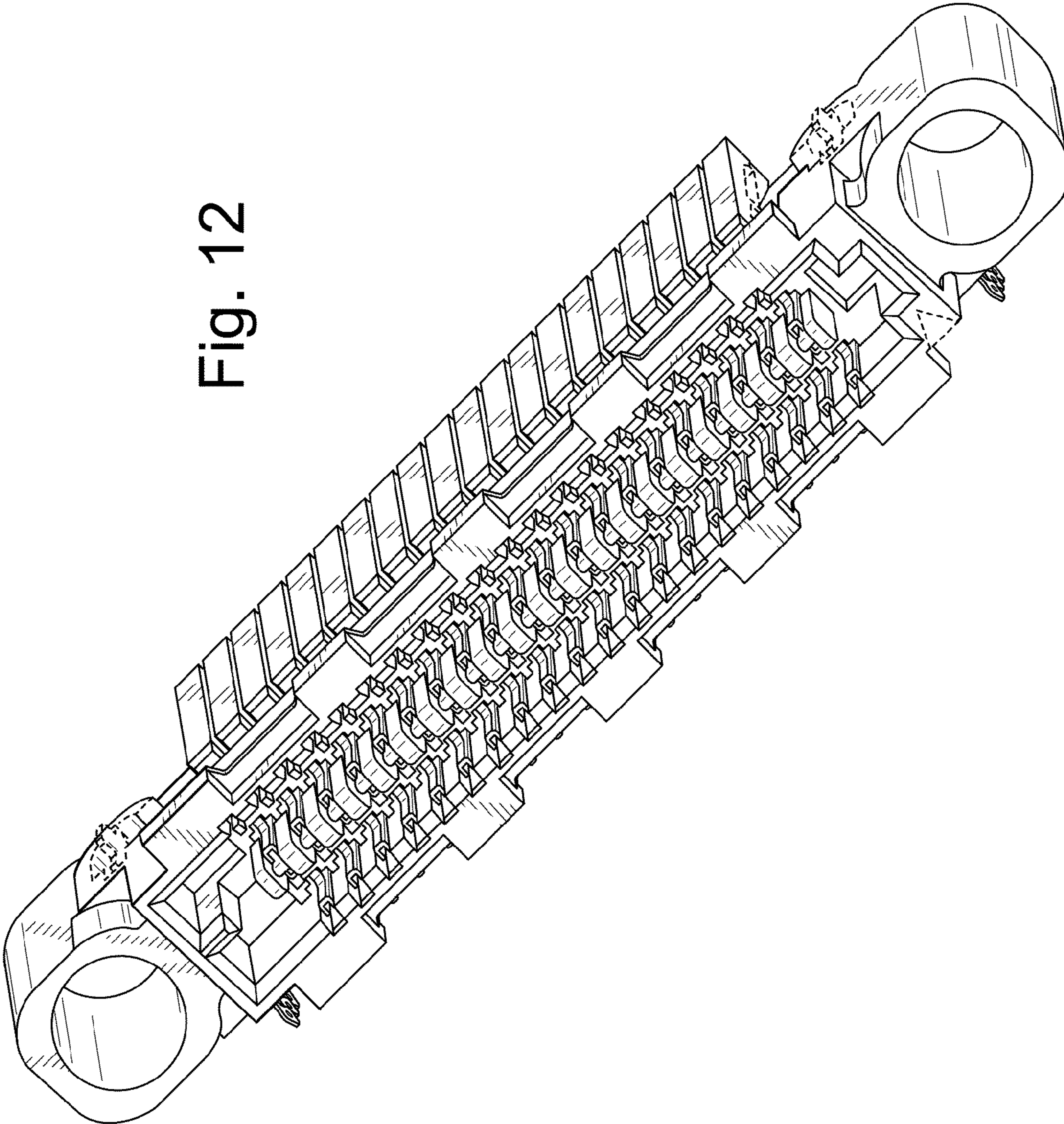


Fig. 13

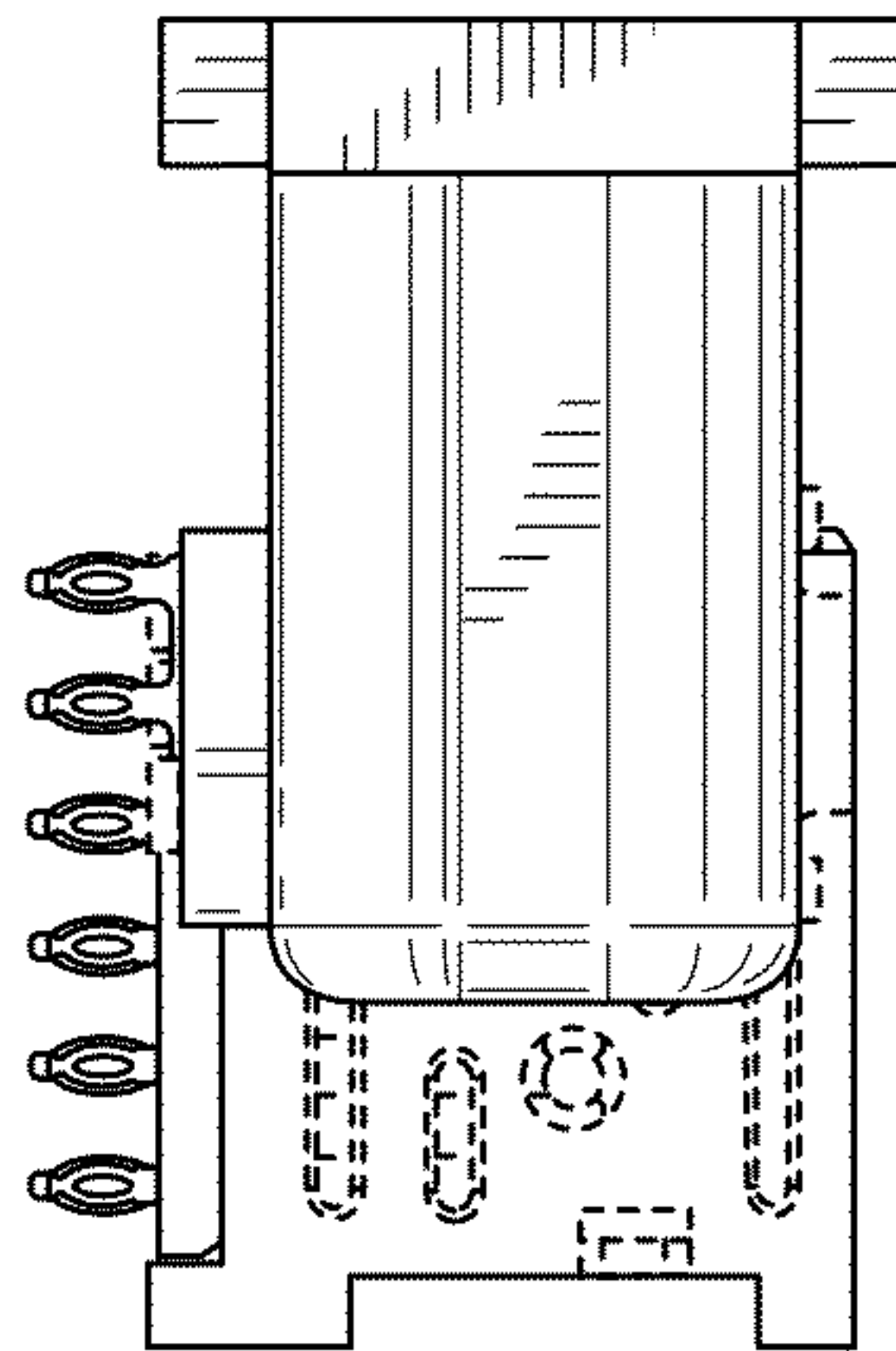


Fig. 14

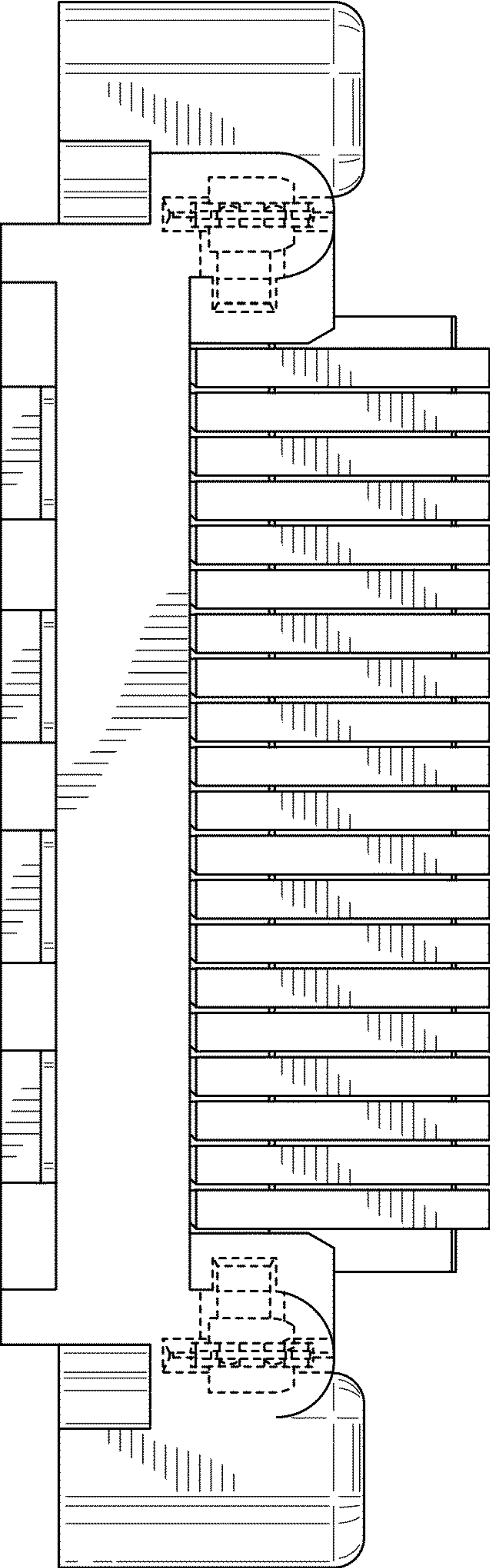


Fig. 15

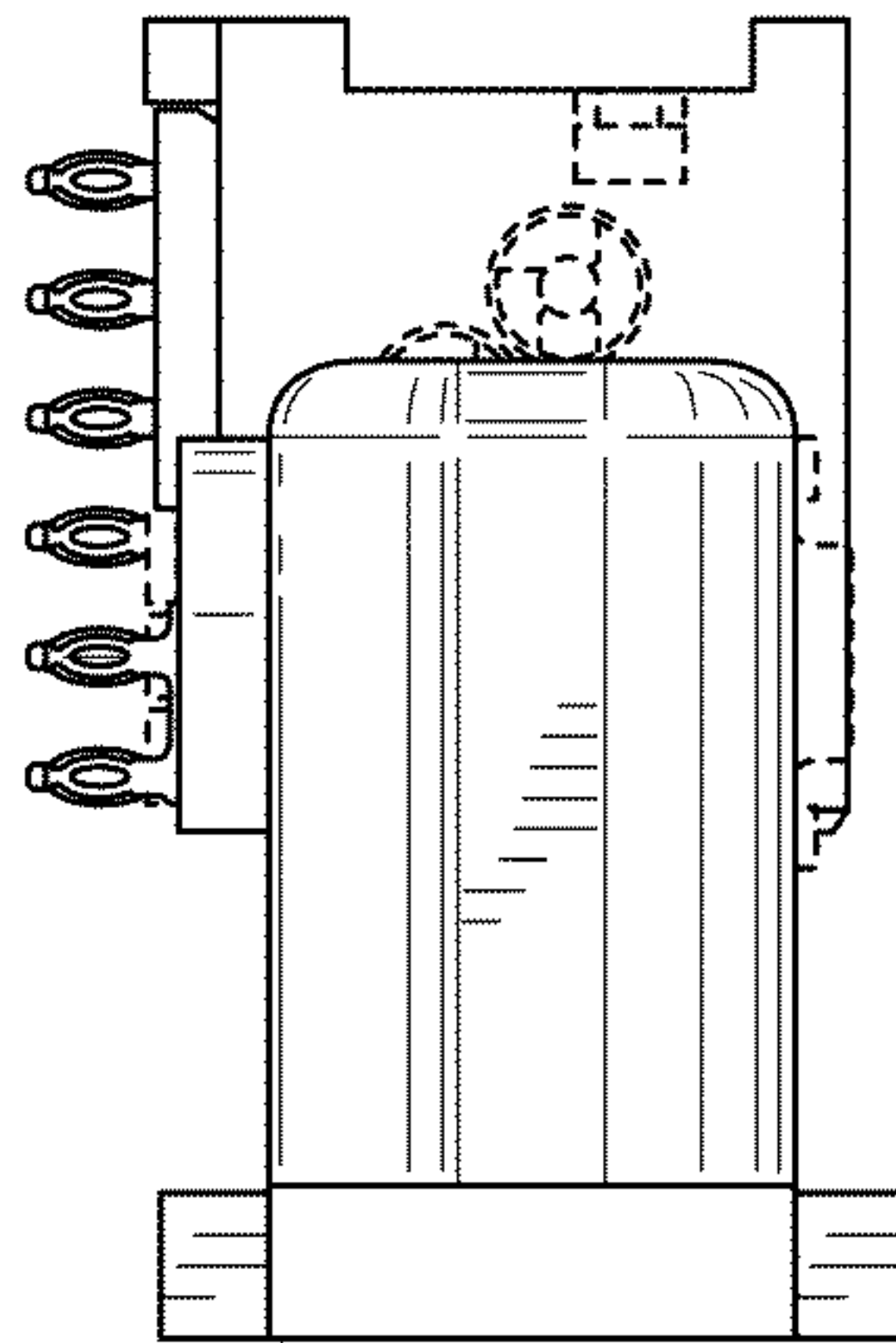


Fig. 16

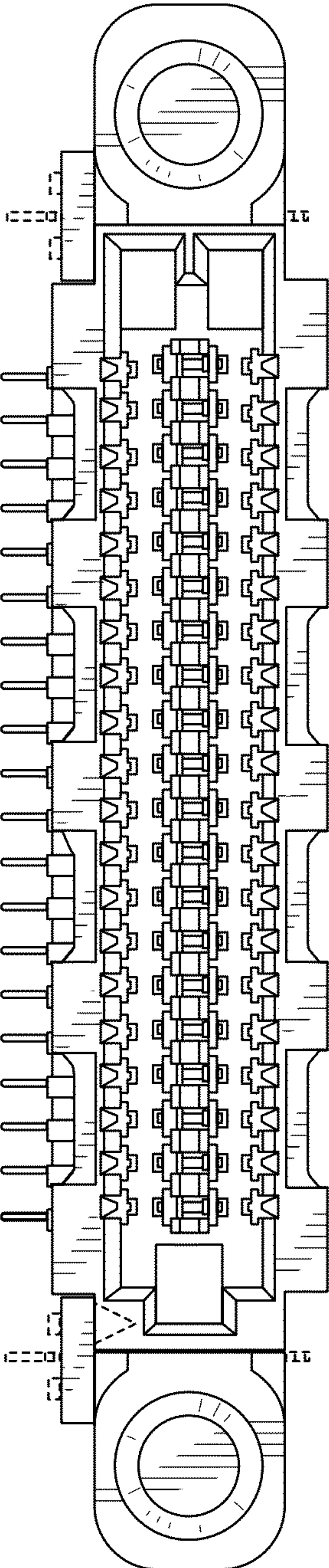


Fig. 17

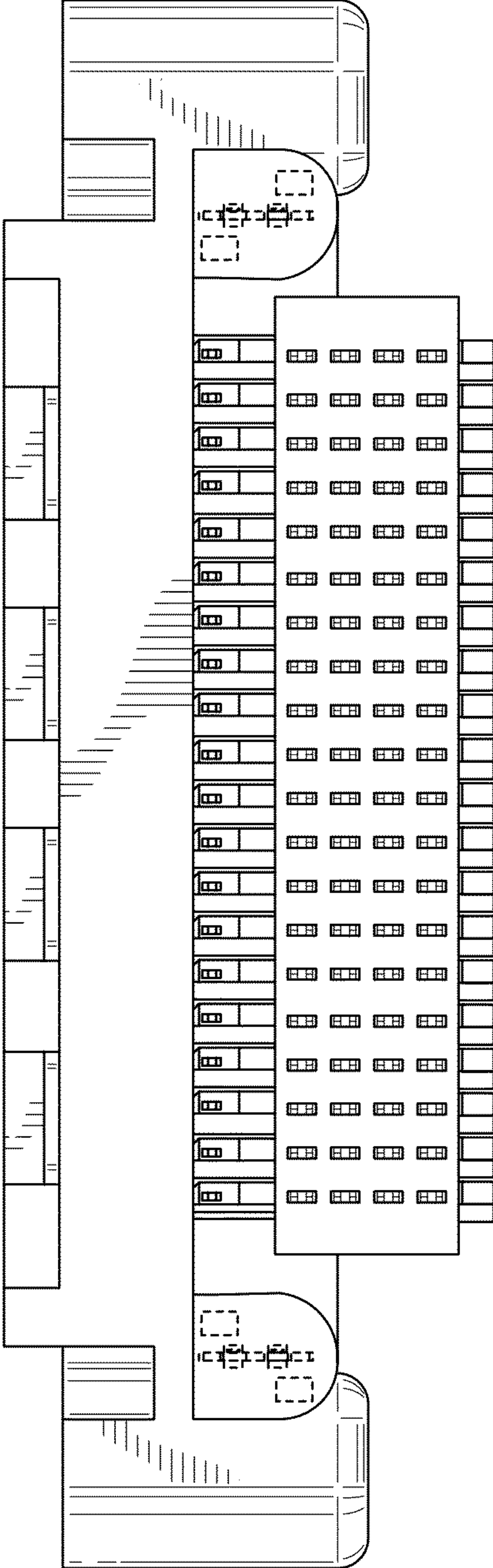


Fig. 18

