

US00D737214S

(12) **United States Design Patent**
Endo et al.

(10) **Patent No.:** **US D737,214 S**
(45) **Date of Patent:** **** Aug. 25, 2015**

(54) **HOUSING FOR AN ELECTRIC CONNECTOR**

(71) Applicant: **DAI-ICHI SEIKO CO., LTD.**, Kyoto (JP)

(72) Inventors: **Takayoshi Endo**, Shizuoka (JP); **Jun Mukunoki**, Shizuoka (JP); **Daisuke Matsushita**, Shizuoka (JP)

(73) Assignee: **DAI-ICHI SEIKO CO., LTD.**, Kyoto (JP)

(**) Term: **14 Years**

(21) Appl. No.: **29/513,471**

(22) Filed: **Dec. 31, 2014**

(30) **Foreign Application Priority Data**

Jul. 11, 2014 (JP) 2014-015215

(51) **LOC (10) Cl.** **13-03**

(52) **U.S. Cl.**
USPC **D13/147**

(58) **Field of Classification Search**
USPC D13/133, 147, 154, 184, 199
See application file for complete search history.

(56) **References Cited**

U.S. PATENT DOCUMENTS

D314,754 S * 2/1991 Endo et al. D13/147
D316,081 S * 4/1991 Tsubokura et al. D13/147

D317,295 S * 6/1991 Saito D13/147
D319,998 S * 9/1991 Kozono D13/133
D327,670 S * 7/1992 Kozono et al. D13/133
2015/0056872 A1 * 2/2015 Endo et al. 439/733.1

* cited by examiner

Primary Examiner — Daniel Bui

(74) *Attorney, Agent, or Firm* — Wenderoth, Lind & Ponack, L.L.P.

(57) **CLAIM**

The ornamental design for a housing for an electric connector, as shown in the drawings and described above.

DESCRIPTION

FIG. 1 is a front, top, and right side perspective view of a housing for an electric connector;
FIG. 2 is a front, bottom, and right side perspective view thereof;
FIG. 3 is a front elevation view thereof;
FIG. 4 is a rear elevation view thereof;
FIG. 5 is a top plan view thereof;
FIG. 6 is a bottom plan view thereof;
FIG. 7 is a right side view thereof;
FIG. 8 is a left side view thereof;
FIG. 9 is a front, bottom, and right side perspective view thereof, in an exploded condition; and,
FIG. 10 is a front, top, and right side perspective view thereof, in use condition.

The broken lines shown in the drawings are included for the purpose of illustrating unclaimed environment only, and form no part of the claimed design.

1 Claim, 7 Drawing Sheets

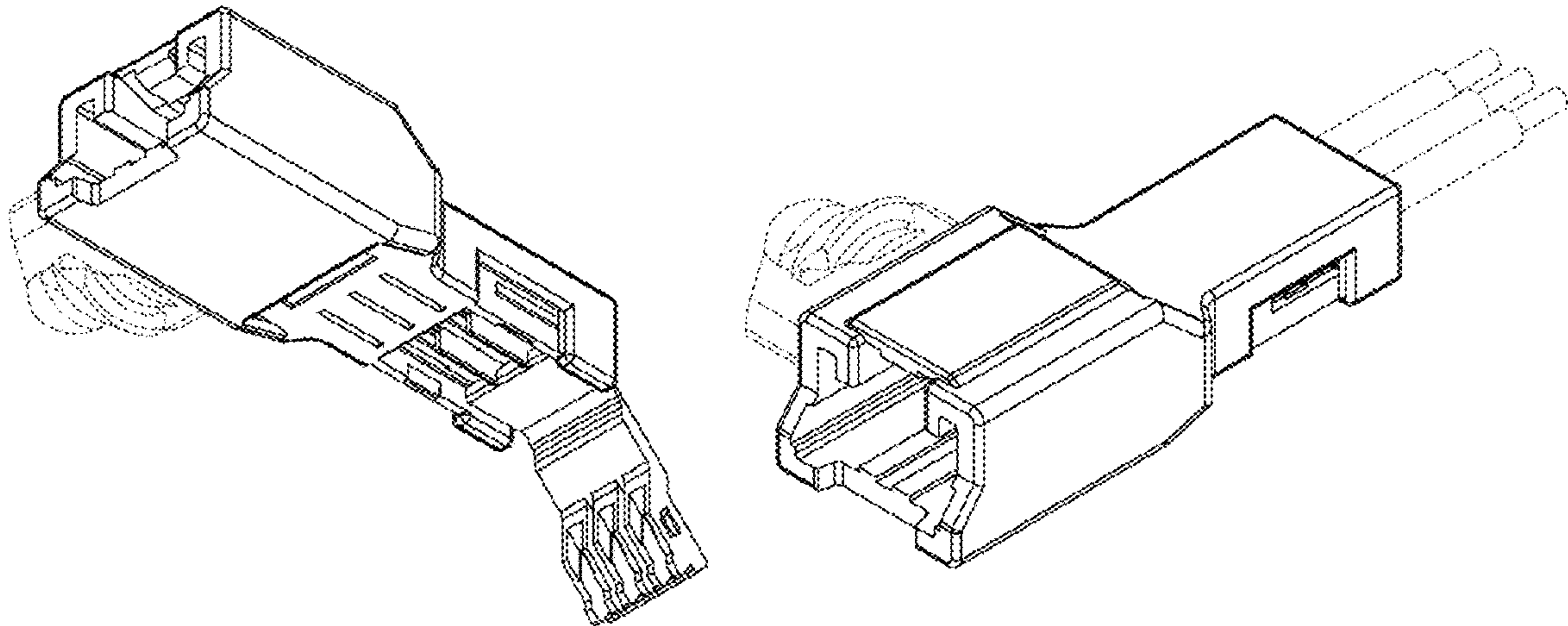


FIG. 1

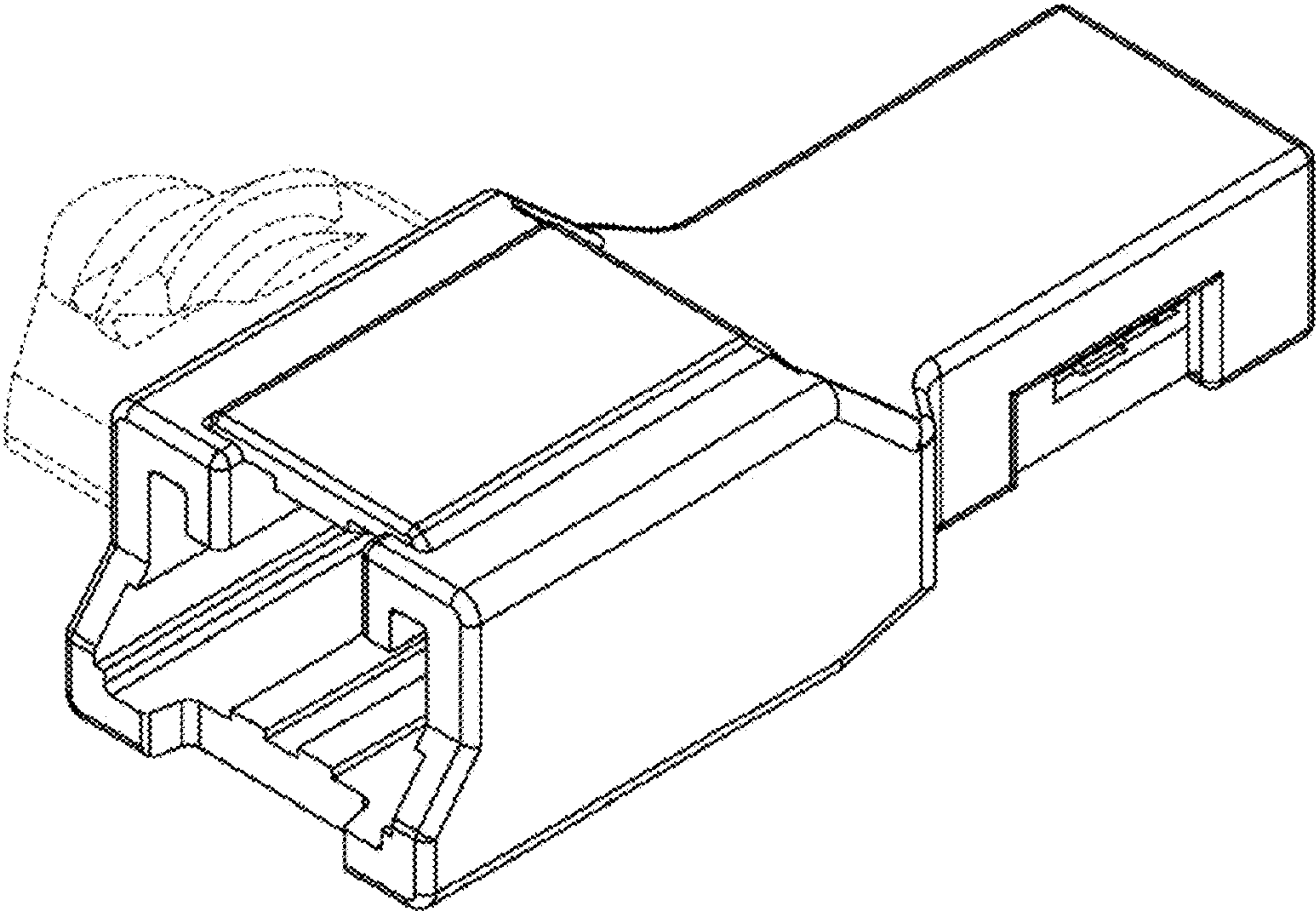


FIG. 2

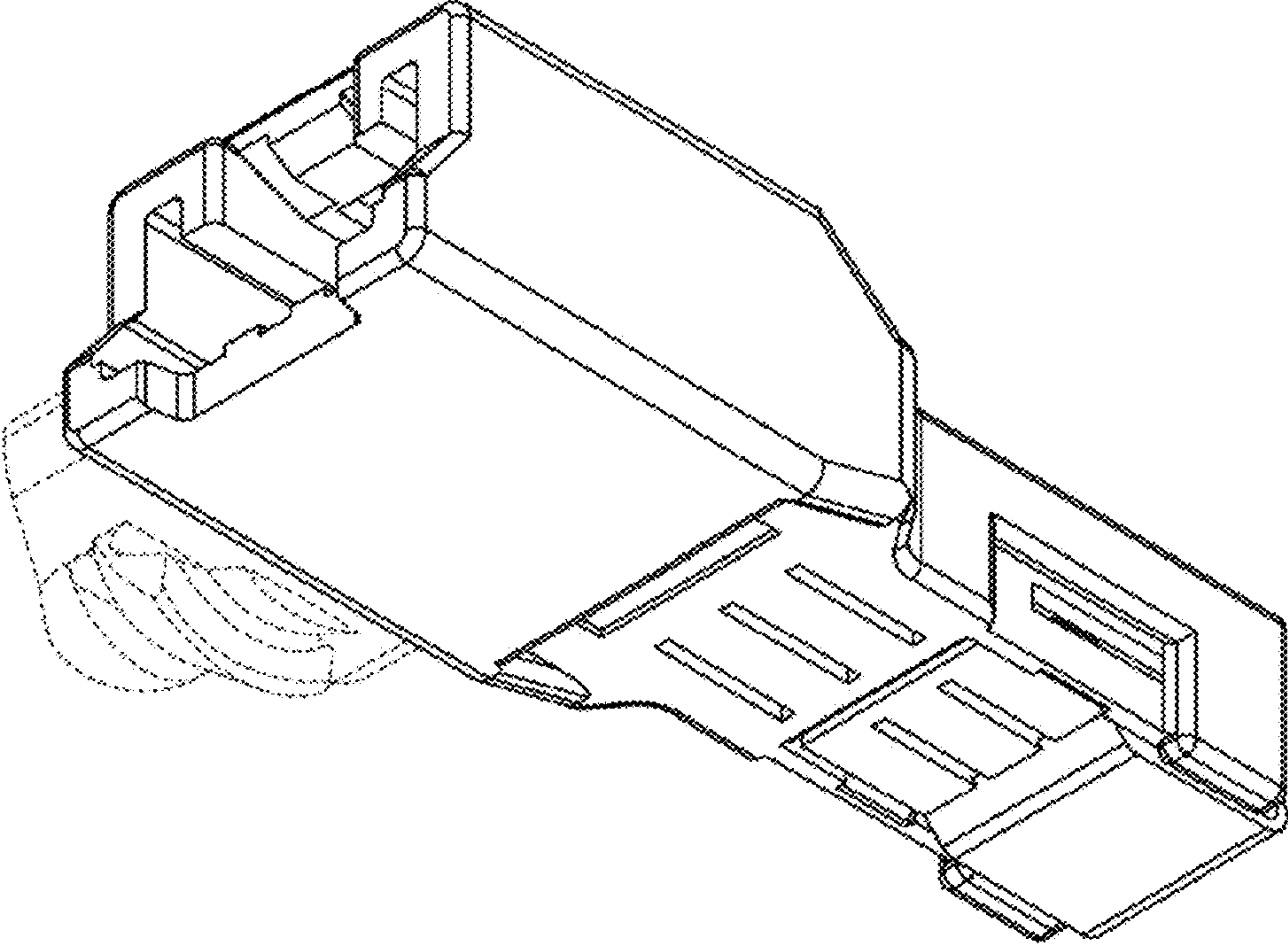


FIG. 3

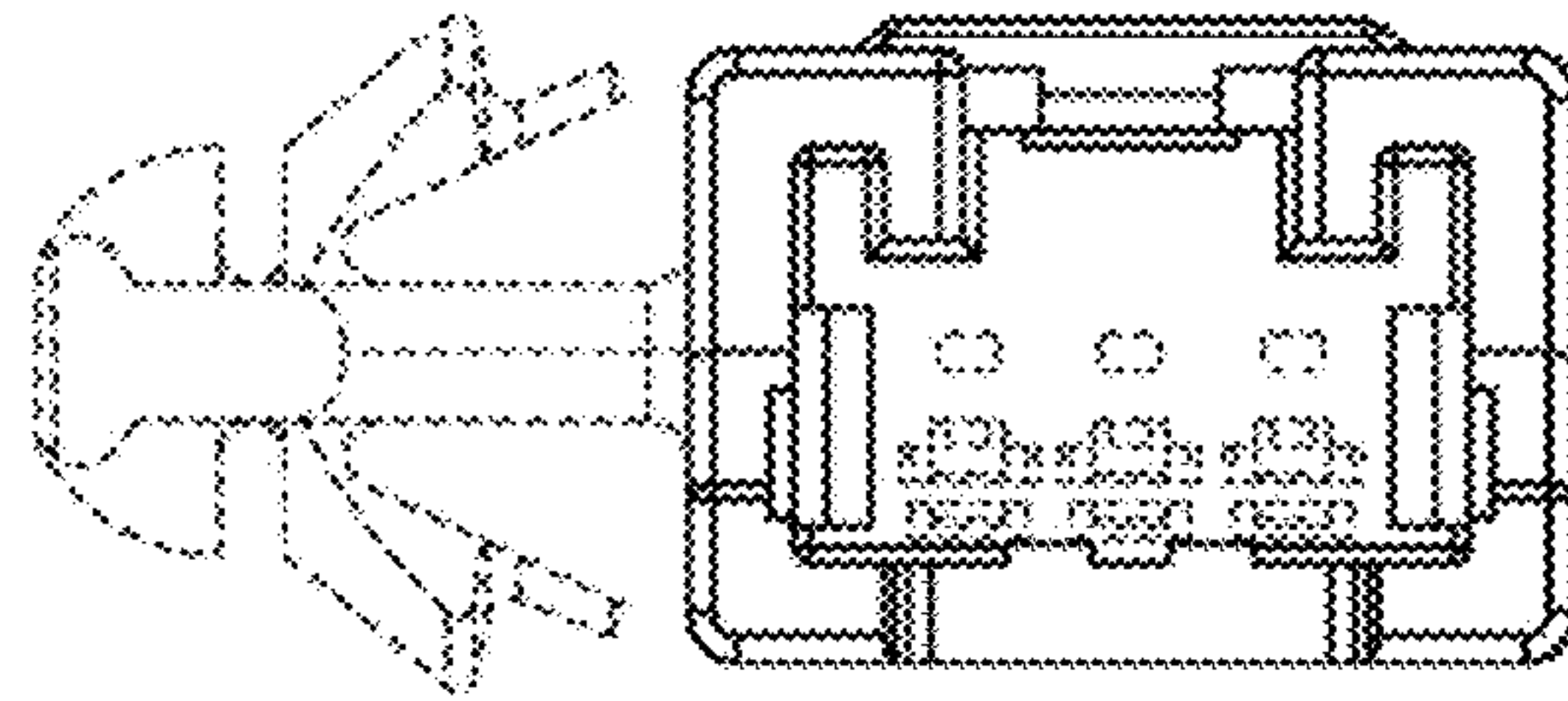


FIG. 4

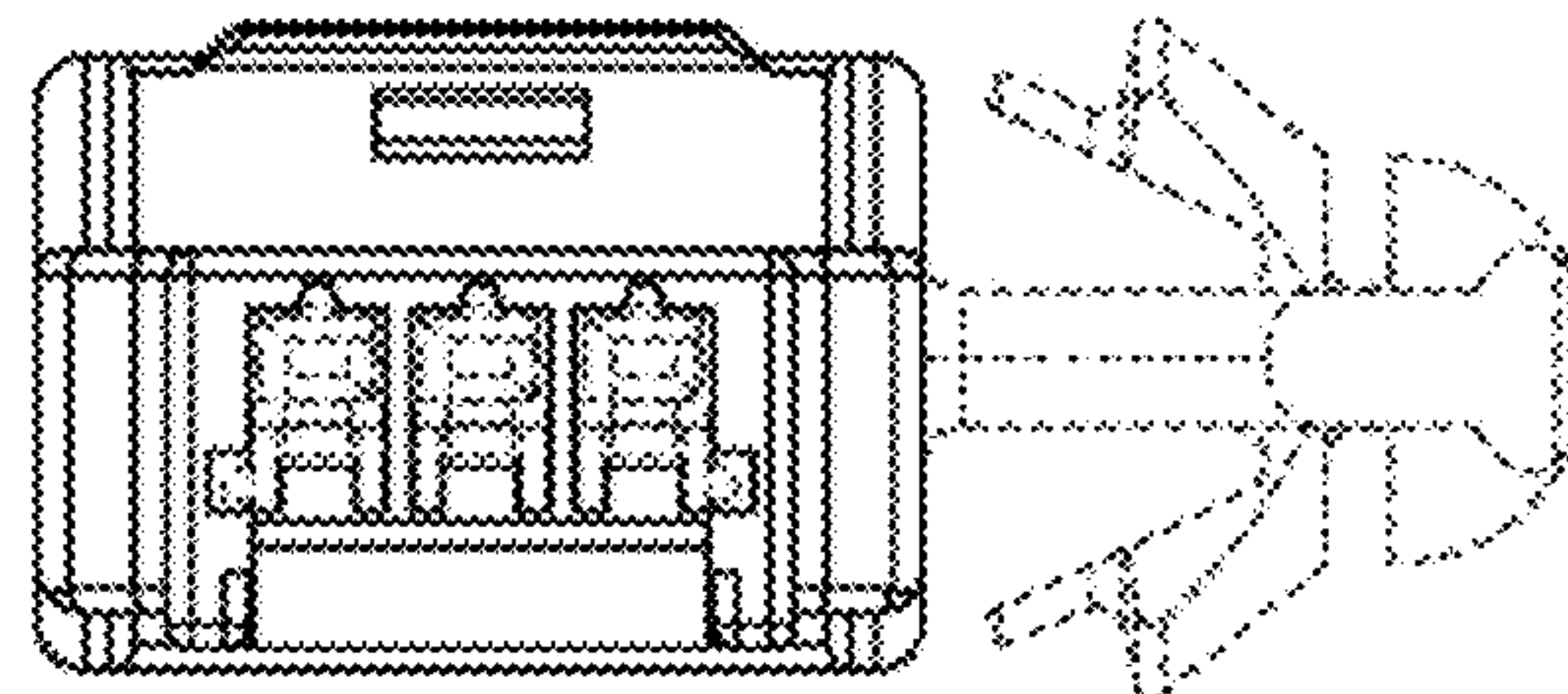


FIG. 5

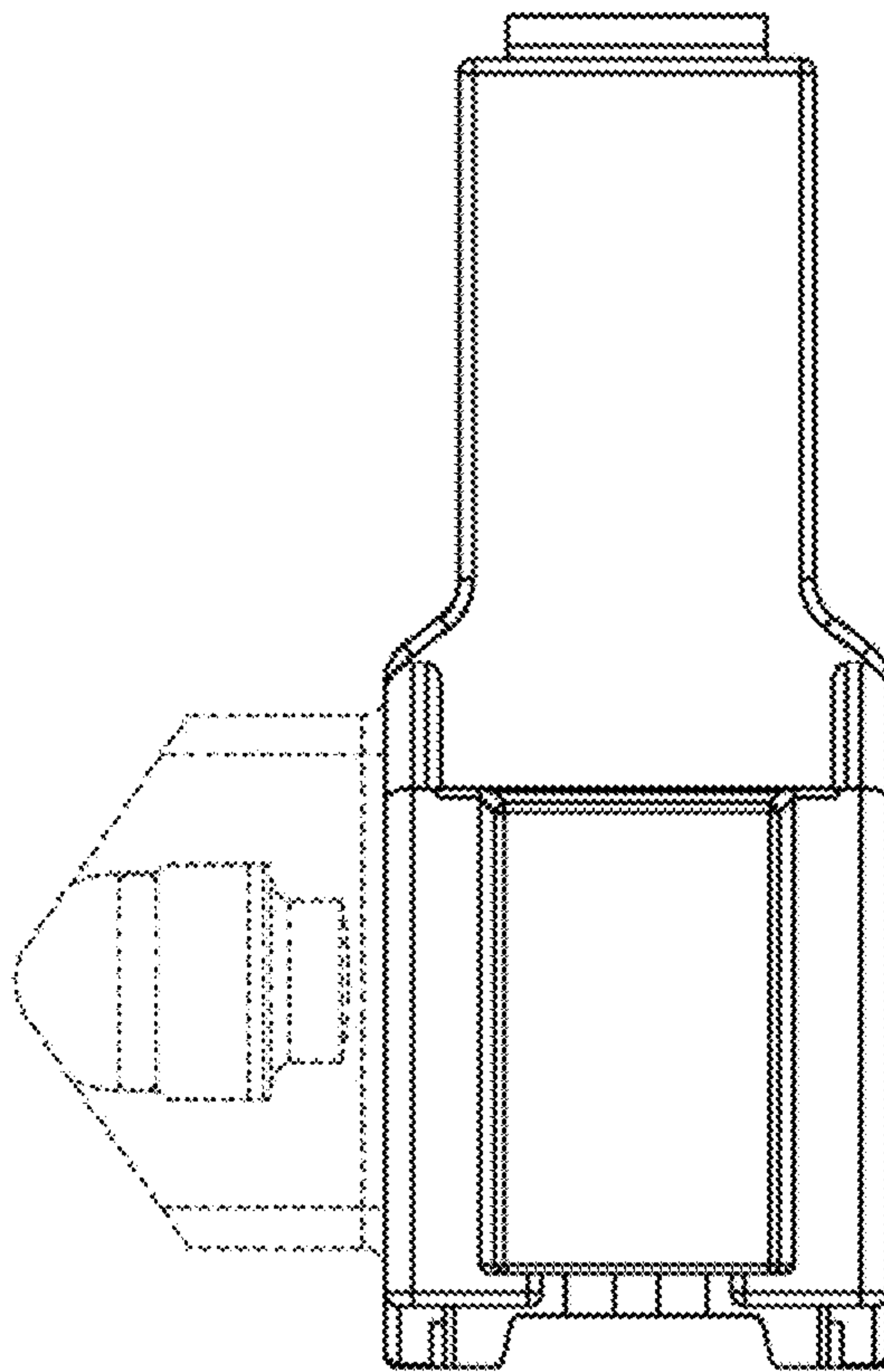


FIG. 6

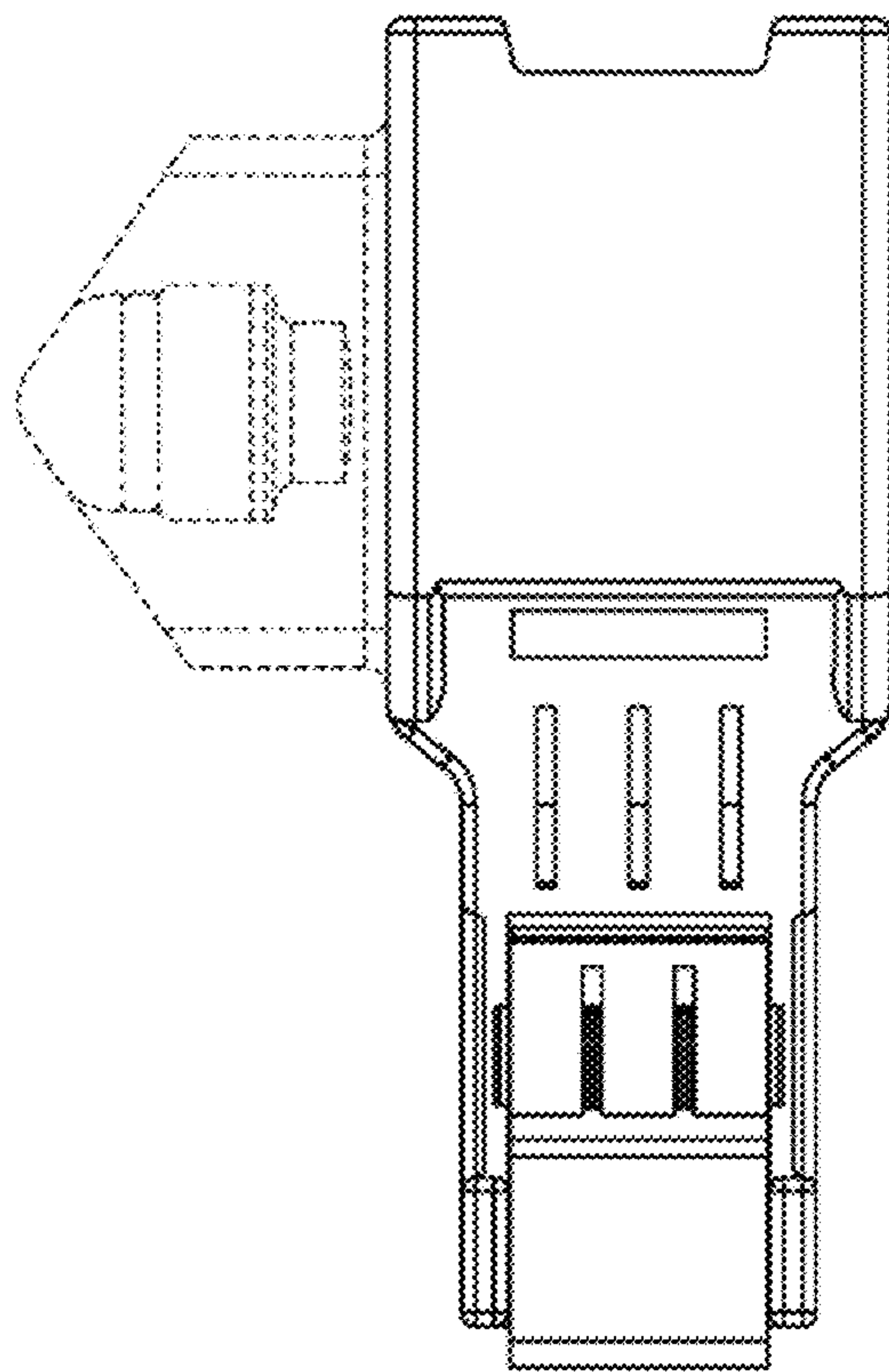


FIG. 7

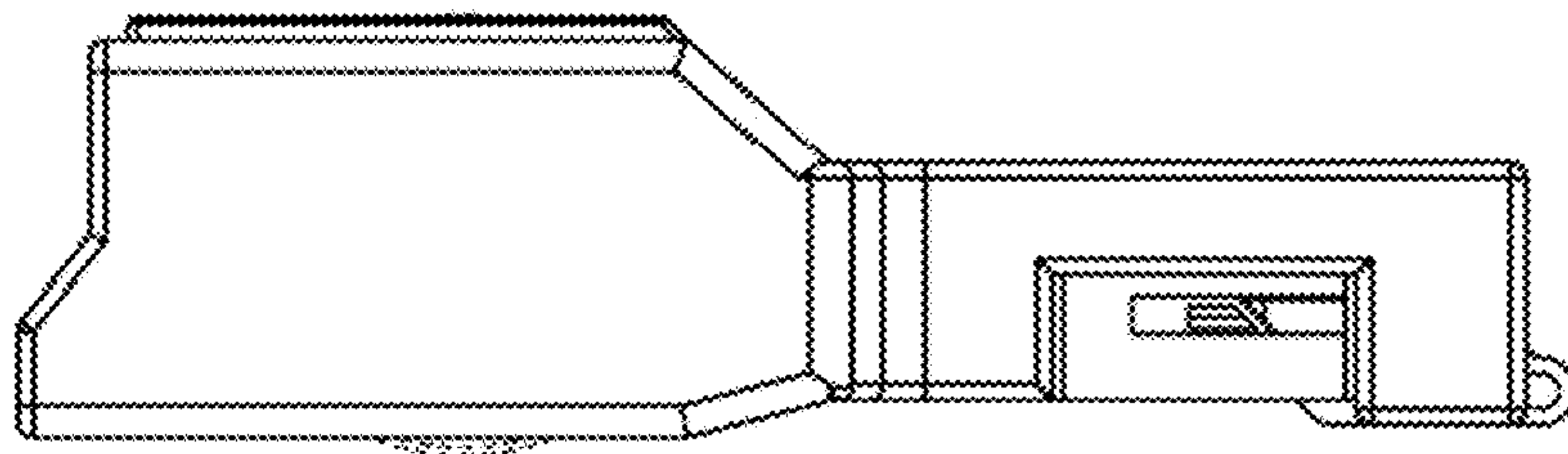


FIG. 8

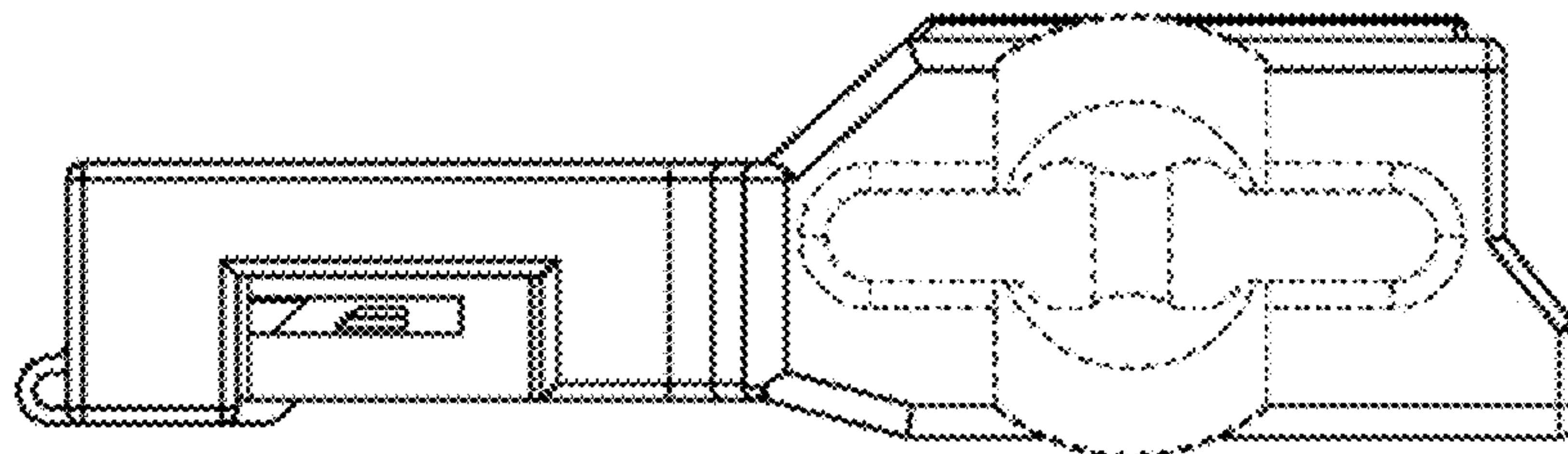


FIG. 9

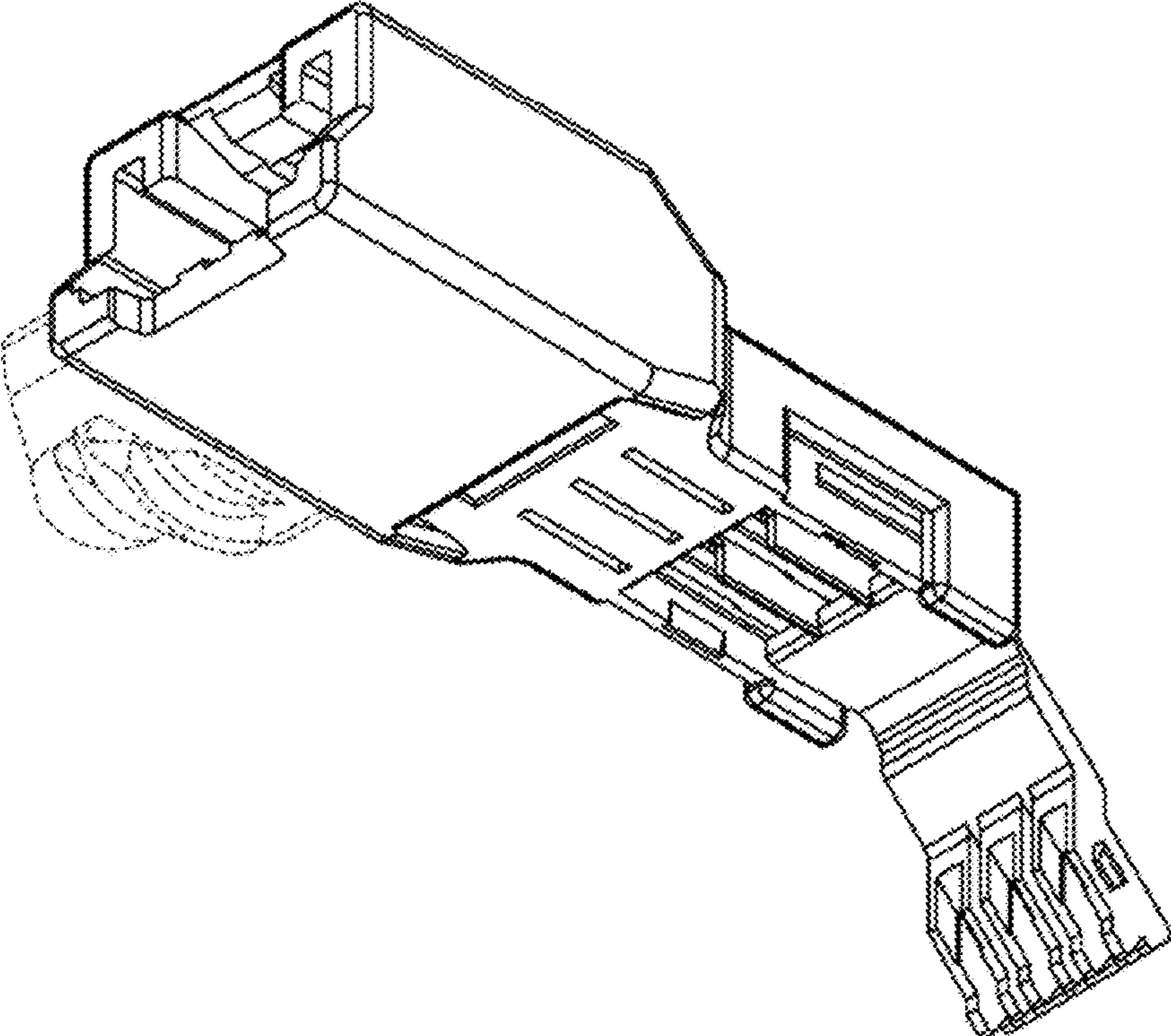


FIG. 10

