

US00D737211S

(12) **United States Design Patent**
Little et al.

(10) **Patent No.:** **US D737,211 S**
(45) **Date of Patent:** **** Aug. 25, 2015**

(54) **BOARD ELECTRICAL CONNECTOR**
(71) Applicant: **HON HAI PRECISION INDUSTRY CO., LTD.**, New Taipei (TW)
(72) Inventors: **Terrance F. Little**, Fullerton, CA (US);
Chih-Pi Cheng, New Taipei (TW);
Stephen Sedio, Valley Center, CA (US)

(73) Assignee: **FOXCONN INTERCONNECT TECHNOLOGY LIMITED**, Grand Cayman (KY)

(**) Term: **14 Years**

(21) Appl. No.: **29/478,834**

(22) Filed: **Jan. 9, 2014**

(51) **LOC (10) Cl.** **13-03**

(52) **U.S. Cl.**
USPC **D13/147**

(58) **Field of Classification Search**
USPC D13/146, 147, 154, 184, 199
See application file for complete search history.

(56) **References Cited**

U.S. PATENT DOCUMENTS

D521,934 S * 5/2006 Zhuang et al. D13/147
D522,459 S * 6/2006 Chen et al. D13/147

D524,737 S * 7/2006 Lai et al. D13/133
D524,744 S * 7/2006 Lai D13/147
D524,745 S * 7/2006 Su D13/147
D531,577 S * 11/2006 Su D13/147
D588,995 S * 3/2009 Wu et al. D13/147
D599,297 S * 9/2009 Chen D13/147
D602,440 S * 10/2009 Wu et al. D13/147
D637,161 S * 5/2011 Hou et al. D13/147

* cited by examiner

Primary Examiner — Daniel Bui

(74) *Attorney, Agent, or Firm* — Wei Te Chung; Ming Chieh Chang

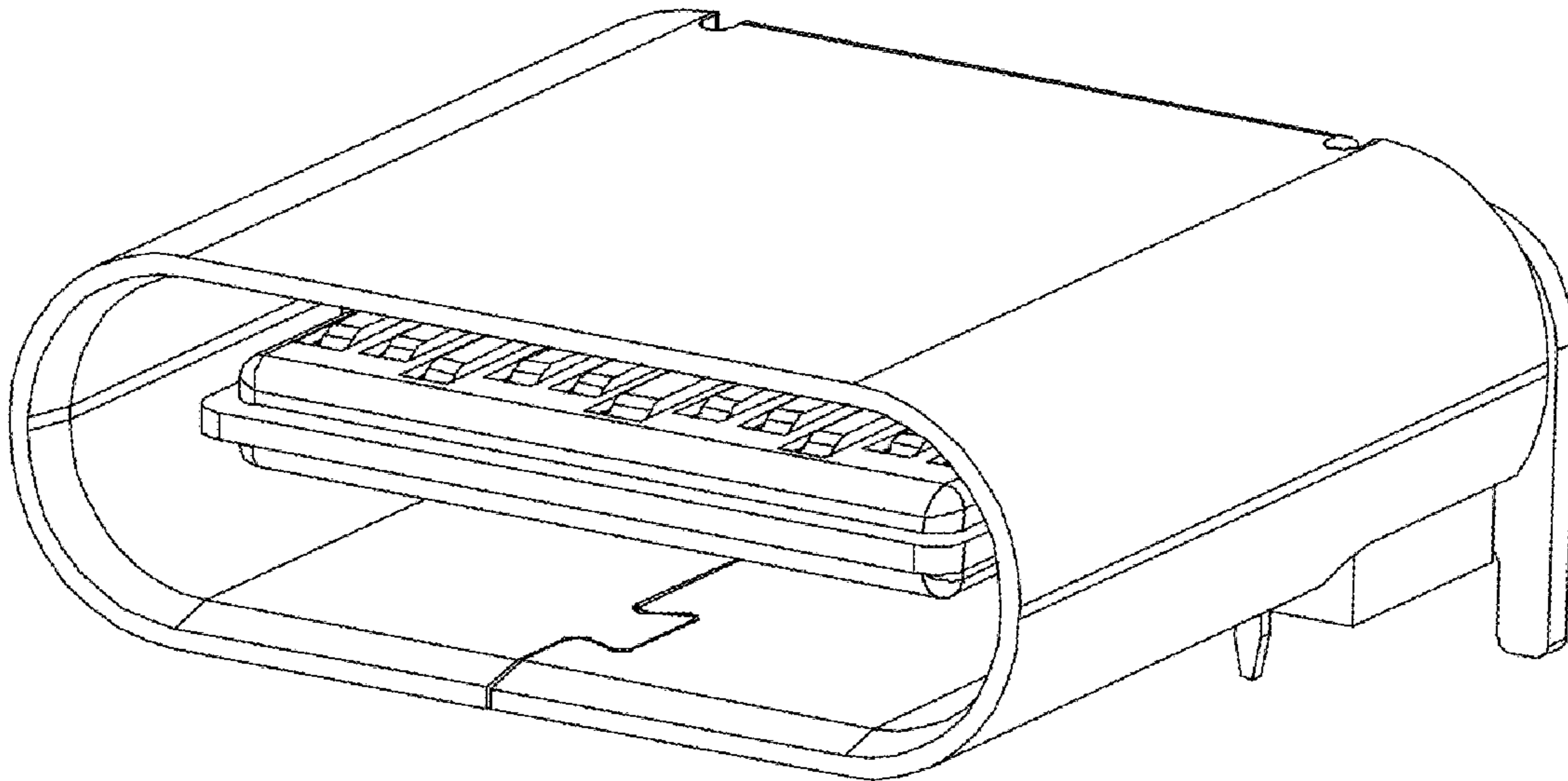
(57) **CLAIM**

The ornamental design for a board electrical connector, as shown.

DESCRIPTION

FIG. 1 is a front, top and right side perspective view of a board electrical connector showing our new design; FIG. 2 is a front elevational view thereof; FIG. 3 is a rear elevational view thereof; FIG. 4 is a left side elevational view thereof; FIG. 5 is a right side elevational view thereof; FIG. 6 is a top plan view thereof; and, FIG. 7 is a bottom plan view thereof. The broken line in FIG. 2 is included for the purpose of illustrating unclaimed environment only and forms no part of the claimed design.

1 Claim, 7 Drawing Sheets



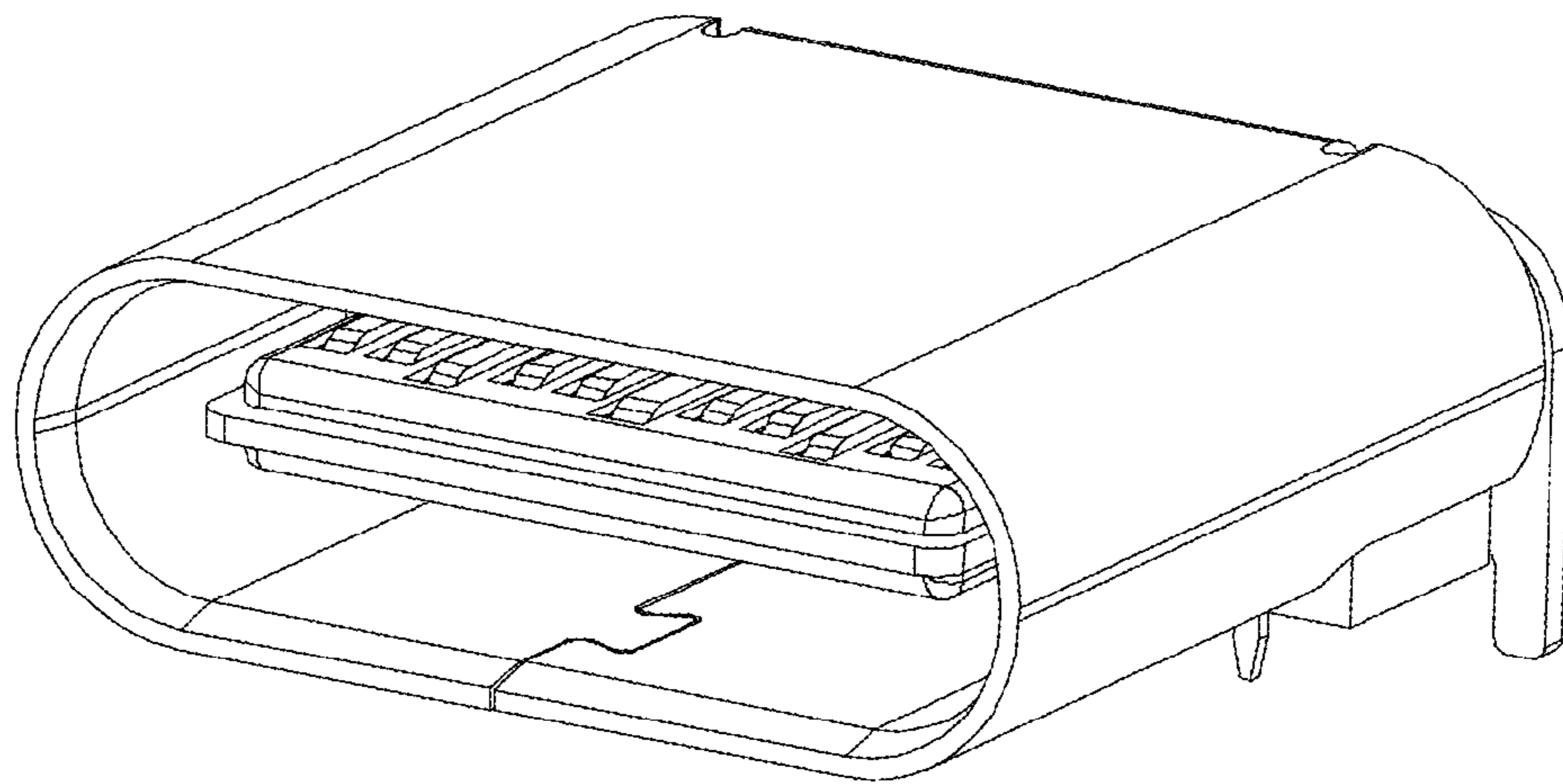


FIG. 1

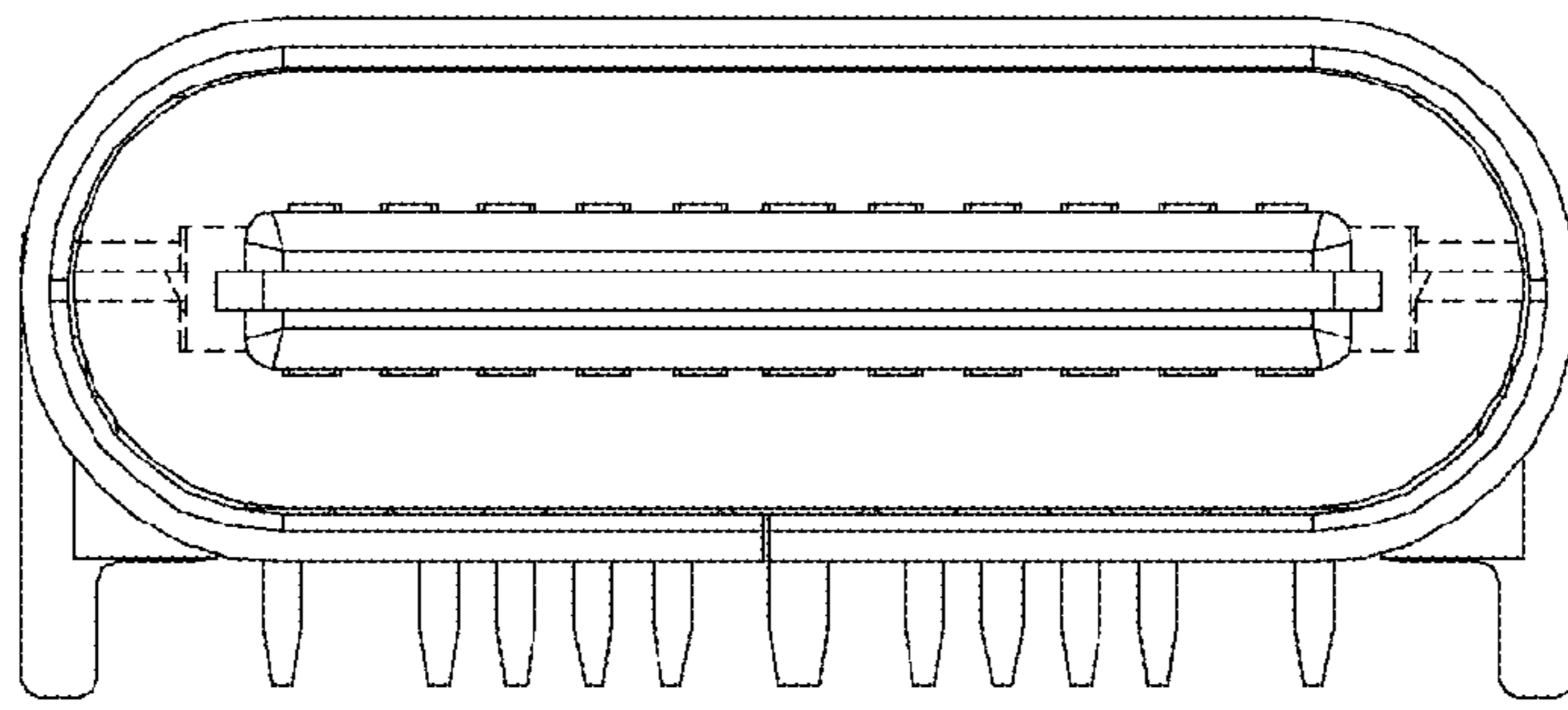


FIG. 2

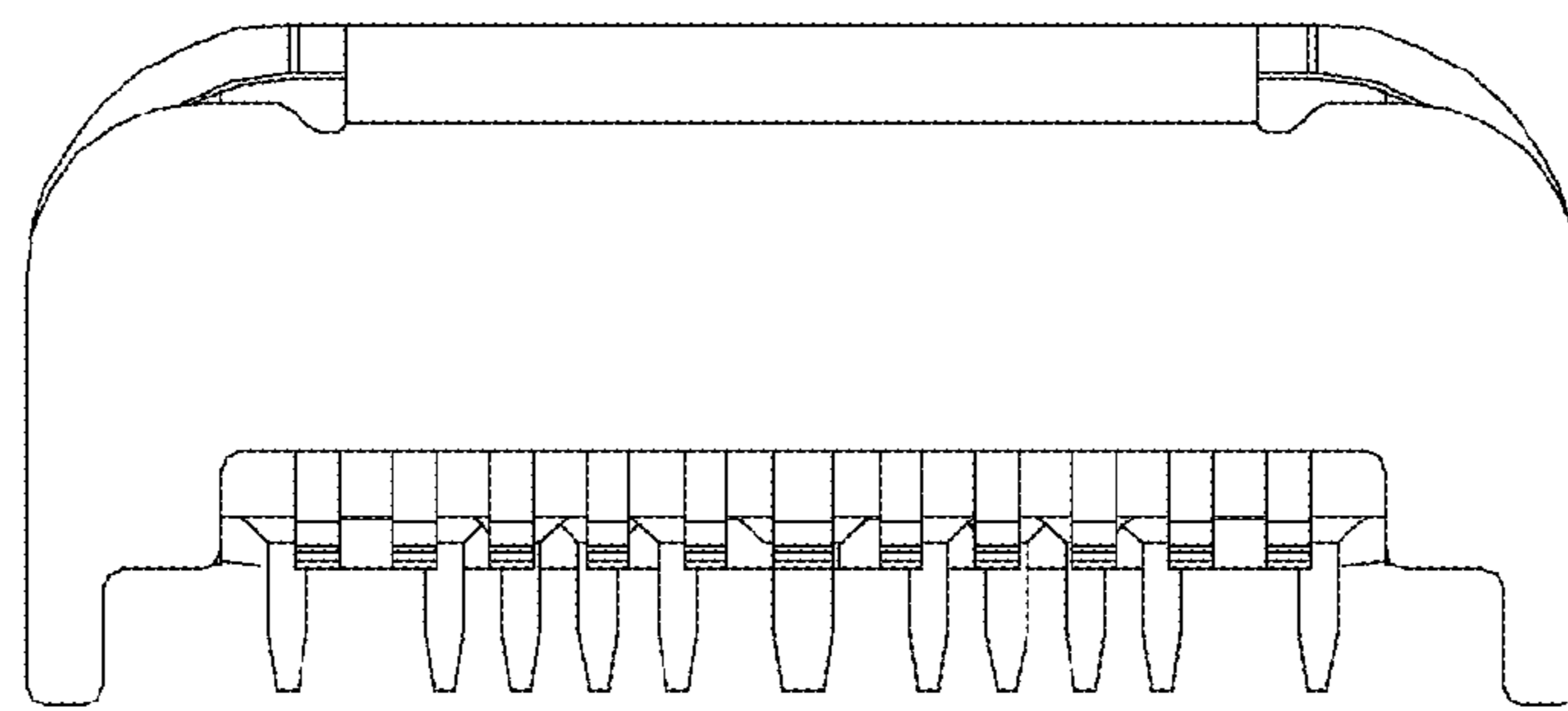


FIG. 3

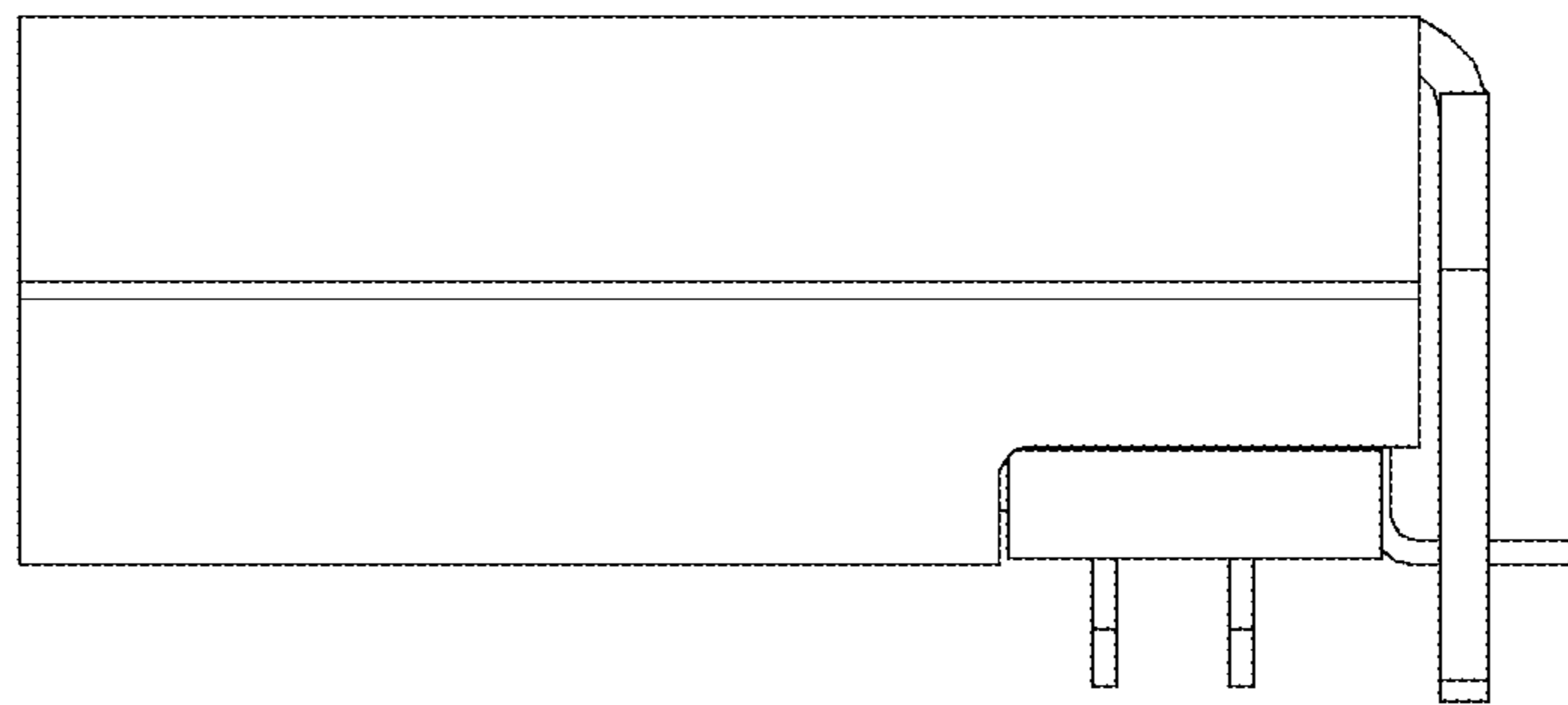


FIG. 4

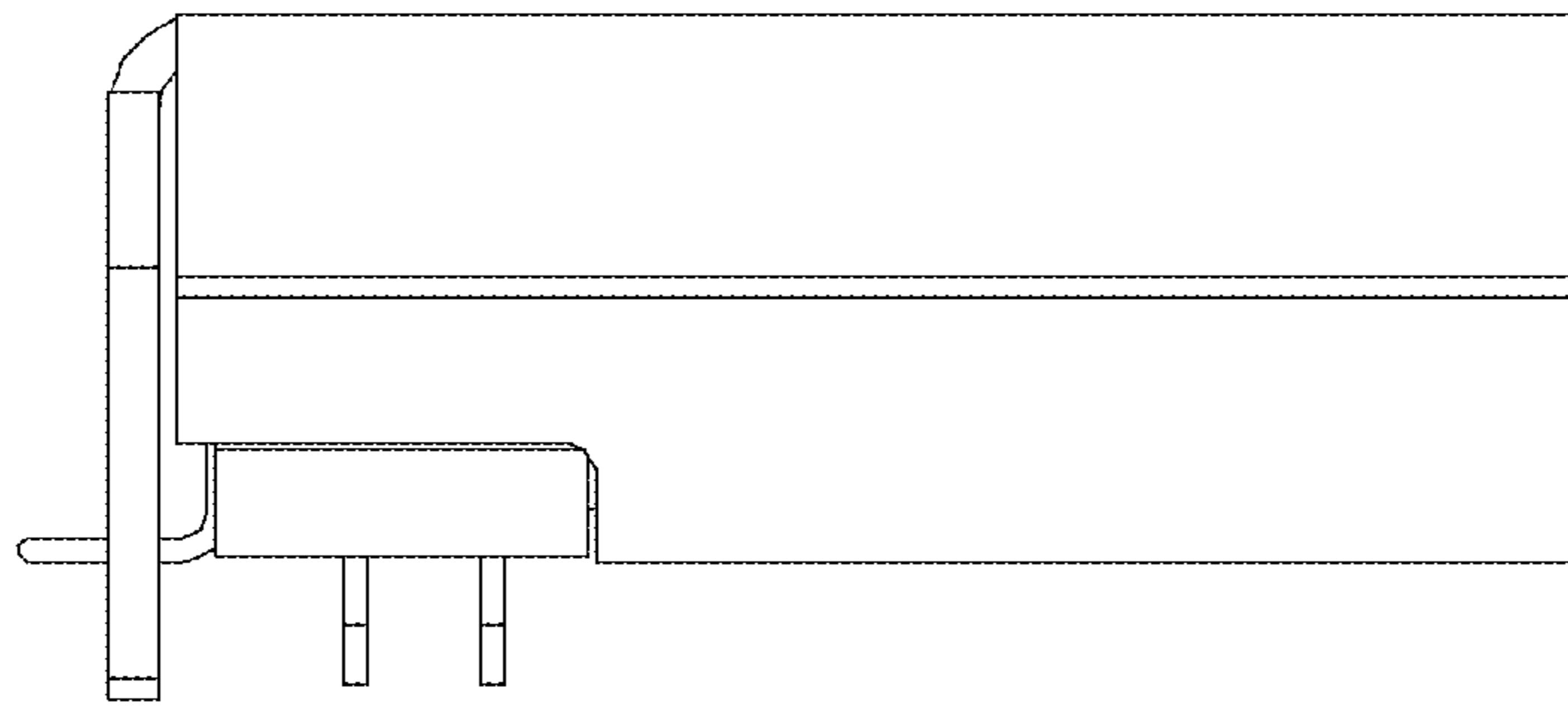


FIG. 5

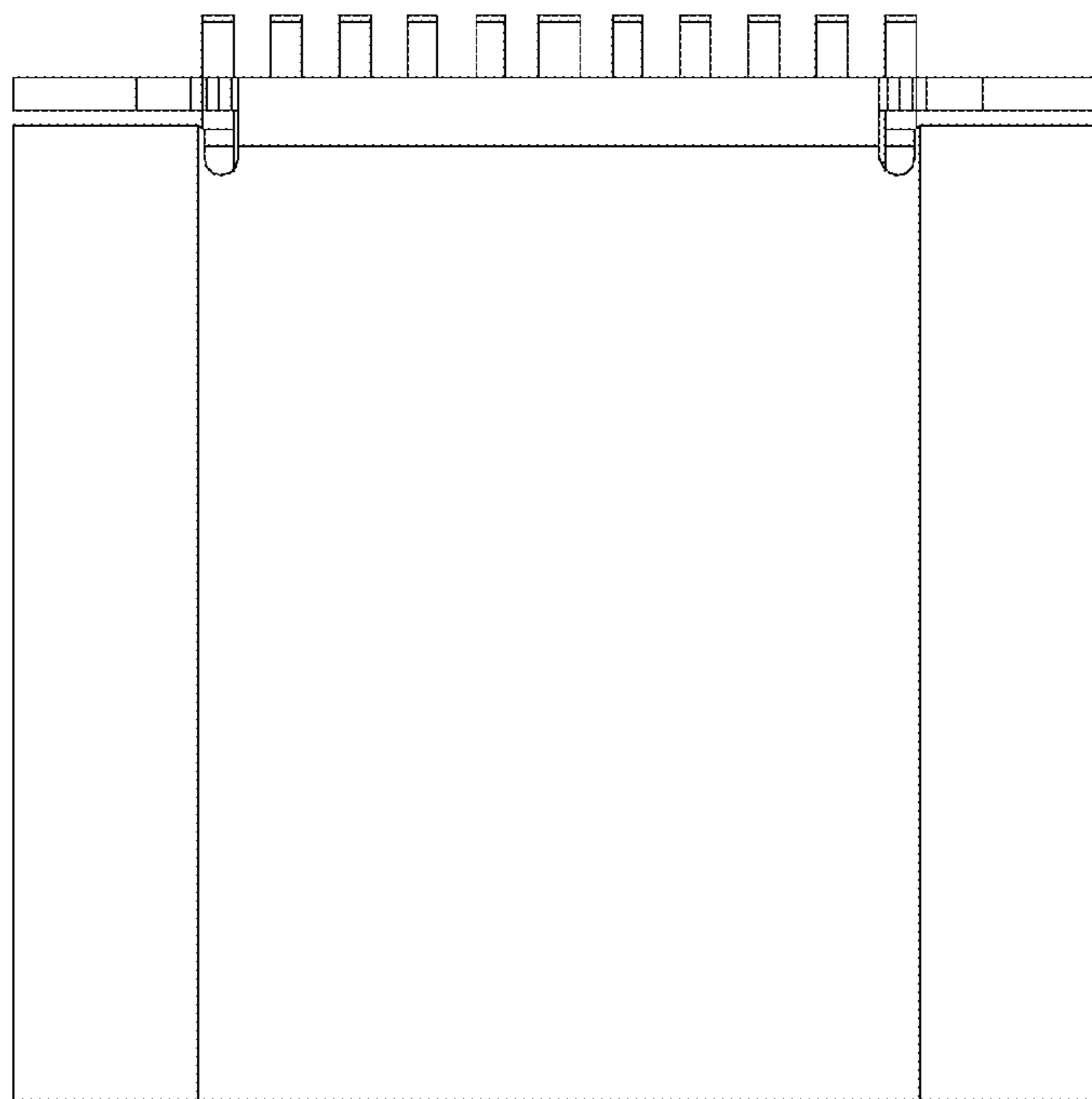


FIG. 6

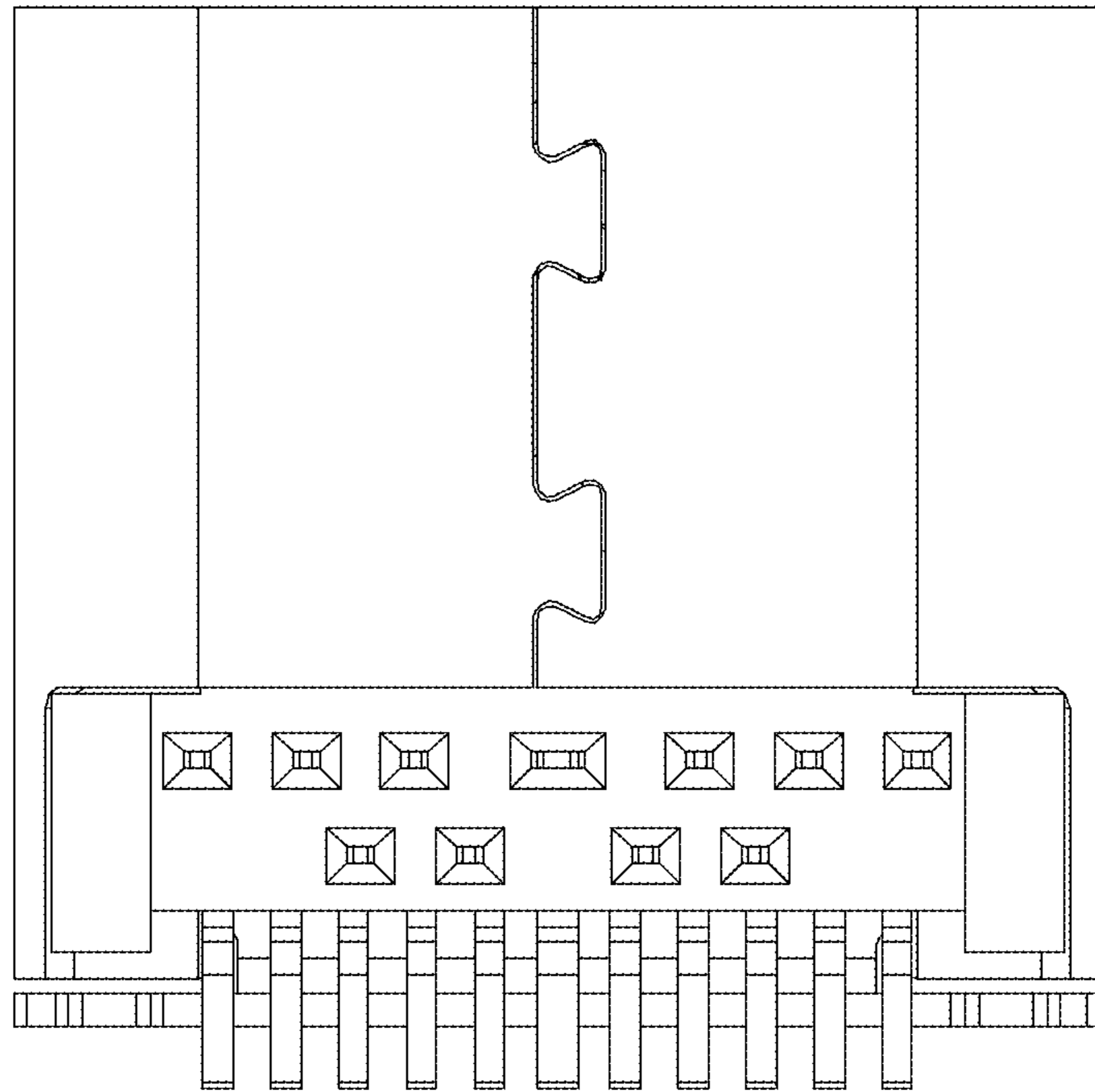


FIG. 7