



US00D737210S

(12) **United States Design Patent**  
**Pao et al.**

(10) **Patent No.:** **US D737,210 S**

(45) **Date of Patent:** **\*\* Aug. 25, 2015**

(54) **MALE CONNECTOR**

(71) Applicant: **TOPCONN ELECTRONIC (KUNSHAN) CO., LTD.**, Suzhou, Jiangsu Province (CN)

(72) Inventors: **Chung-Nan Pao**, New Taipei (TW); **Xiao-Yin Wang**, Suzhou (CN); **Yu-Hsiung Lin**, New Taipei (TW)

(73) Assignee: **TOPCONN ELECTRONIC (KUNSHAN) CO., LTD.**, Suzhou, Jiangsu Province (CN)

(\*\*) Term: **14 Years**

(21) Appl. No.: **29/473,310**

(22) Filed: **Nov. 21, 2013**

(30) **Foreign Application Priority Data**

Sep. 6, 2013 (TW) ..... 102306014

(51) **LOC (10) Cl.** ..... **13-03**

(52) **U.S. Cl.**  
USPC ..... **D13/147**

(58) **Field of Classification Search**  
USPC ..... D13/147, 154, 184, 199  
See application file for complete search history.

(56) **References Cited**

**U.S. PATENT DOCUMENTS**

6,461,202 B2 \* 10/2002 Kline ..... 439/701  
D550,628 S \* 9/2007 Whiteman et al. .... D13/147

7,278,856 B2 \* 10/2007 Minich ..... 439/65  
7,549,897 B2 \* 6/2009 Fedder et al. .... 439/751  
D712,841 S \* 9/2014 Buck et al. .... D13/154  
2010/0035454 A1 \* 2/2010 Morgan et al. .... 439/296  
2010/0048058 A1 \* 2/2010 Morgan et al. .... 439/607.05  
2010/0136844 A1 \* 6/2010 Pan et al. .... 439/660  
2012/0214343 A1 \* 8/2012 Buck et al. .... 439/607.05

\* cited by examiner

*Primary Examiner* — Daniel Bui

(74) *Attorney, Agent, or Firm* — Li & Cai Intellectual Property (USA) Office

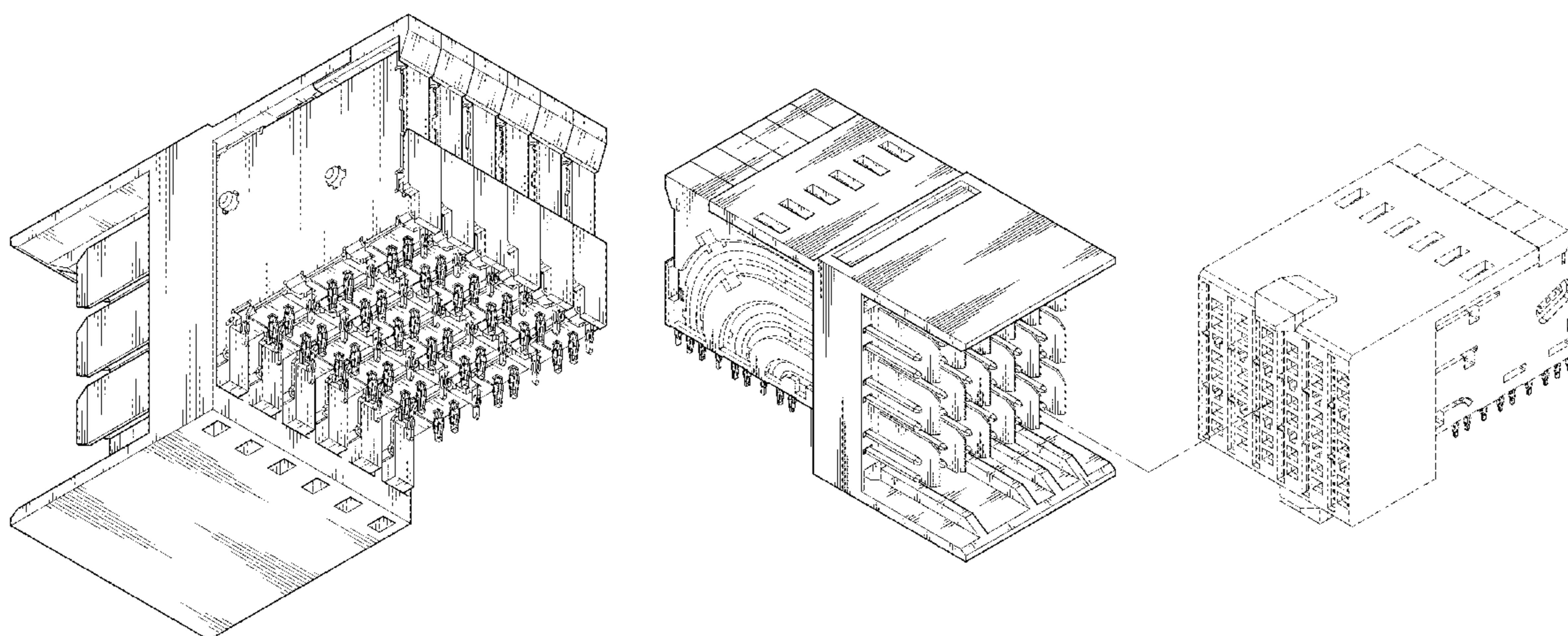
(57) **CLAIM**

The ornamental design for a “male connector,” as shown and described.

**DESCRIPTION**

FIG. 1 is a front, top and right side perspective view of a “male connector” showing our new design; FIG. 2 is a front elevation view thereof; FIG. 3 is a rear elevation view thereof; FIG. 4 is a left side elevation view thereof; FIG. 5 is a right side elevation view thereof; FIG. 6 is a top plan view thereof; FIG. 7 is a bottom view thereof; FIG. 8 is a rear, bottom, and left side perspective view thereof; FIG. 9 is a front, top and right side perspective view thereof, in use condition; and, FIG. 10 is a front elevation side view thereof. The broken line in the figure drawing views is included to show unclaimed environment only and forms no part of the claimed design.

**1 Claim, 10 Drawing Sheets**



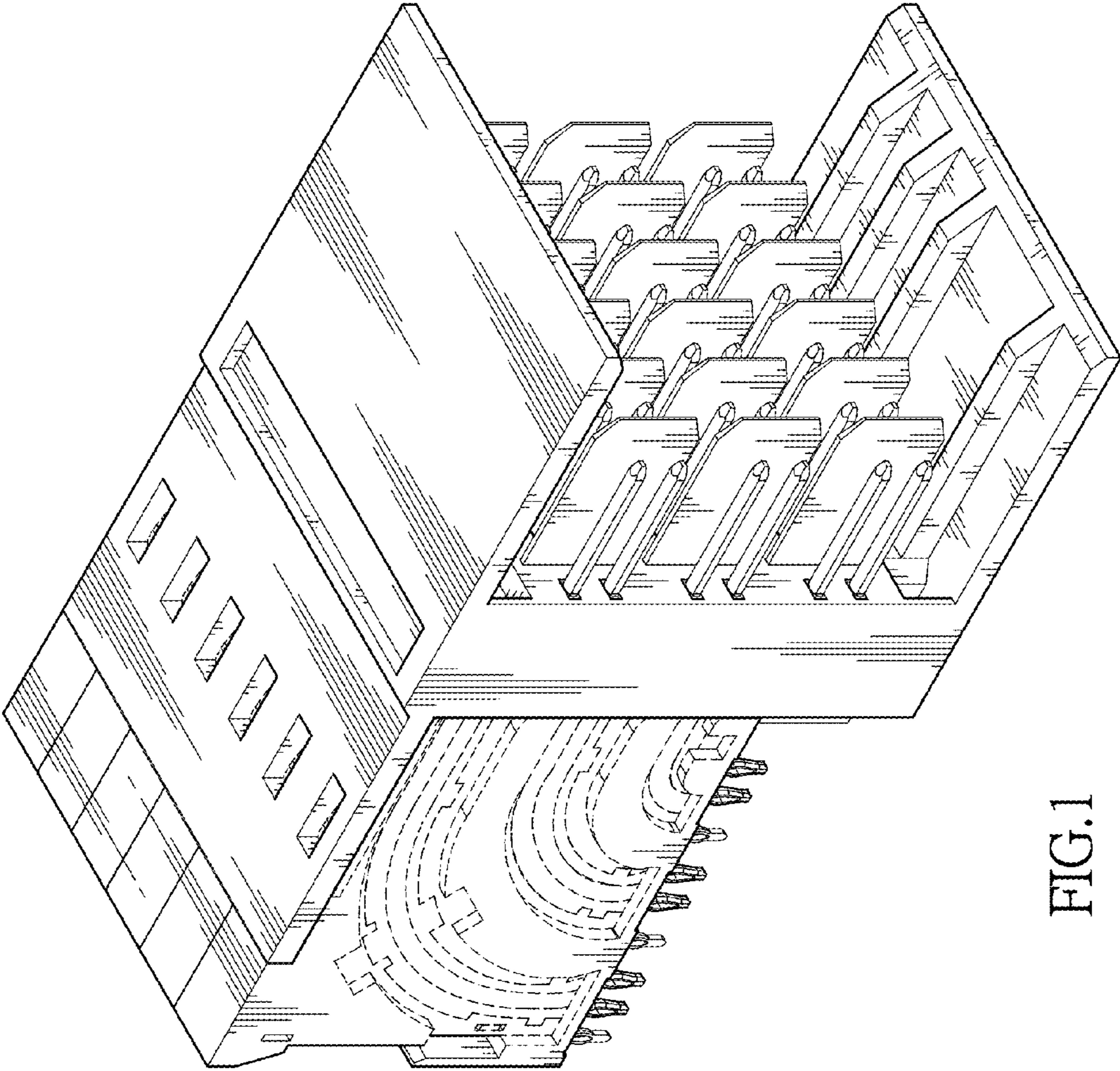


FIG.1

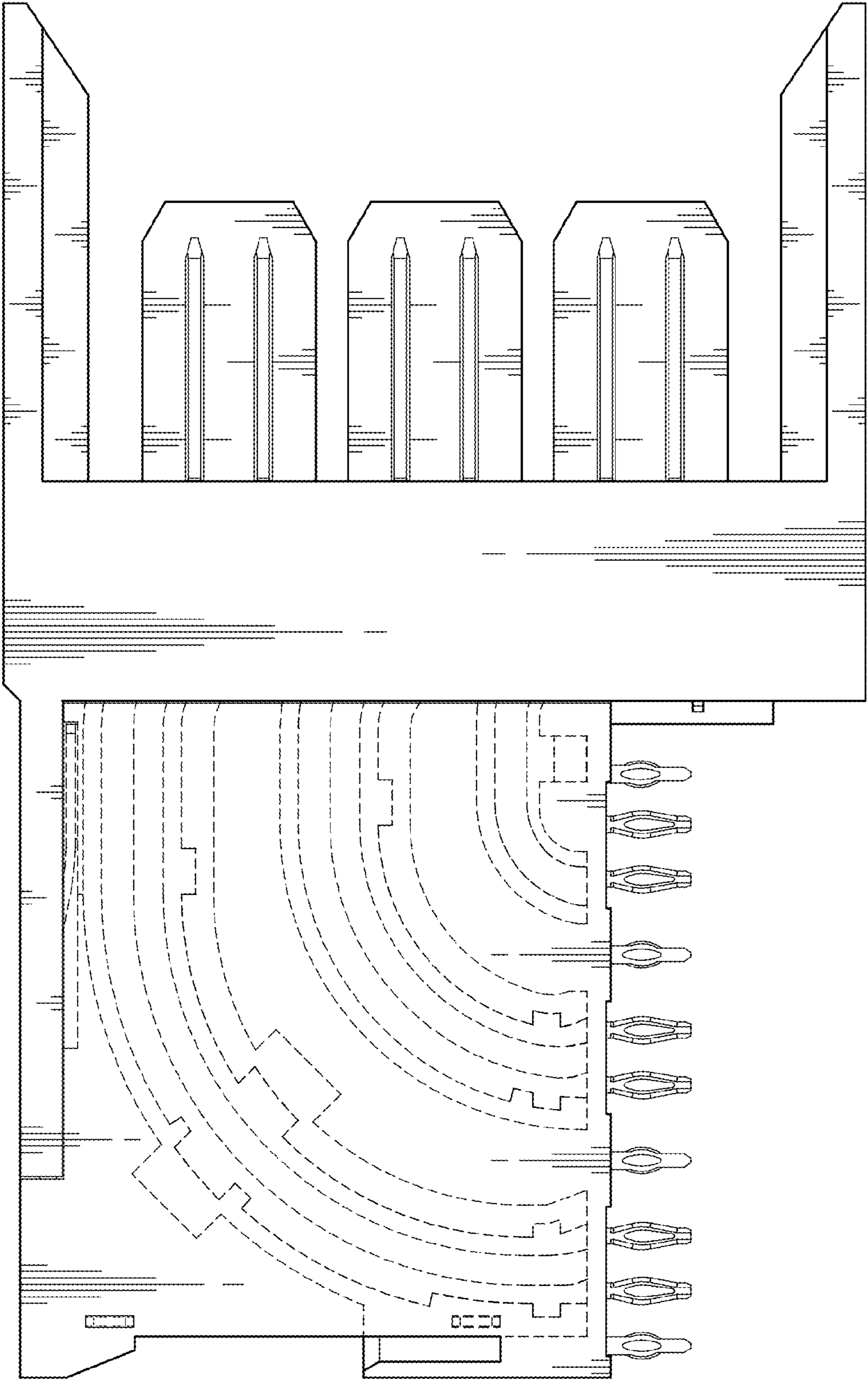


FIG.2

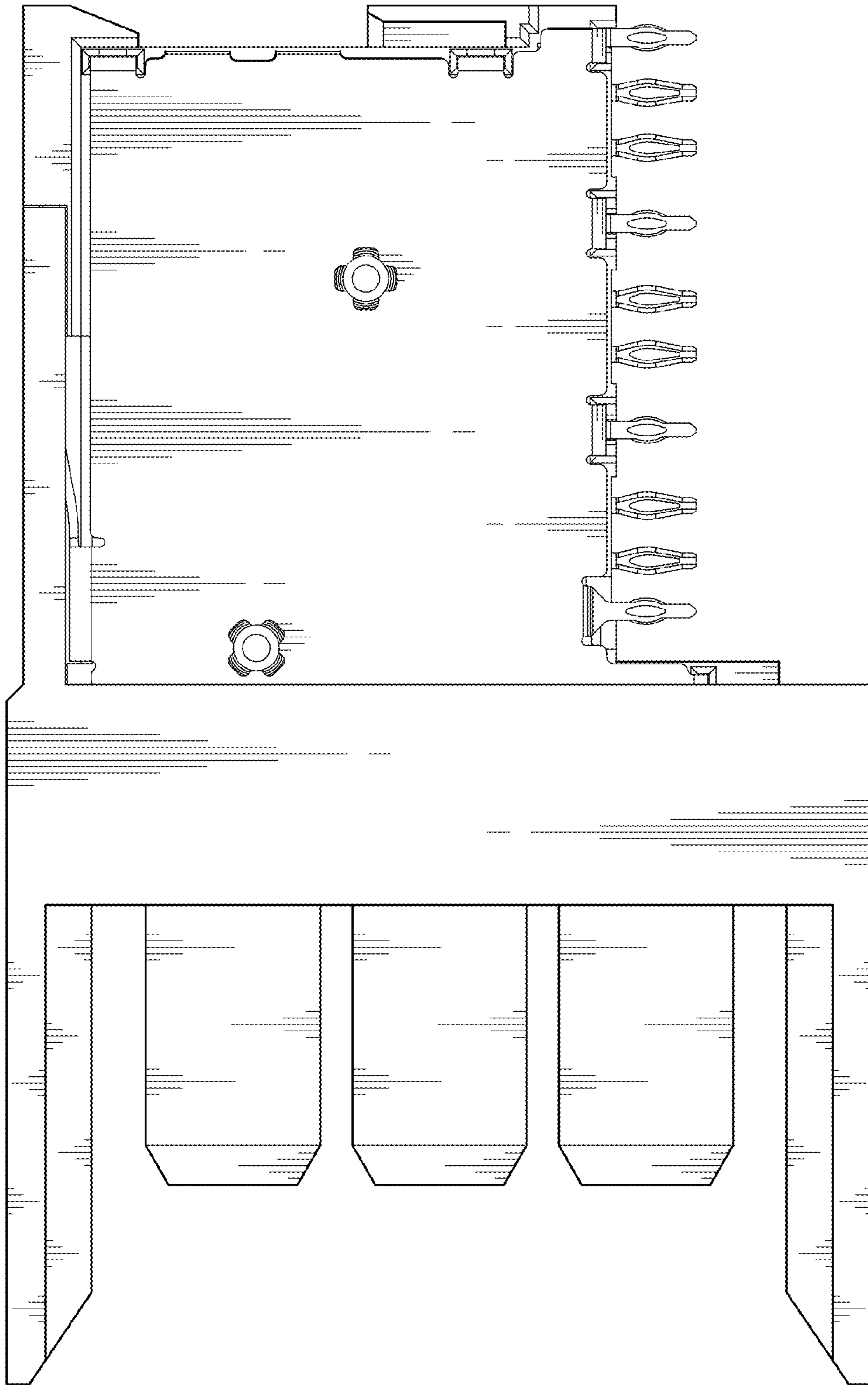


FIG. 3

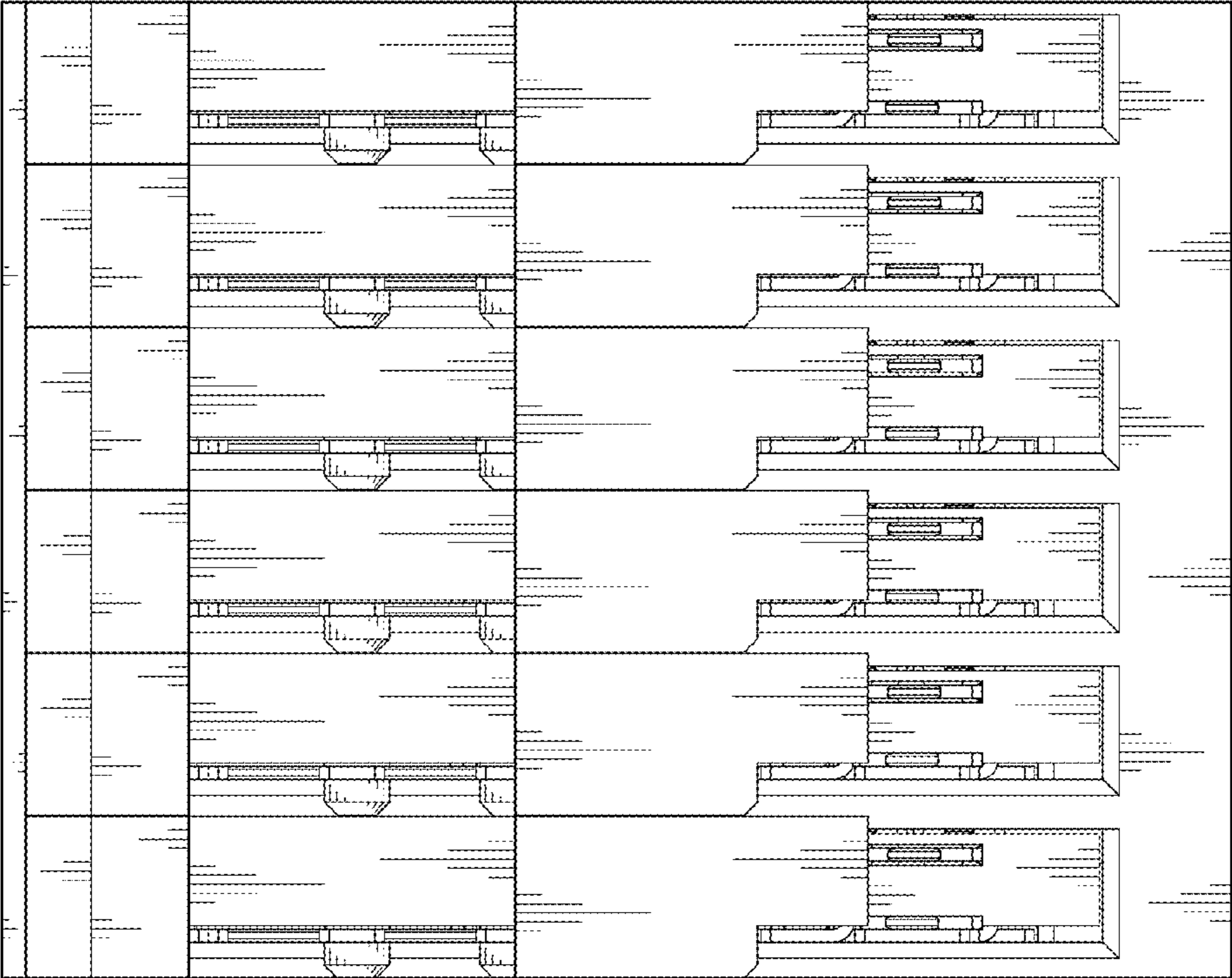


FIG. 4

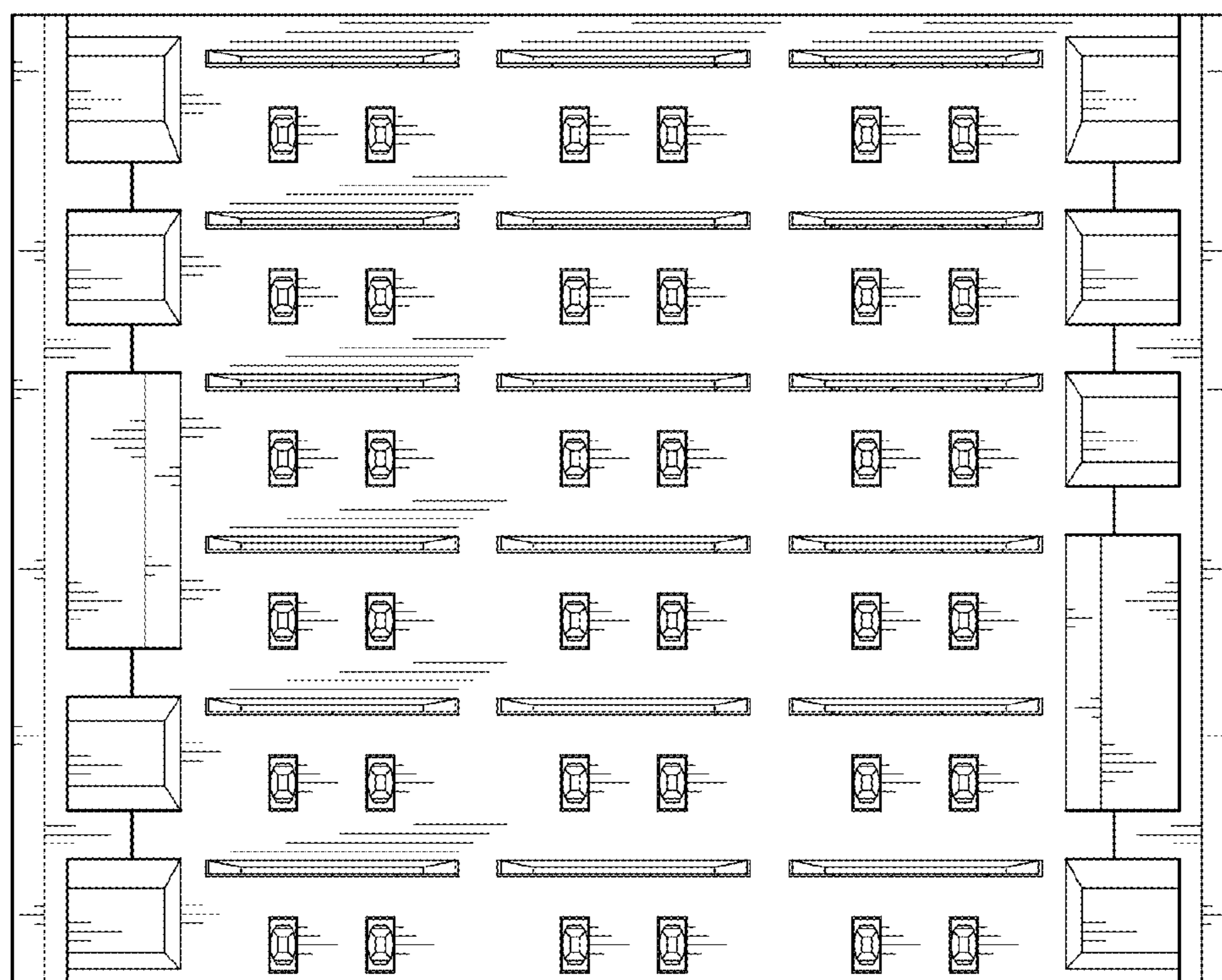


FIG. 5

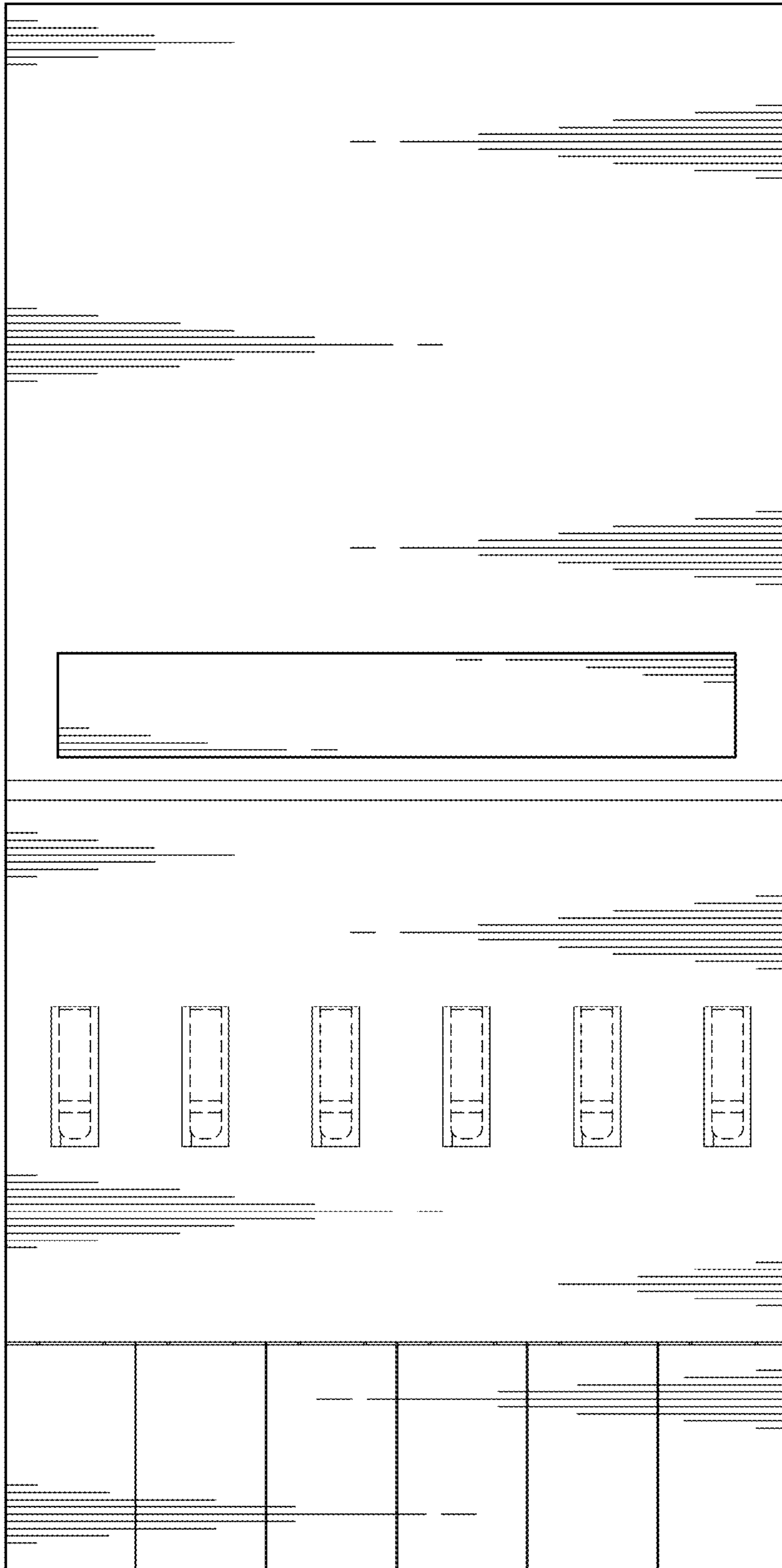


FIG.6

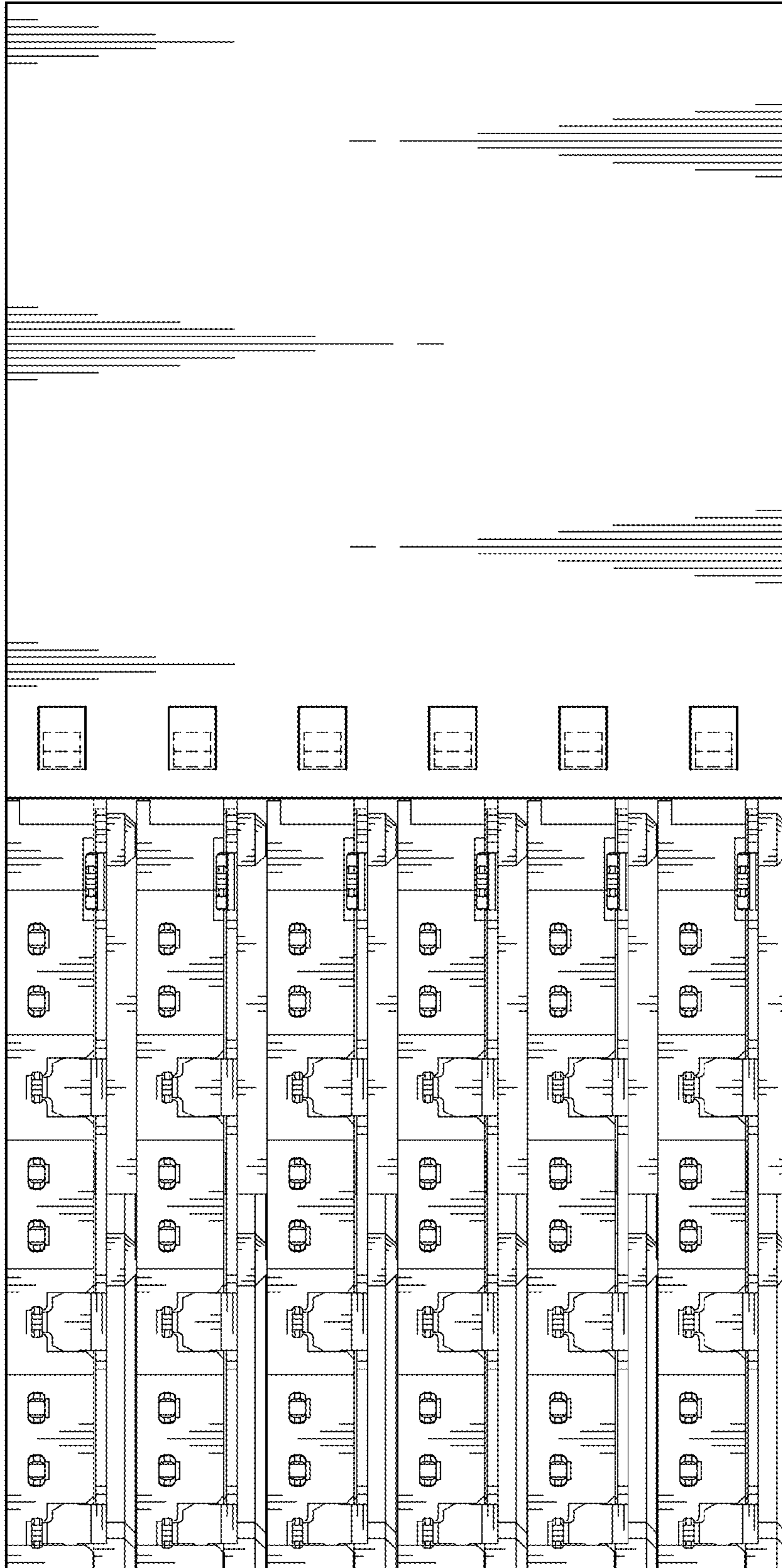


FIG. 7



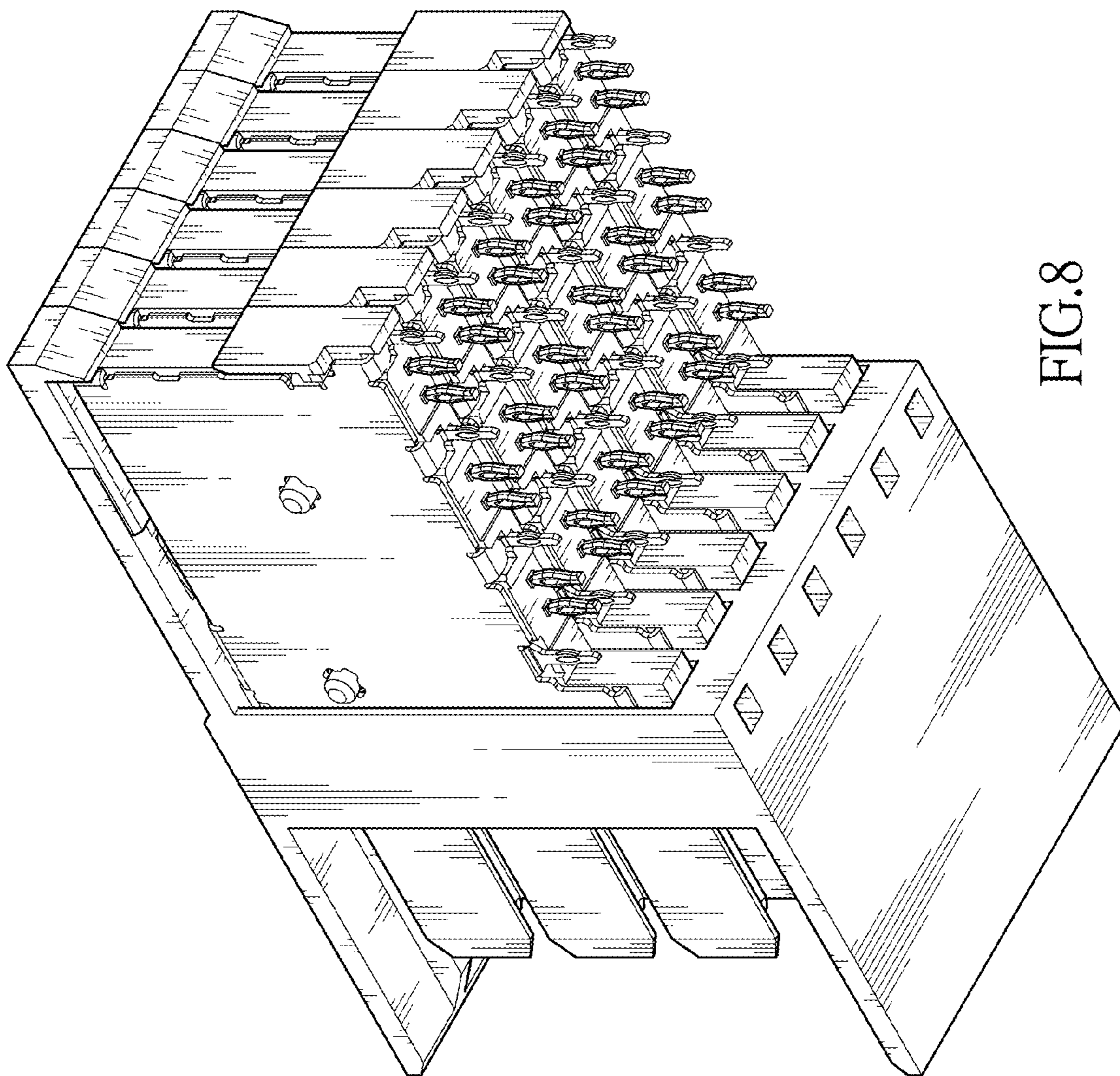


FIG.8

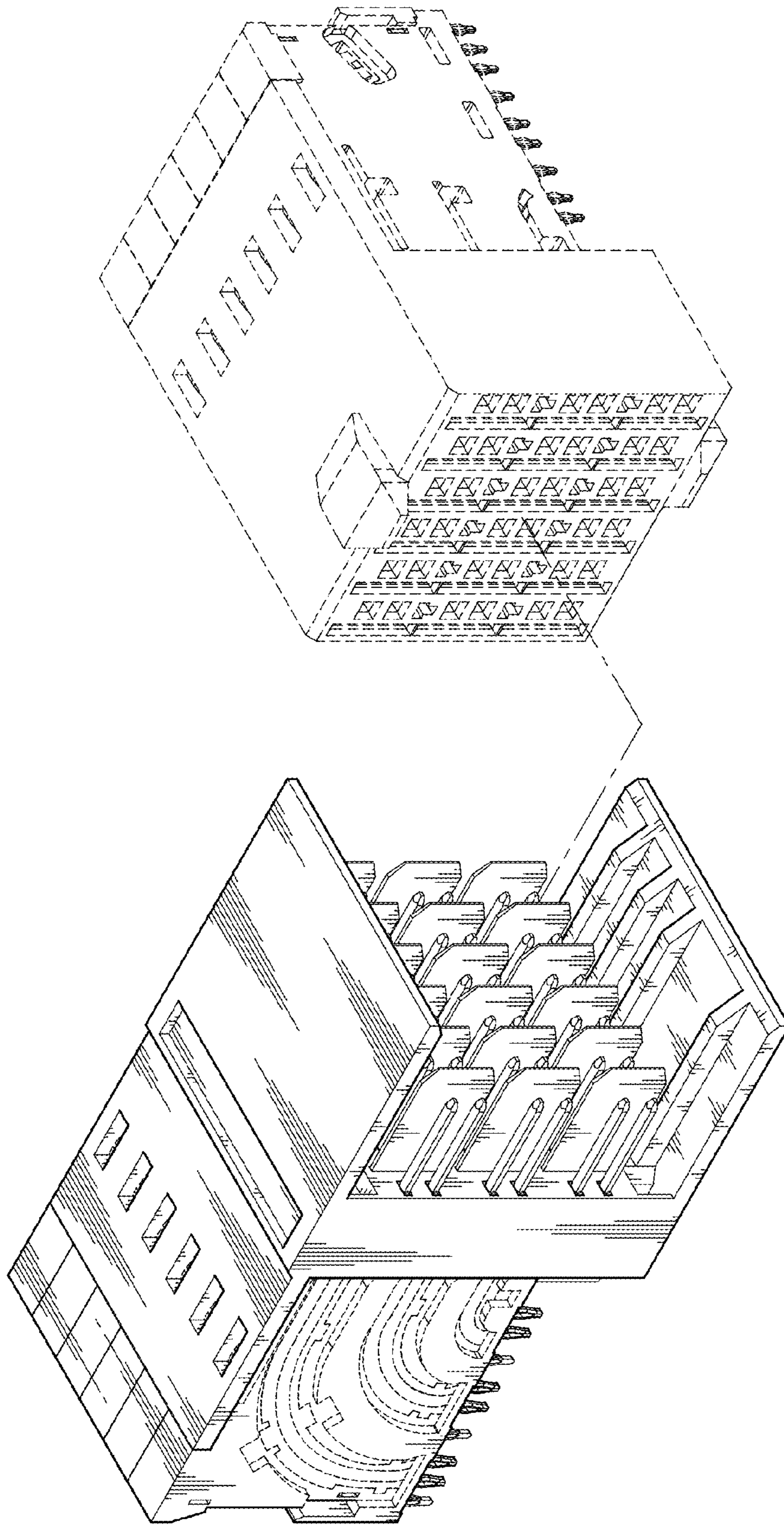


FIG.9

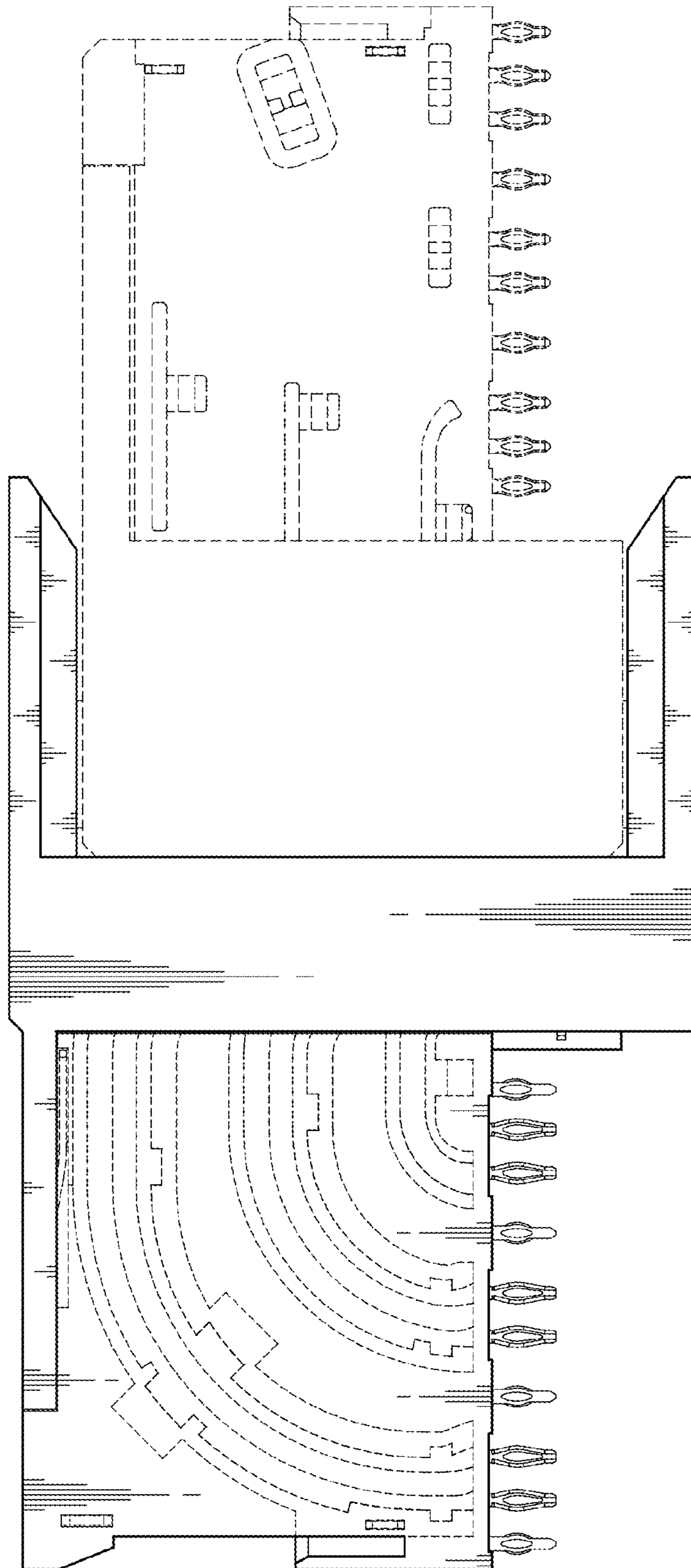


FIG.10