



US00D737207S

(12) **United States Design Patent**
Fletcher

(10) **Patent No.:** **US D737,207 S**

(45) **Date of Patent:** **** Aug. 25, 2015**

- (54) **RECEPTACLE PLUG WITH GRIP**
- (71) Applicant: **Bryan Fletcher**, Lodi, CA (US)
- (72) Inventor: **Bryan Fletcher**, Lodi, CA (US)
- (73) Assignee: **Valterra Products, LLC.**, Mission Hills, CA (US)

- D592,139 S * 5/2009 Wu D13/138.2
- D592,141 S * 5/2009 Mancari et al. D13/139.1
- D602,434 S * 10/2009 Mancari et al. D13/139.1
- D614,571 S * 4/2010 Wu D13/138.2
- D635,515 S * 4/2011 Atwell et al. D13/138.2
- D638,359 S * 5/2011 Atwell et al. D13/138.2
- D660,235 S * 5/2012 Liang-Hsu et al. D13/138.2
- D664,095 S * 7/2012 Benedict et al. D13/138.2
- D667,791 S * 9/2012 Angel et al. D13/133
- D667,792 S * 9/2012 Angel et al. D13/133

(**) Term: **14 Years**

* cited by examiner

(21) Appl. No.: **29/471,742**

Primary Examiner — Holly Baynham

(22) Filed: **Nov. 4, 2013**

Assistant Examiner — Rhea Shields

(51) **LOC (10) Cl.** **13-03**

(74) *Attorney, Agent, or Firm* — Tracy M. Heims; Apex Juris pllc

(52) **U.S. Cl.**
USPC **D13/138.2**

(58) **Field of Classification Search**
USPC D13/138.2, 138.1, 137.1–137.4, 118,
D13/123, 156, 184, 199, 133; 363/15, 34,
363/146; 439/105–107, 650–653; 174/42,
174/45, 50, 54, 53
CPC H02M 5/4585; H02G 7/14; H02G 3/088;
H01L 2924/01079
See application file for complete search history.

(57) **CLAIM**

The ornamental design for a receptacle plug with grip, as shown and described.

DESCRIPTION

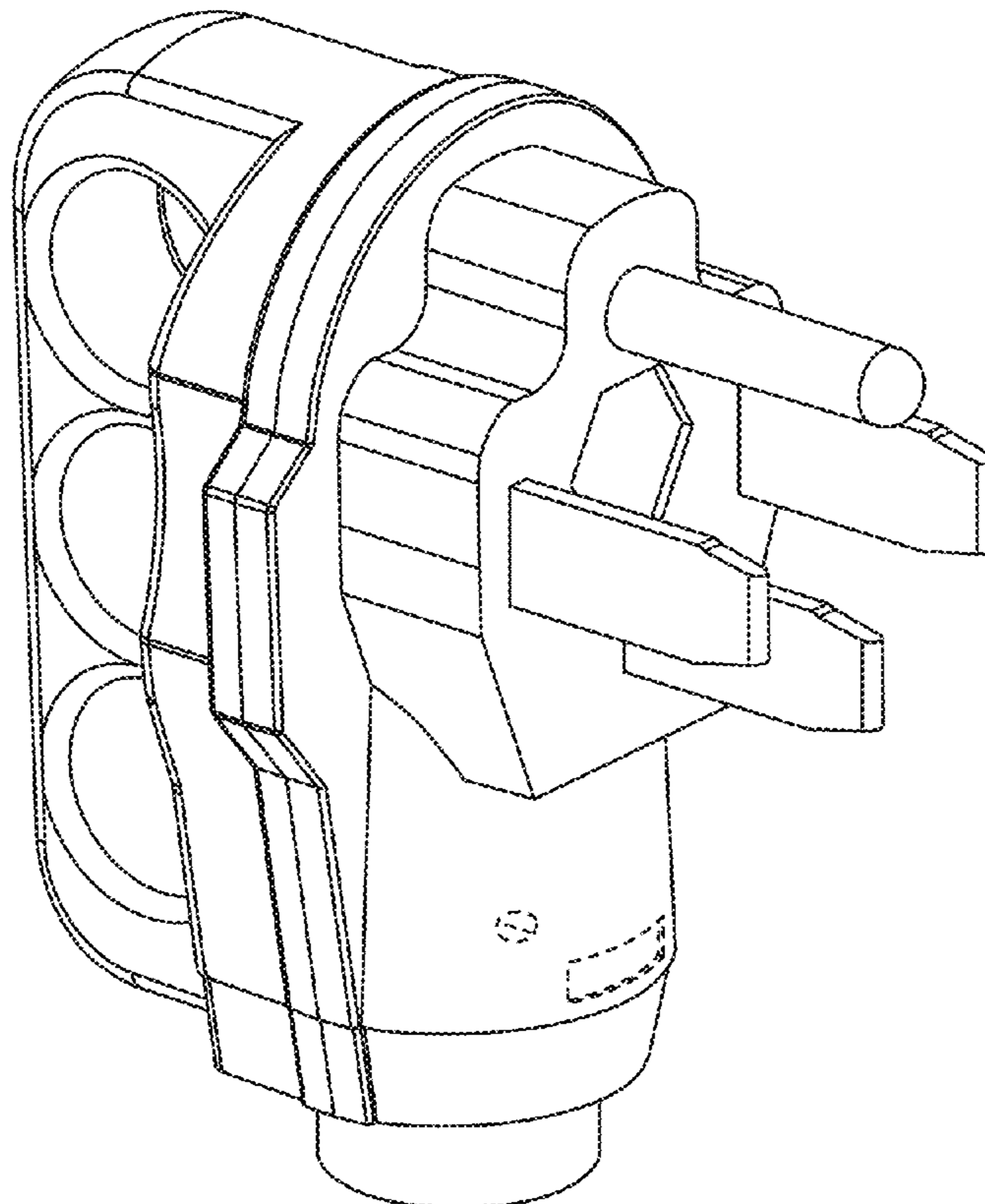
FIG. 1 is a perspective view of a receptacle plug with grip embodying the design;
FIG. 2 is a top view of the receptacle plug with grip thereof;
and,
FIG. 3 is a back view of the receptacle plug with grip thereof.
Any broken lines depict unclaimed subject matter and form no part of the claimed design.

(56) **References Cited**

U.S. PATENT DOCUMENTS

- D549,651 S * 8/2007 Mancari et al. D13/138.2
- D586,296 S * 2/2009 Liu D13/138.2

1 Claim, 3 Drawing Sheets



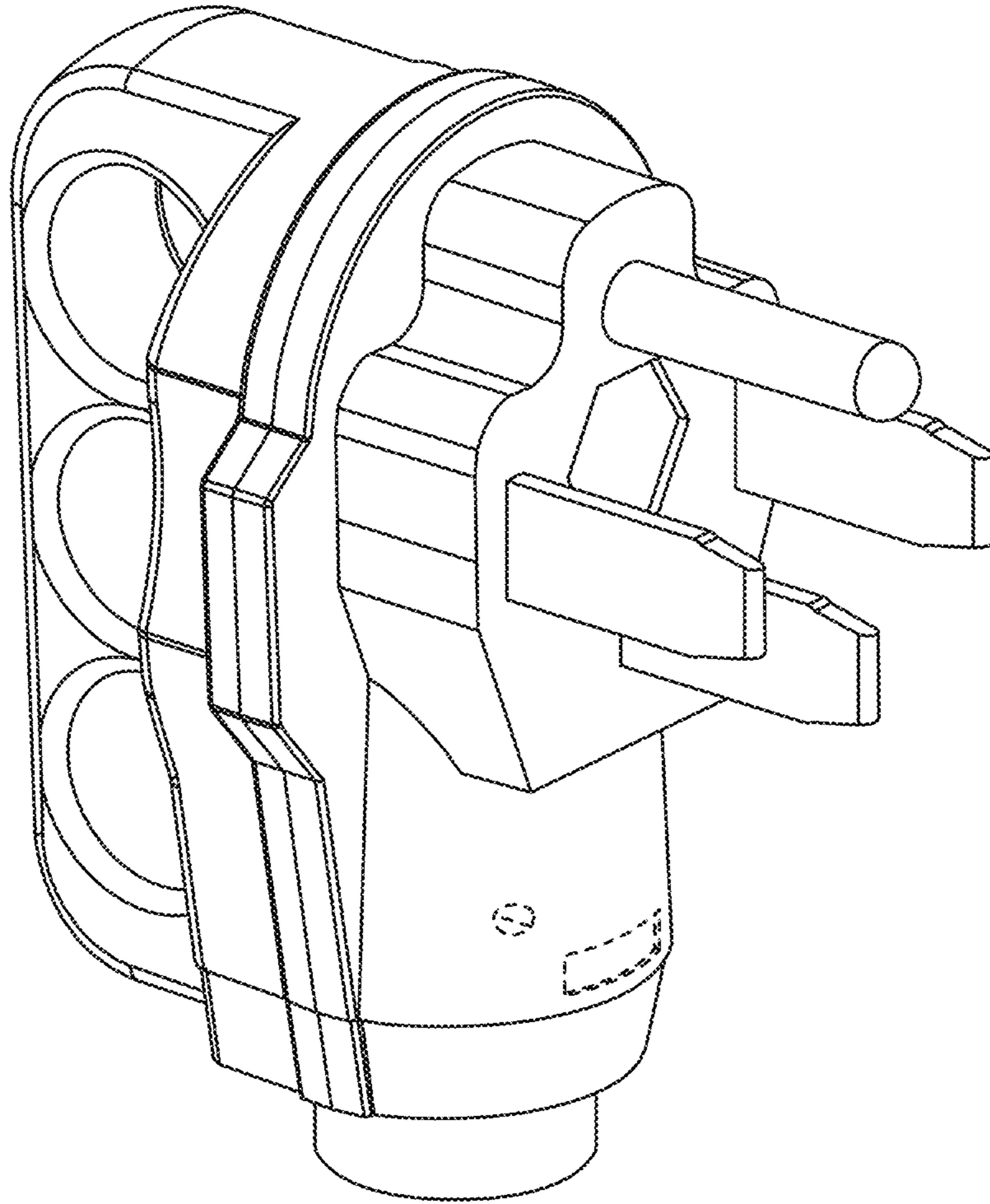


FIG. 1

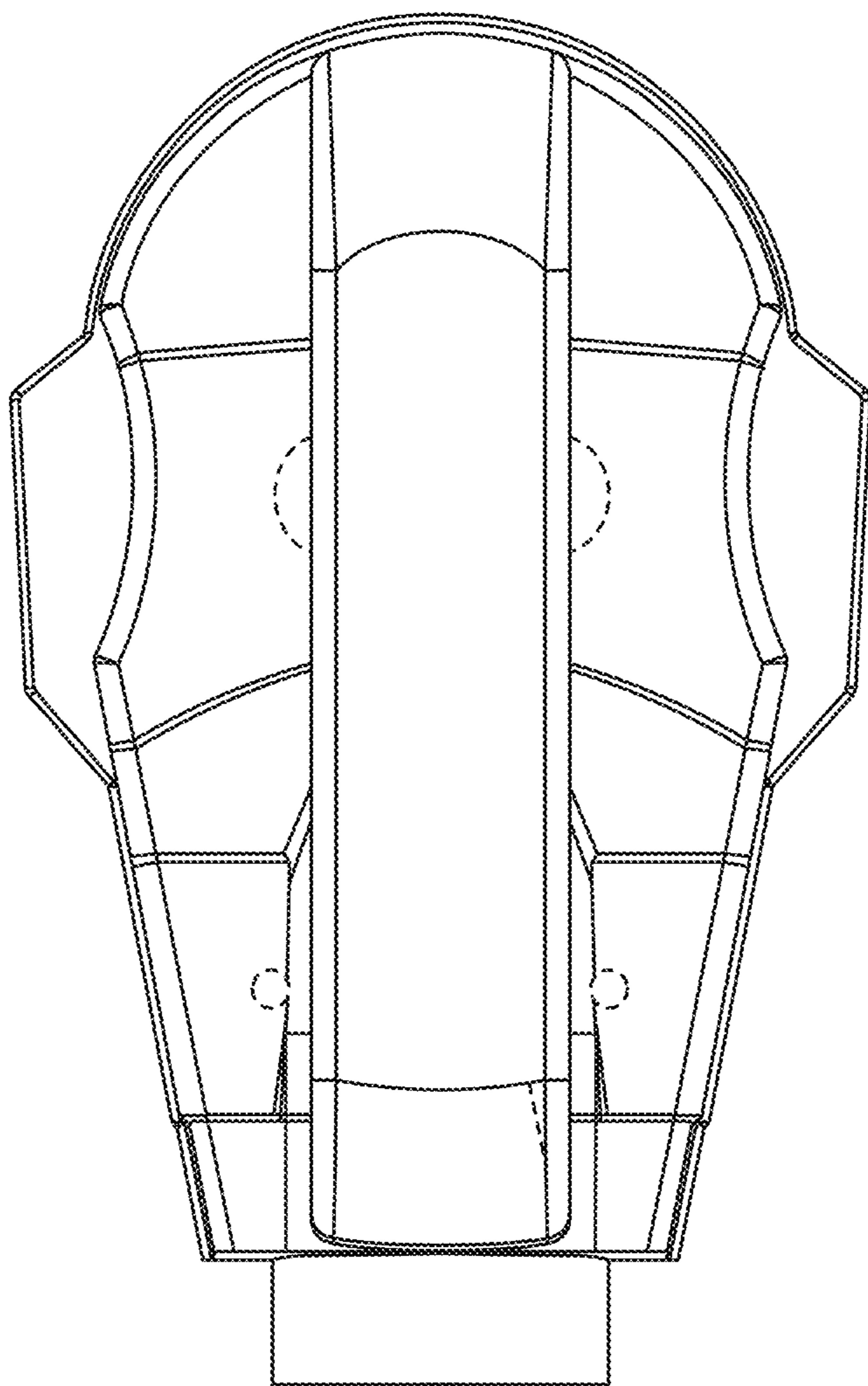


FIG. 2

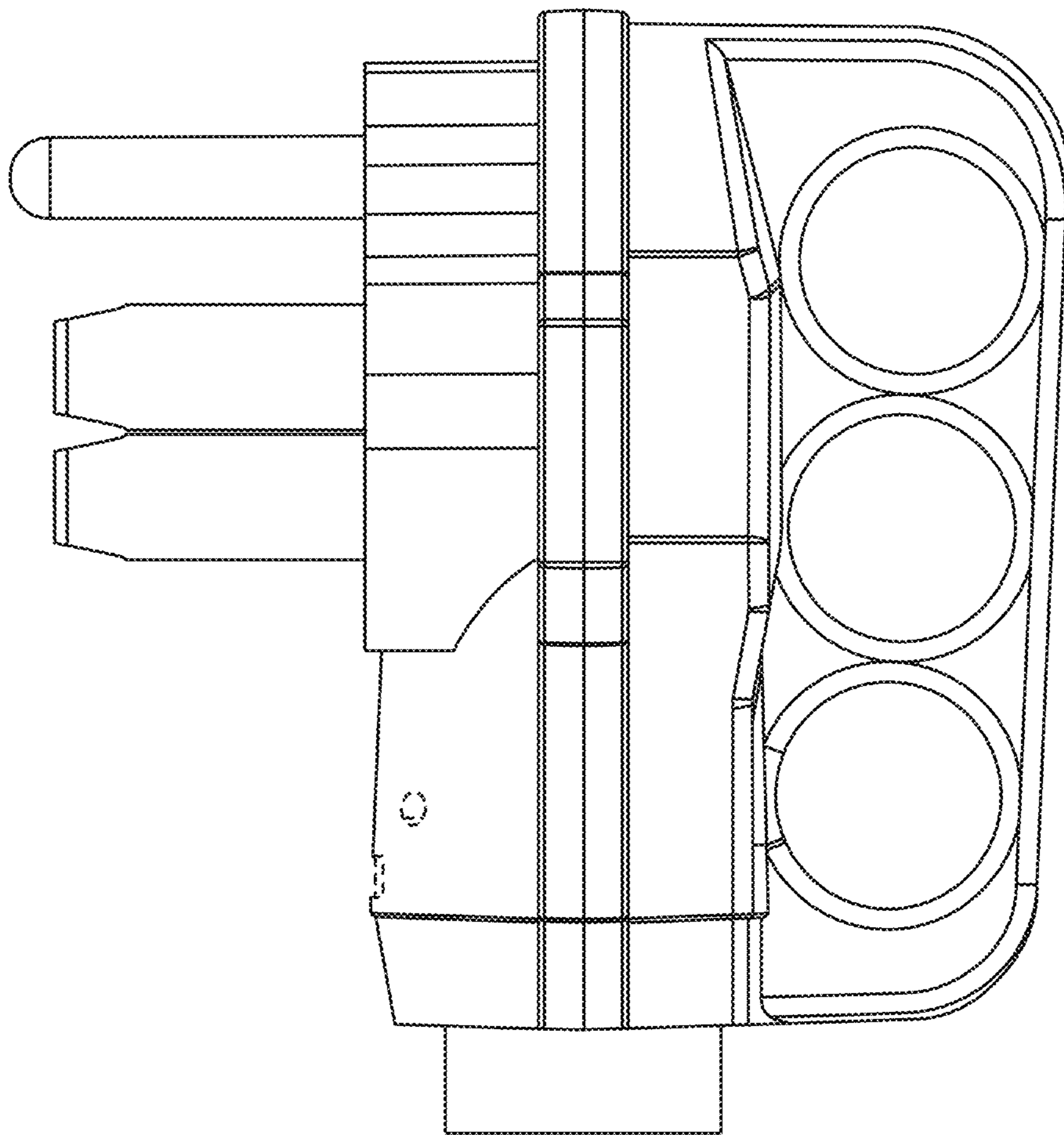


FIG. 3