



US00D737205S

(12) **United States Design Patent**
Hoppmann et al.

(10) **Patent No.:** **US D737,205 S**

(45) **Date of Patent:** **** Aug. 25, 2015**

(54) **ELECTRICAL CONNECTOR**

(56) **References Cited**

(71) Applicant: **Phoenix Contact GmbH & Co. KG**,
Blomberg (DE)

U.S. PATENT DOCUMENTS

(72) Inventors: **Ralph Hoppmann**, Bad Oeynhausen
(DE); **Martin Gebhardt**, Porta
Westfalica (DE); **Detlef Toeberich**,
Luegde (DE); **Holger Steinhage**,
Steinheim (DE)

D496,631 S *	9/2004	Wu	D13/133
D550,625 S *	9/2007	Osborn et al.	D13/133
D550,626 S *	9/2007	Osborn et al.	D13/133
D568,245 S *	5/2008	Kudo	D13/133
D569,343 S *	5/2008	Hung et al.	D13/133
D582,348 S *	12/2008	Shiu	D13/154
D634,273 S *	3/2011	Damon	D13/120

* cited by examiner

(73) Assignee: **PHOENIX CONTACT GMBH & CO.**
KG, Blomberg (DE)

Primary Examiner — Ian Simmons

Assistant Examiner — Khawaja Anwar

(**) Term: **14 Years**

(74) *Attorney, Agent, or Firm* — Leydig, Voit & Mayer, Ltd.

(21) Appl. No.: **29/466,446**

(57) **CLAIM**

The ornamental design for an electrical connector, as shown and described.

(22) Filed: **Sep. 9, 2013**

DESCRIPTION

(30) **Foreign Application Priority Data**

Mar. 11, 2013 (EM) 002200451-0003

(51) **LOC (10) Cl.** **13-03**

(52) **U.S. Cl.**
USPC **D13/133**

(58) **Field of Classification Search**
USPC D13/133, 146, 147, 154, 156, 184;
439/180, 252, 278, 280, 290–293, 328,
439/374, 375, 378, 483, 489, 491, 500, 525,
439/529, 533, 592, 593, 680, 892, 894
See application file for complete search history.

FIG. 1 is a top left front perspective view of the electrical connector showing our new design;
FIG. 2 is a bottom plan view thereof;
FIG. 3 is a front elevational view thereof;
FIG. 4 is a left side elevational view thereof;
FIG. 5 is a rear elevational view thereof;
FIG. 6 is a right side elevational view thereof; and,
FIG. 7 is a top plan view thereof.

The broken lines in the drawings are included to show unclaimed subject matter only and form no part of the claimed design.

1 Claim, 7 Drawing Sheets

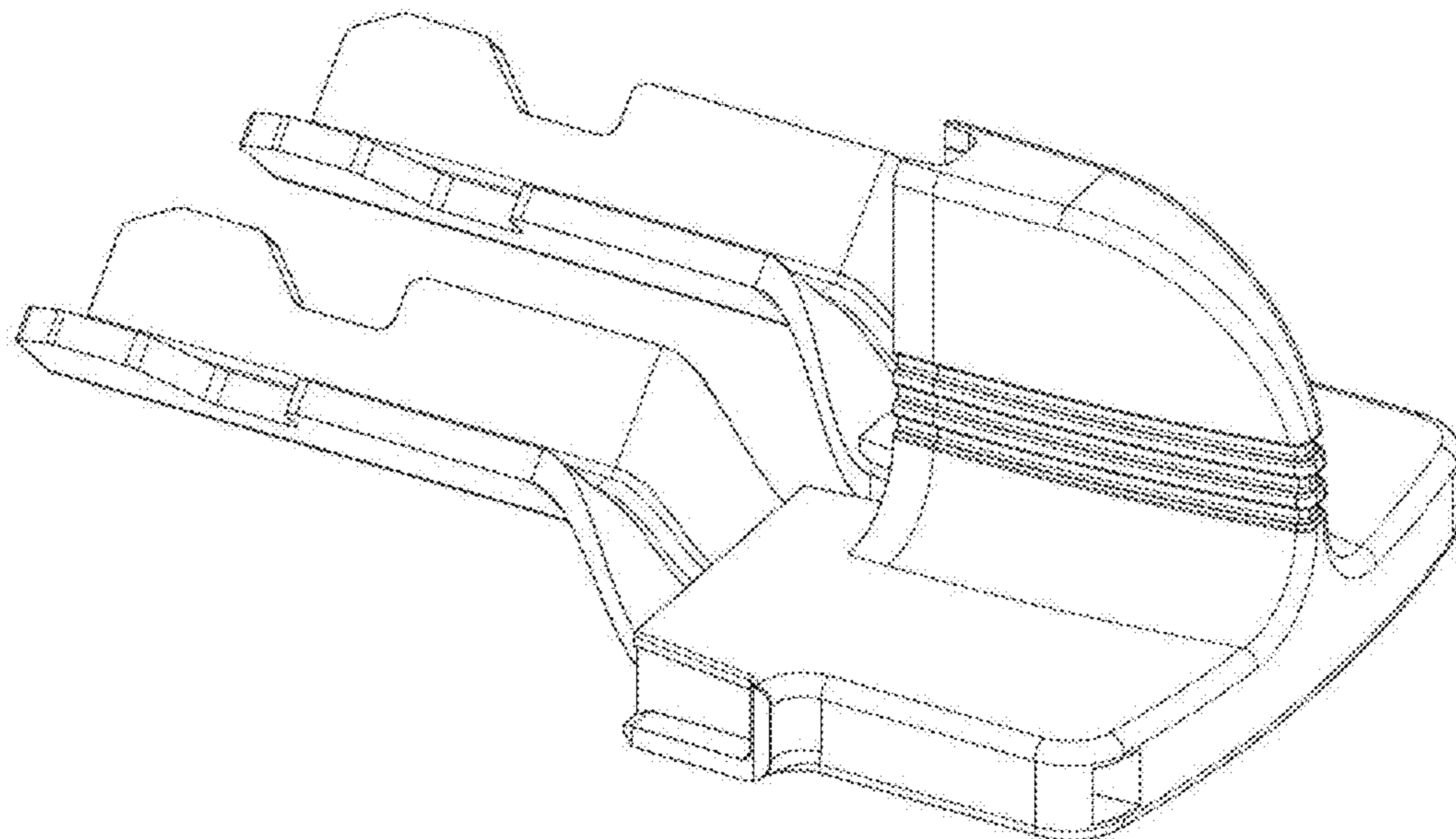


Fig. 1

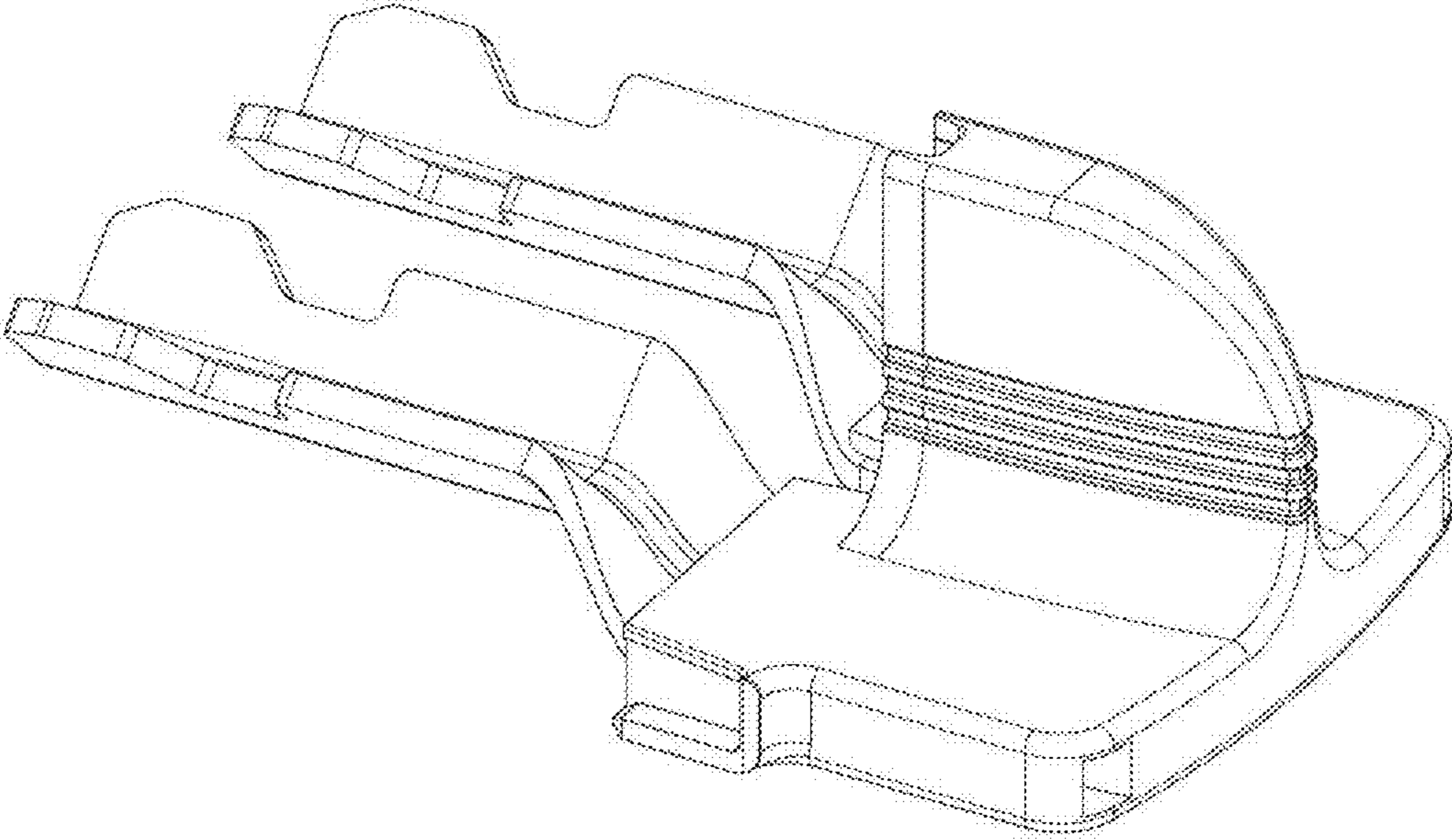


Fig. 2

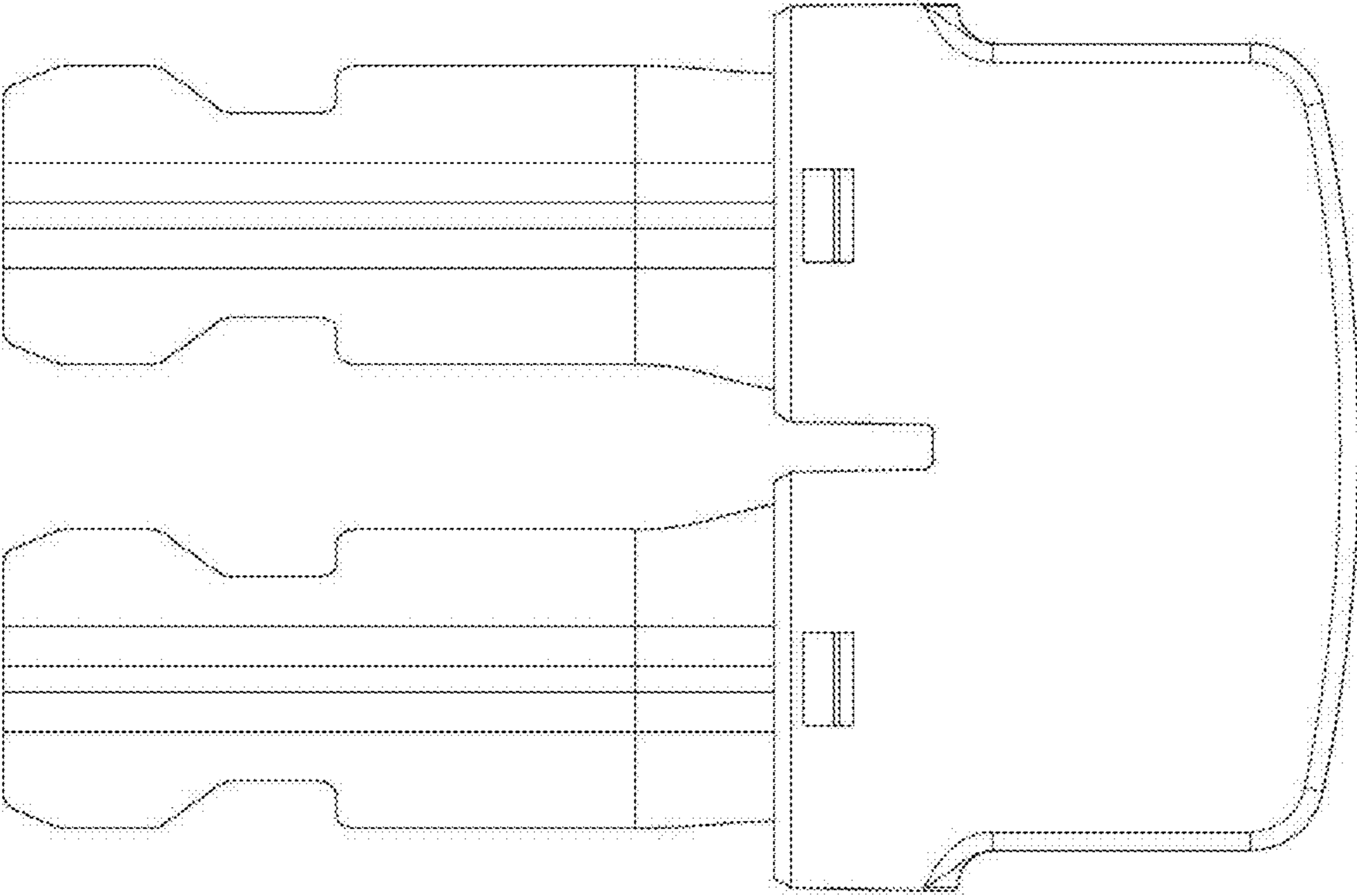


Fig. 3

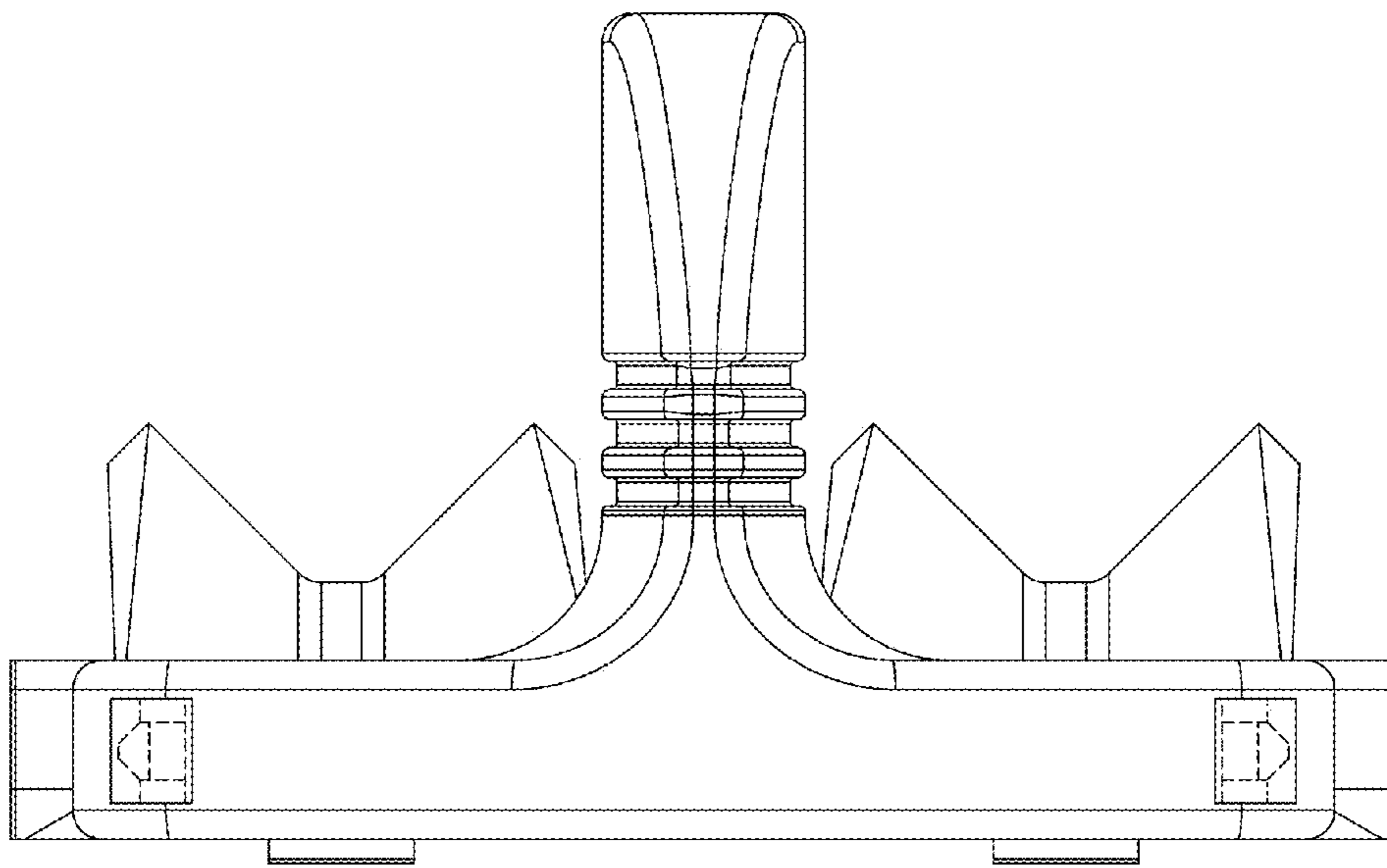


Fig. 4

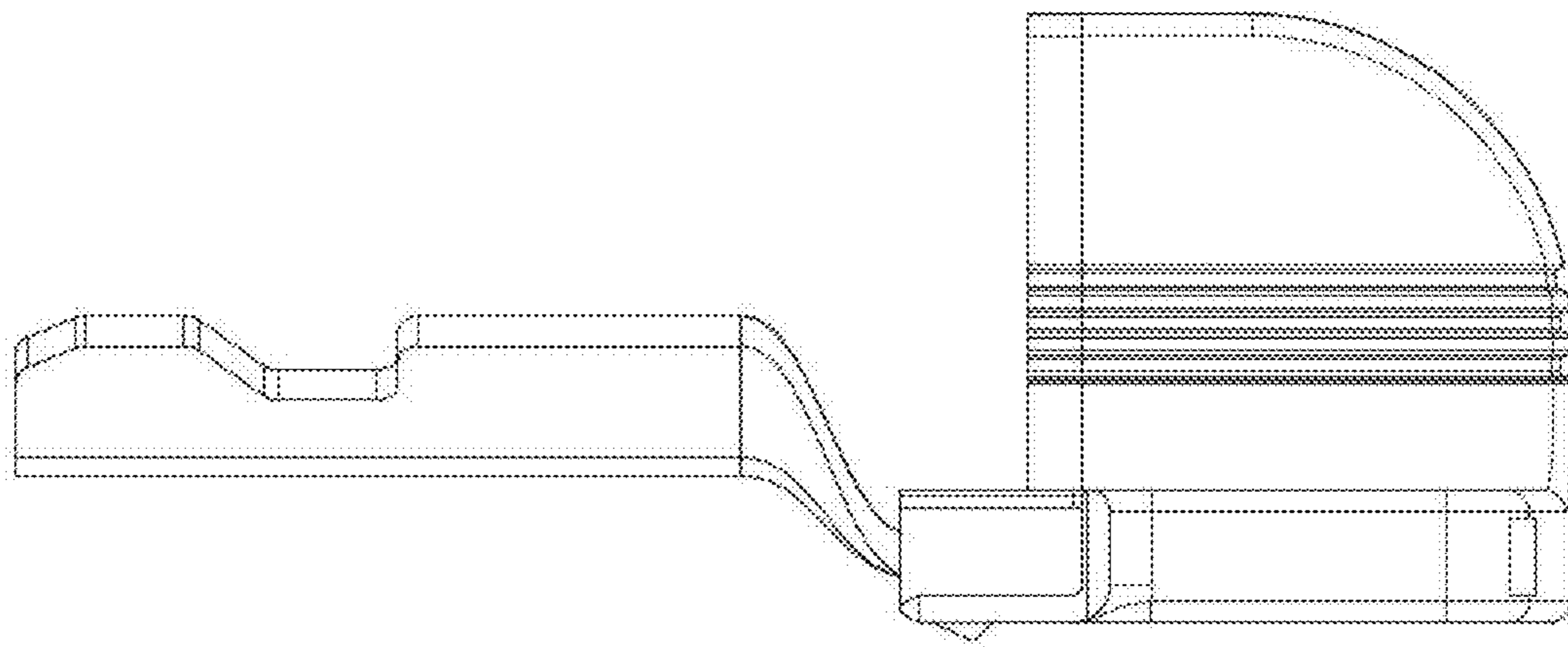


Fig. 5

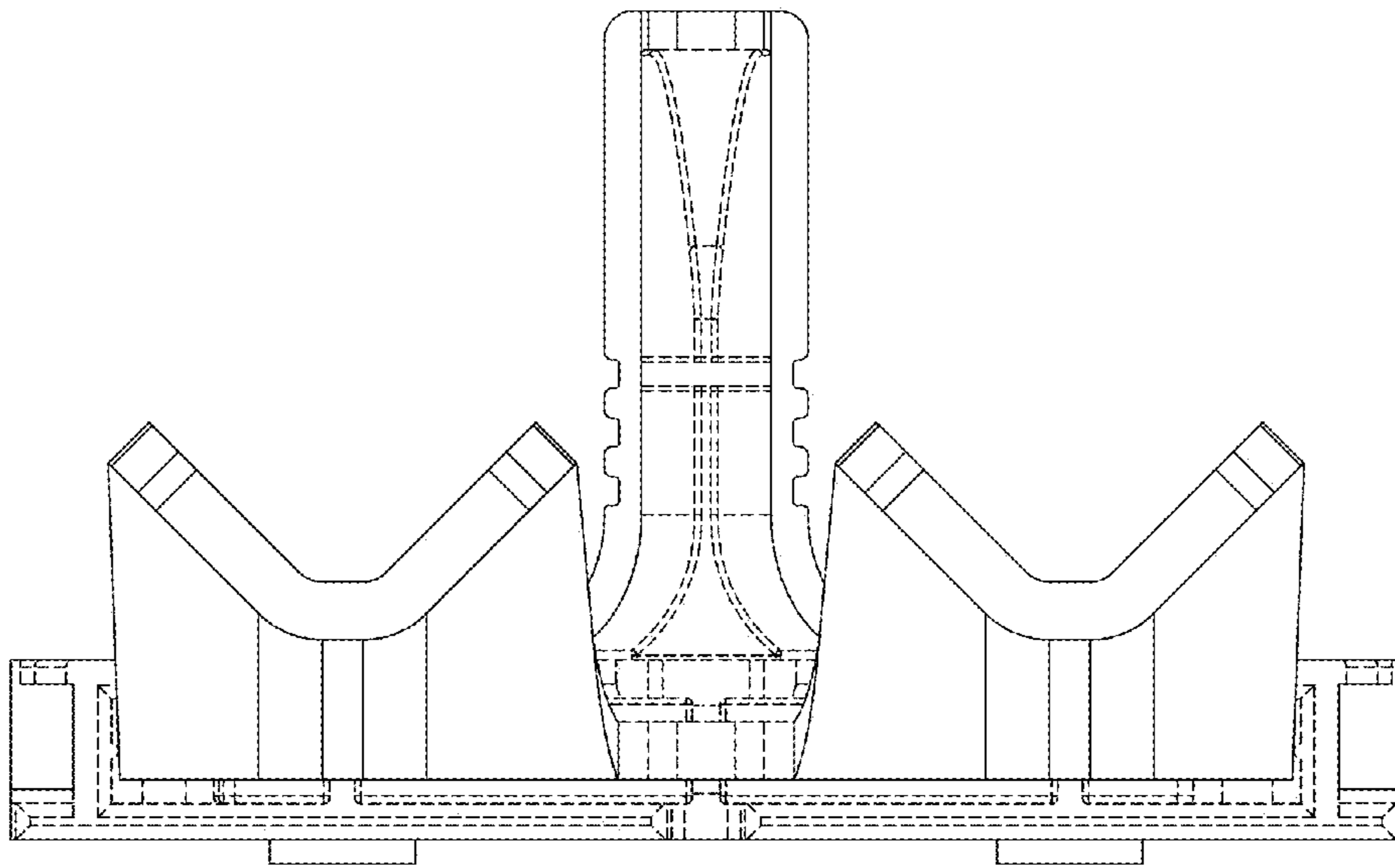


Fig. 6

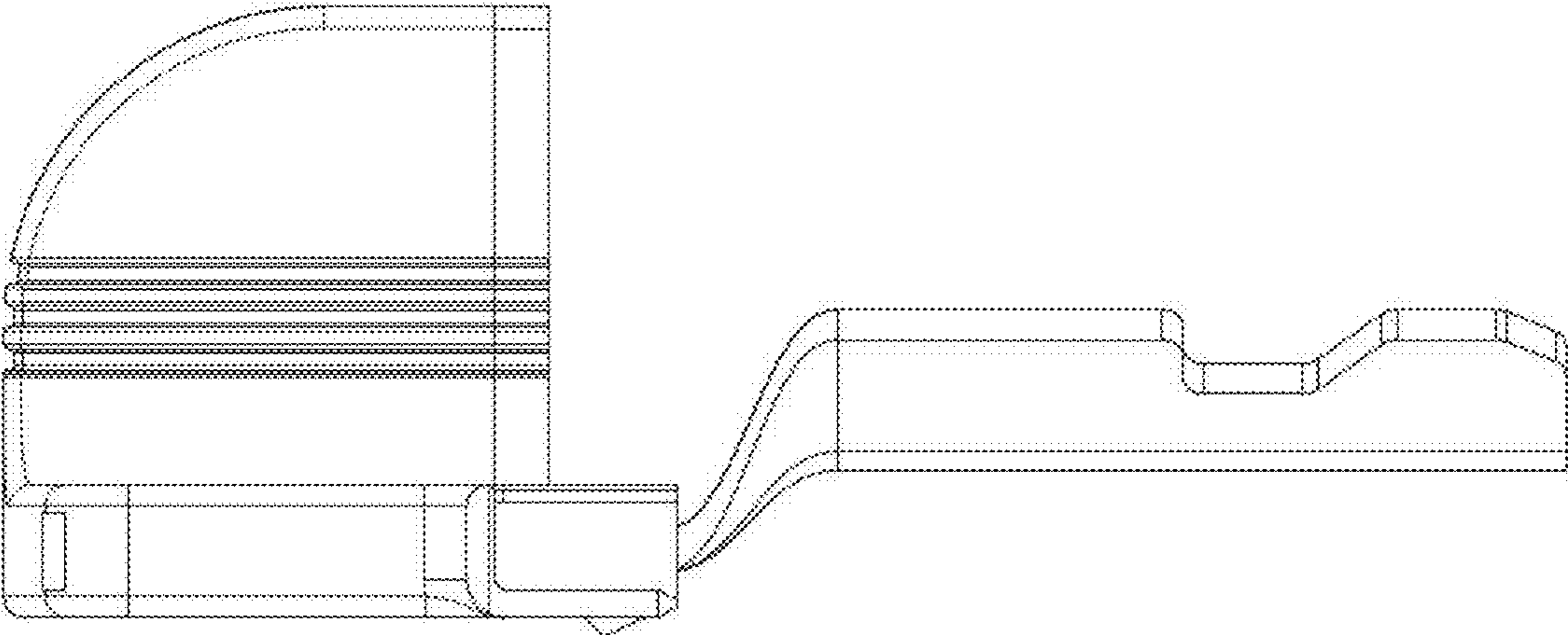


Fig. 7

