



US00D737202S

(12) **United States Design Patent**
Liu

(10) **Patent No.:** **US D737,202 S**
(45) **Date of Patent:** **** Aug. 25, 2015**

(54) **CHARGER**

(71) Applicant: **Qiuming Liu**, Guangdong (CN)

(72) Inventor: **Qiuming Liu**, Guangdong (CN)

(**) Term: **14 Years**

(21) Appl. No.: **29/500,359**

(22) Filed: **Aug. 25, 2014**

Related U.S. Application Data

(63) Continuation-in-part of application No. PCT/CN2014/072518, filed on Feb. 25, 2014, and a continuation-in-part of application No. PCT/CN2013/082034, filed on Aug. 22, 2013.

(51) **LOC (10) Cl.** **13-02**

(52) **U.S. Cl.**
USPC **D13/108; D14/480.1**

(58) **Field of Classification Search**
USPC D13/107–110, 118–119, 184, 199;
D14/251, 253, 432, 434, 434.1,
D14/480.1–480.7, 484.1; 320/107–115;
D27/137, 186, 193, 194; 131/328–329;
361/679.31, 679.33, 679.4, 752;
711/100, 115
CPC Y02E 60/12; Y02T 90/14; Y02T 90/122;
Y02T 90/128; Y02T 90/163; H02J 7/025;
H02J 7/0042; H02J 7/0044; H02J 7/0045;
H02J 7/0003; H01F 38/14; H01R 13/6675;
H01M 2/1022; H01M 2/1055; H01M 10/44;
H01M 10/46; H01M 10/425; B60L 11/182;
A24F 47/008; G06K 19/07732; H05K 5/0278
See application file for complete search history.

(56) **References Cited**

U.S. PATENT DOCUMENTS

6,435,409 B1 * 8/2002 Hu 235/441
6,522,534 B1 * 2/2003 Wu 361/679.4

D489,069 S * 4/2004 Lin D14/435.1
D491,144 S * 6/2004 Jiang D14/435.1
D491,939 S * 6/2004 Lin et al. D14/480.1
D496,364 S * 9/2004 Saito D14/385
D523,015 S * 6/2006 Loftus D14/480.1
D532,783 S * 11/2006 Yu D14/480.3
D534,448 S * 1/2007 Shaffer et al. D10/104.1
D551,626 S * 9/2007 Ho et al. D13/147
D567,238 S * 4/2008 Patton et al. D14/480.2
D569,375 S * 5/2008 Yu et al. D14/385
D574,822 S * 8/2008 Bhavnani D14/480.3
D601,093 S * 9/2009 Wu et al. D13/147
D602,939 S * 10/2009 Andre D14/480.1
D626,082 S * 10/2010 Lin D13/147

(Continued)

Primary Examiner — Rosemary K Tarca

(74) *Attorney, Agent, or Firm* — Locke Lord LLP; Tim Tingkang Xia, Esq.

(57) **CLAIM**

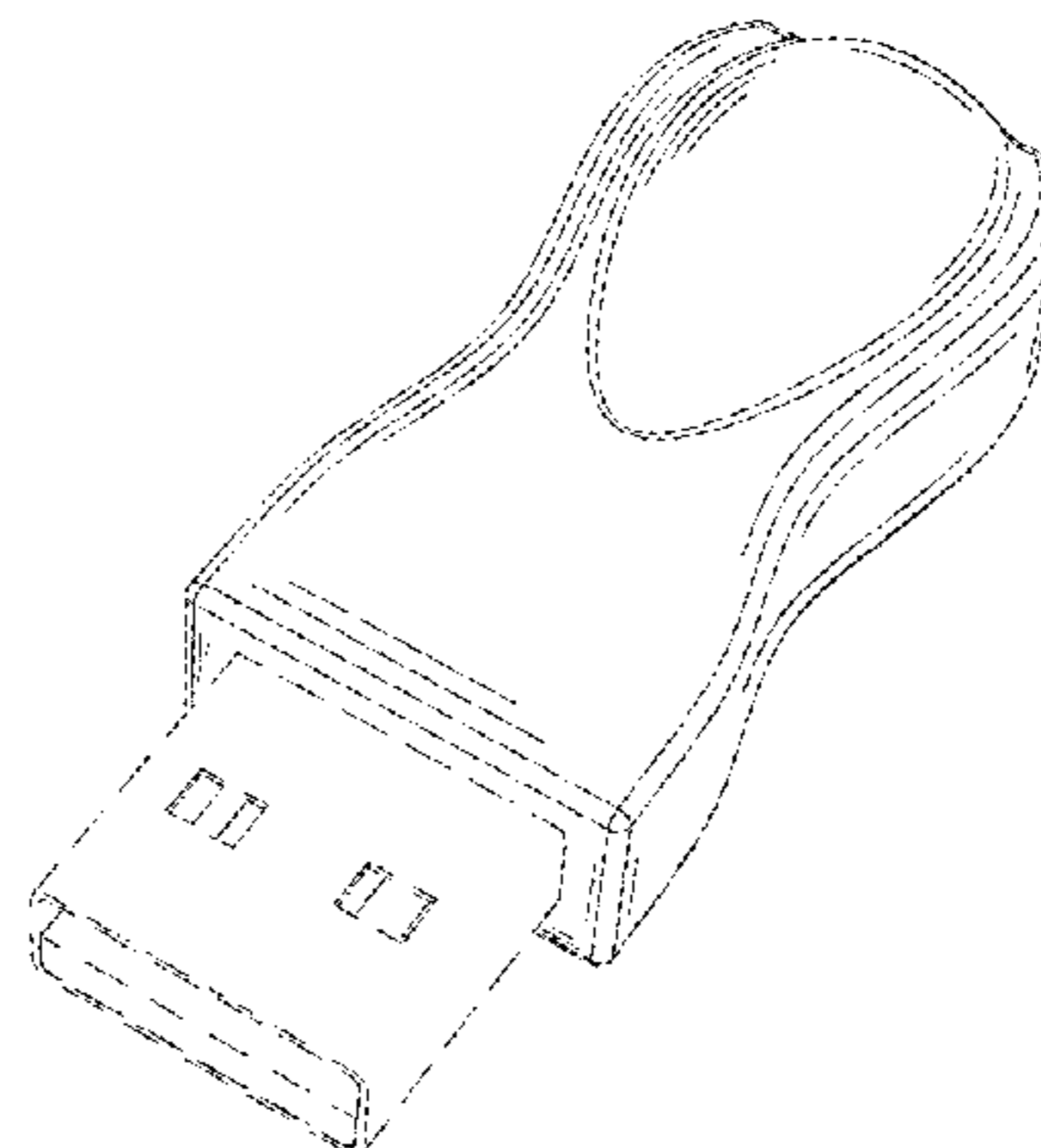
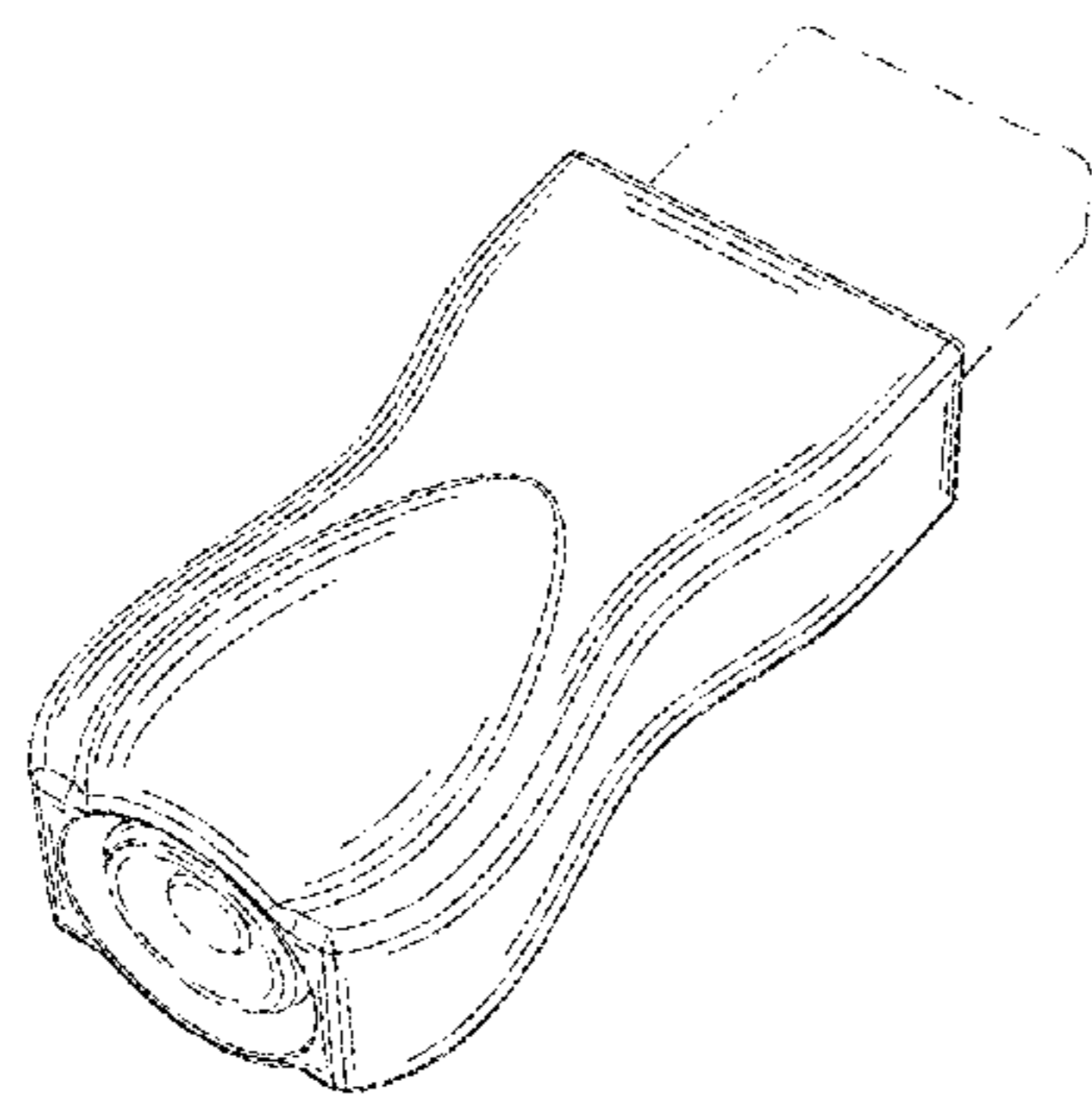
The ornamental design for a charger, as shown and described.

DESCRIPTION

FIG. 1 is a front elevational view of an embodiment of a charger;
FIG. 2 is a rear elevational view of the embodiment of the charger;
FIG. 3 is a left side elevational view of the embodiment of the charger;
FIG. 4 is a right side elevational view of the embodiment of the charger;
FIG. 5 is a top plan view of the embodiment of the charger;
FIG. 6 is a bottom plan view of the embodiment of the charger;
FIG. 7 is a first perspective view of the embodiment of the charger; and,
FIG. 8 is a second perspective view of the embodiment of the charger.

The broken lines shown in the drawings are included for the purpose of illustrating environmental structure and form no part of the claimed design.

1 Claim, 6 Drawing Sheets



(56)

References Cited

U.S. PATENT DOCUMENTS

D631,053 S * 1/2011 Bailey D14/480.1
D638,430 S * 5/2011 Lee et al. D14/435.1
D651,211 S * 12/2011 Lee et al. D14/435.1
2003/0103369 A1* 6/2003 Wu 365/131

2004/0233629 A1* 11/2004 Wang et al. 361/684
2005/0162823 A1* 7/2005 Hosey 361/684
2007/0015407 A1* 1/2007 Loftus 439/607
2007/0083273 A1* 4/2007 Ruggero 700/1
2008/0133832 A1* 6/2008 Bhavnani 711/115
2008/0144270 A1* 6/2008 Dal Porto et al. 361/684

* cited by examiner

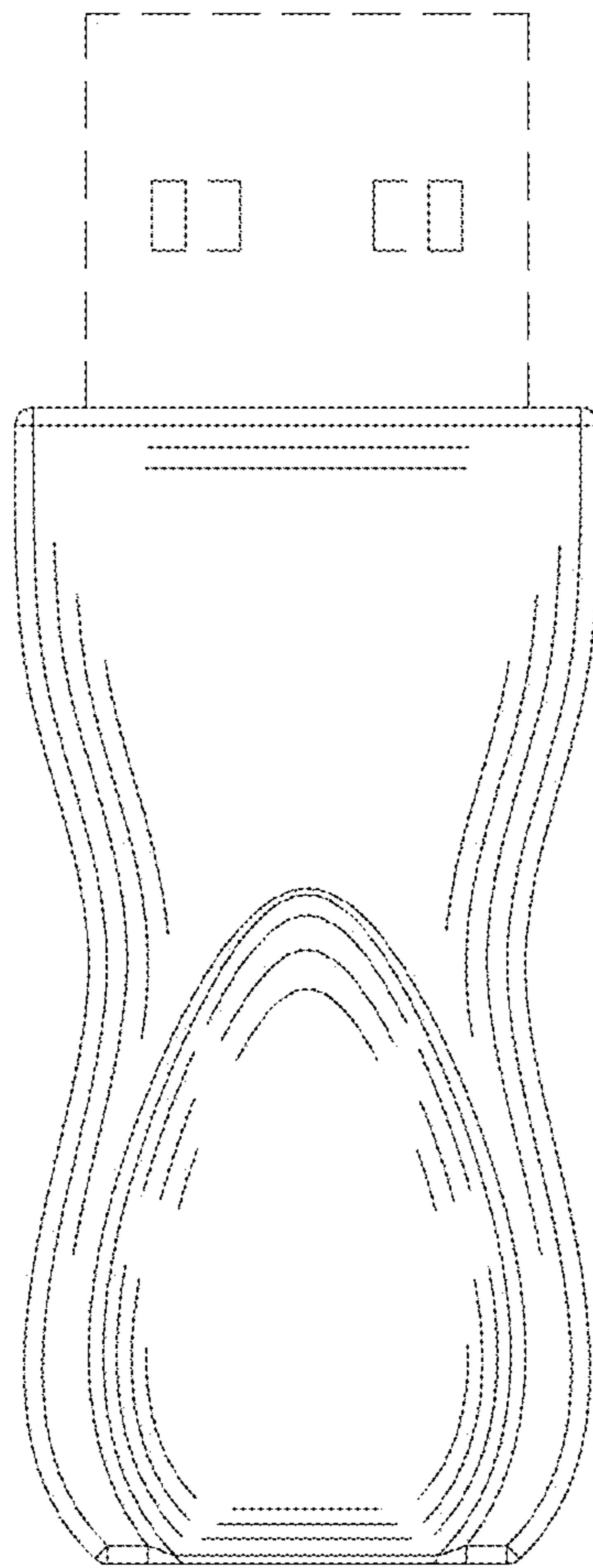


Fig. 1

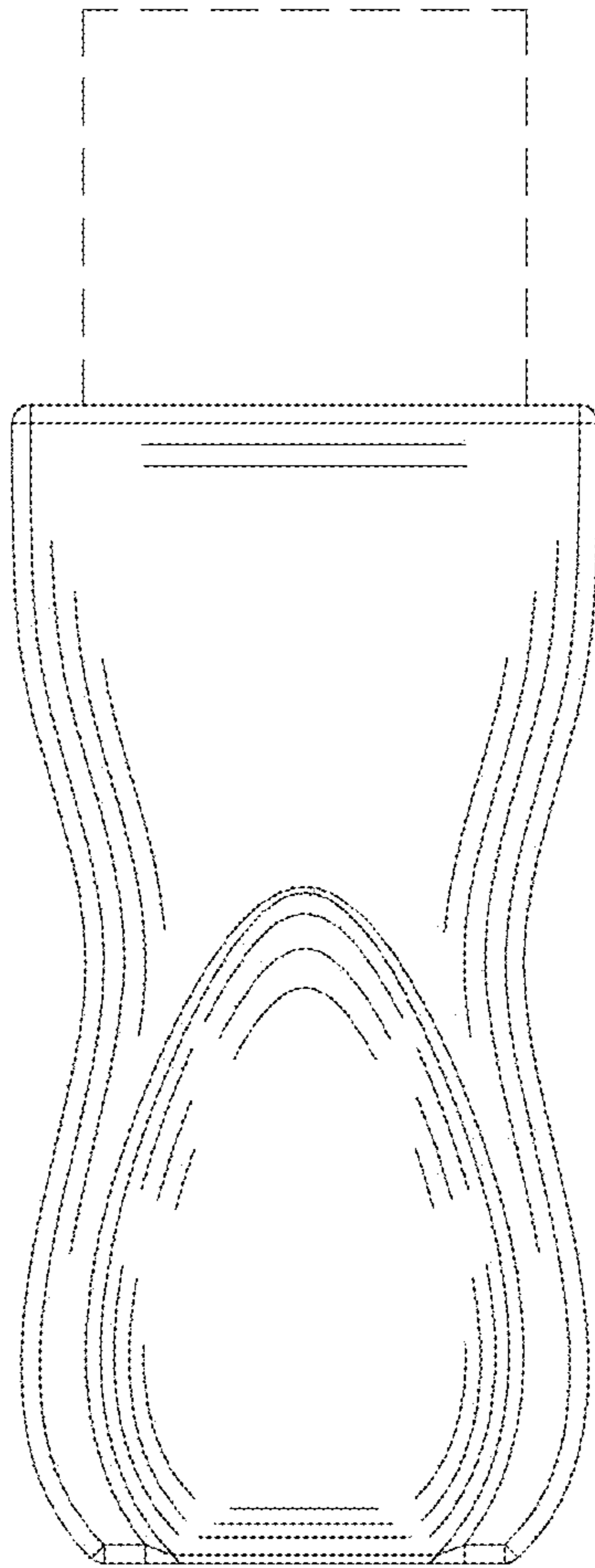


Fig. 2

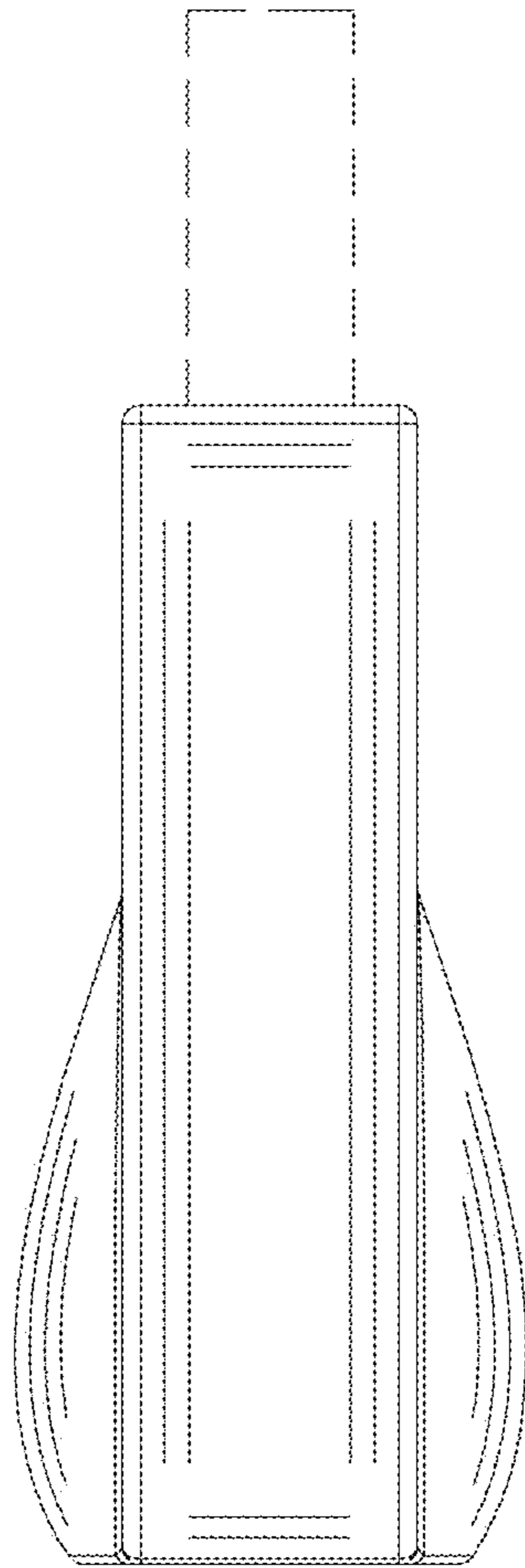


Fig. 3

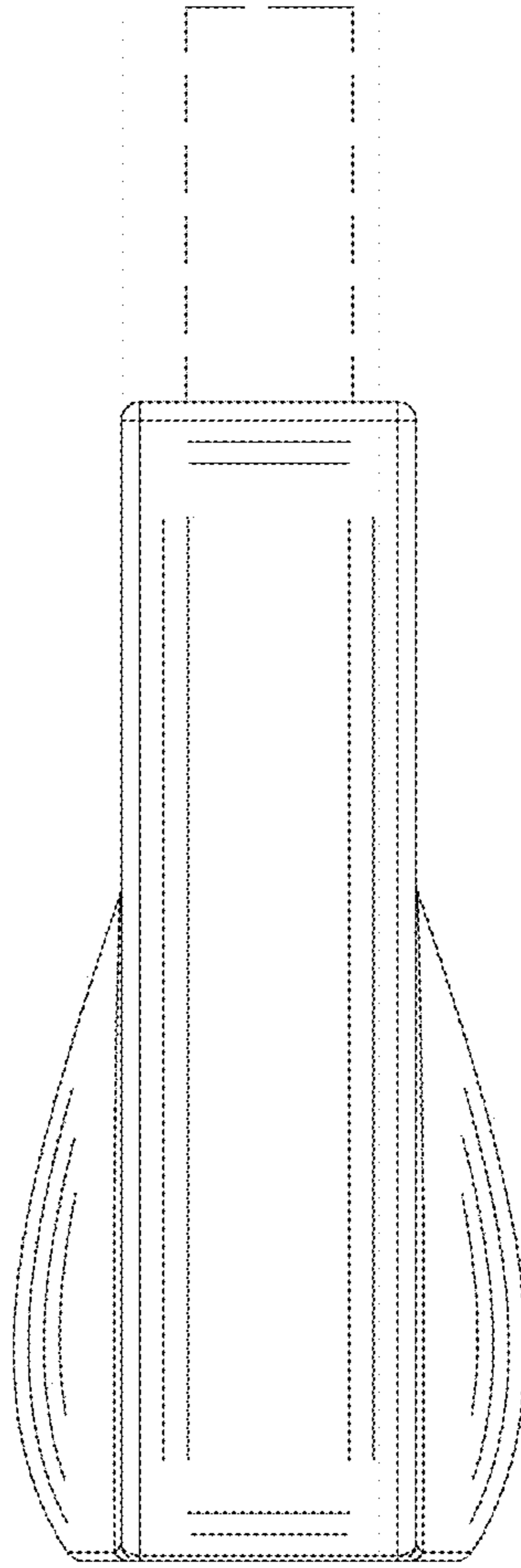


Fig. 4

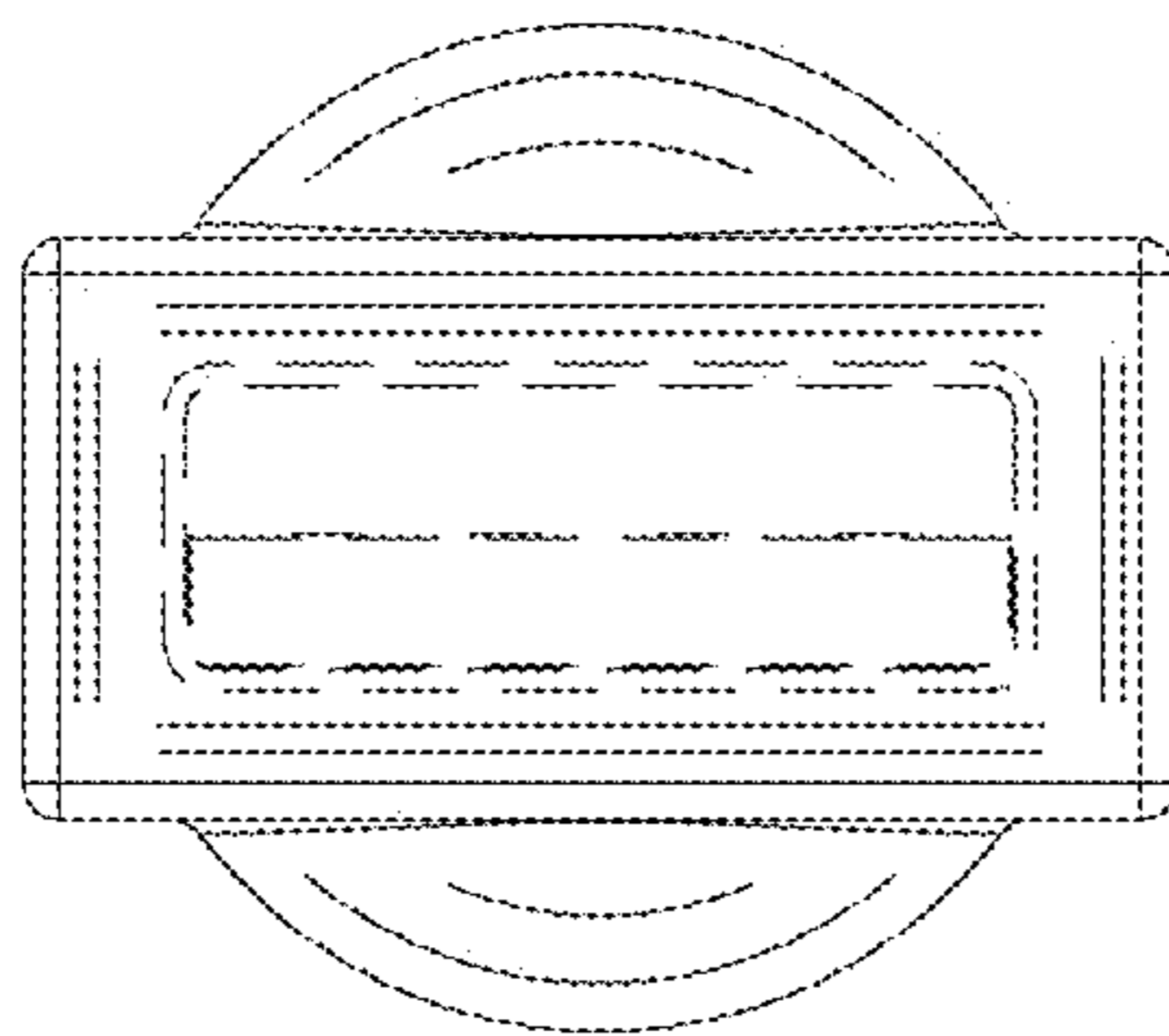


Fig. 5

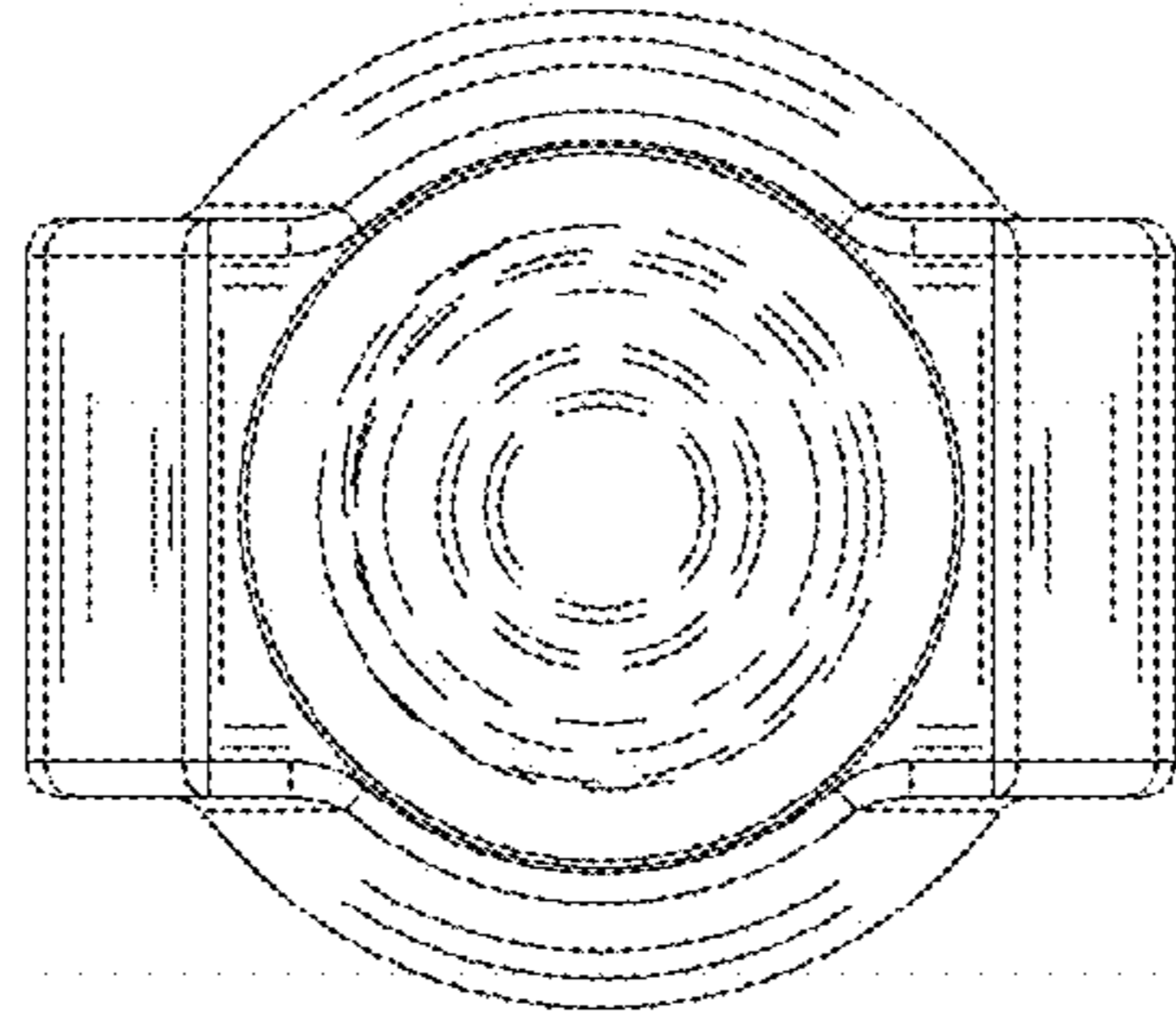


Fig. 6

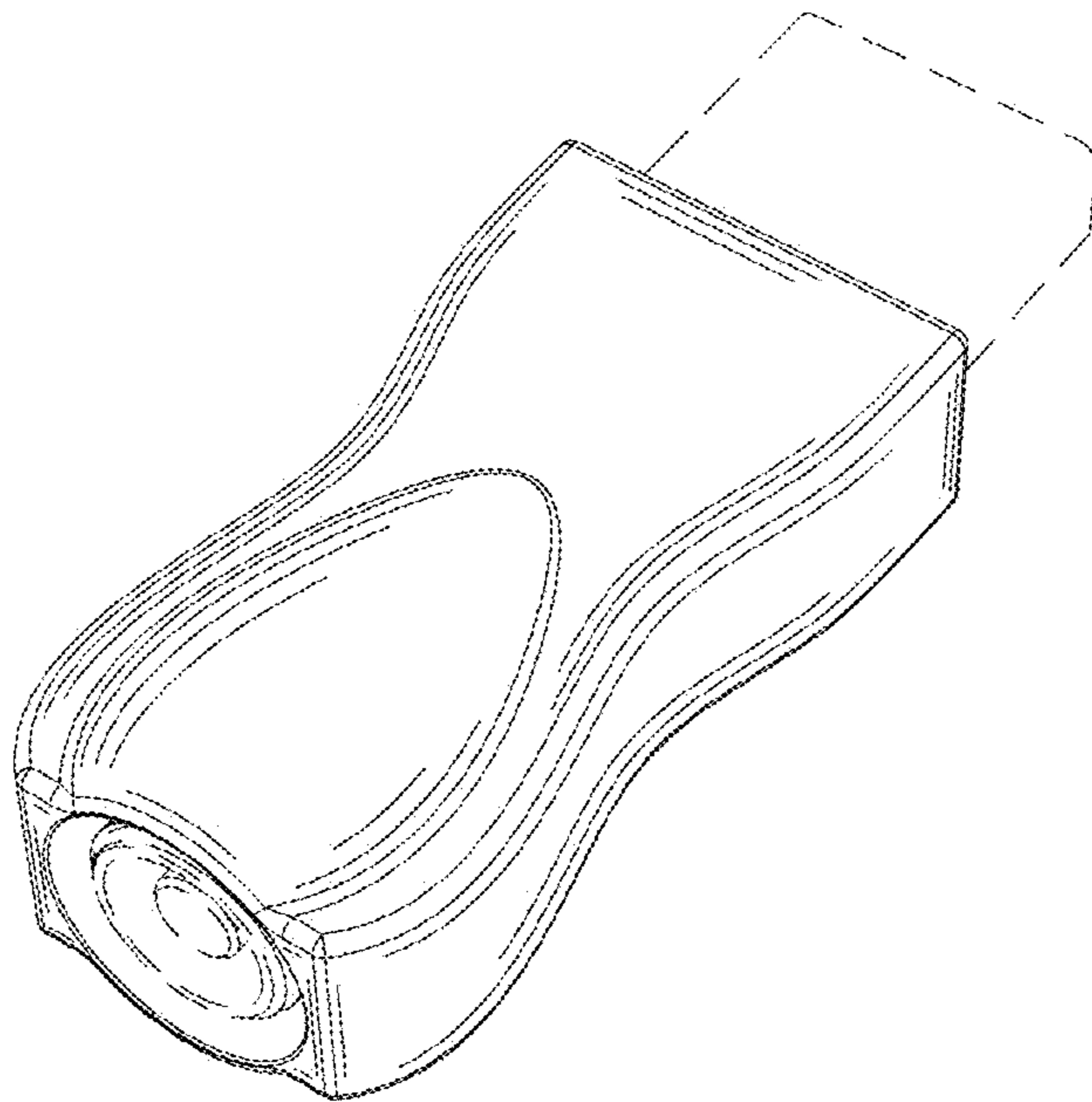


Fig. 7

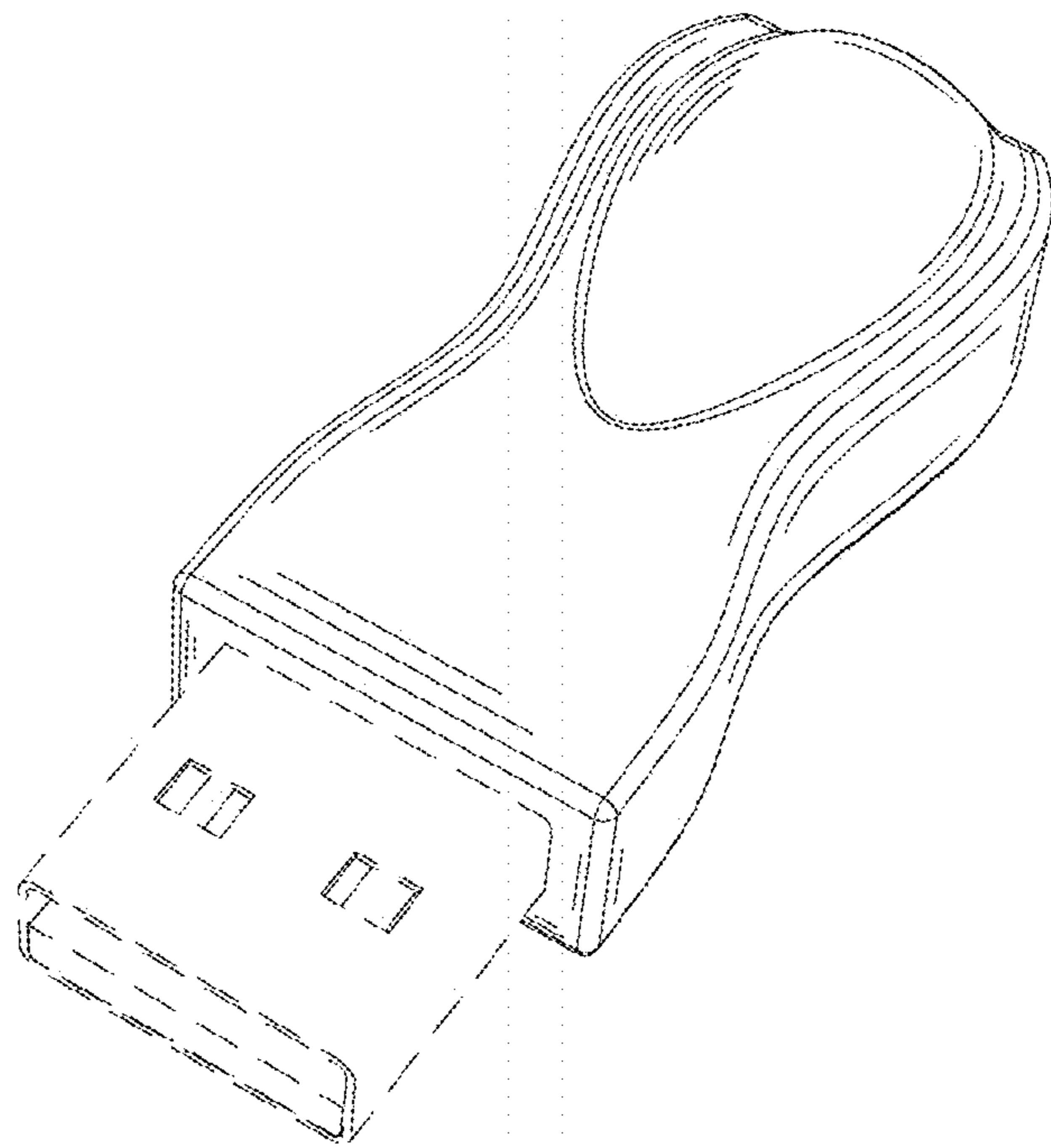


Fig. 8