



US00D737196S

(12) **United States Design Patent**  
**Pappas**

(10) **Patent No.:** **US D737,196 S**

(45) **Date of Patent:** **\*\* Aug. 25, 2015**

(54) **HIGH DENSITY BICYCLE RACK**

(56) **References Cited**

(71) Applicant: **Jeanette Pappas**, Rancho Mirage, CA (US)

U.S. PATENT DOCUMENTS

(72) Inventor: **Mark Pappas**, Rancho Mirage, CA (US)

3,785,500 A *	1/1974	Kennelly	.....	211/5
D327,666 S *	7/1992	Carlson	.....	D12/115
D391,902 S *	3/1998	Pappas	.....	D12/115
D391,903 S *	3/1998	Pappas	.....	D12/115
D497,873 S *	11/2004	Graber	.....	D12/407
D543,906 S *	6/2007	Hoadley et al.	.....	D12/115
D602,403 S *	10/2009	Shaha et al.	.....	D12/115
D604,207 S *	11/2009	Selzer et al.	.....	D12/115
D666,537 S *	9/2012	Hoadley et al.	.....	D12/115
D678,131 S *	3/2013	Hoadley et al.	.....	D12/115
2004/0251219 A1 *	12/2004	Zimmerman	.....	211/17
2013/0264297 A1 *	10/2013	Long	.....	211/20
2014/0183237 A1 *	7/2014	Wolfe et al.	.....	224/403

(73) Assignee: **Jeannette Pappas**, Rancho Mirage, CA (US)

(\*\*) Term: **14 Years**

(21) Appl. No.: **29/458,072**

\* cited by examiner

(22) Filed: **Jun. 14, 2013**

(51) **LOC (10) Cl.** ..... **12-16**

*Primary Examiner* — Robert M Spear

(52) **U.S. Cl.**

*Assistant Examiner* — Ryan Harvey

USPC ..... **D12/407**

(74) *Attorney, Agent, or Firm* — Thomas M. Freiburger

(58) **Field of Classification Search**

(57) **CLAIM**

USPC ..... D12/408, 407, 406, 414.1, 420, 115;  
 224/403, 520, 532, 324, 501, 518, 533,  
 224/492, 493, 495, 500, 924, 497, 502, 510,  
 224/321, 329, 503, 523, 537, 513, 519, 314,  
 224/318, 325, 326, 509, 315, 319, 309, 514,  
 224/499, 516, 571, 572, 504, 323, 322;  
 24/68 CD, 301; 211/20, 17, 4, 22, 5, 21,  
 211/198, 200; 248/164; 362/549; D8/356;  
 D6/716.3; 16/324, 329; 340/432, 5.9,  
 340/543, 568.1; 194/205, 247, 902;  
 235/381, 382; 70/233, 57, 235

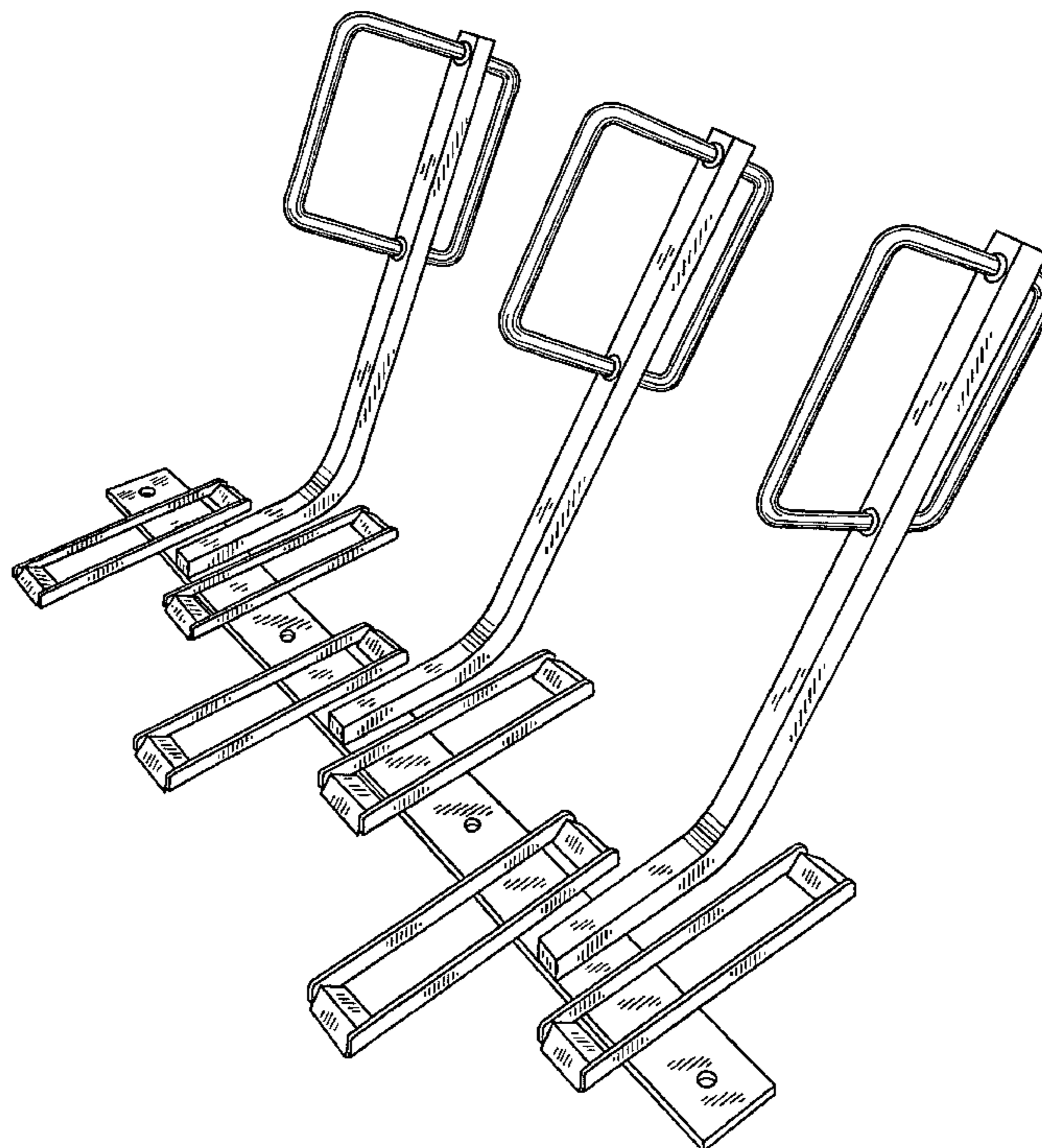
The ornamental design for a high density bicycle rack, substantially as shown and described.

**DESCRIPTION**

FIG. 1 is a perspective view of a high density bicycle rack showing my new design;  
 FIG. 2 is a top plan view thereof;  
 FIG. 3 is a bottom plan view thereof;  
 FIG. 4 is a right side view thereof;  
 FIG. 5 is a left side view thereof;  
 FIG. 6 is a front view thereof; and,  
 FIG. 7 is a back view thereof.

See application file for complete search history.

**1 Claim, 3 Drawing Sheets**



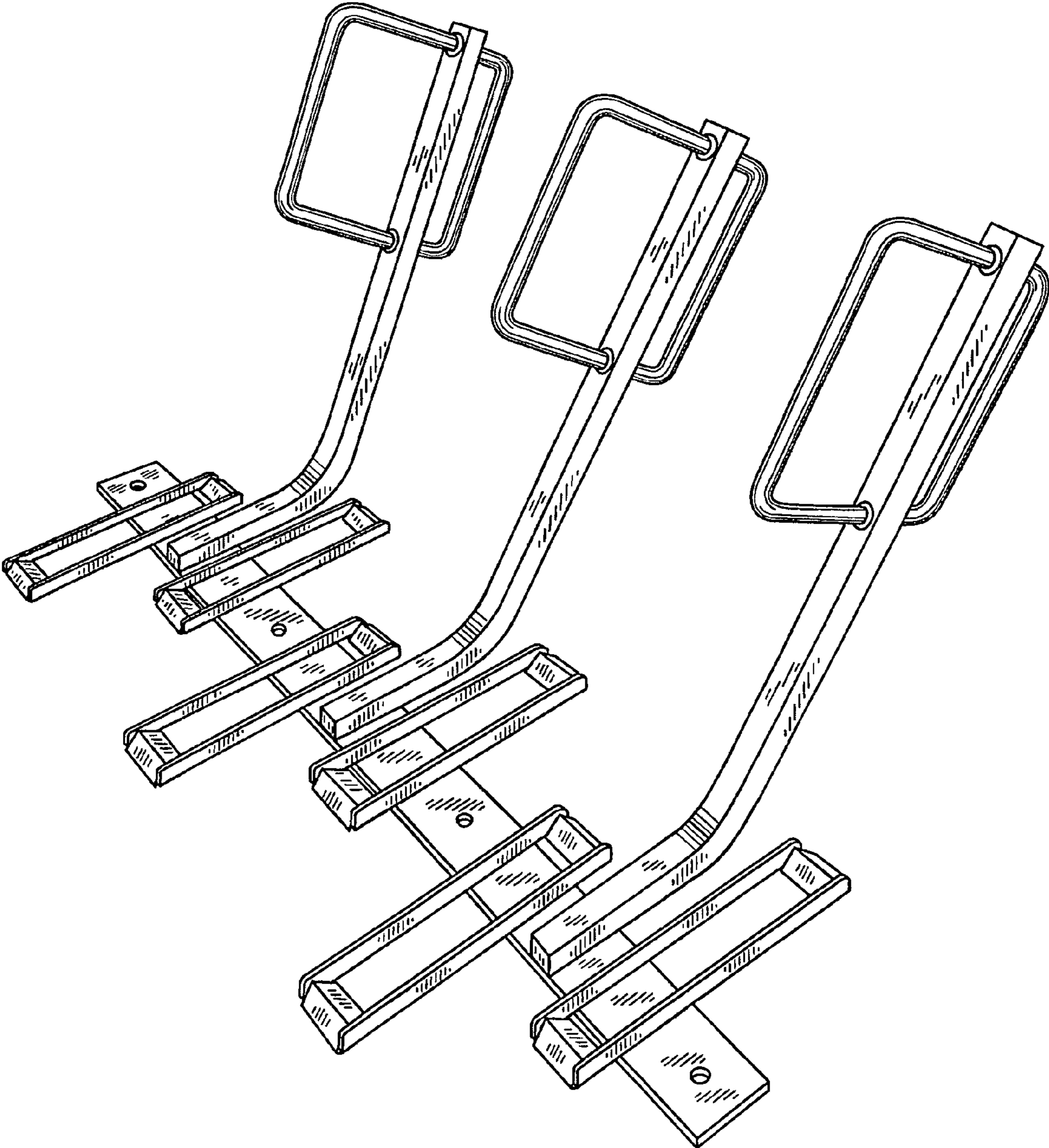
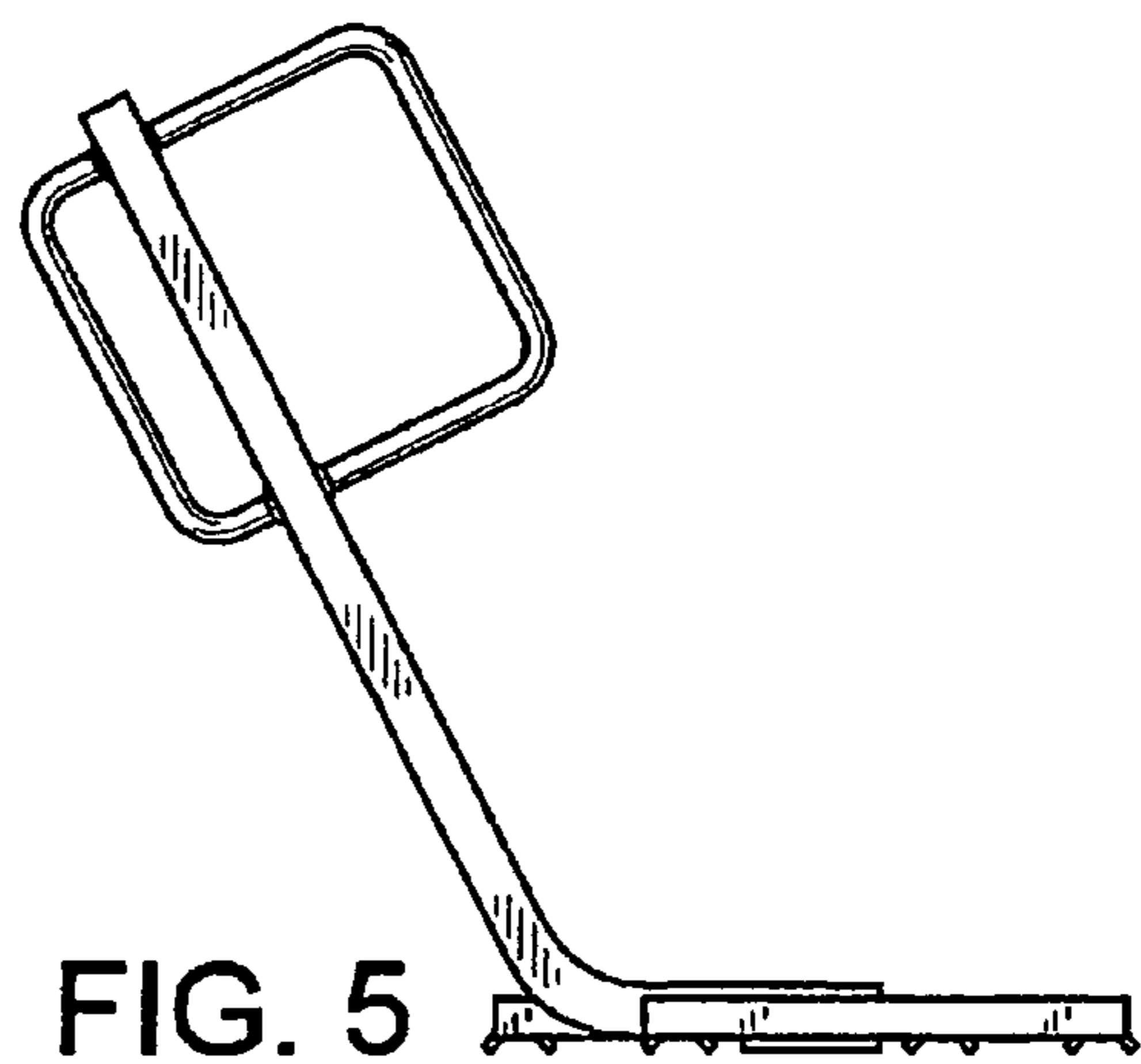
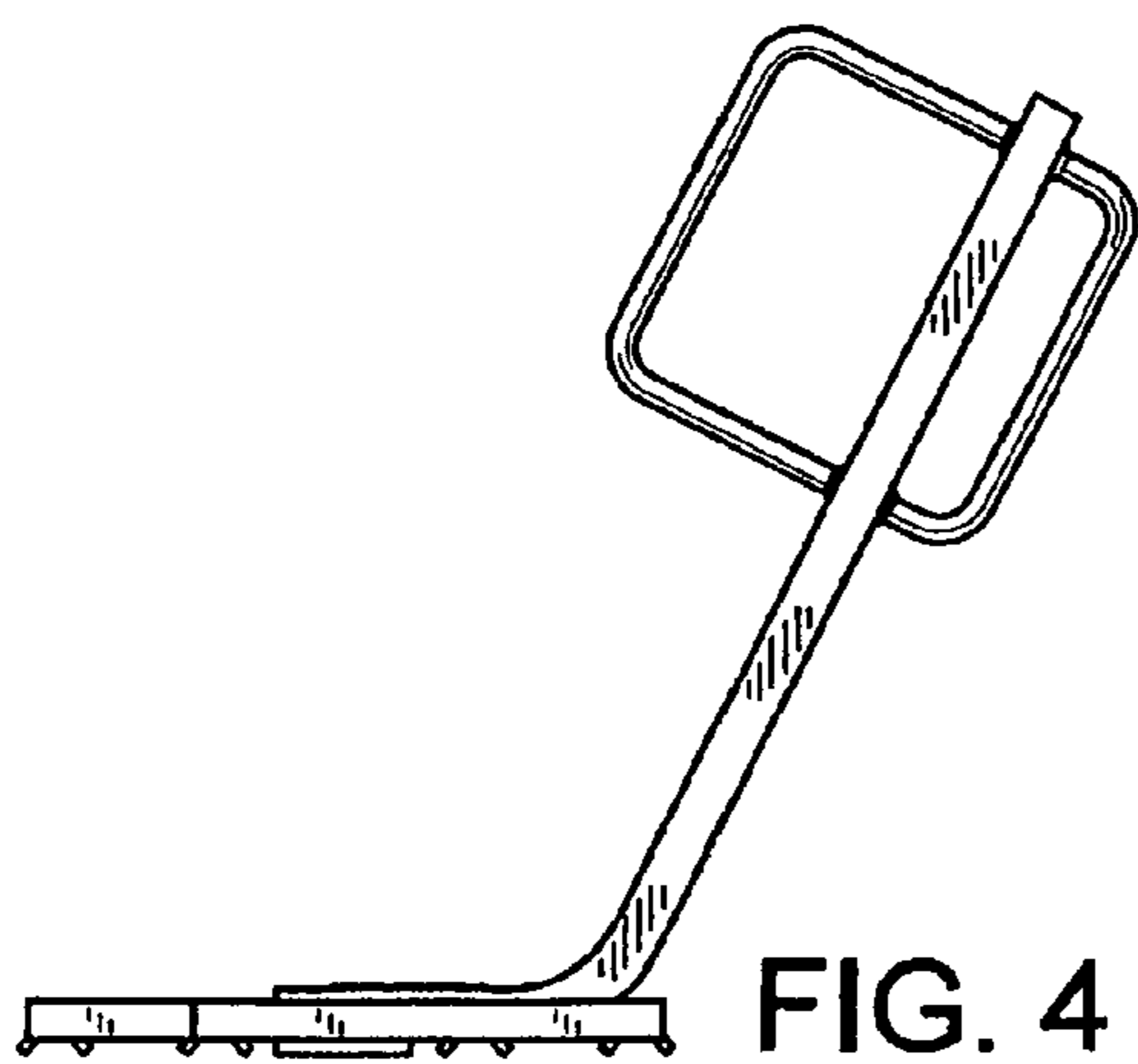
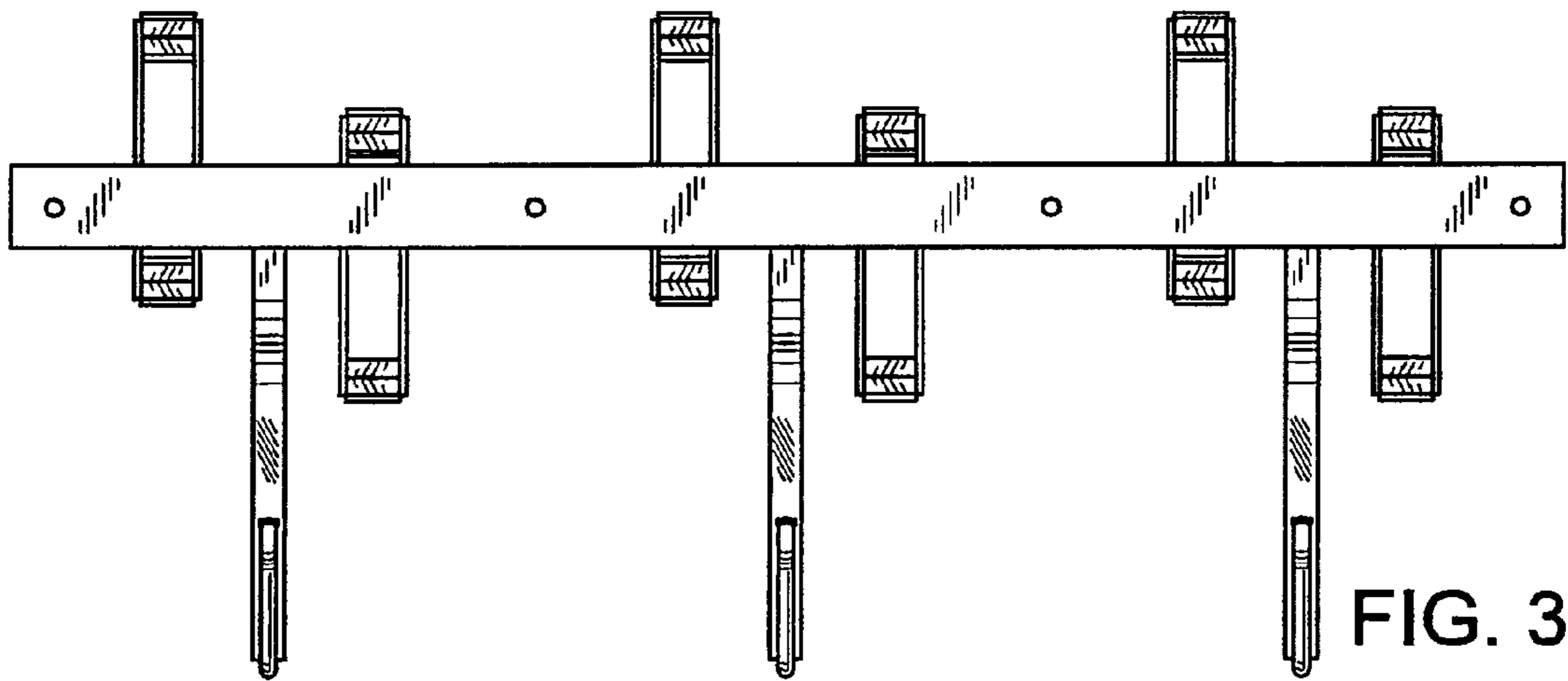
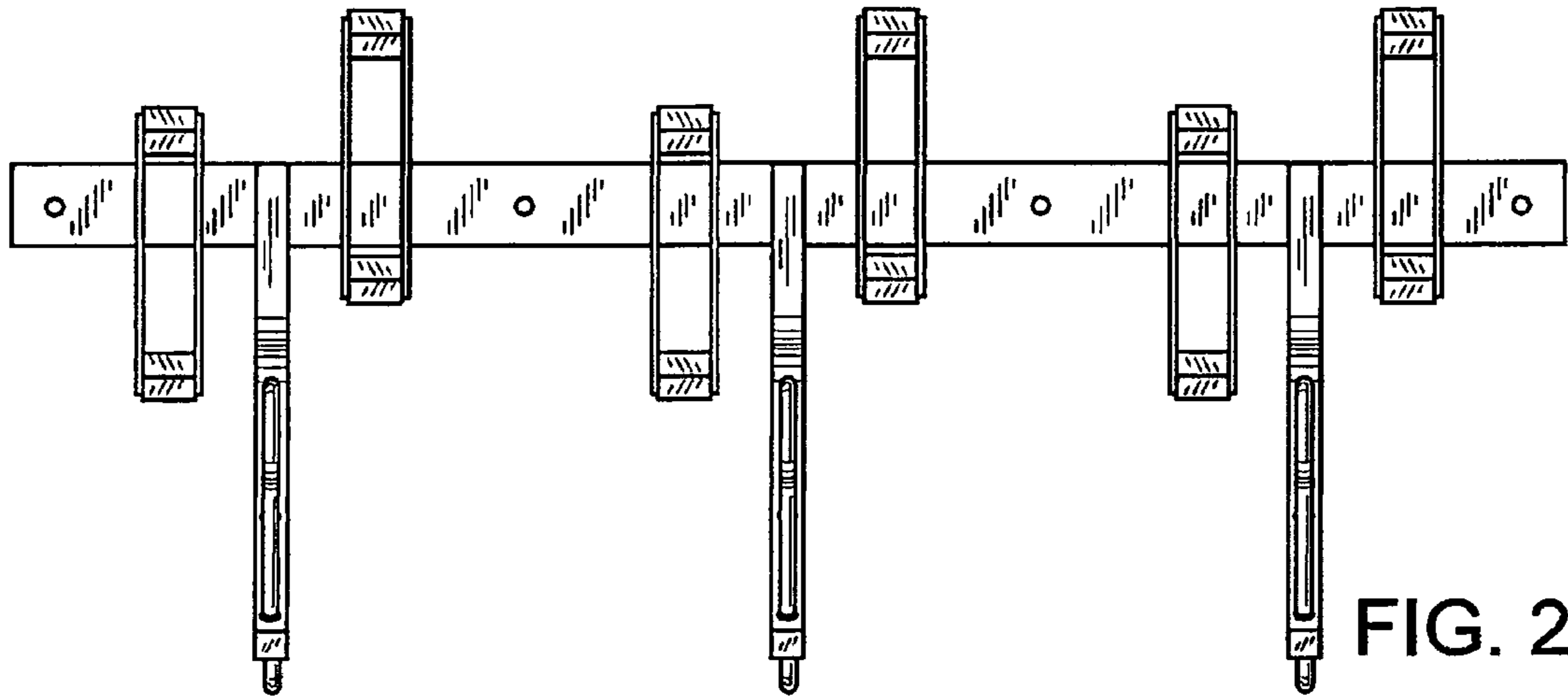


FIG. 1



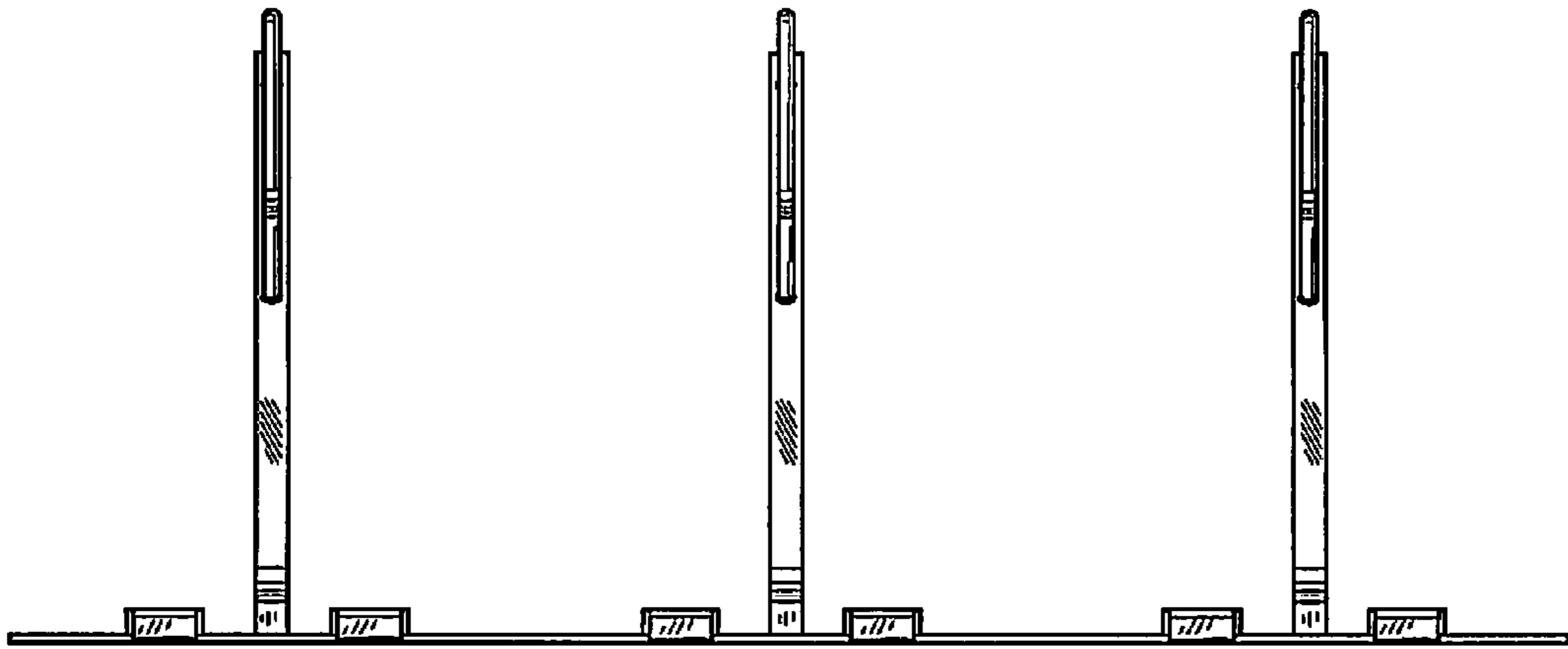


FIG. 6

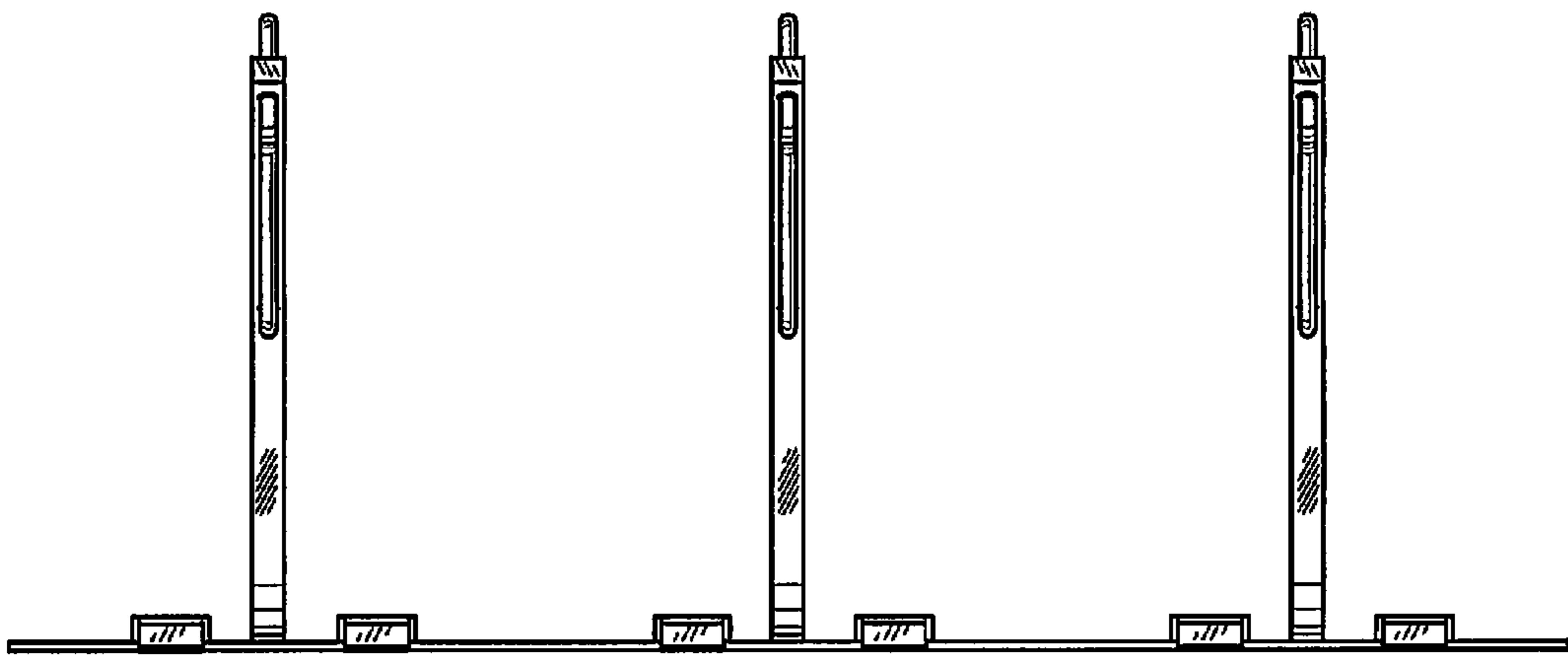


FIG. 7