



US00D737193S

(12) **United States Design Patent**
Wilson

(10) **Patent No.:** **US D737,193 S**
(45) **Date of Patent:** **** Aug. 25, 2015**

(54) **BIMINI HARDTOP FOR WATERCRAFT**

(71) Applicant: **Roswell Wake-Air Enterprises, Inc.**,
Acheson (CA)

(72) Inventor: **Darrick Wilson**, Edmonton (CA)

(73) Assignee: **Roswell Wake-Air Enterprises Inc.**,
Acheson AB (CA)

(**) Term: **14 Years**

(21) Appl. No.: **29/460,227**

(22) Filed: **Jul. 9, 2013**

(51) **LOC (10) Cl.** **12-06**

(52) **U.S. Cl.**
USPC **D12/317**

(58) **Field of Classification Search**
USPC D12/300, 302, 303, 304, 307, 310–314,
D12/316, 317; 114/39.11–39.15,
114/39.21–39.32, 61.1, 61.2, 61.32, 61.33,
114/62, 355–358, 271, 273, 274, 283,
114/288–292, 343, 363; 440/27, 35;
D21/542–547
CPC B63B 17/00; B63B 17/02
See application file for complete search history.

(56) **References Cited**

U.S. PATENT DOCUMENTS

D355,883	S *	2/1995	Simpkins	D12/317
5,706,752	A *	1/1998	Menne et al.	114/361
D407,366	S *	3/1999	Badsey	D12/300
6,983,716	B1 *	1/2006	Ankney et al.	114/361
D697,018	S *	1/2014	Rodriguez	D12/317
D701,820	S *	4/2014	Pierce et al.	D12/317
8,752,498	B1 *	6/2014	Schwindaman et al.	114/361

(Continued)

Primary Examiner — Cynthia M Chin

(74) *Attorney, Agent, or Firm* — Jeffrey T. Placker; Holland & Knight LLP

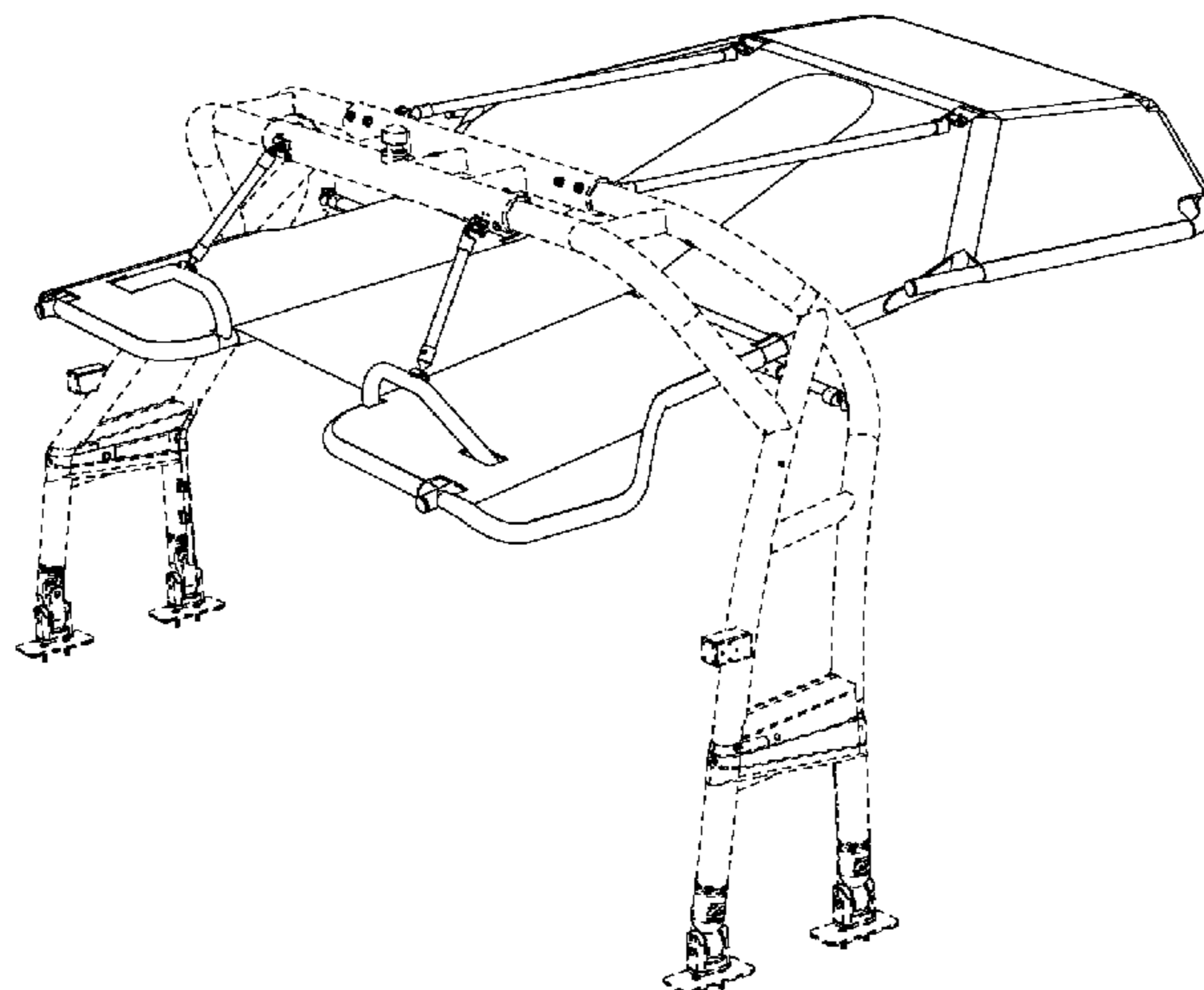
(57) **CLAIM**

The ornamental design for a bimini hardtop for watercraft, as shown and described.

DESCRIPTION

FIG. 1 is a top isometric view of a bimini hardtop for watercraft, suitable for being mounted on a boat;
 FIG. 2 is a top plan view thereof;
 FIG. 3 is a front elevational view thereof;
 FIG. 4 is left side elevational view thereof;
 FIG. 5 is a right side elevational view thereof mounted to an example watercraft;
 FIG. 6 is a rear elevational view thereof, mounted to an example watercraft;
 FIG. 7 is top isometric view thereof, mounted to an example tower structure for a watercraft;
 FIG. 8 is a top isometric view thereof including a removable center portion, mounted to an example tower structure for a watercraft;
 FIG. 9 is right side isometric view thereof in a fully deployed configurations, mounted to an example tower structure for a watercraft;
 FIG. 10 is a right side isometric view thereof in a fully deployed configuration;
 FIG. 11 is a right side isometric view thereof in a vertical, partially stowed configuration, mounted to an example tower structure for a watercraft;
 FIG. 12 is a right side isometric view thereof in a vertical, partially stowed configuration;
 FIG. 13 is a right side isometric view thereof in partially stowed configuration, mounted to an example tower structure for a watercraft;
 FIG. 14 is a right side isometric view thereof in a partially stowed configuration;
 FIG. 15 is a right side isometric view thereof in a fully stowed configuration, mounted to an example tower structure for a watercraft; and,
 FIG. 16 is a right side isometric view thereof in a fully stowed configuration.
 The broken lines represent portions of the article that form no part of the claimed design.

1 Claim, 10 Drawing Sheets



US D737,193 S

Page 2

(56)

References Cited

U.S. PATENT DOCUMENTS

		2009/0229508 A1*	9/2009	James	114/361
		2010/0083891 A1*	4/2010	Russikoff	114/361
		2013/0104793 A1*	5/2013	Pierce et al.	114/361
	D718,209 S *	11/2014	Kristinsson	D12/317	
	2008/0011217 A1*	1/2008	Russikoff	114/361	

* cited by examiner

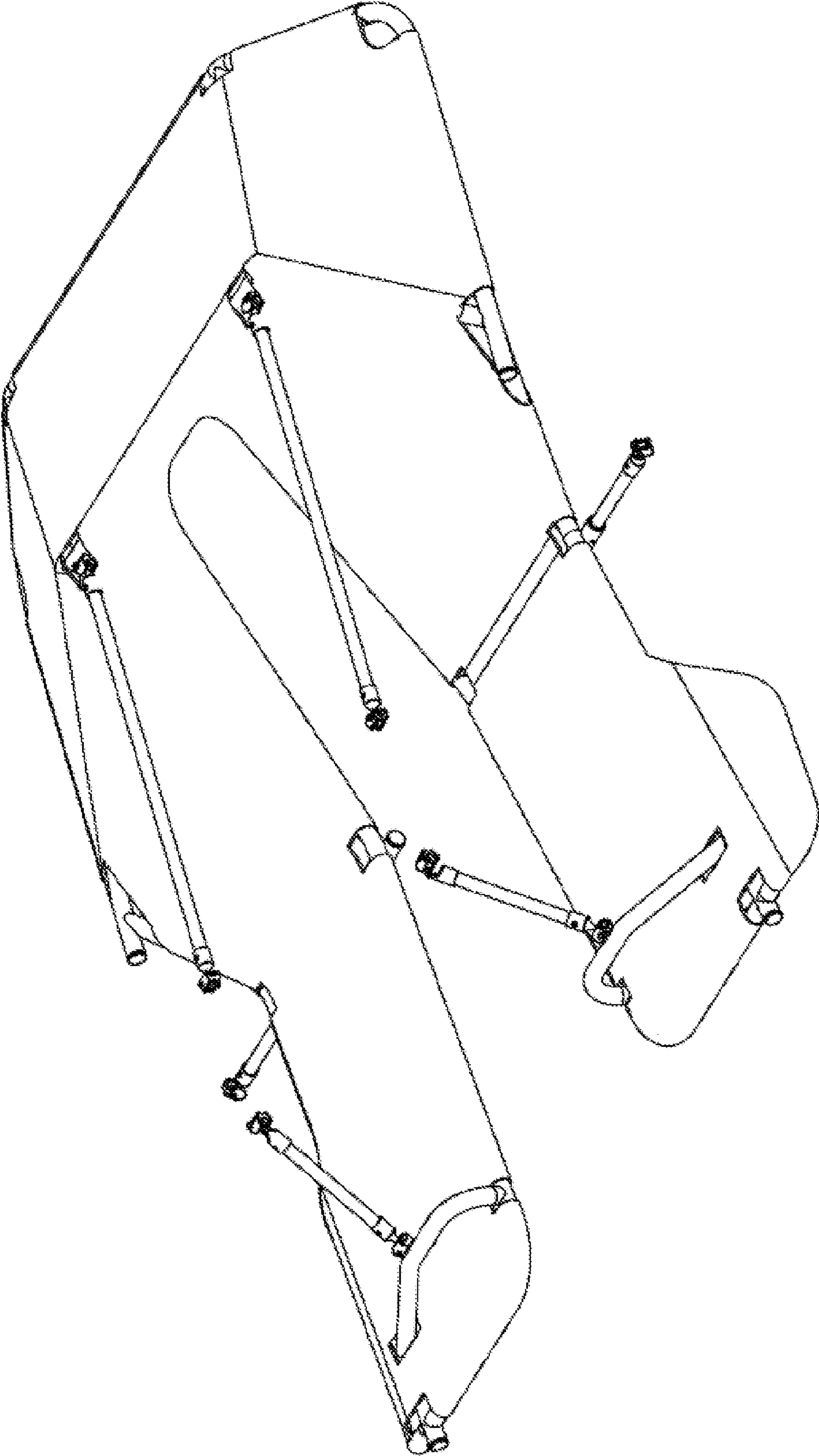


FIG. 1

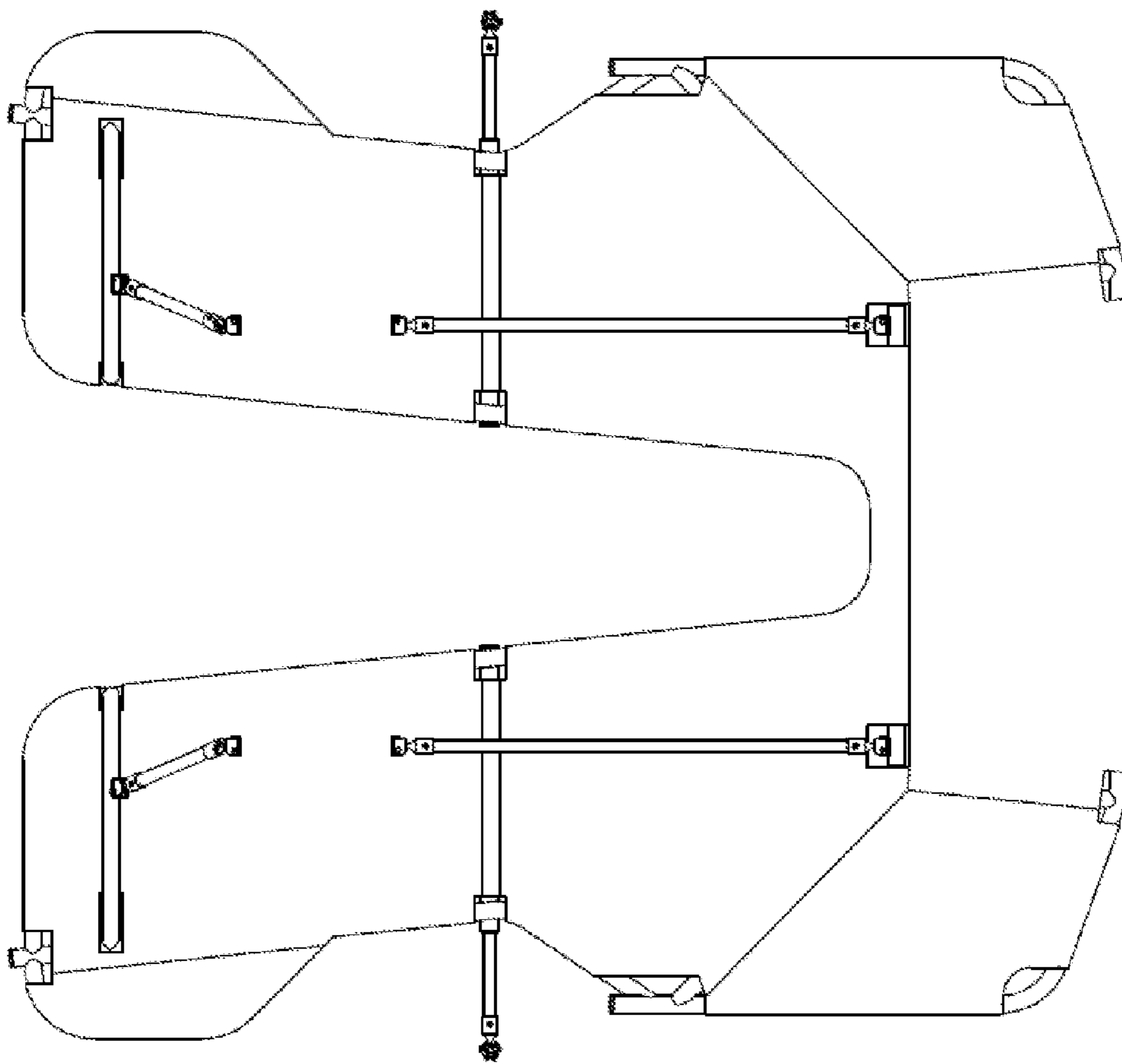


FIG. 2

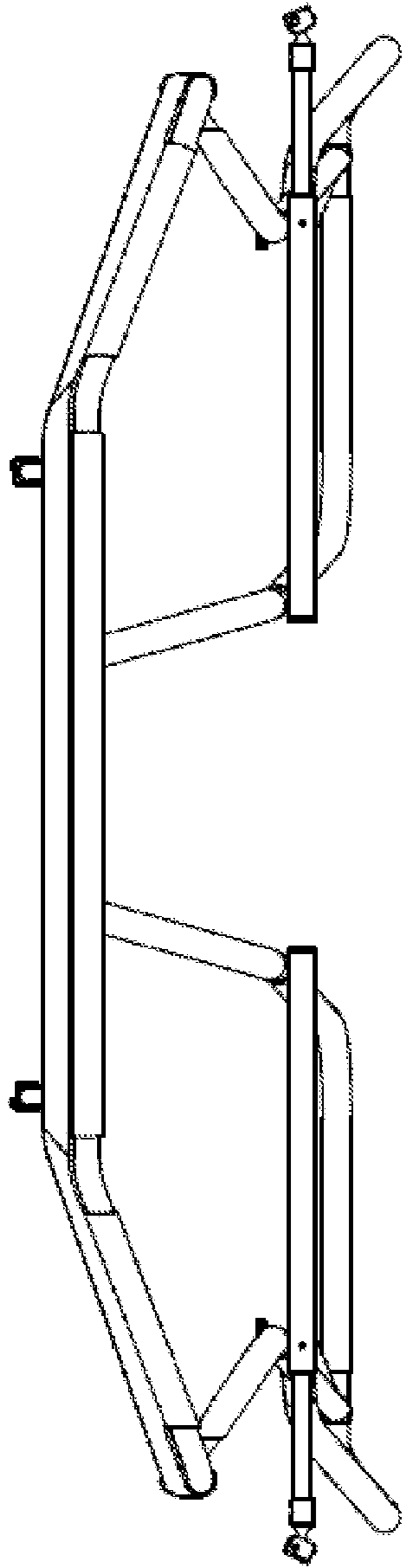


FIG. 3

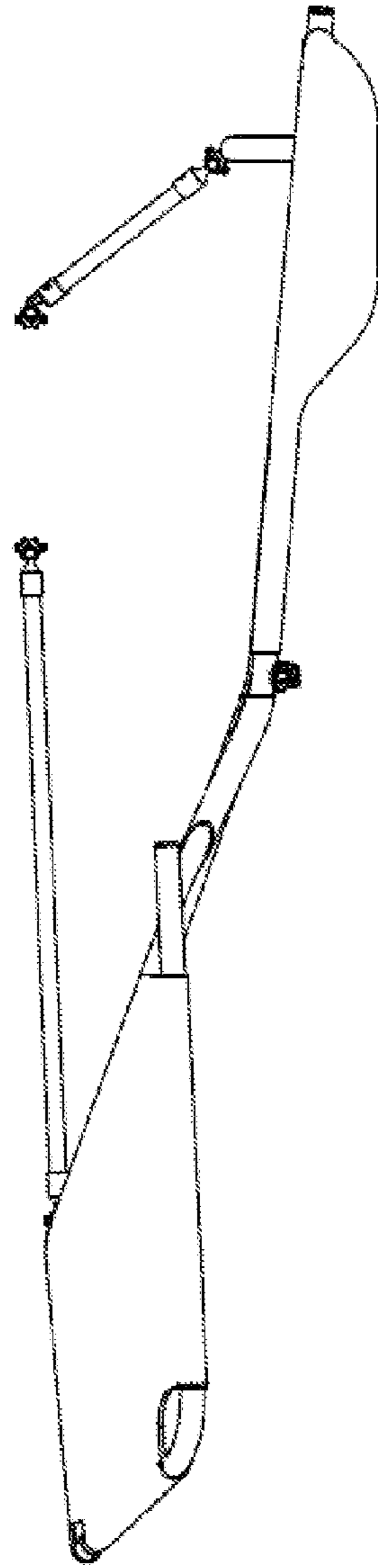


FIG. 4

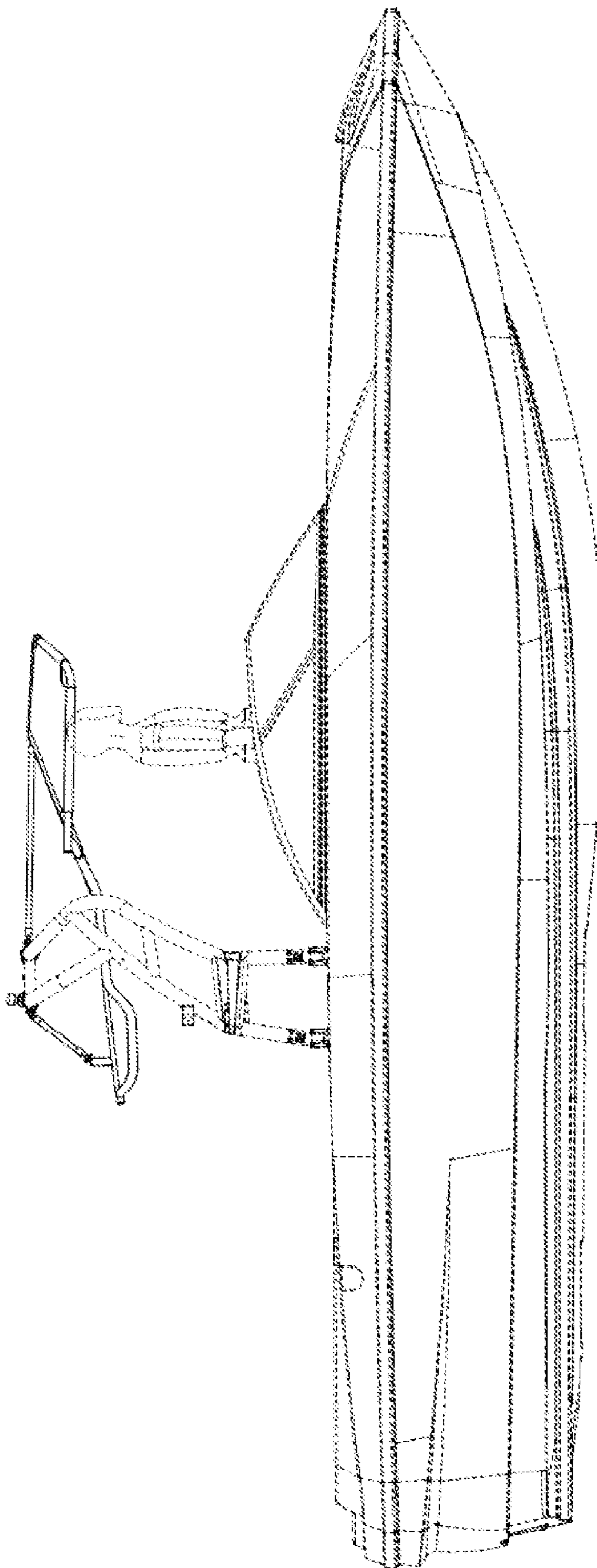


FIG. 5

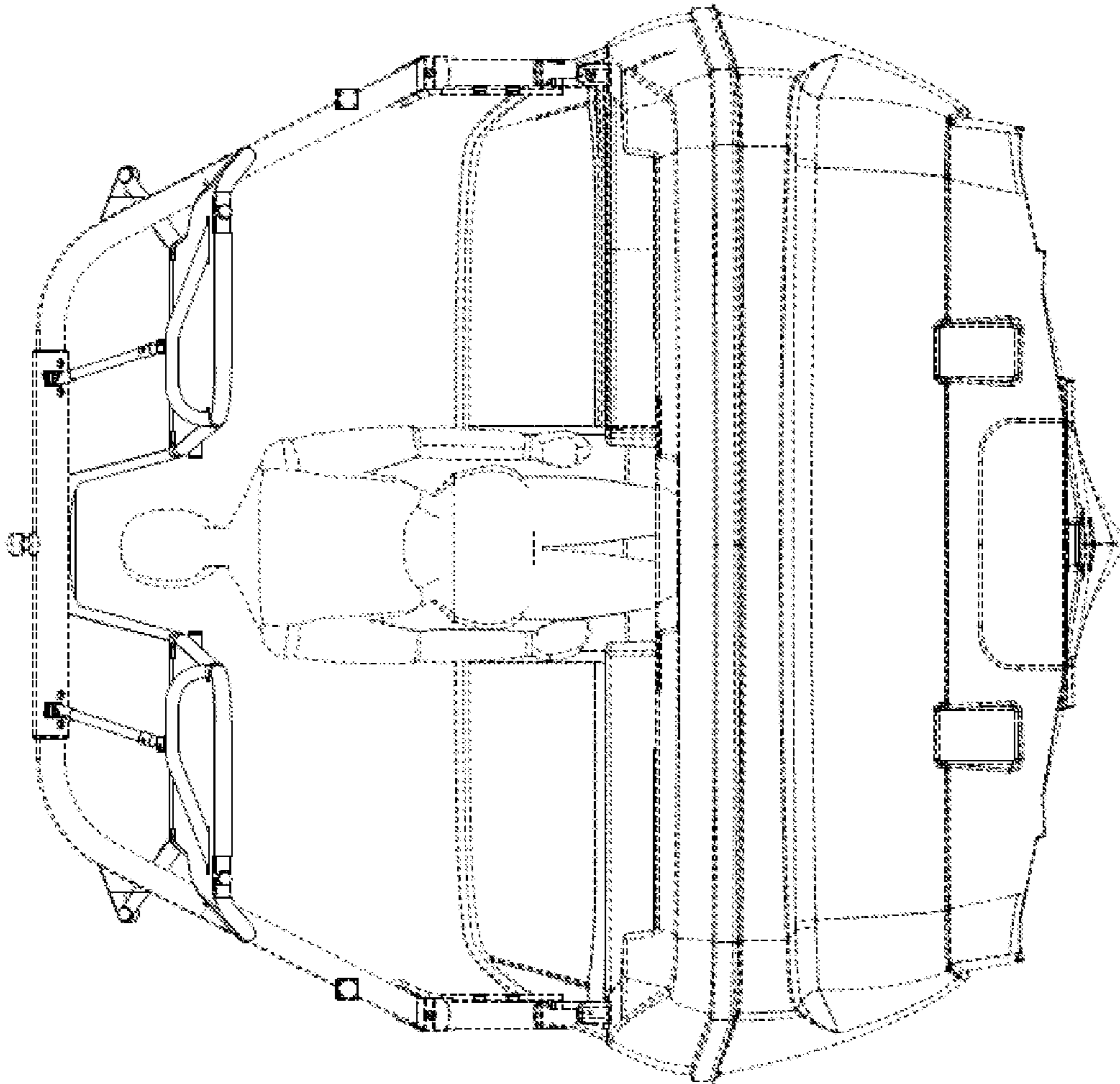


FIG. 6

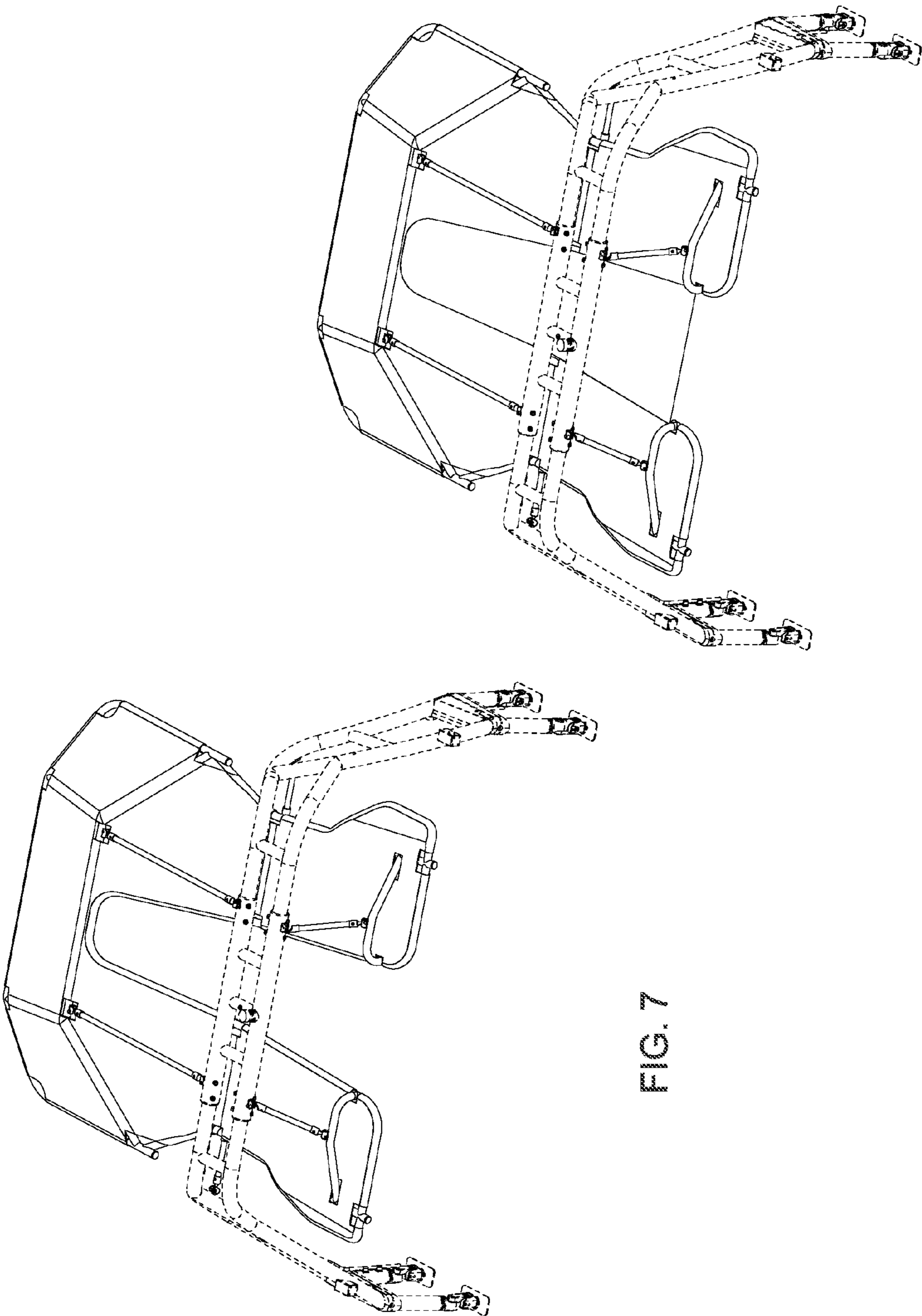


FIG. 7

FIG. 8

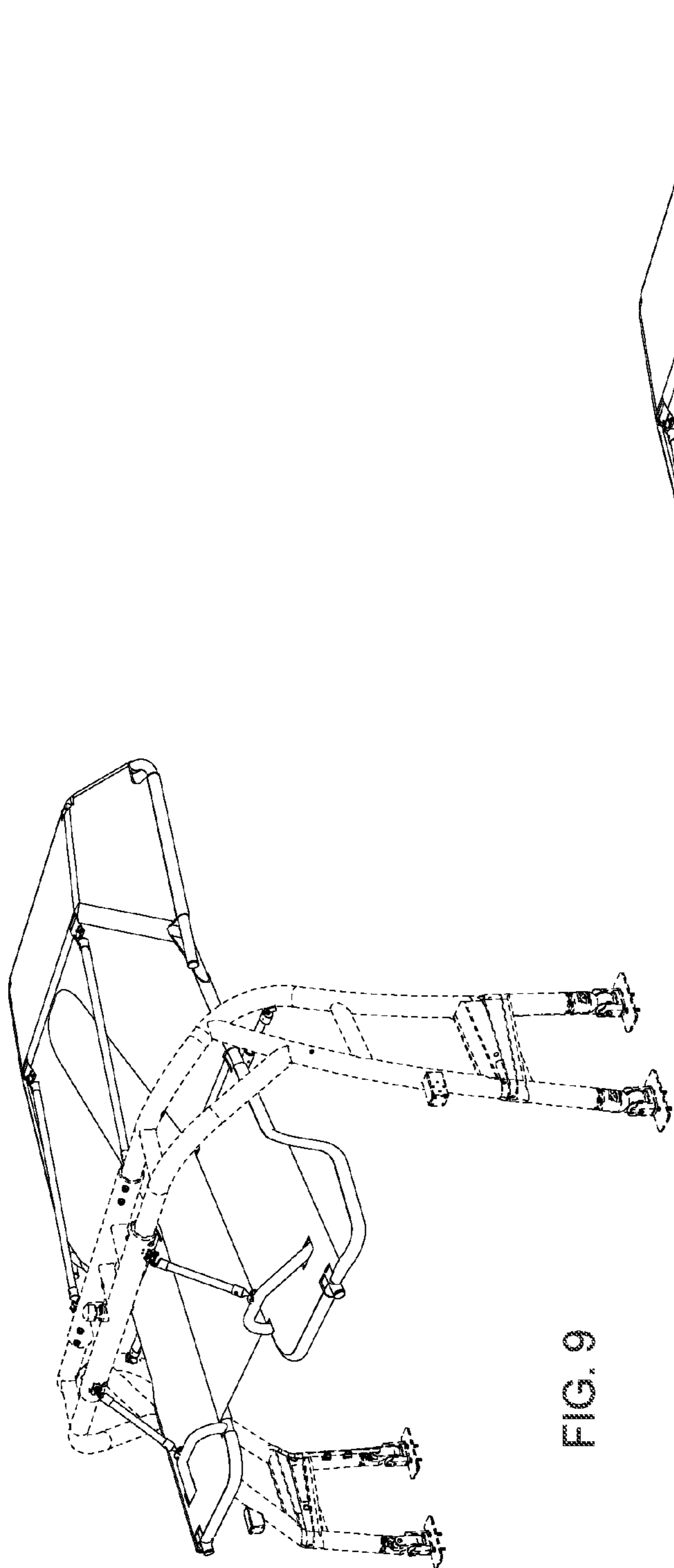


FIG. 9

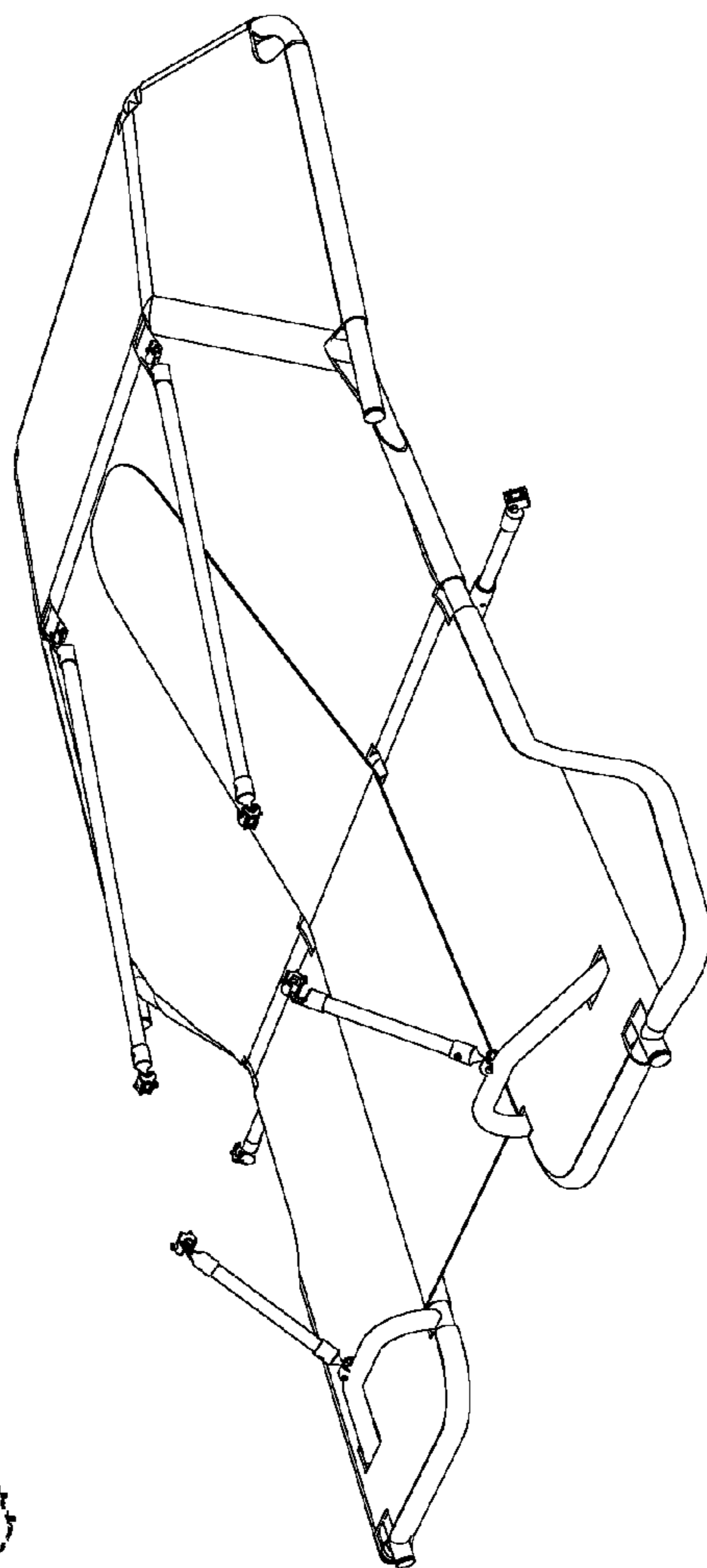


FIG. 10

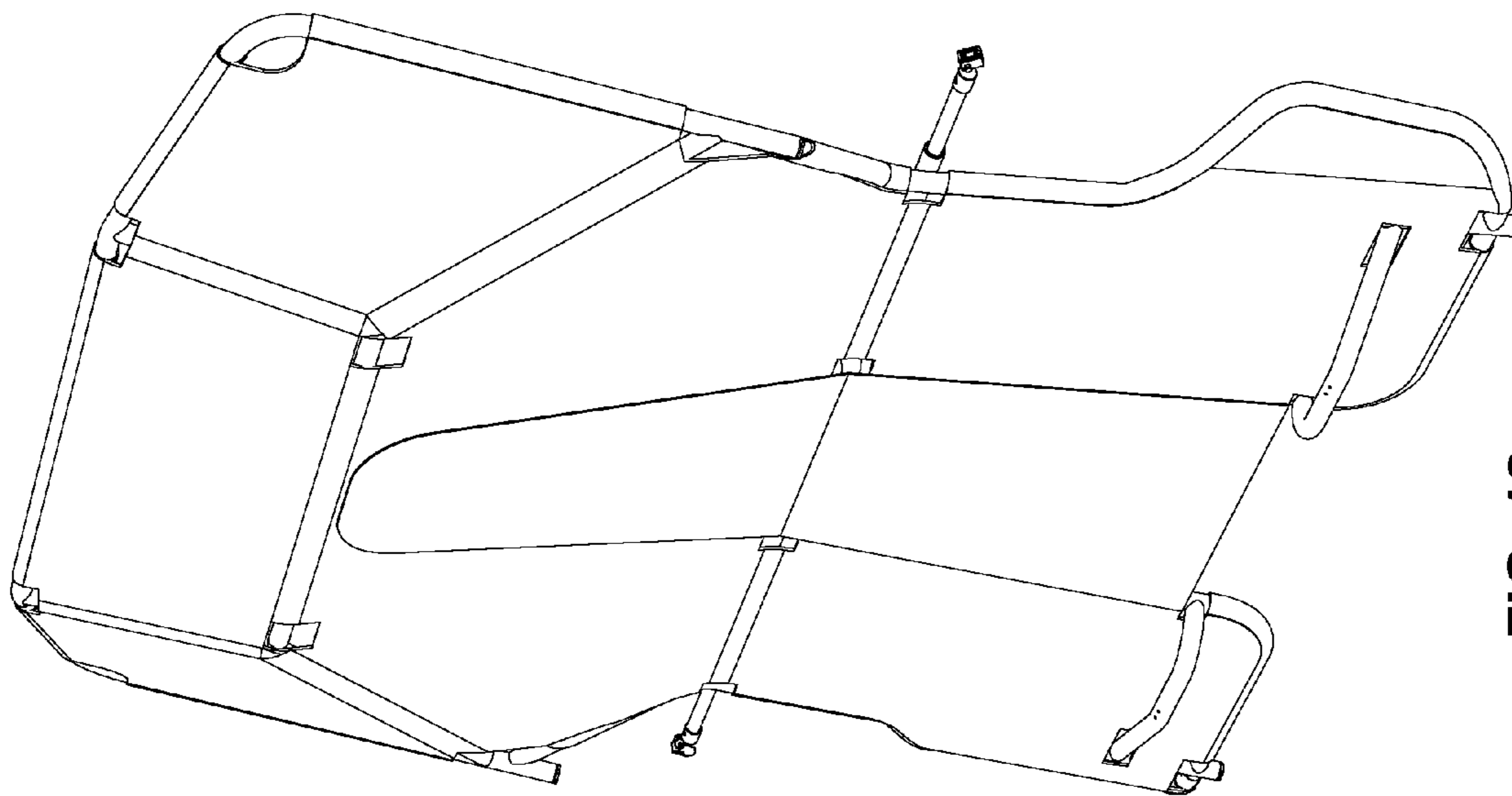


FIG. 12

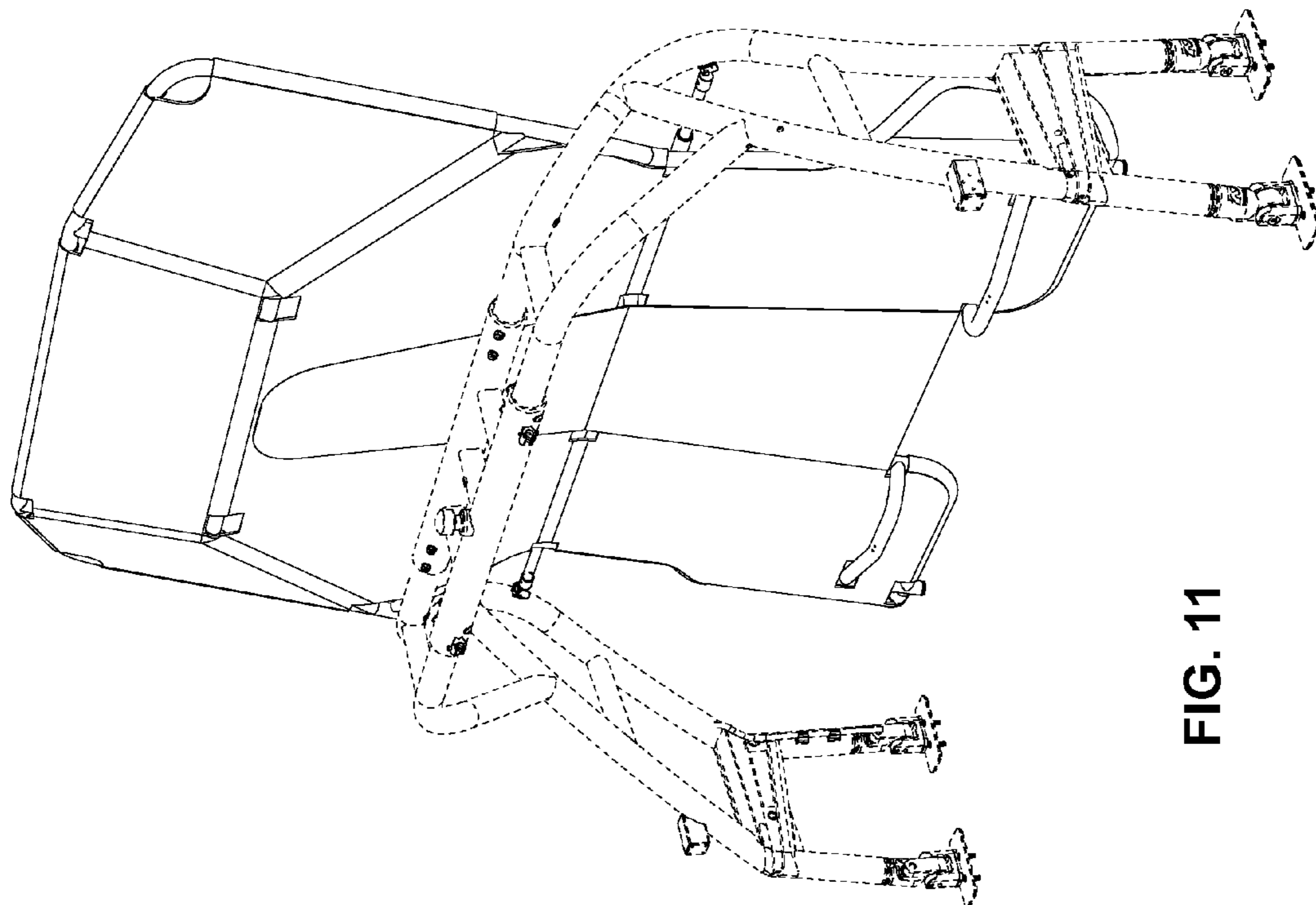


FIG. 11

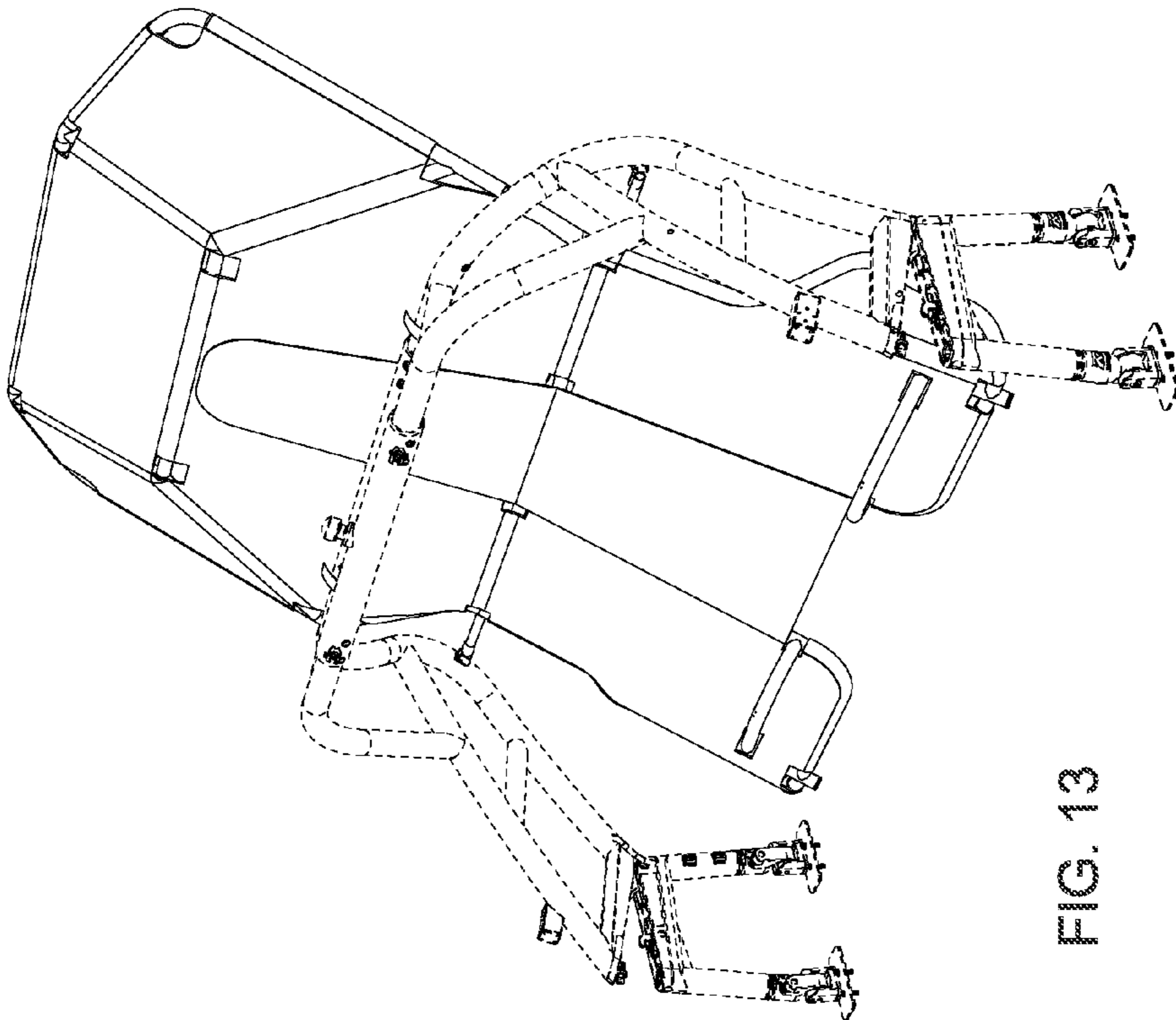


FIG. 13

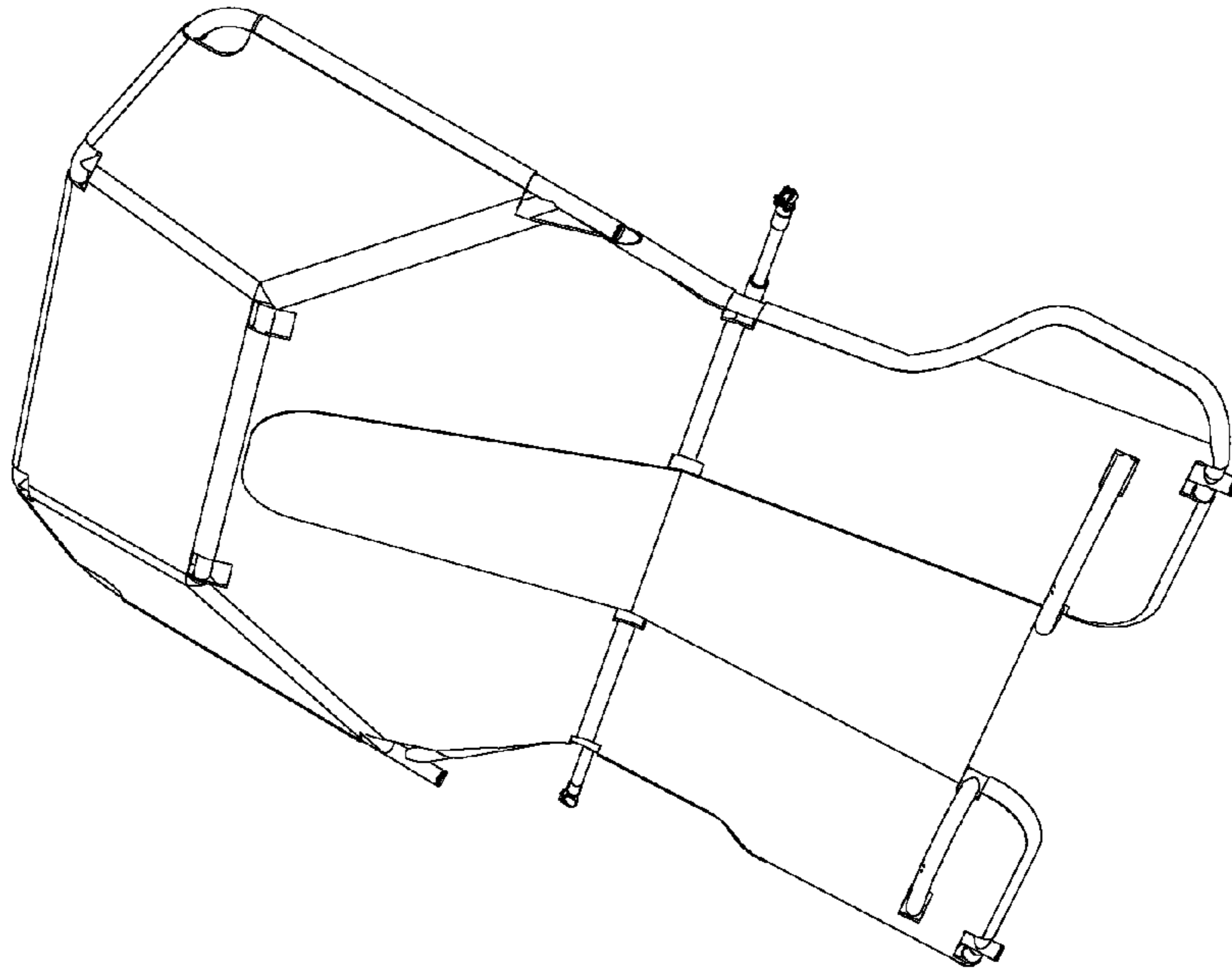


FIG. 14

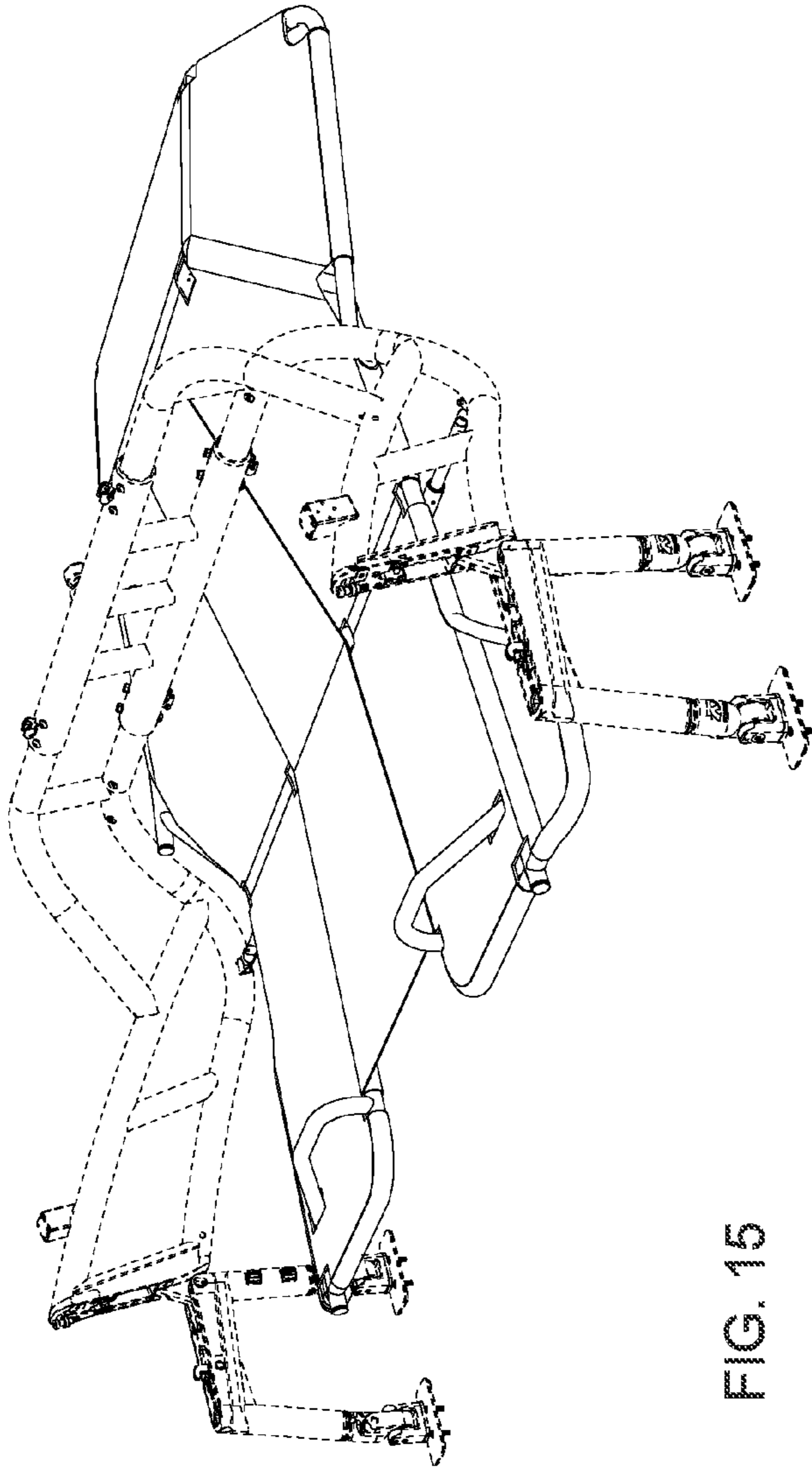


FIG. 15

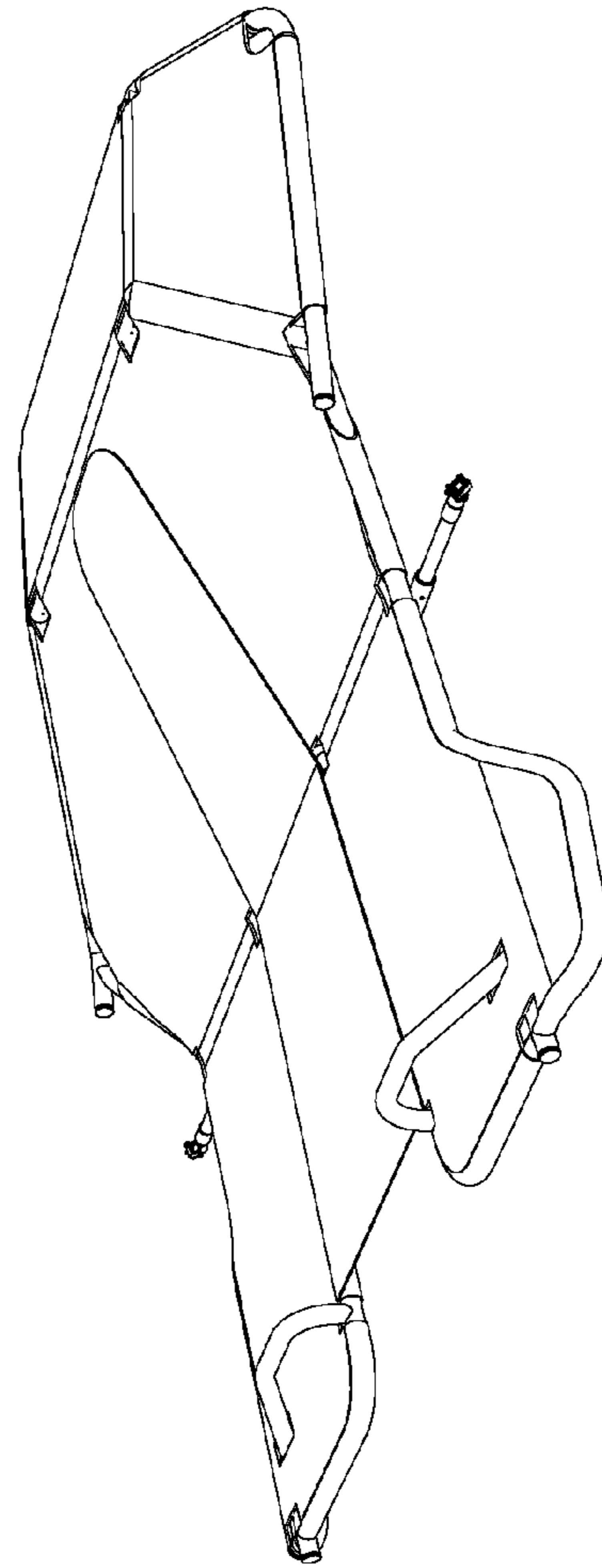


FIG. 16