



US00D737189S

(12) **United States Design Patent**
Claunch

(10) **Patent No.:** **US D737,189 S**

(45) **Date of Patent:** **** Aug. 25, 2015**

- (54) **VEHICLE-WHEEL FRONT FACE**
- (71) Applicant: **MOBILE HI-TECH WHEELS,**
Rancho Dominguez, CA (US)
- (72) Inventor: **Jeff E. Claunch,** Grass Valley, CA (US)
- (73) Assignee: **Mobile Hi-Tech Wheels,** Rancho
Dominguez, CA (US)
- (**) Term: **14 Years**
- (21) Appl. No.: **29/518,958**
- (22) Filed: **Feb. 27, 2015**
- (51) **LOC (10) Cl.** **12-16**
- (52) **U.S. Cl.**
USPC **D12/209**
- (58) **Field of Classification Search**
USPC D12/204–213
CPC B60B 7/00; B60B 7/02; B60B 7/04;
B60B 7/01; B60B 7/06; B60B 3/02; B60B
3/04; B60B 3/06; B60B 3/10; B60B 1/00;
B60B 1/08; B60B 1/10; B60B 1/12
See application file for complete search history.

- D549,632 S * 8/2007 Sands D12/209
- D567,166 S * 4/2008 Bogani D12/209
- D609,624 S * 2/2010 Matsubara D12/211
- D688,190 S * 8/2013 Hodges D12/211
- D701,813 S * 4/2014 Kern D12/211
- D717,711 S * 11/2014 Kern D12/211
- D725,569 S * 3/2015 Komukai D12/209
- D726,089 S * 4/2015 Hodges D12/211

* cited by examiner

Primary Examiner — Stacia Cadmus

(74) *Attorney, Agent, or Firm* — Christie, Parker & Hale, LLP

(56) **References Cited**

U.S. PATENT DOCUMENTS

- D393,442 S * 4/1998 Noriega D12/209
- D408,344 S * 4/1999 Kelley D12/209
- D533,496 S * 12/2006 Bogani et al. D12/209

(57) **CLAIM**

The ornamental design for vehicle-wheel front face, as shown and described.

DESCRIPTION

FIG. 1 is a perspective view of a vehicle wheel front face according to my new design;
 FIG. 2 is a front elevational view thereof; and,
 FIG. 3 is a side elevational view thereof.
 The broken lines showing the side of the wheel and the bolts and center cap in the central hub area are included for the purpose of illustrating environment and form no part of the claimed design.

1 Claim, 3 Drawing Sheets

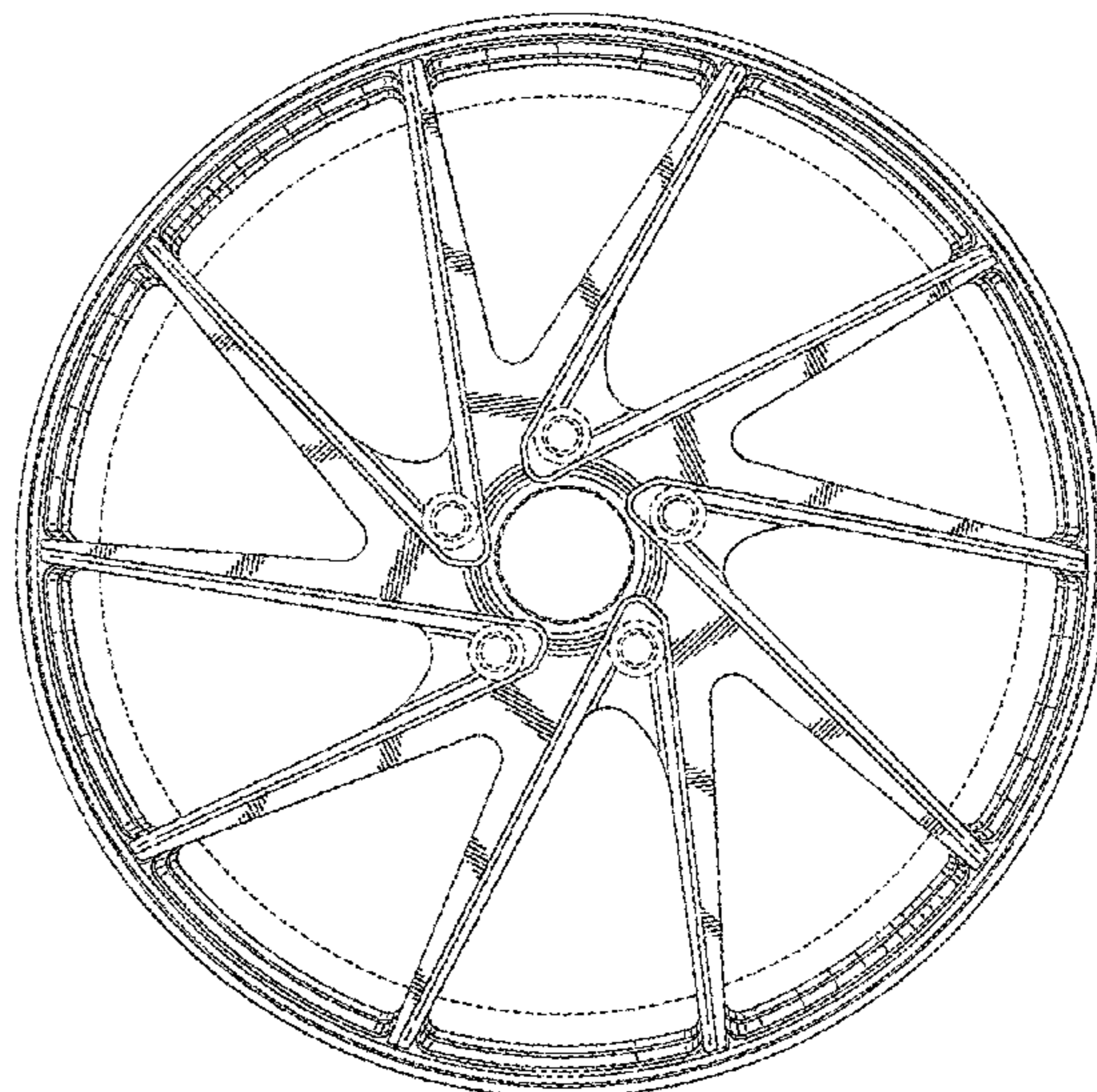
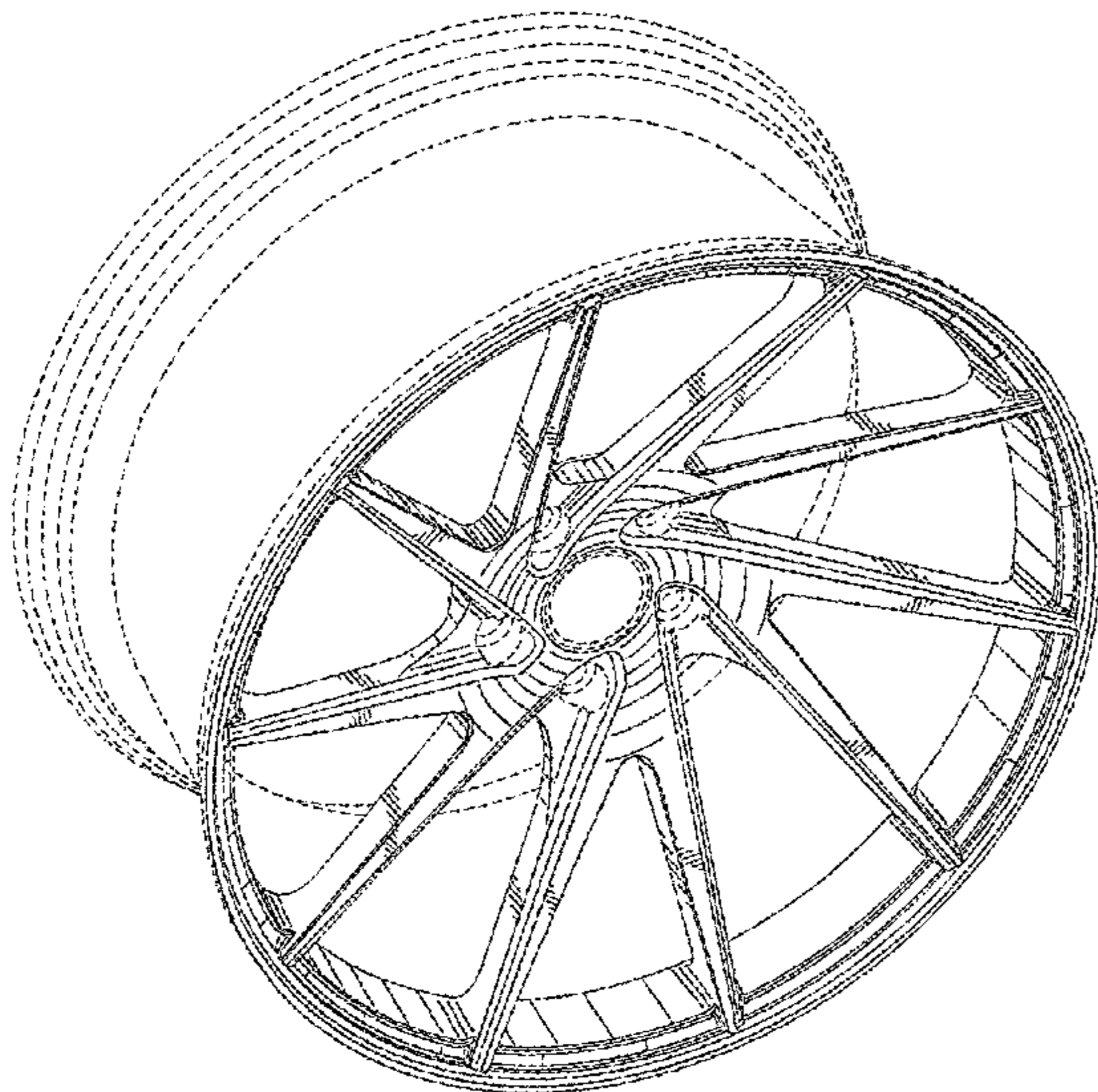


FIG. 1

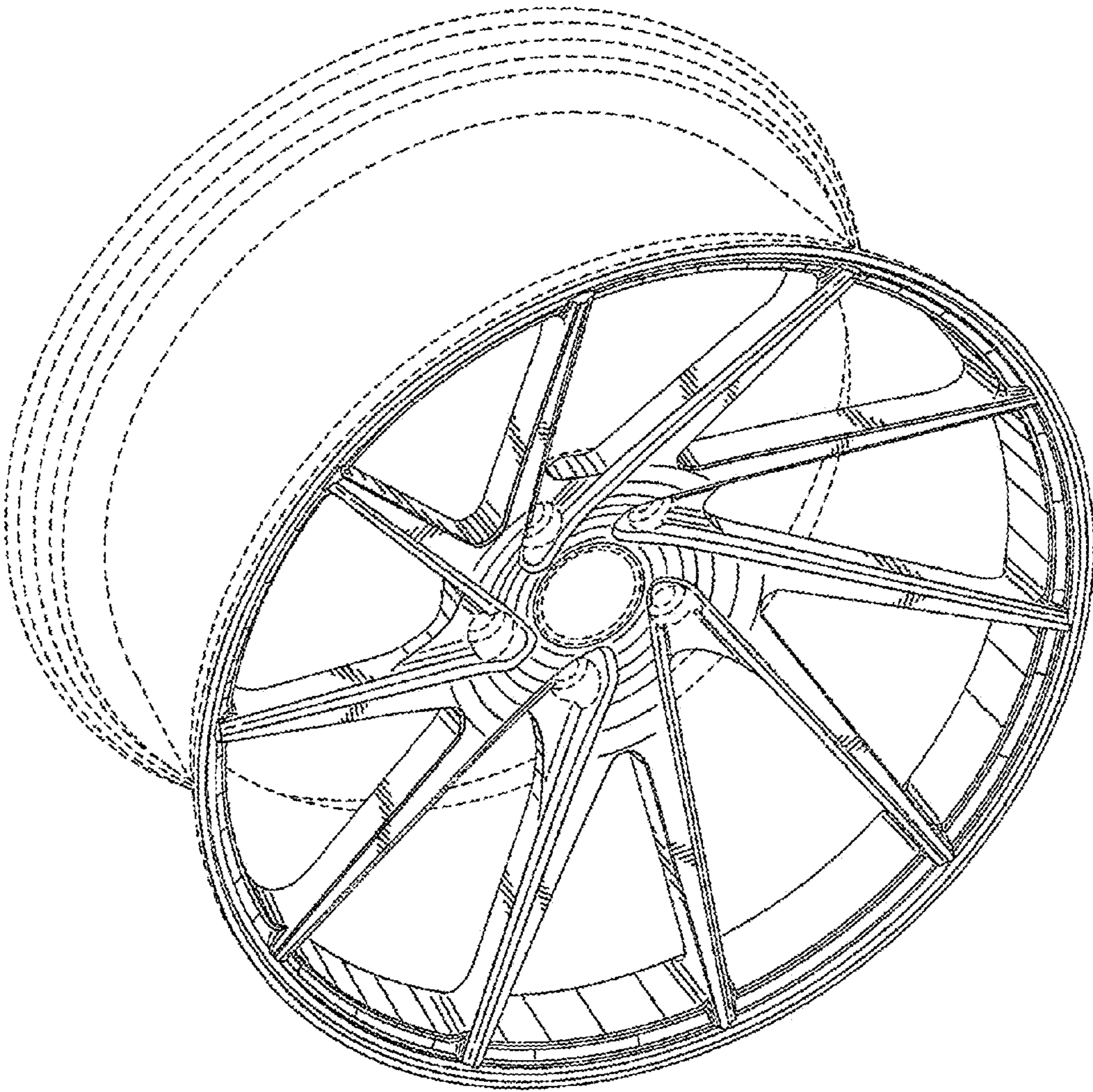


FIG. 2

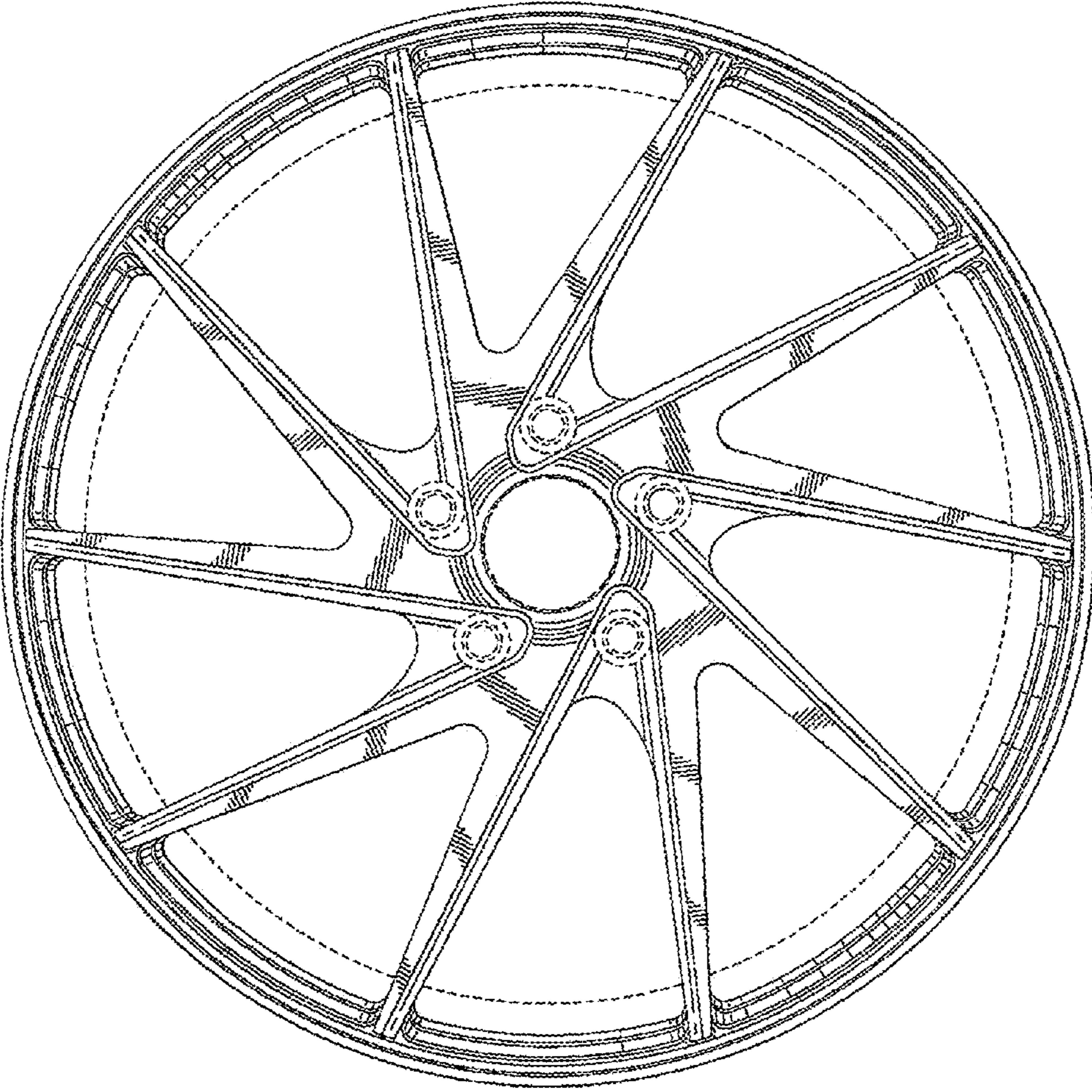


FIG. 3

