

US00D737188S

(12) **United States Design Patent**
Perkins

(10) **Patent No.:** **US D737,188 S**

(45) **Date of Patent:** **** Aug. 25, 2015**

- (54) **RECESSED VEHICLE SIDE STEP**
- (71) Applicant: **Boondock Side Steps LLC**, Oklahoma City, OK (US)
- (72) Inventor: **Anthony Perkins**, Oklahoma City, OK (US)
- (73) Assignee: **Boondock Bumpers, LLC**, Oklahoma City, OK (US)
- (**) Term: **14 Years**
- (21) Appl. No.: **29/450,276**
- (22) Filed: **Mar. 15, 2013**
- (51) **LOC (10) Cl.** **12-16**
- (52) **U.S. Cl.**
USPC **D12/203**
- (58) **Field of Classification Search**
USPC D12/89, 203, 314; 182/64.1, 127;
280/5.3, 163, 164.2, 166, 169, 291;
D25/62, 63, 68, 69
See application file for complete search history.

8,641,068	B1 *	2/2014	Bundy	280/163
2012/0228848	A1 *	9/2012	Fichter	280/163
2013/0221632	A1 *	8/2013	Higgs et al.	280/169

OTHER PUBLICATIONS

AR4 Xtreme Step Boards, Boondock Bumpers LLC. (Aug. 2014), [online], [site visited Dec. 1, 2014]. Available from internet, <URL: Retrieved from <http://www.goboondock.com/ar-steps.html>>.*

* cited by examiner

Primary Examiner — George D Kirschbaum

Assistant Examiner — Natasha Vujcic

(74) *Attorney, Agent, or Firm* — Hall Estill Law Firm; Michael S. Young

(57) **CLAIM**

The ornamental design for a recessed vehicle side step, as shown and described.

DESCRIPTION

FIG. 1 is a top perspective view of my design for a recessed vehicle side step;
FIG. 2 is a top plan view thereof;
FIG. 3 is a bottom plan view thereof;
FIG. 4 is a front elevational view thereof;
FIG. 5 is a rear elevational view thereof;
FIG. 6 is a right side elevational view thereof; and,
FIG. 7 is a left side elevational view thereof.

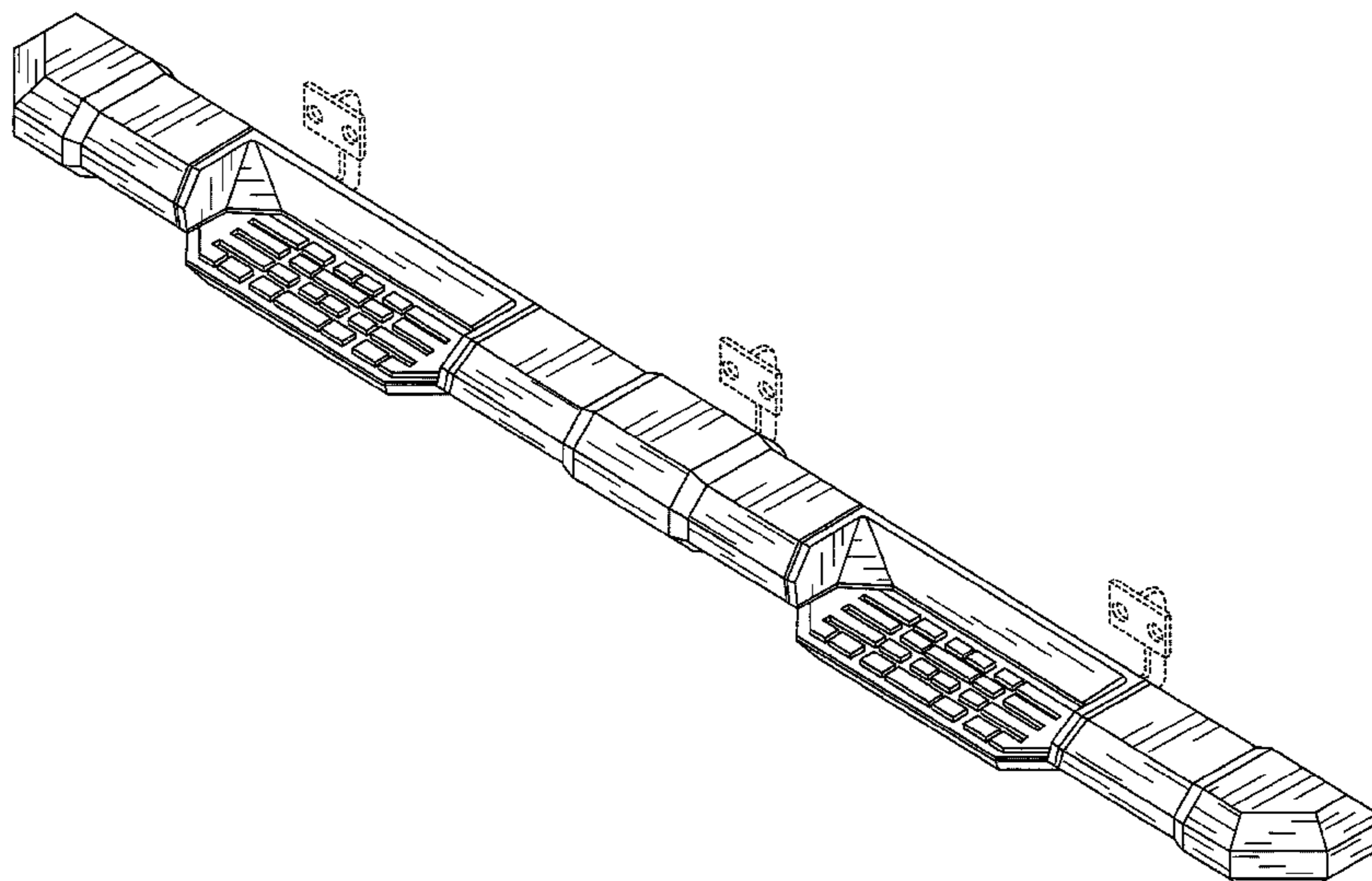
The broken lines in FIG. 3 that are within the claim surface, are immediately adjacent to the shaded areas, and defined regions that are unshaded and uninterrupted by solid-line features, represent the boundaries of the claim, while the broken lines in FIG. 1 are directed to environment. The broken lines form no part of the claimed design.

1 Claim, 3 Drawing Sheets

(56) **References Cited**

U.S. PATENT DOCUMENTS

D292,904	S *	11/1987	Bielby	D12/203
D340,905	S *	11/1993	Orth et al.	D12/203
D474,435	S *	5/2003	Lund et al.	D12/203
D546,745	S *	7/2007	Storer	D12/203
7,287,770	B2 *	10/2007	Drabant et al.	280/163
7,909,344	B1 *	3/2011	Bundy	280/163
D665,713	S *	8/2012	Pochurek et al.	D12/203
D671,874	S *	12/2012	Kekich et al.	D12/203
8,448,968	B1 *	5/2013	Grote et al.	280/163



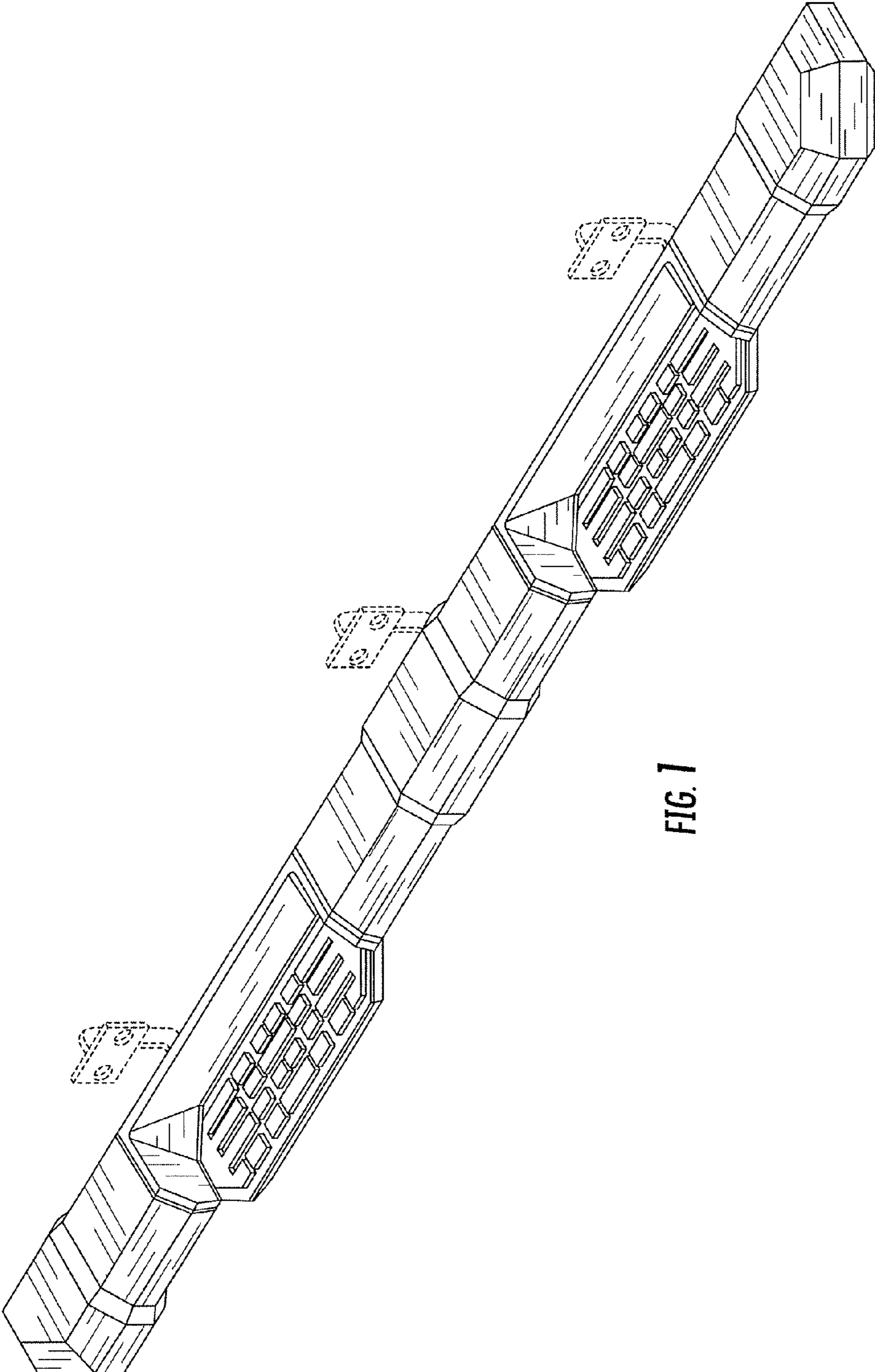


FIG. 1

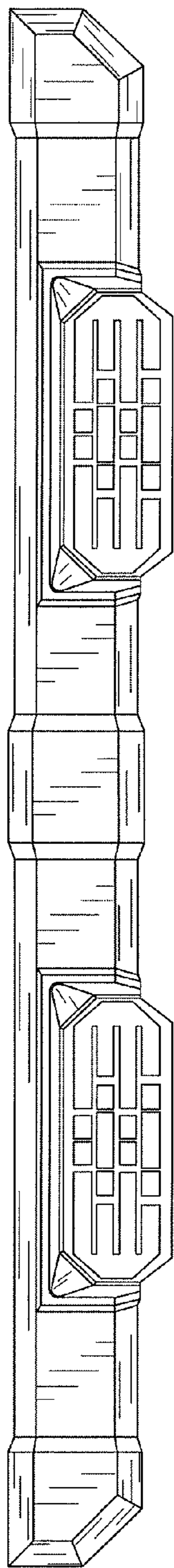


FIG. 2

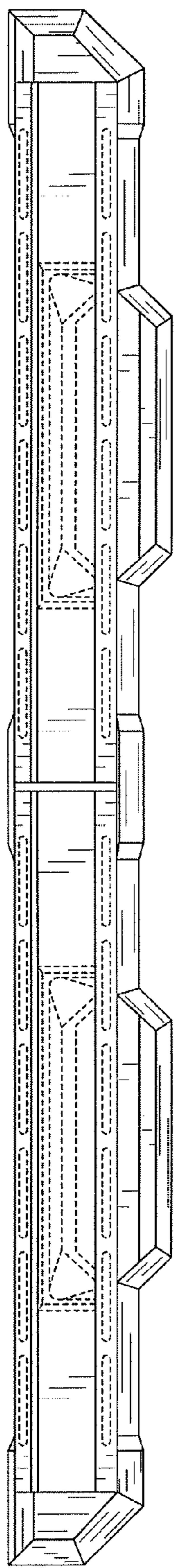


FIG. 3

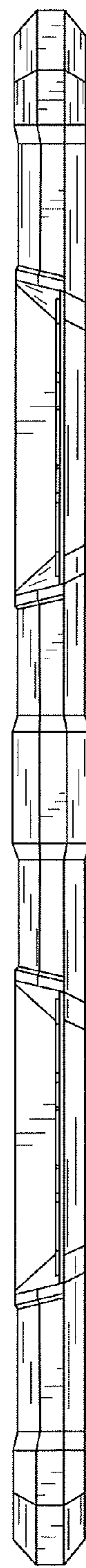


FIG. 4

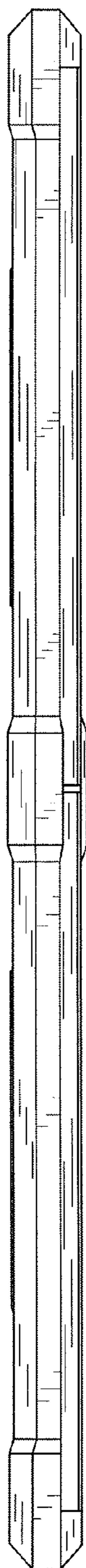


FIG. 5

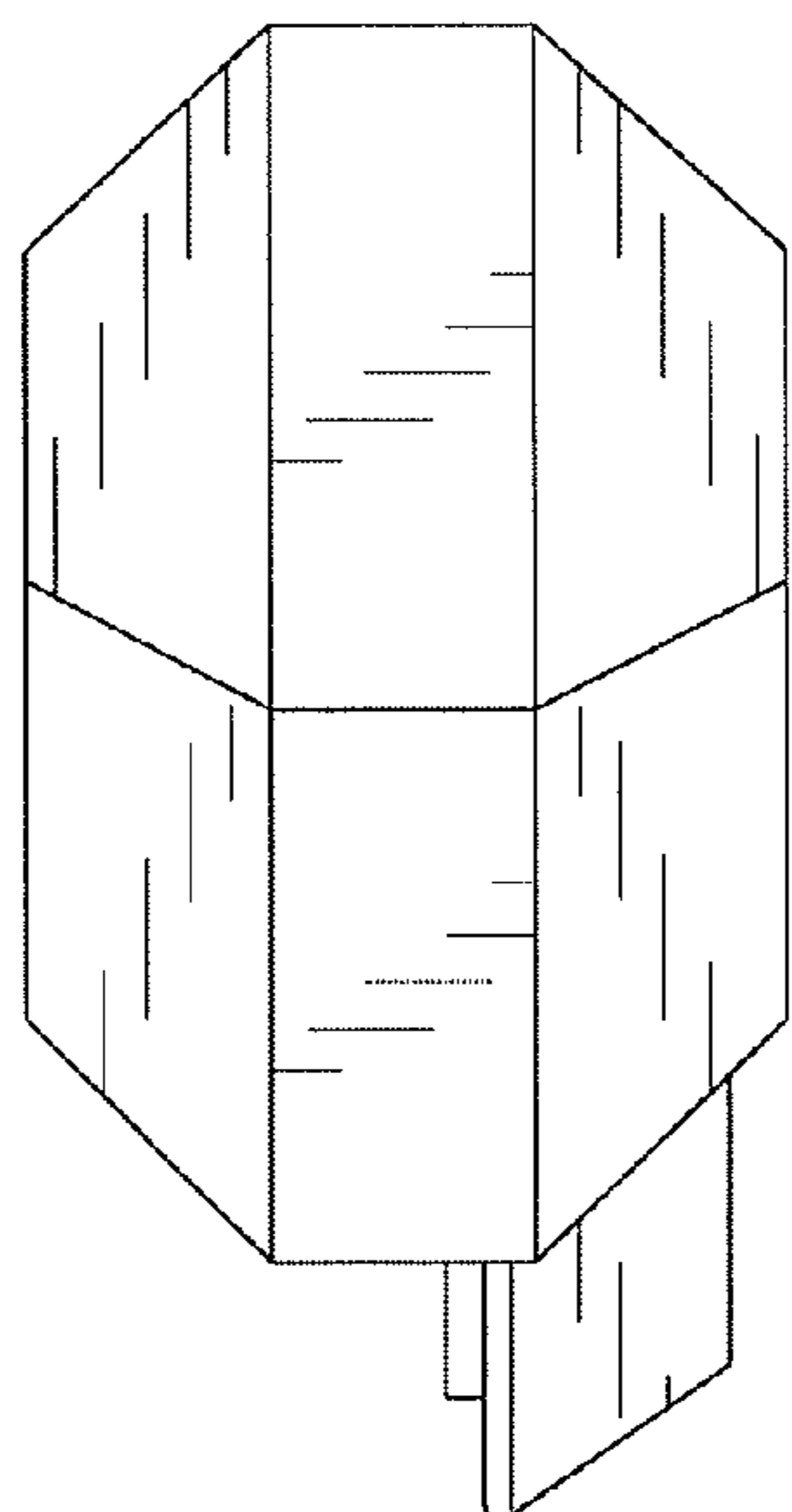


FIG. 6

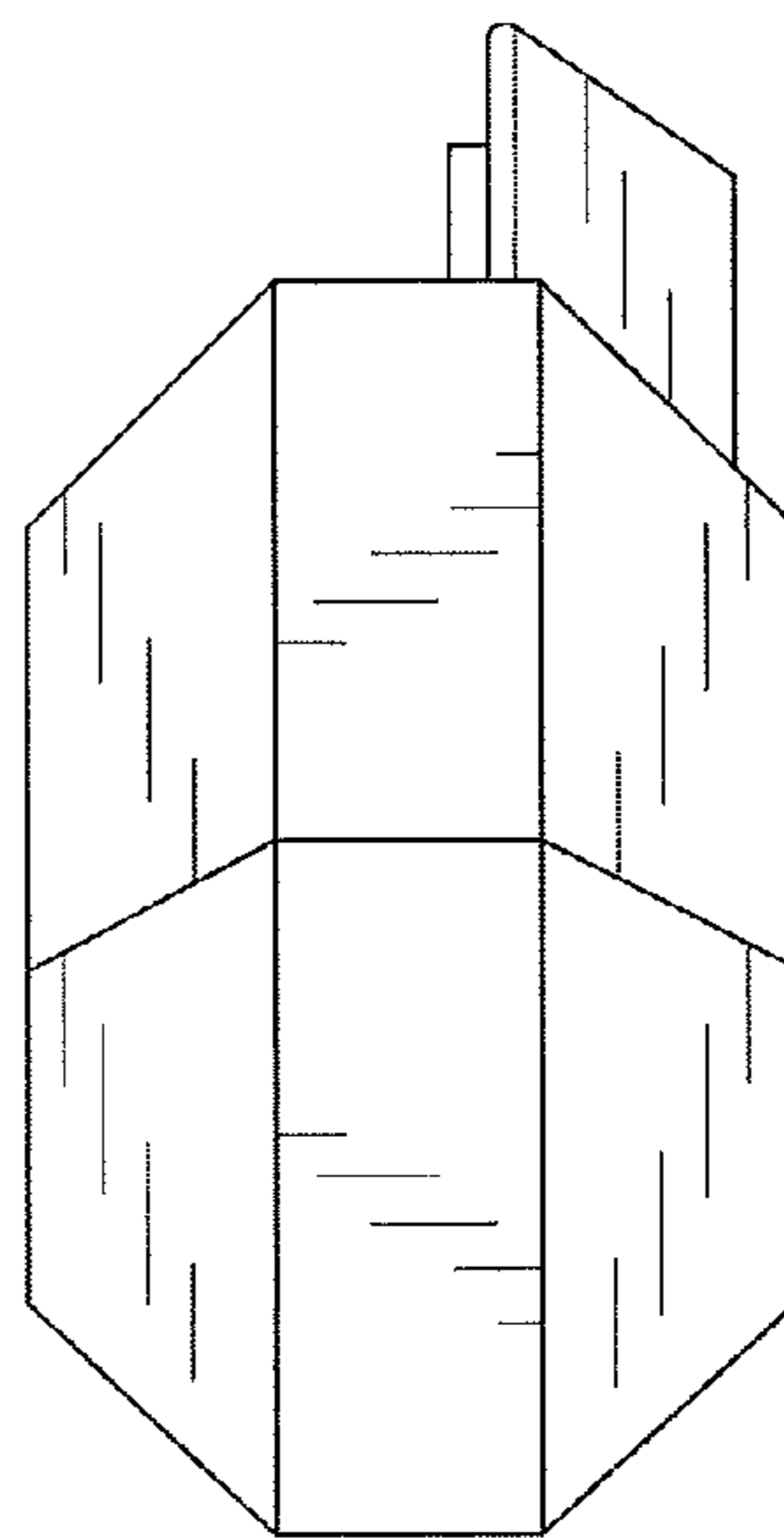


FIG. 7