



US00D737187S

(12) **United States Design Patent**
Oosuda et al.

(10) **Patent No.:** **US D737,187 S**

(45) **Date of Patent:** **** Aug. 25, 2015**

(54) **INSTRUMENT PANEL FOR AN
AUTOMOBILE**

Primary Examiner — Katrina A Betton

(74) *Attorney, Agent, or Firm* — Global IP Counselors, LLP

(71) Applicant: **Nissan Motor Co., Ltd.**, Yokohama,
Kanagawa (JP)

(72) Inventors: **Takashi Oosuda**, Kanagawa (JP);
Yosuke Takaki, Kanagawa (JP)

(57) **CLAIM**

The ornamental design for an instrument panel for an auto-
mobile, as shown and described.

(73) Assignee: **Nissan Motor Co., Ltd.**, Yokohama (JP)

(**) Term: **14 Years**

DESCRIPTION

(21) Appl. No.: **29/476,501**

(22) Filed: **Dec. 13, 2013**

(30) **Foreign Application Priority Data**

Jun. 19, 2013 (JP) 2013-013822

(51) **LOC (10) Cl.** **12-16**

(52) **U.S. Cl.**
USPC **D12/192**

(58) **Field of Classification Search**
USPC D12/192, 415, 110, 114; 180/90;
280/750-752; 296/190.01-190.09,
296/191, 170; D15/17, 28; D10/46, 98,
D10/102-103, 122-127
See application file for complete search history.

FIG. 1 is a front elevational view of an instrument panel for an automobile in accordance with our new design;
FIG. 2 is a top plan view of the instrument panel in accordance with our new design of FIG. 1;
FIG. 3 is a bottom plan view of the instrument panel in accordance with our new design of FIGS. 1 and 2;
FIG. 4 is a left side elevational view of the instrument panel in accordance with our new design of FIGS. 1 to 3;
FIG. 5 is a right side elevational view of the instrument panel in accordance with our new design of FIGS. 1 to 4;
FIG. 6 is a front, left and bottom side perspective view of the instrument panel in accordance with our new design of FIGS. 1 to 5;
FIG. 7 is a front, right and top side perspective view of the instrument panel in accordance with our new design of FIGS. 1 to 6;
FIG. 8 is a front, right and top side perspective view of the instrument panel in accordance with our new design of FIGS. 1 to 7 in which the area with oblique hatching indicates a translucent portion; and,
FIG. 9 is a cross-sectional view of a segment taken along line 9-9 in FIG. 1.

(56) **References Cited**

U.S. PATENT DOCUMENTS

D690,614 S * 10/2013 Mascadri et al. D10/125
D697,849 S * 1/2014 Tanaka et al. D12/192
D697,851 S * 1/2014 Woo et al. D12/192

(Continued)

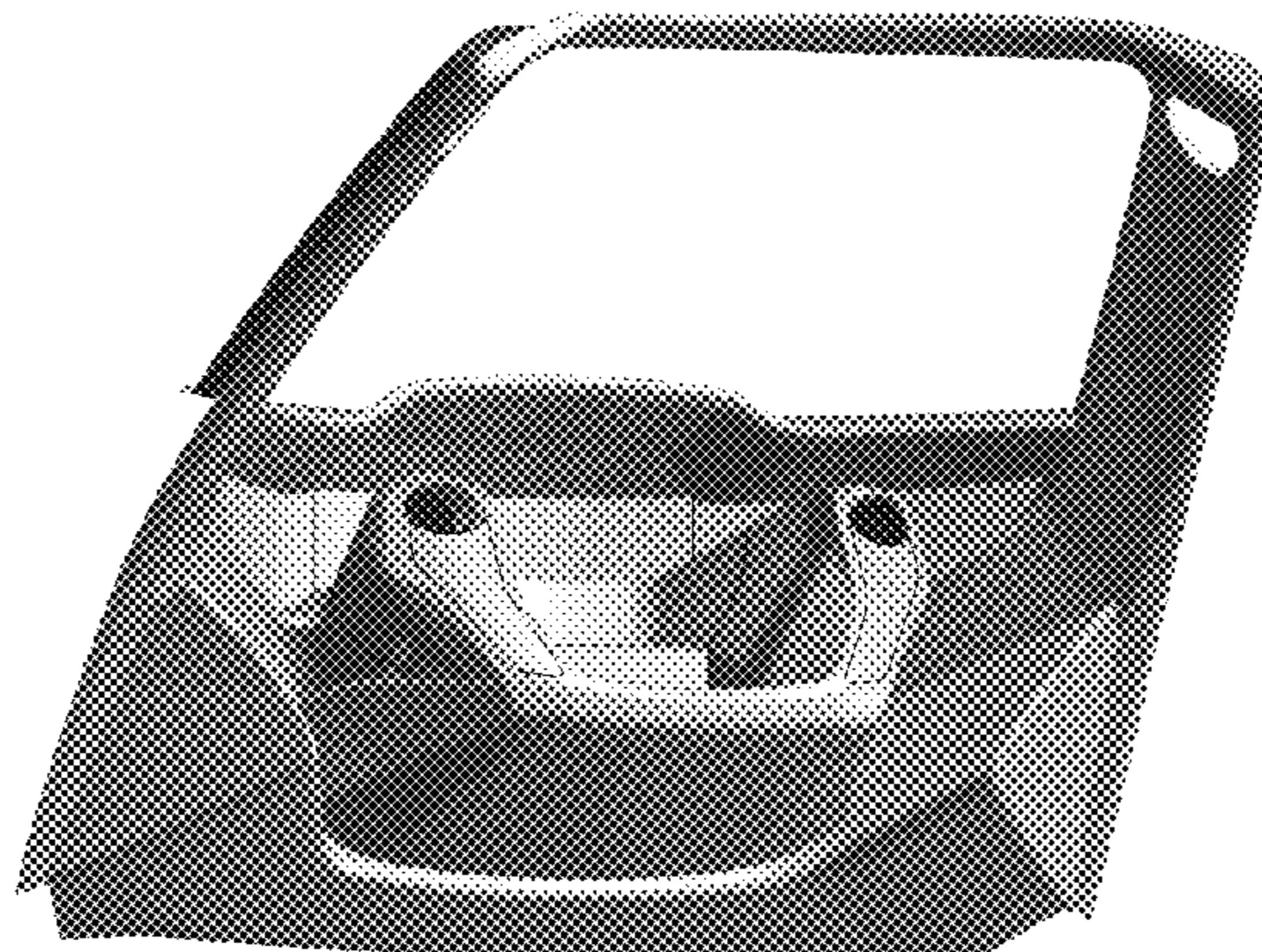
FOREIGN PATENT DOCUMENTS

JP D1086961 S 10/2000
JP D1218255 S 9/2004

(Continued)

The rear view of the instrument panel forms no part of the claimed design.
The cross sectional view of FIG. 9 is provided to clarify the exact contour or configuration of the exterior surface of the instrument panel, and no attempt is made to illustrate features of internal construction.
The shading of gray in the drawings is provided for purpose of depicting the shape of the three-dimensional article.

1 Claim, 9 Drawing Sheets



(56)

References Cited

D705,711 S * 5/2014 Yamamoto D12/192
D721,995 S * 2/2015 Johansson D12/192

U.S. PATENT DOCUMENTS

FOREIGN PATENT DOCUMENTS

D697,862 S * 1/2014 Nemeth et al. D12/345
D699,171 S * 2/2014 Matsuo D12/192
D704,608 S * 5/2014 Kanda et al. D12/192
D705,142 S * 5/2014 Yamamoto et al. D12/192
D705,143 S * 5/2014 Kawashima et al. D12/192
D705,144 S * 5/2014 Ishikawa et al. D12/192
D705,145 S * 5/2014 Mangan et al. D12/192
D705,146 S * 5/2014 Takagi et al. D12/192

JP D1339616 S 9/2008
JP D1340040 S 9/2008
JP D1369193 S 9/2009
JP D1384143 S 4/2010

* cited by examiner

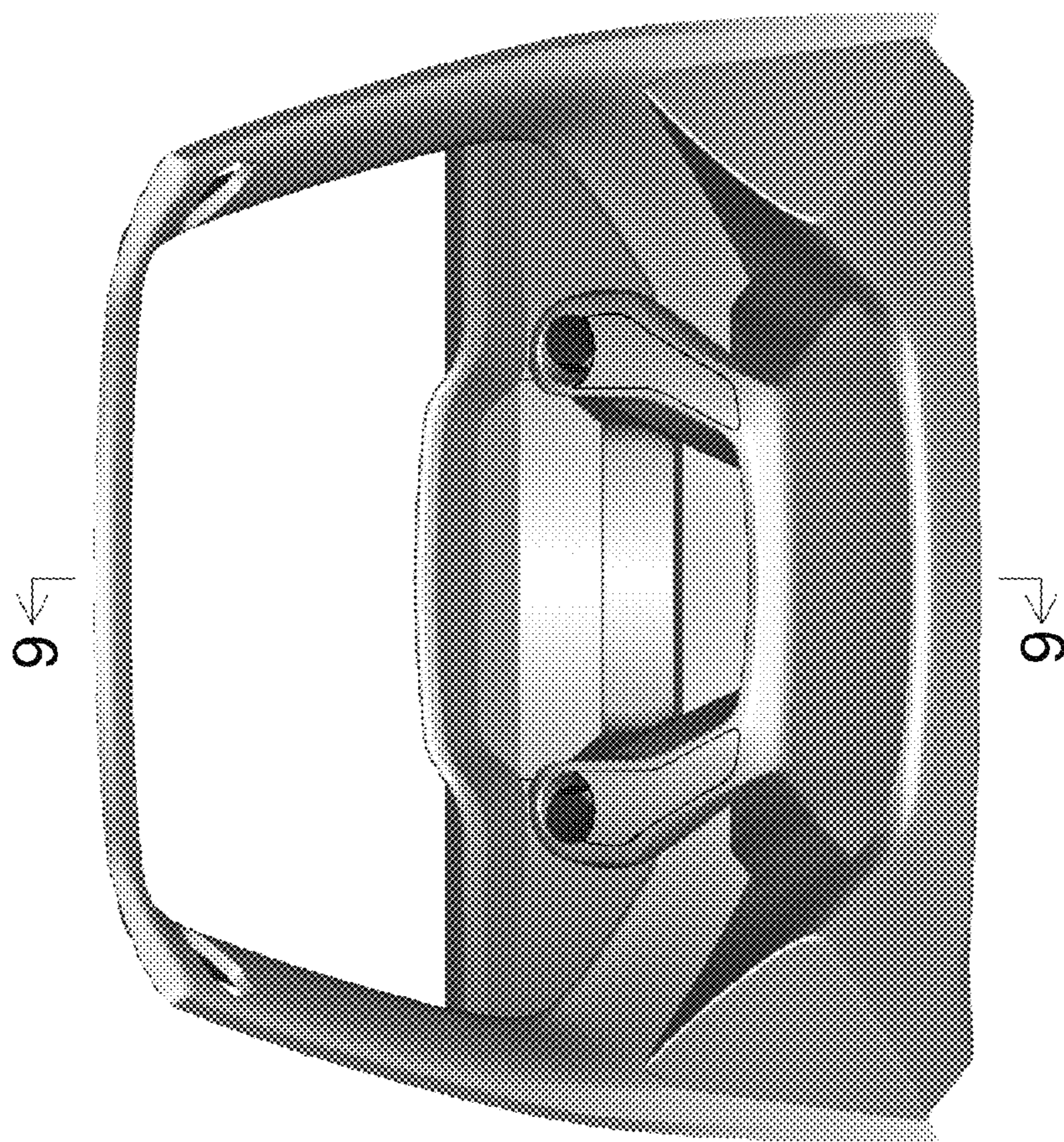


FIG. 1

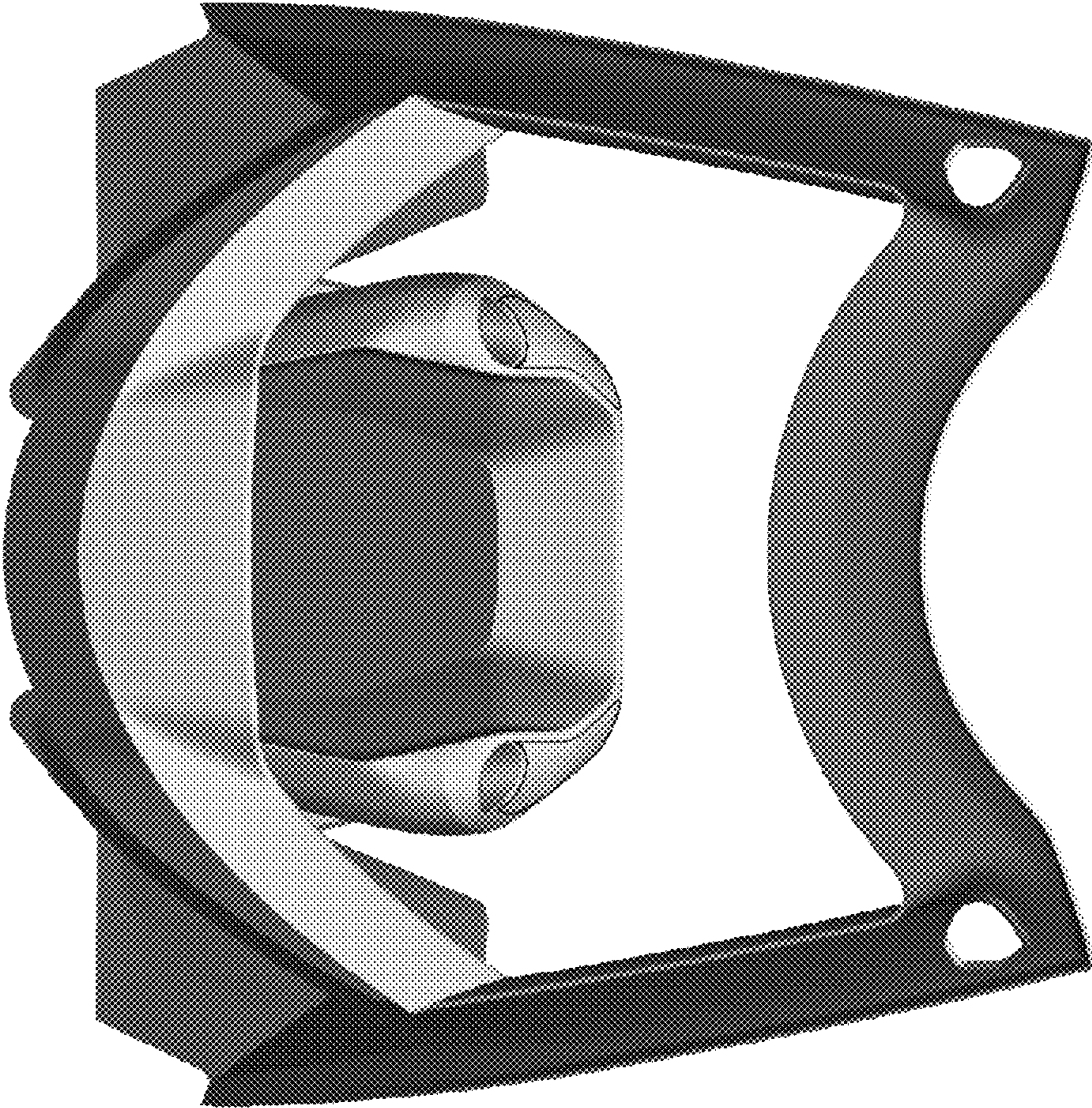


FIG. 2

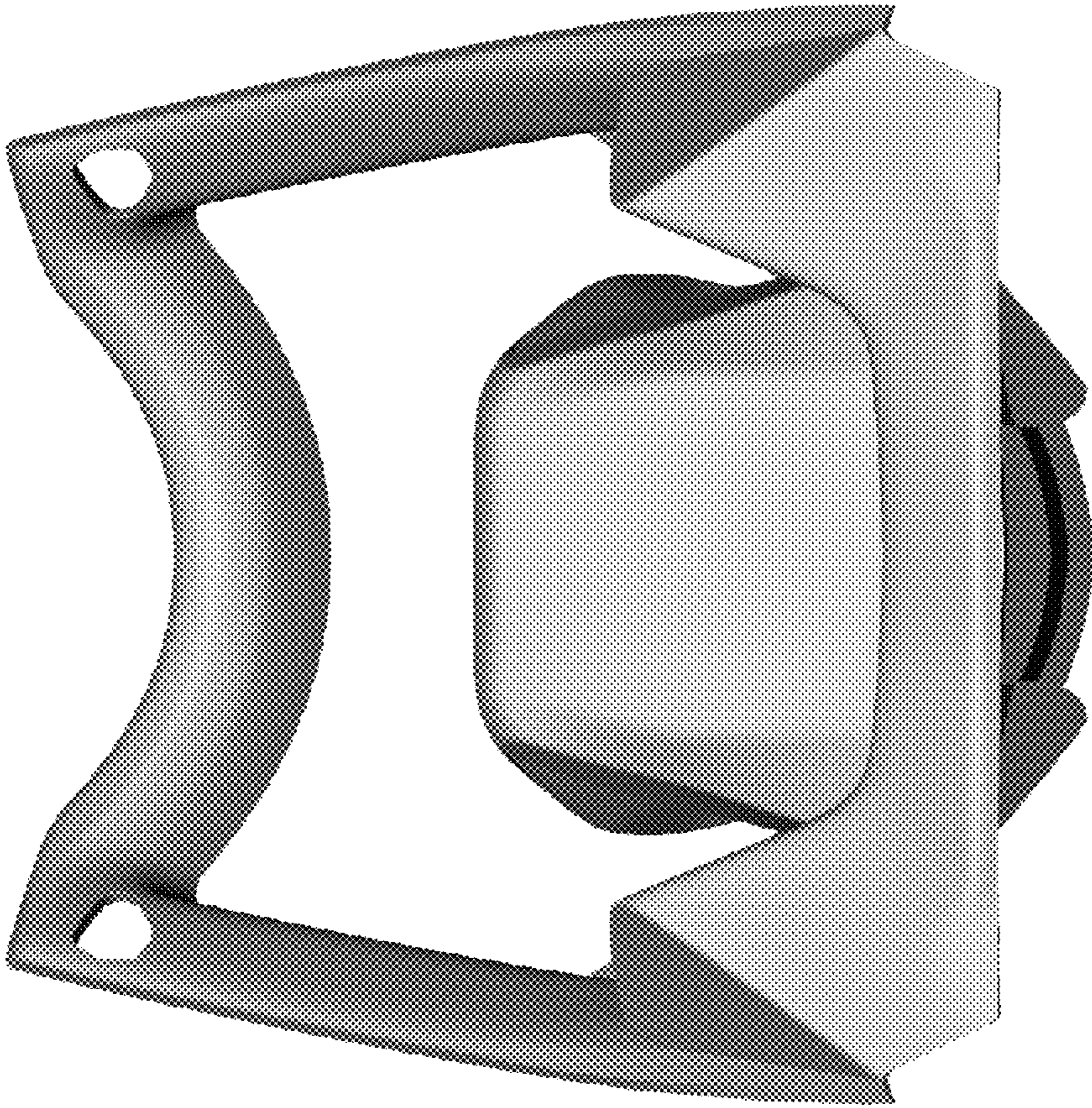


FIG. 3

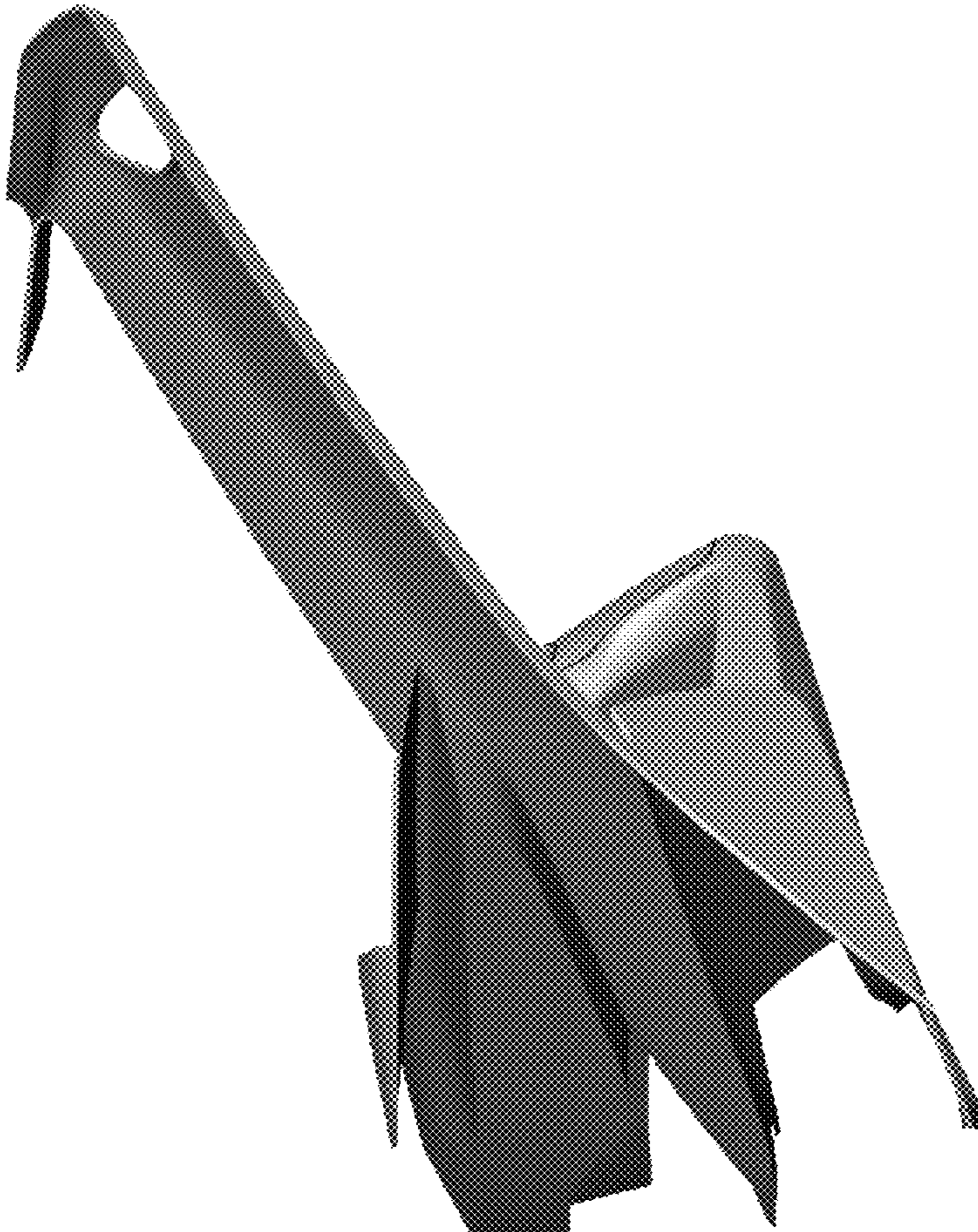


FIG. 4

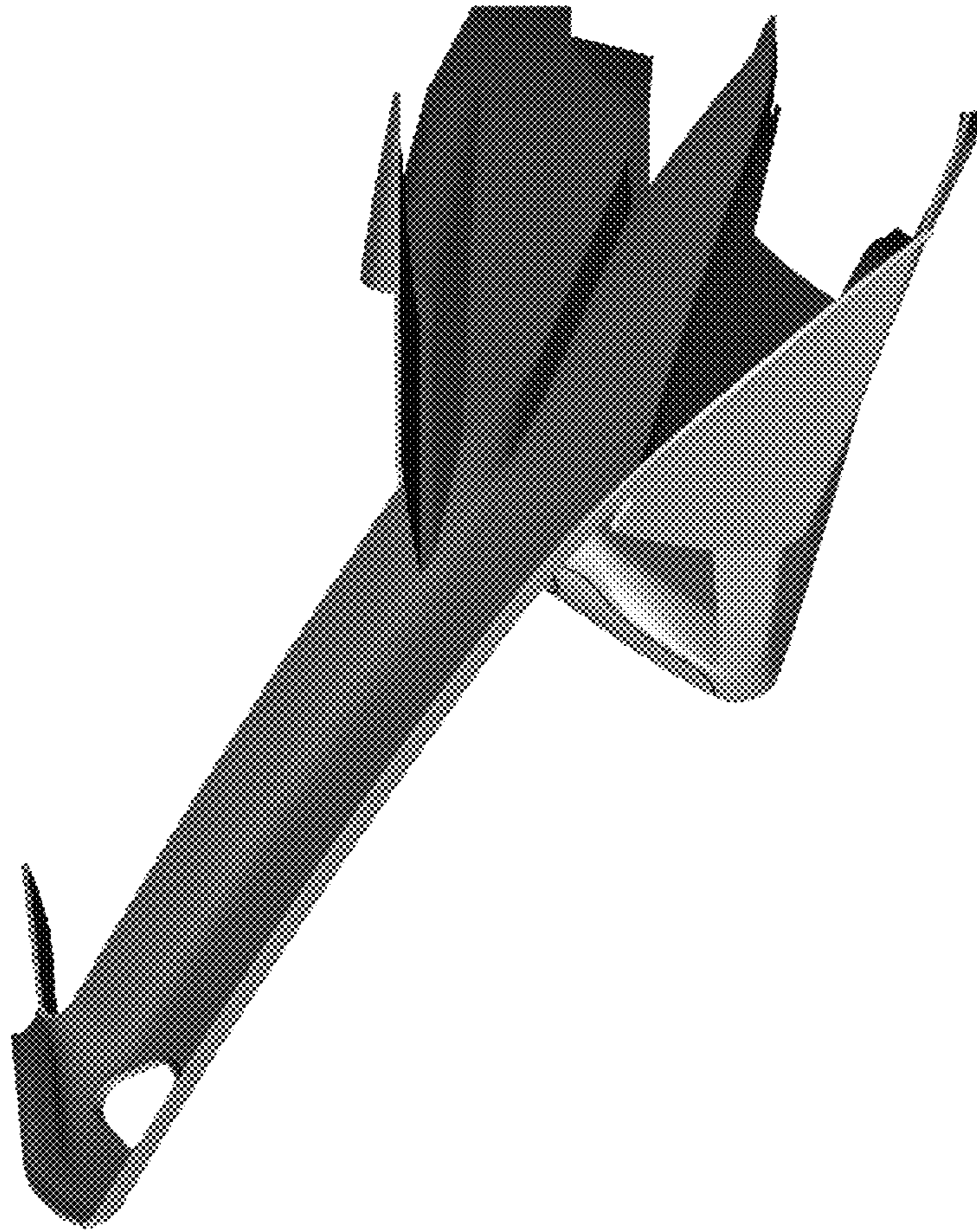


FIG. 5

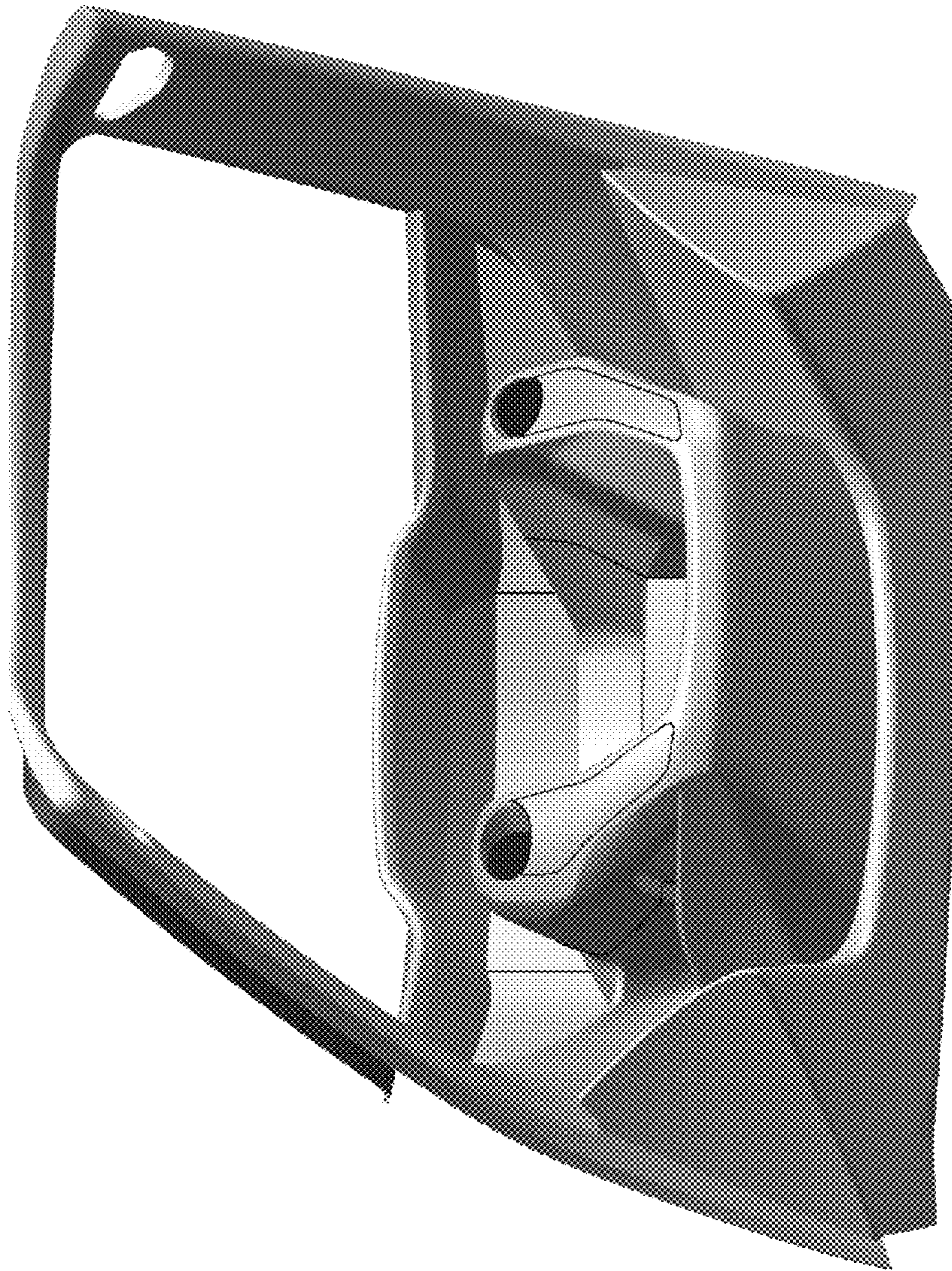


FIG. 6

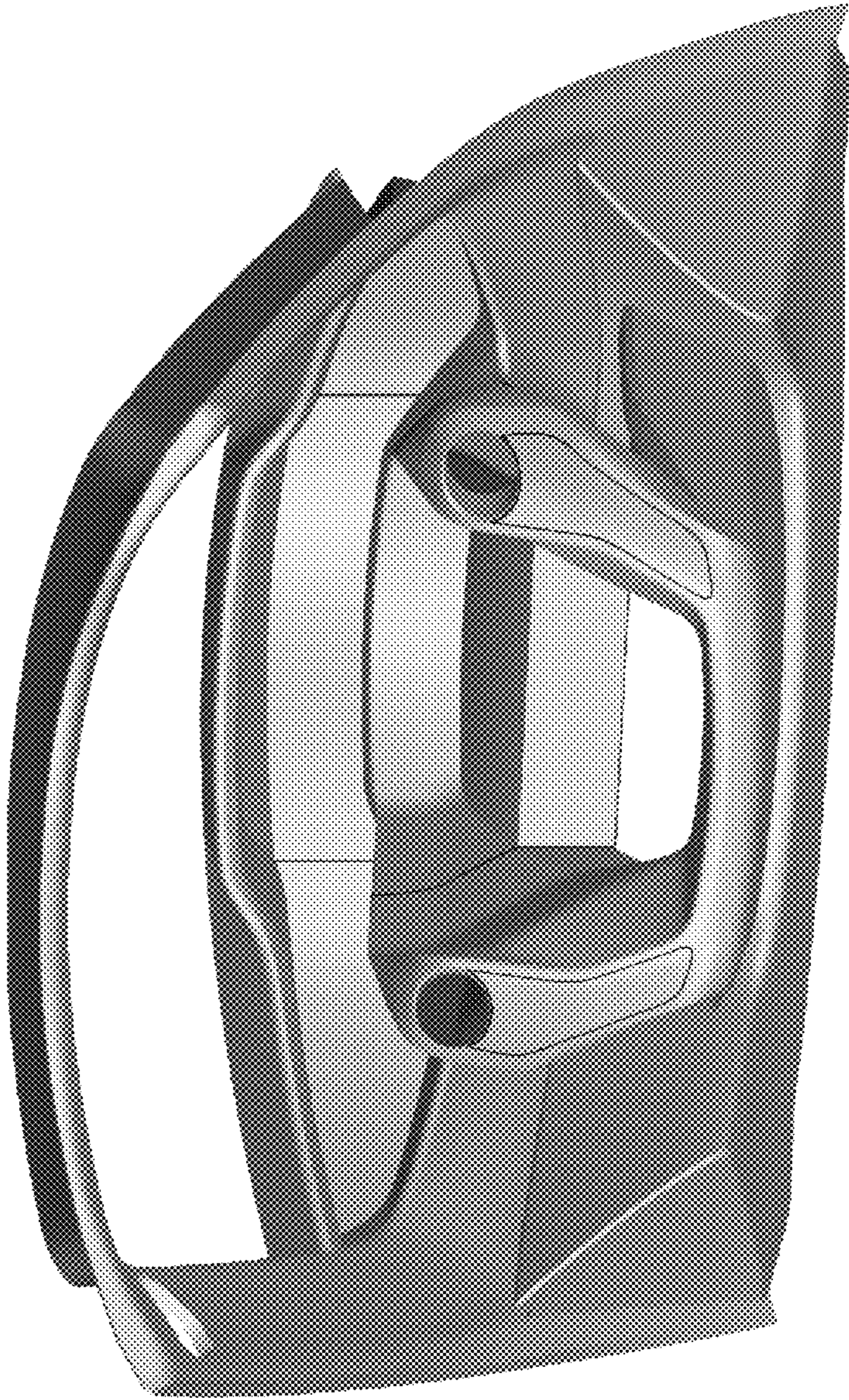


FIG. 7



FIG. 8

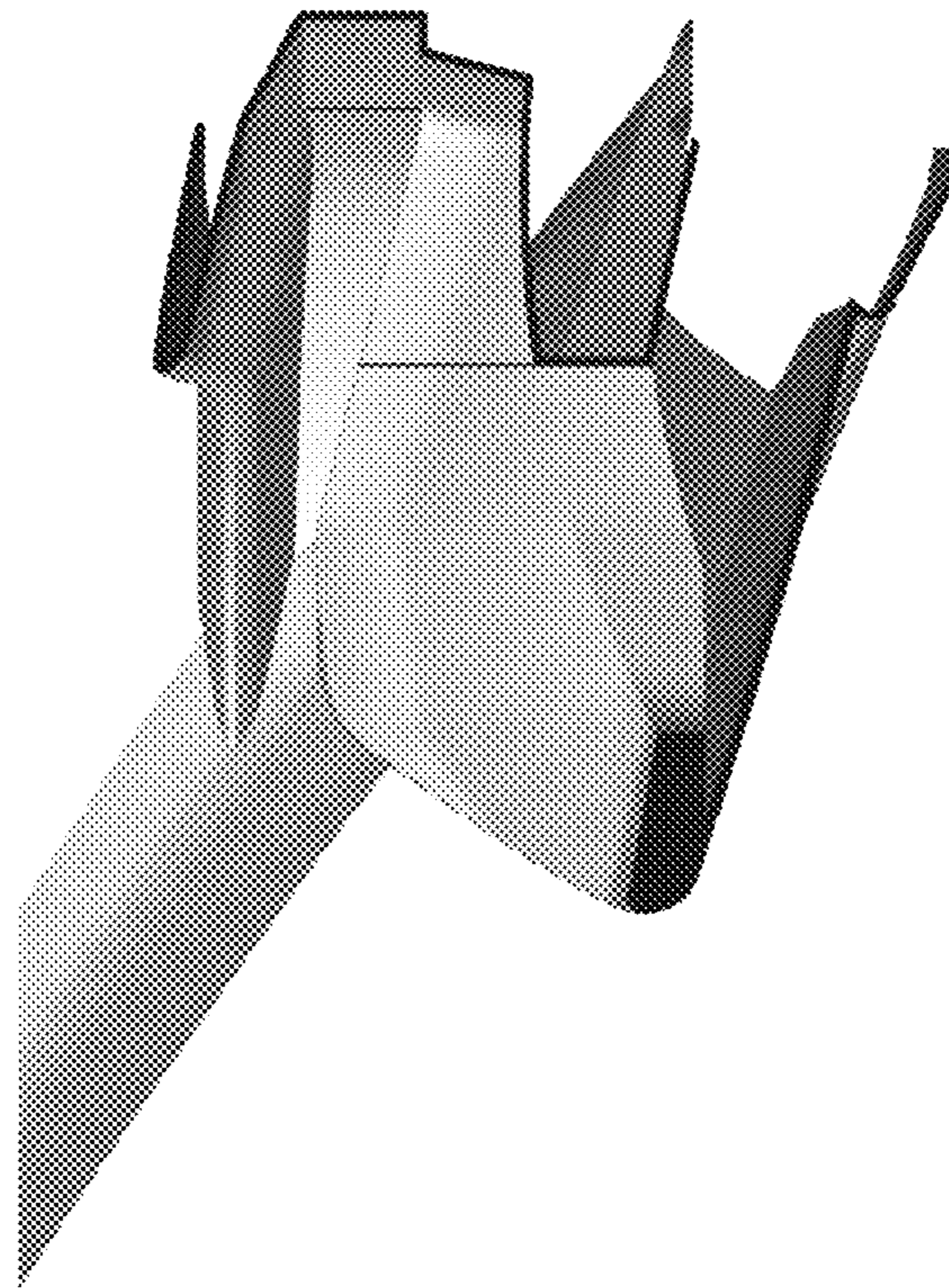


FIG. 9